



US00D435926S

(12) **United States Design Patent**
Huo-Tu

(10) **Patent No.:** **US D435,926 S**

(45) **Date of Patent:** **** Jan. 2, 2001**

(54) **SUPPORT FRAME OF A TABLE LAMP**

(75) **Inventor:** **Huang Huo-Tu**, Taipei Hsien (TW)

(73) **Assignee:** **Huangsite Industrial Co., Ltd.**, Taipei Hsien (TW)

(**) **Term:** **14 Years**

(21) **Appl. No.:** **29/122,818**

(22) **Filed:** **May 4, 2000**

(51) **LOC (7) Cl.** **26-05**

(52) **U.S. Cl.** **D26/63**

(58) **Field of Search** D26/60-66; 362/269, 362/284, 272, 273, 275, 285, 288, 277, 281, 287, 418, 419, 427

(56) **References Cited**

U.S. PATENT DOCUMENTS

- D. 394,913 * 6/1998 Chan D26/65
- D. 398,411 * 9/1998 Yang D26/65

OTHER PUBLICATIONS

Taiwan Lighting, Feb. 1998, p. 107, desk lamp, # T 400-23.*

* cited by examiner

Primary Examiner—Susan J. Lucas

(74) *Attorney, Agent, or Firm*—Bacon & Thomas, PLLC

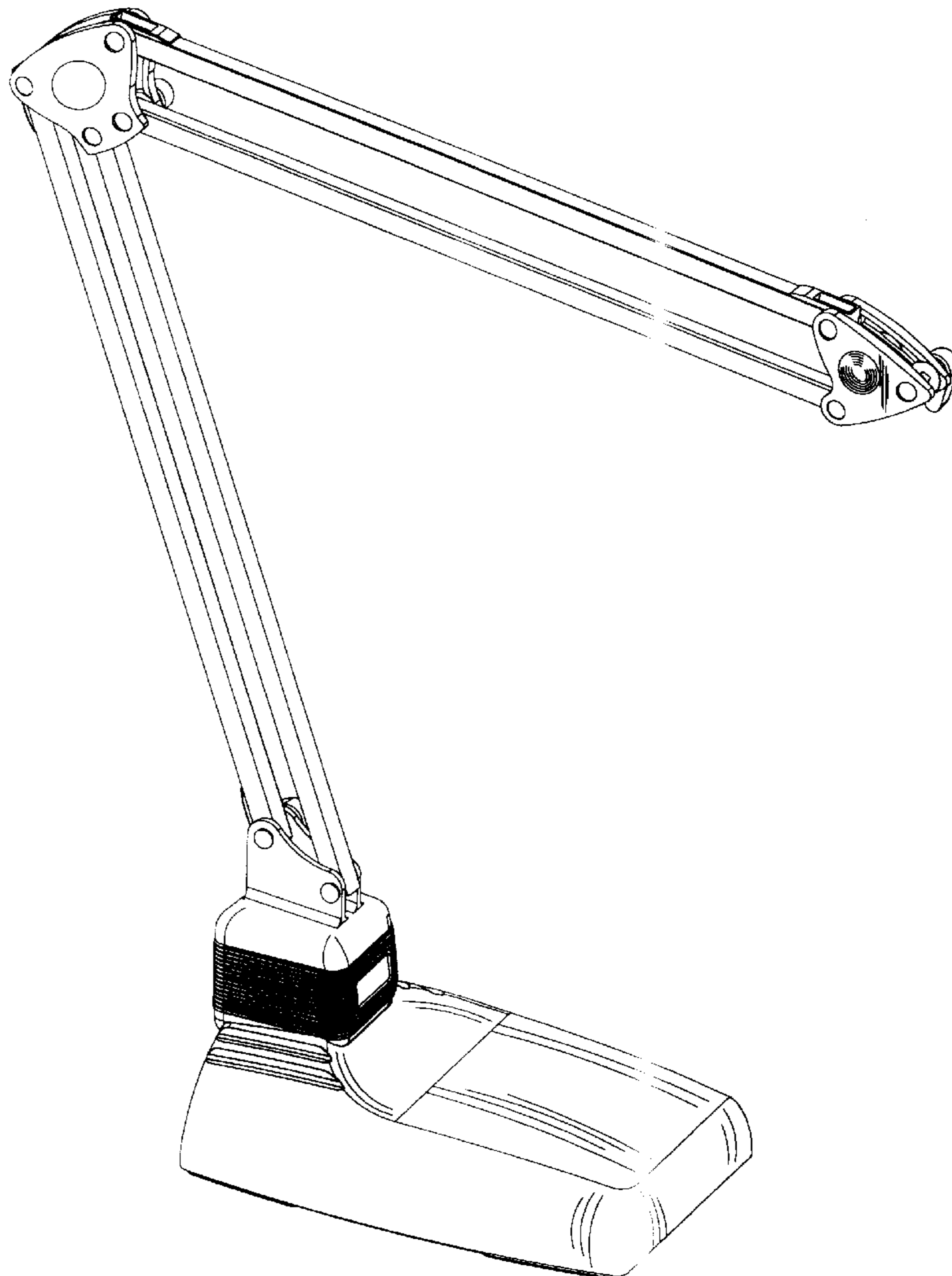
(57) **CLAIM**

The ornamental design for support frame of a table lamp, as shown and described.

DESCRIPTION

FIG. 1. is a top, front right side perspective view thereof; FIG. 2. is a front elevational view thereof; FIG. 3. is a rear elevational view thereof; FIG. 4. is a left elevational view thereof; FIG. 5. is a right elevational view thereof; FIG. 6. is a top plan view thereof; and, FIG. 7. is a bottom plan view thereof.

1 Claim, 7 Drawing Sheets



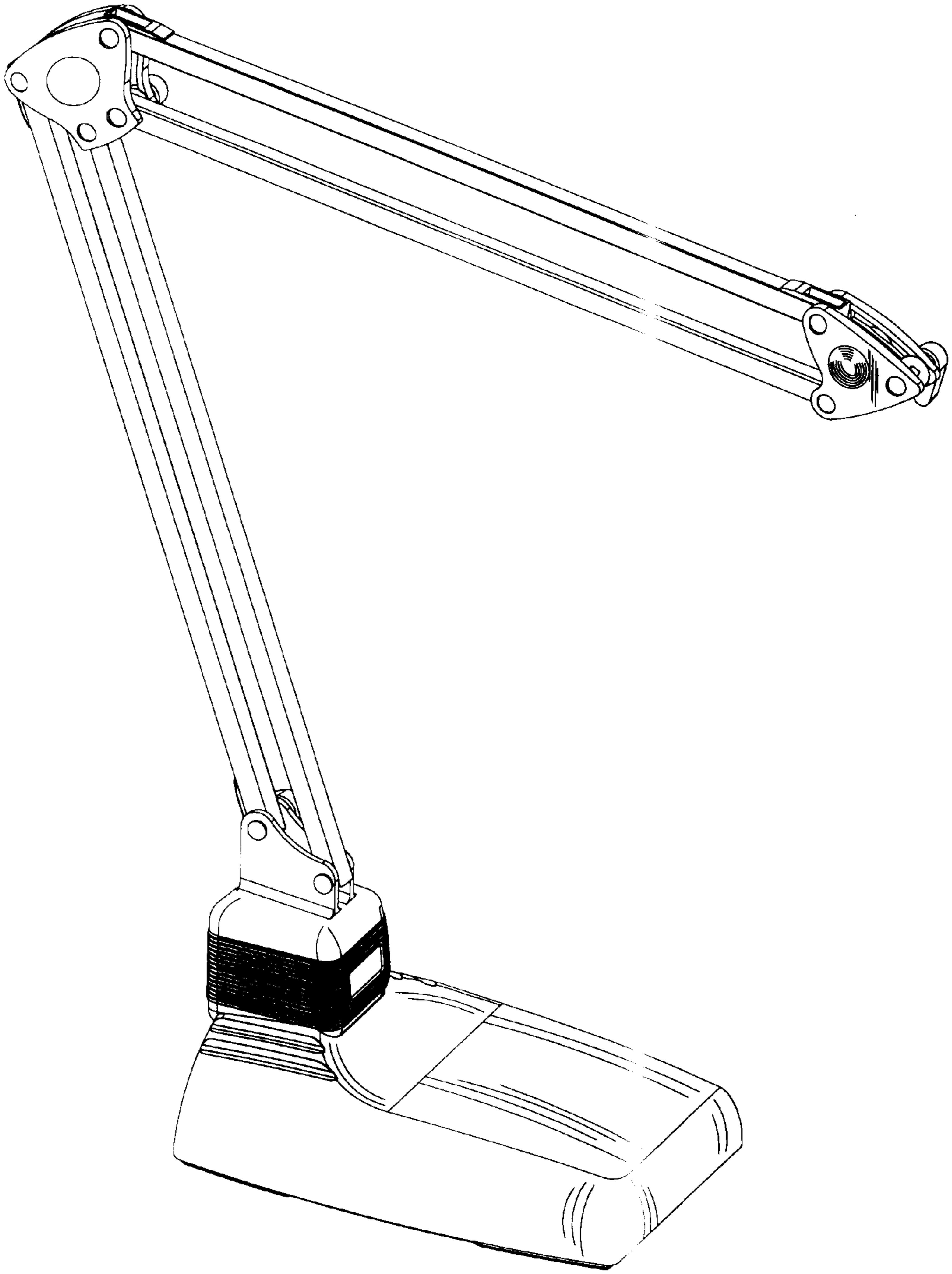


FIG. 1

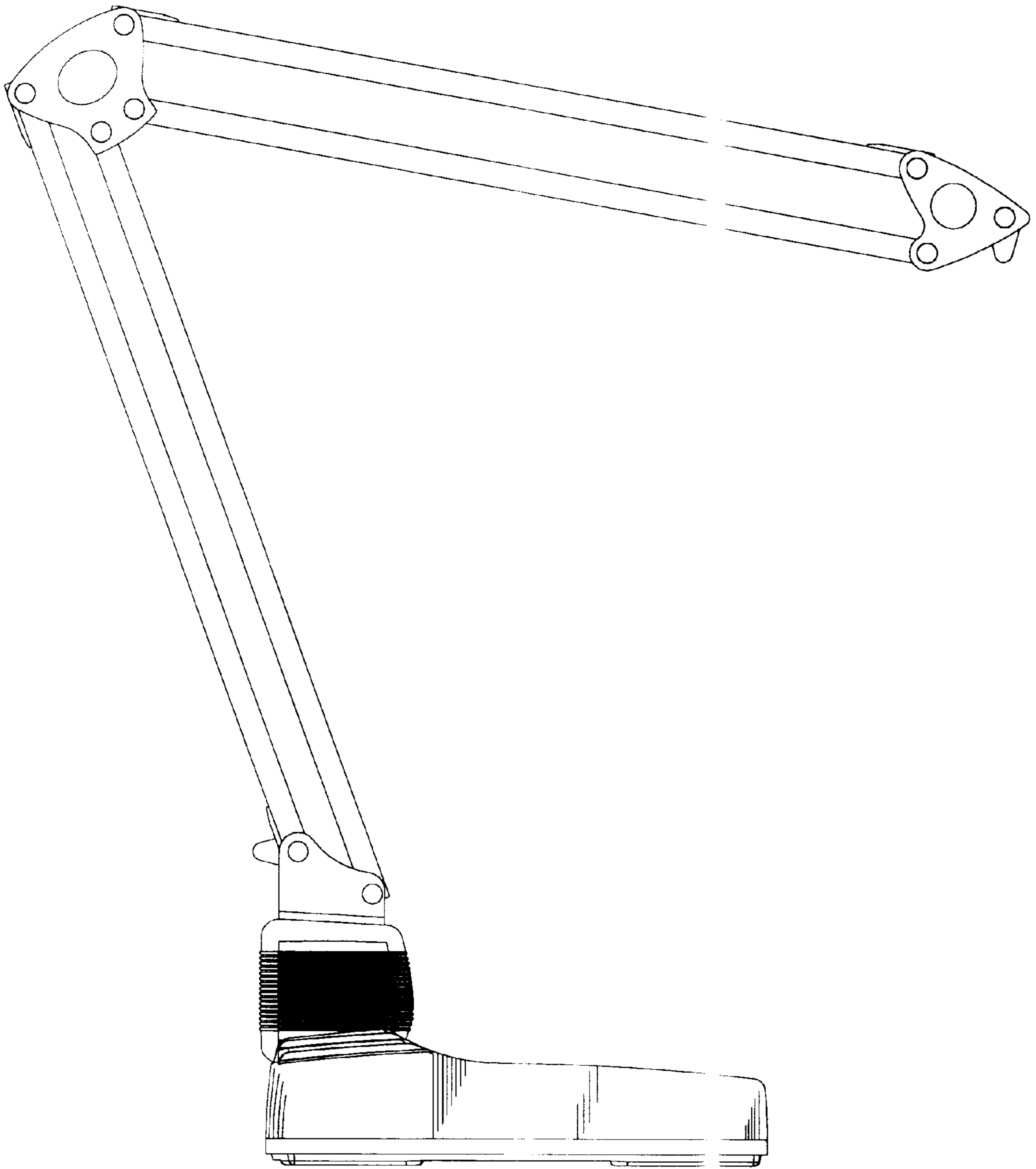


FIG. 2

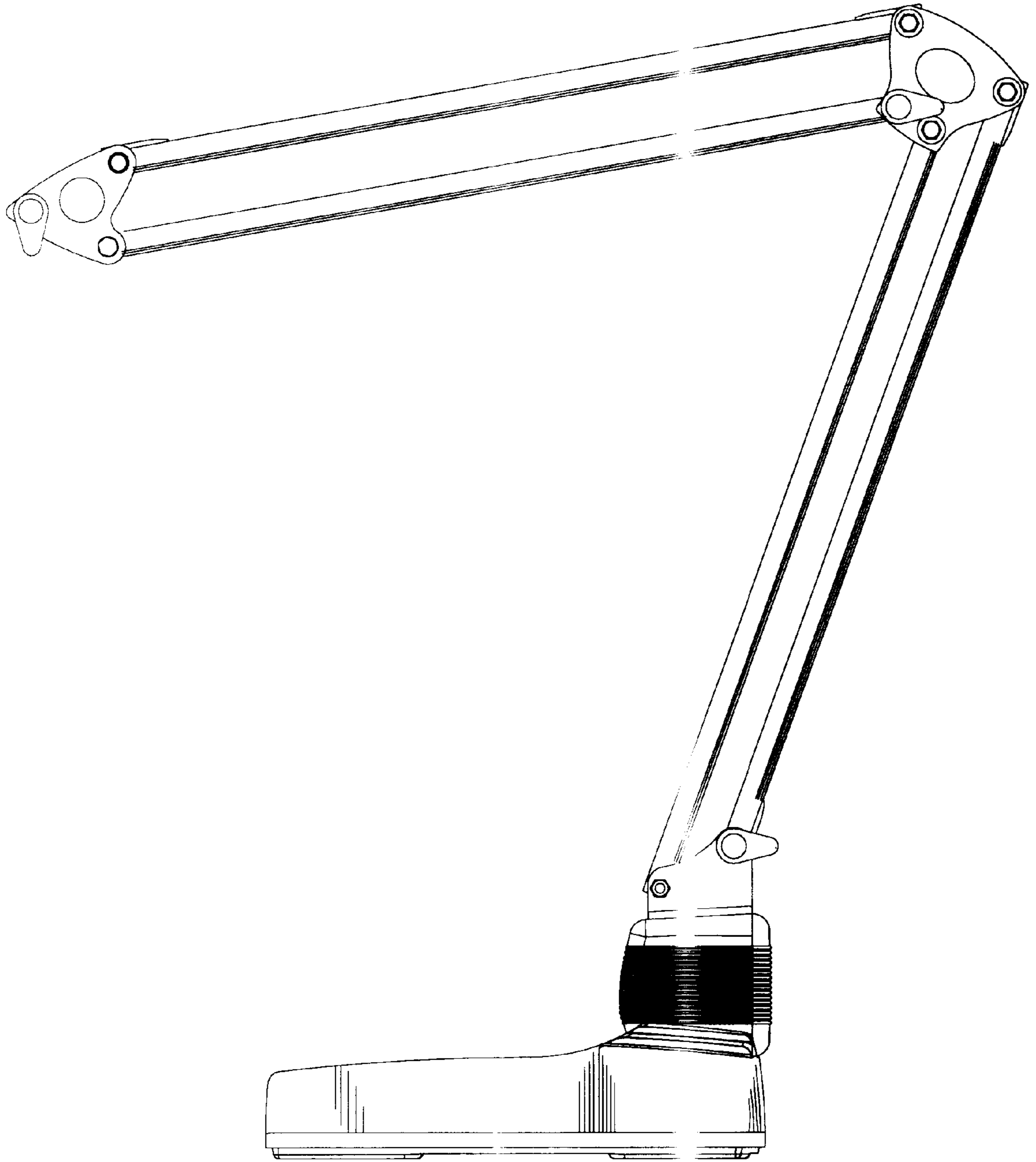


FIG. 3

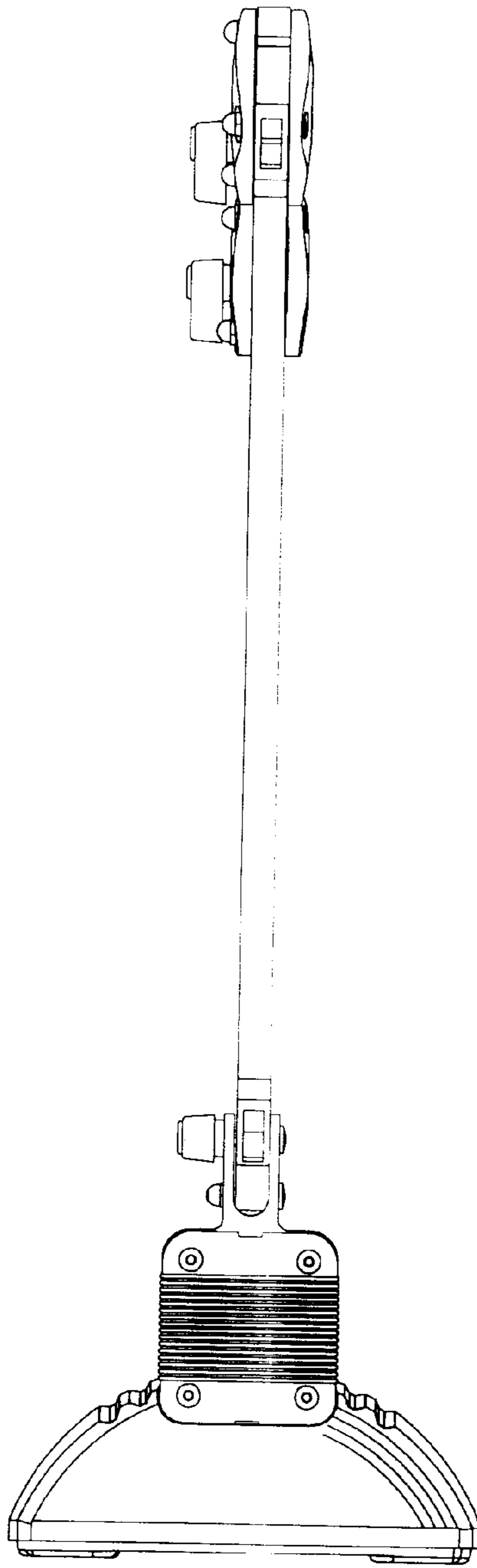


FIG. 4

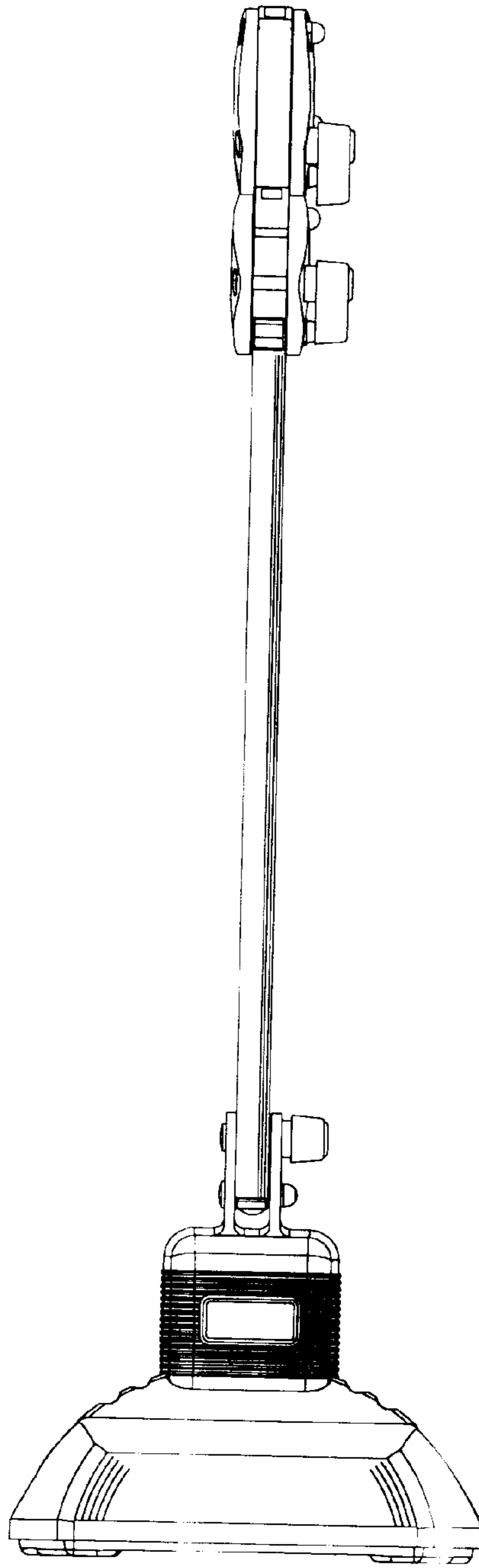


FIG. 5

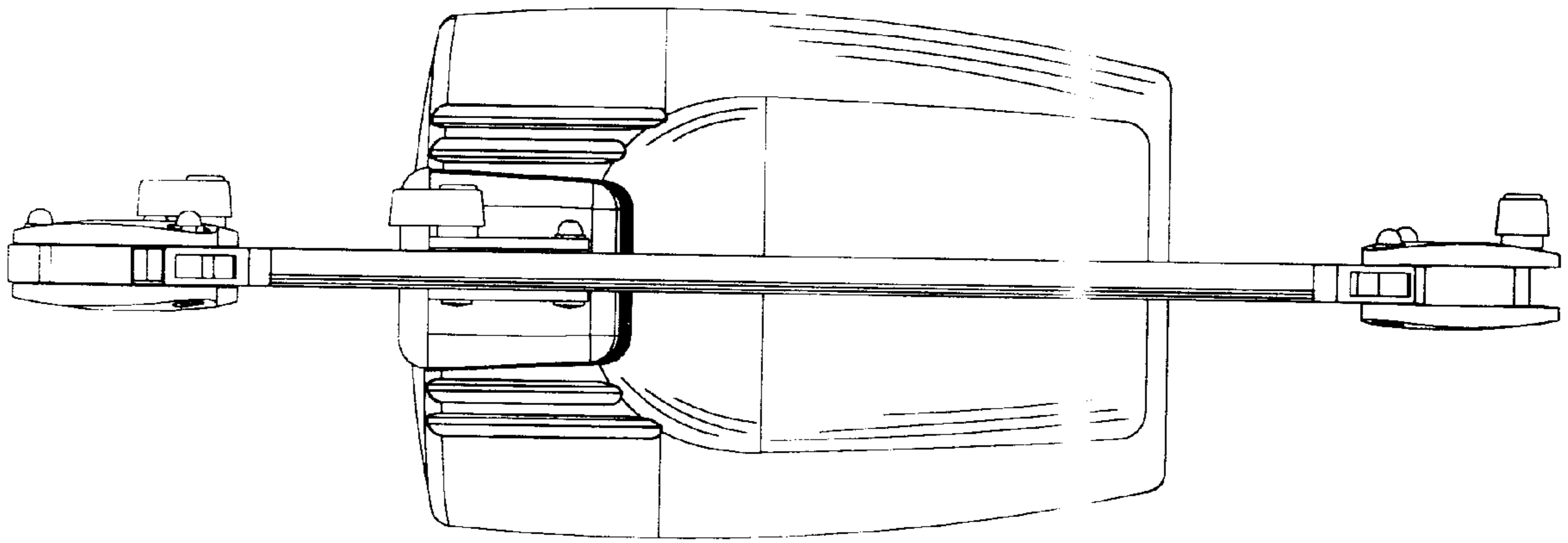


FIG. 6

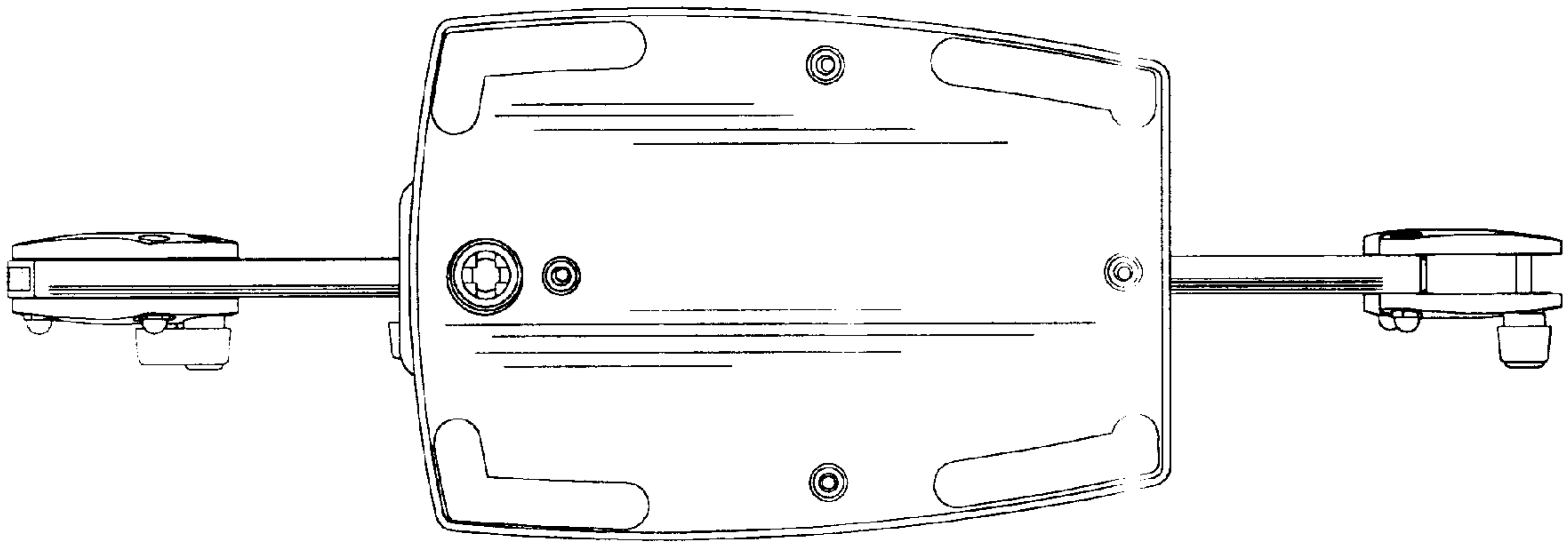


FIG. 7