



US00D435925S

(12) **United States Design Patent**
Hiller et al.

(10) **Patent No.:** **US D435,925 S**

(45) **Date of Patent:** **** Jan. 2, 2001**

(54) **LAMP COVER**

Progressive Architecture, Mar. 1985, p. 49.*

(75) Inventors: **Raymond J. Hiller**, Chapel Hill;
Michael Drake, Stoney Creek, both of
NC (US)

* cited by examiner

(73) Assignee: **Regent Lighting Corp.**, Burlington,
NC (US)

Primary Examiner—Susan J. Lucas

(74) *Attorney, Agent, or Firm*—Niro, Scavone, Haller +
Niro

(**) Term: **14 Years**

(57) **CLAIM**

We claim the ornamental design for a lamp cover, as shown
and described.

(21) Appl. No.: **29/111,552**

(22) Filed: **Sep. 30, 1999**

DESCRIPTION

(51) **LOC (7) Cl.** **26-05**

(52) **U.S. Cl.** **D26/63**

(58) **Field of Search** D26/60–66; 362/267,
362/269, 271, 272, 282, 287, 418, 419,
427

FIG. 1 is a perspective view taken from the left side of the
new design;

FIG. 2 is a top plan view thereof;

FIG. 3 is a front view thereof;

FIG. 4 is a side view thereof;

FIG. 5 is a rear view thereof; and,

FIG. 6 is a bottom plan view thereof.

The broken lines are shown for illustrative purposes only
and form no part of the claimed design.

(56) **References Cited**

U.S. PATENT DOCUMENTS

D. 347,485 * 5/1994 Kira D26/63 X

OTHER PUBLICATIONS

GE Miser™ ad deluxe HPS Floodlight, spotlight, top,
right.*

1 Claim, 1 Drawing Sheet

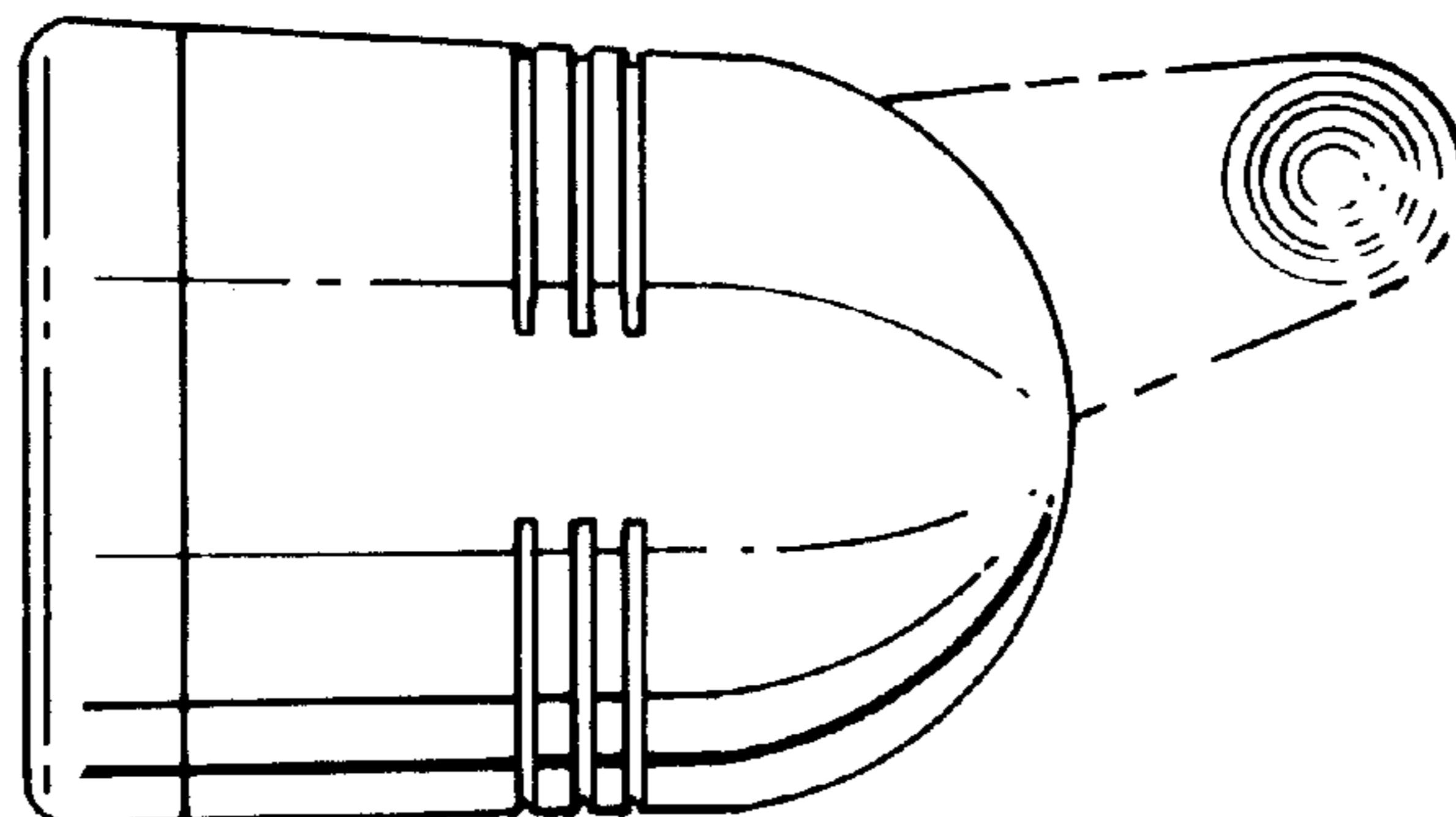
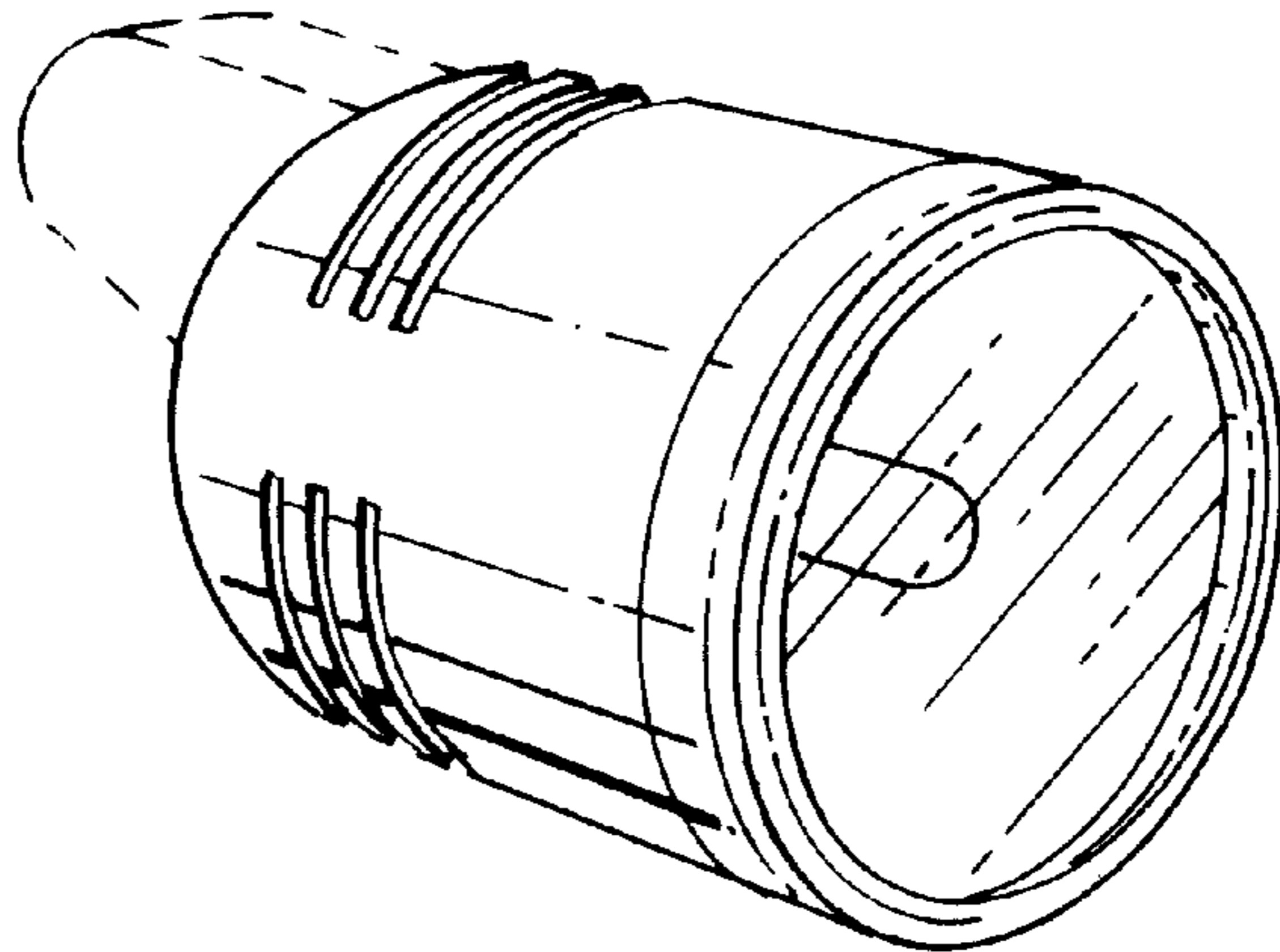


FIG. 1

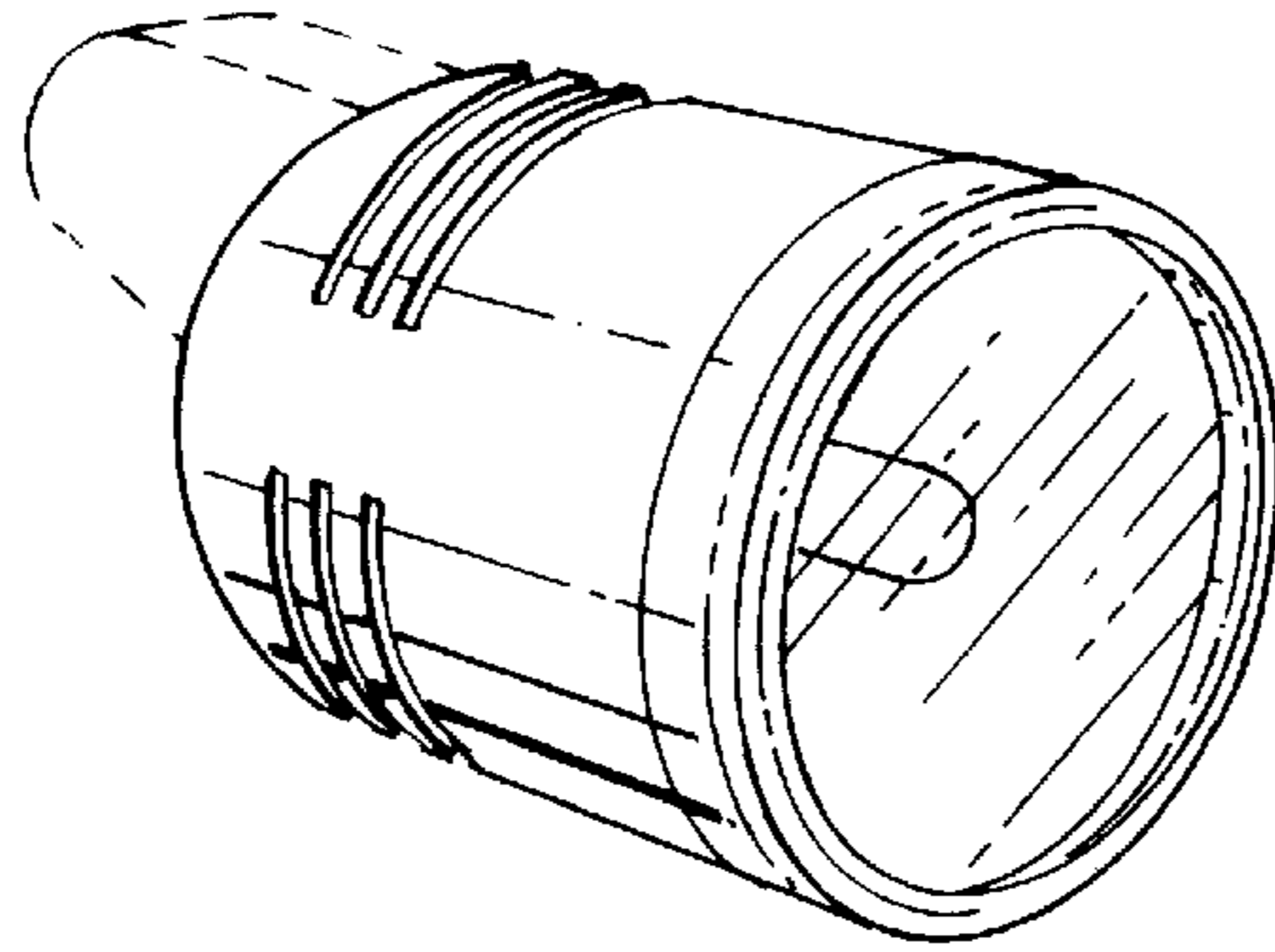


FIG. 2

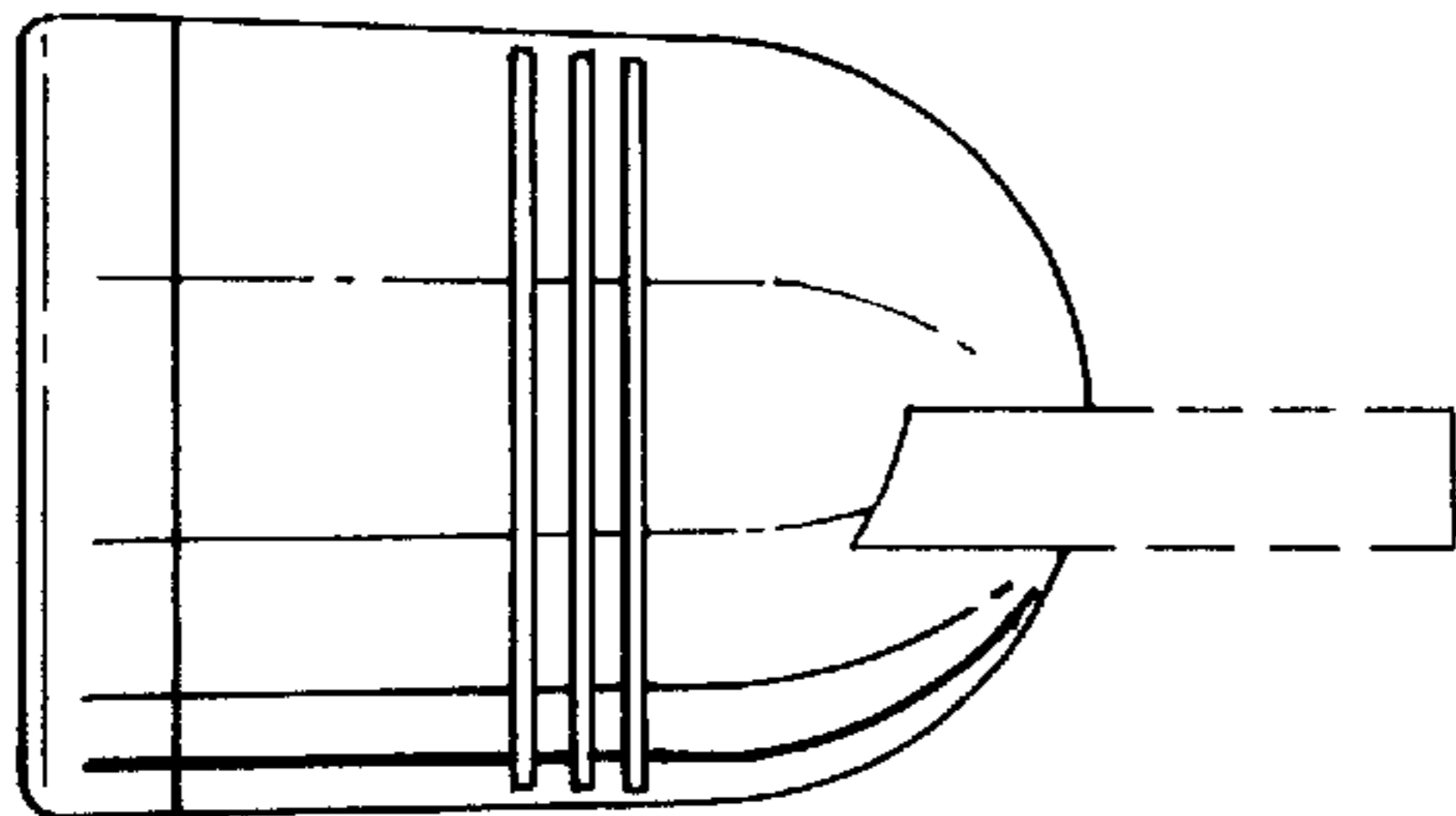


FIG. 3

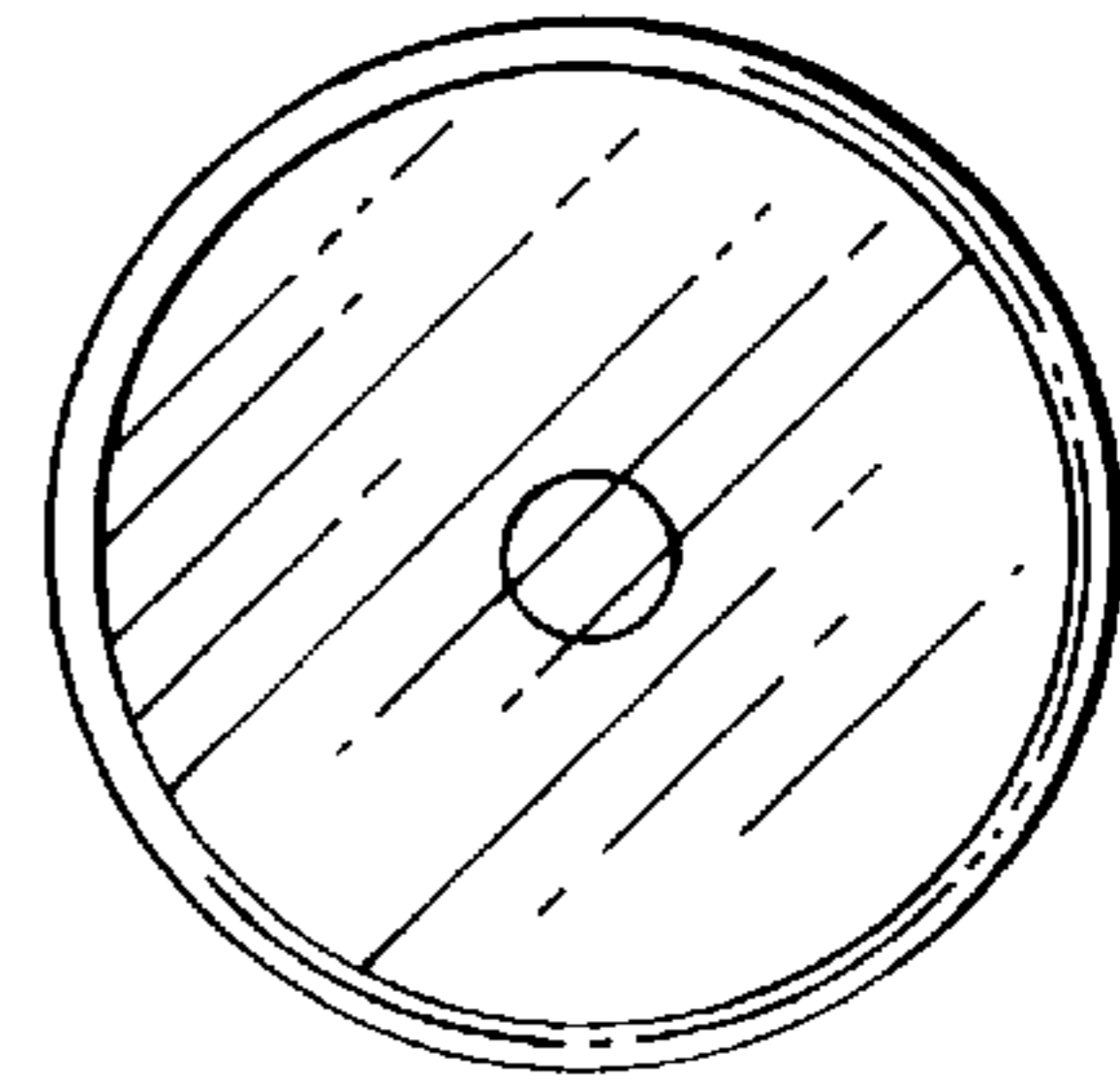


FIG. 4

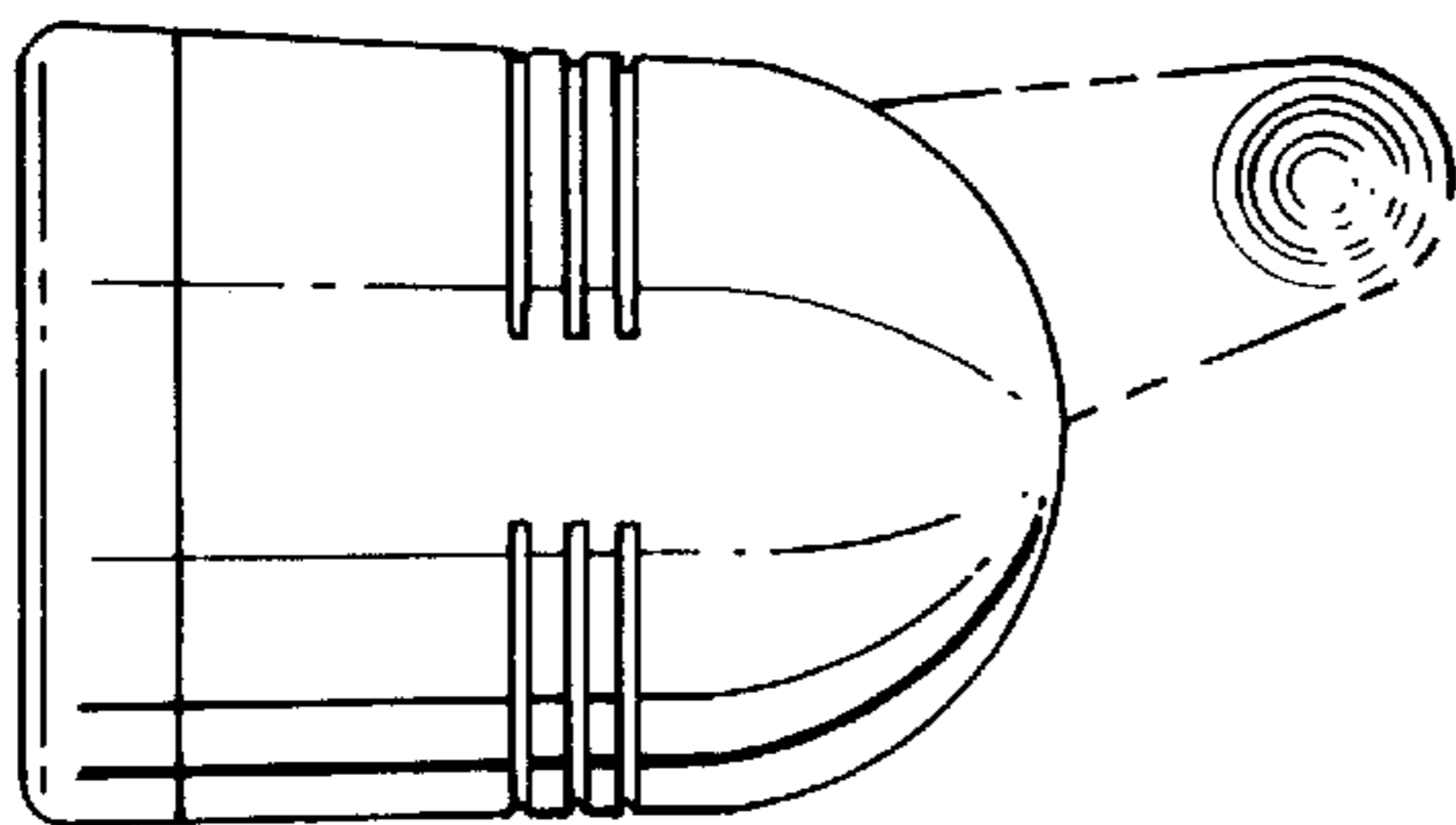


FIG. 5

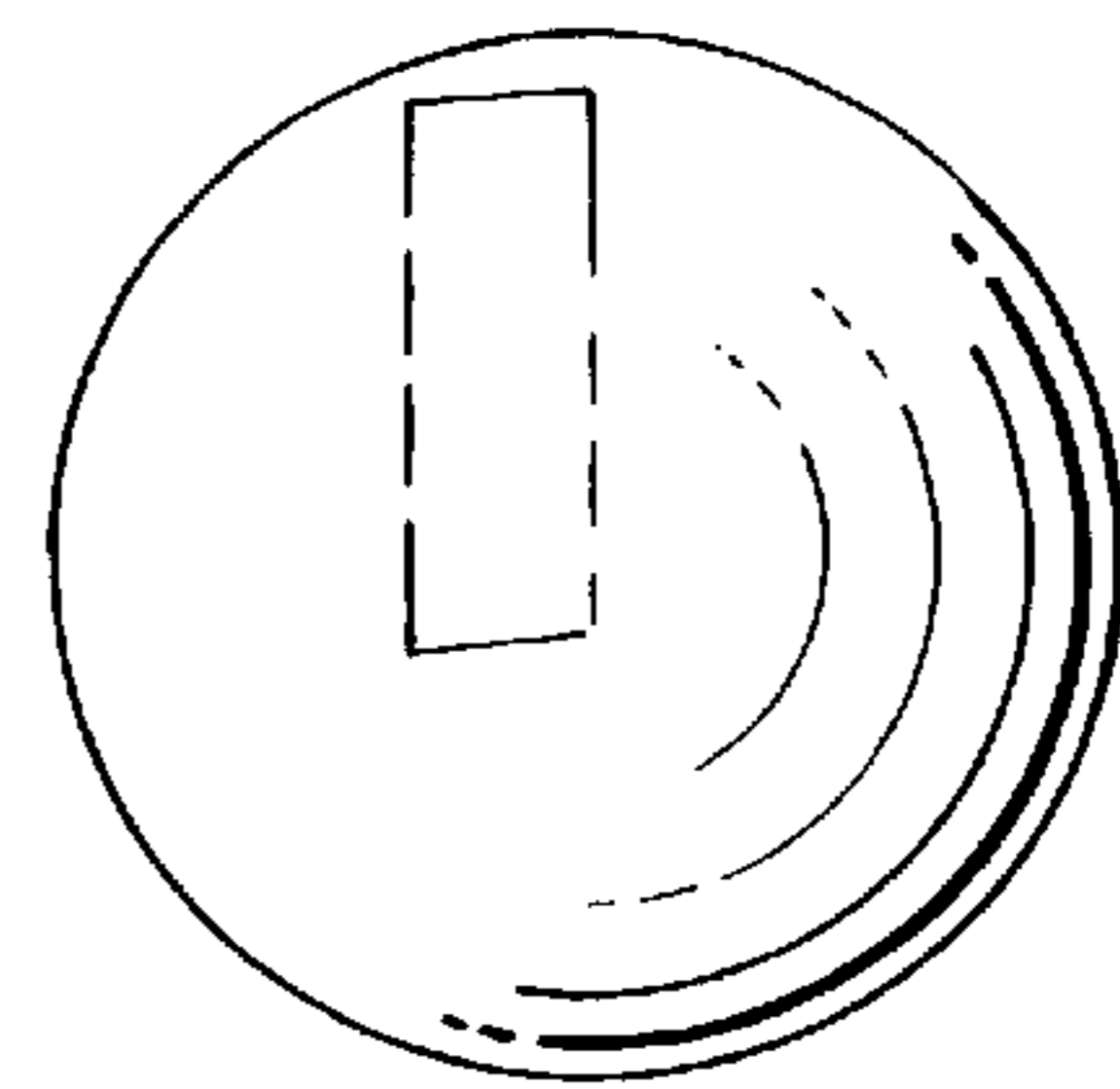


FIG. 6

