



US00D435924S

(12) **United States Design Patent**
Hiller et al.

(10) **Patent No.:** **US D435,924 S**

(45) **Date of Patent:** **** Jan. 2, 2001**

(54) **OUTDOOR LAMP**

D. 399,022 * 9/1998 Jensen et al. D26/63 X
D. 408,570 * 4/1999 Bird D26/63

(75) Inventors: **Raymond J. Hiller**, Chapel Hill;
Michael Drake, Stoney Creek, both of
NC (US)

* cited by examiner

(73) Assignee: **Regent Lighting Corporation**,
Burlington, NC (US)

Primary Examiner—Susan J. Lucas

(74) *Attorney, Agent, or Firm*—Niro, Scavone, Haller &
Niro

(**) Term: **14 Years**

(57) **CLAIM**

(21) Appl. No.: **29/110,265**

We claim the ornamental design for an outdoor lamp, as
shown and described.

(22) Filed: **Sep. 1, 1999**

(51) **LOC (7) Cl.** **26-05**

(52) **U.S. Cl.** **D26/63**

(58) **Field of Search** D26/60–66; 362/269,
362/275, 272, 277, 282, 418, 419, 427

DESCRIPTION

FIG. 1 is a perspective view taken from the left side of the
new design;

FIG. 2 is a side elevational view thereof; and,

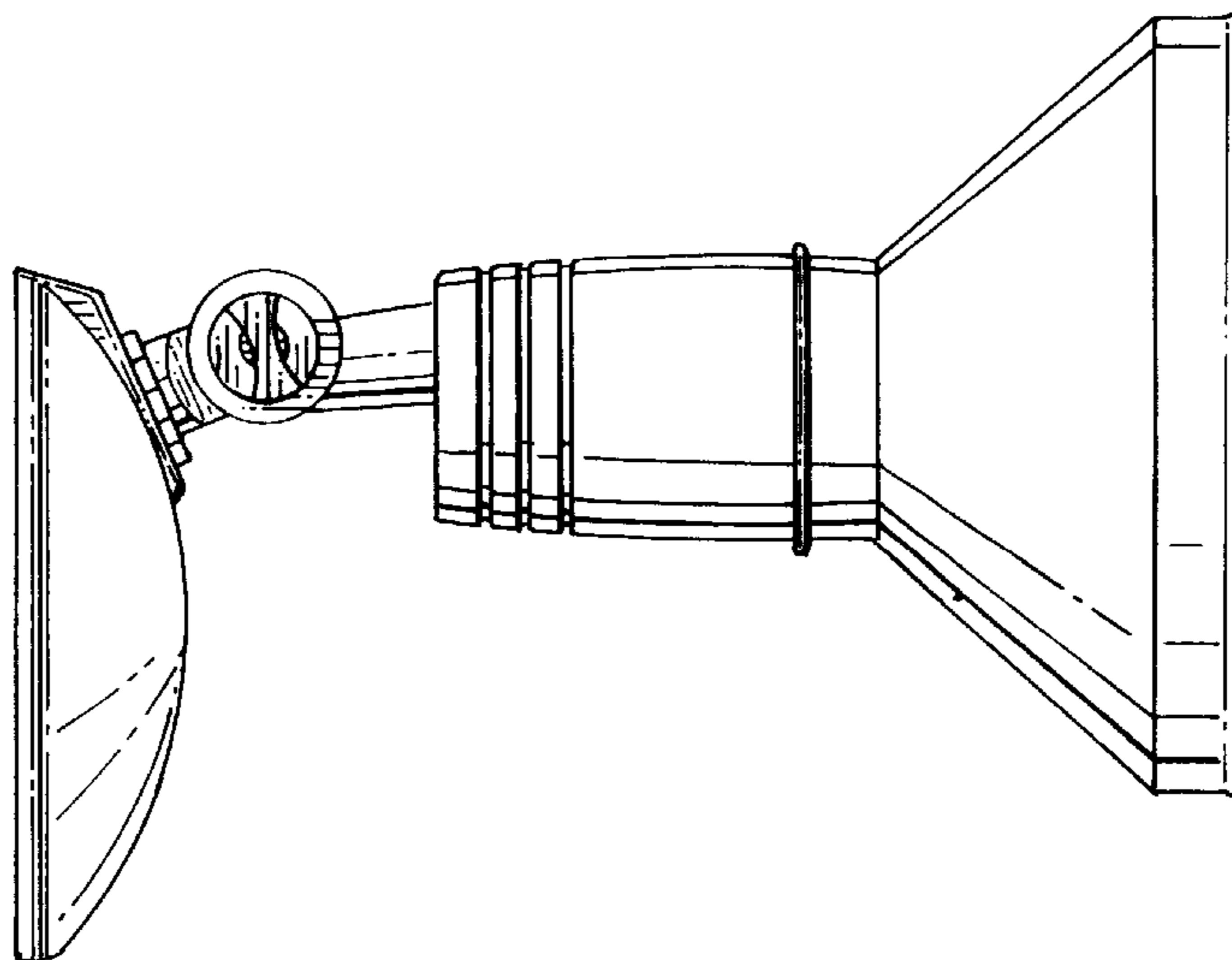
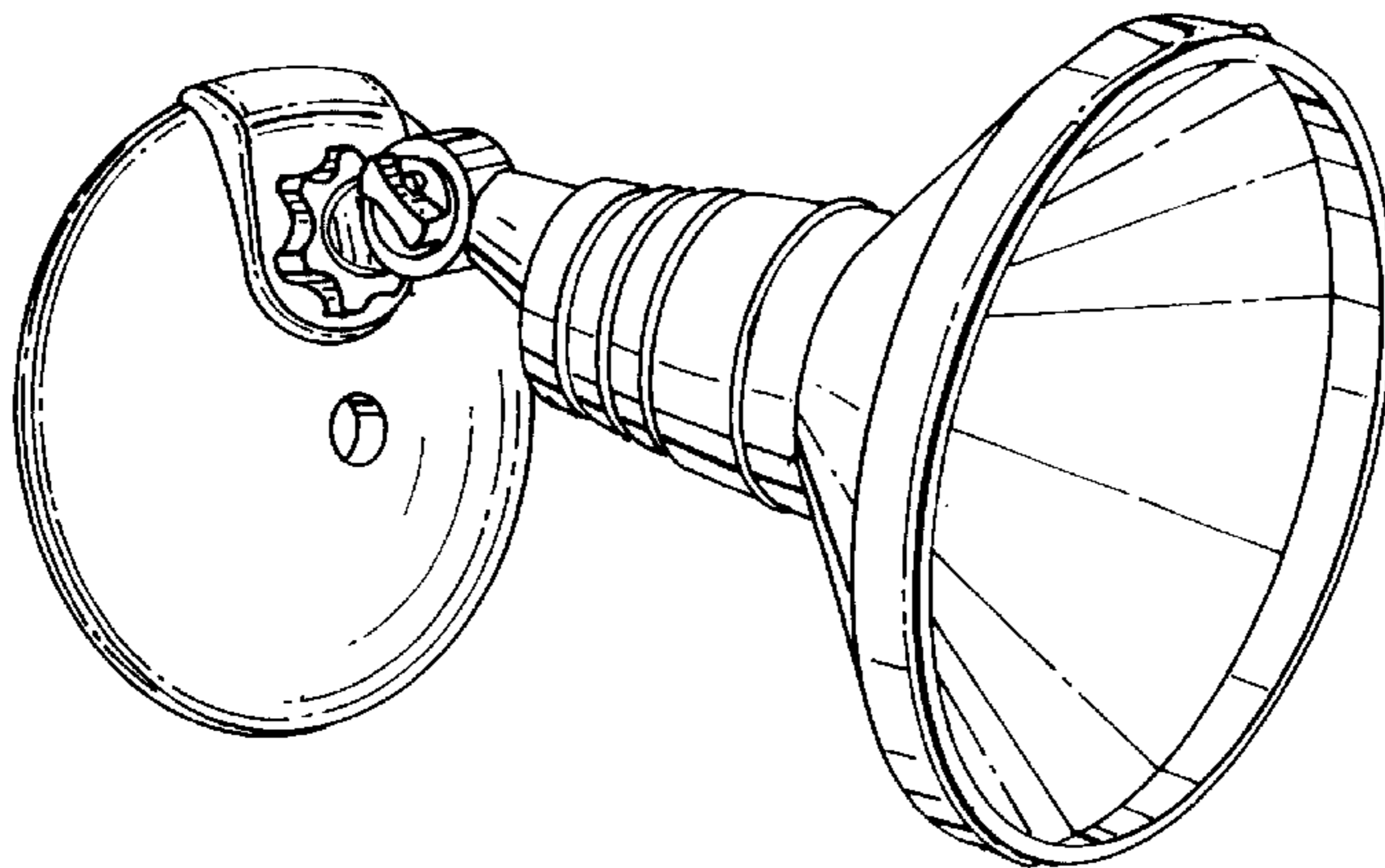
FIG. 3 is a front plan view thereof.

(56) **References Cited**

U.S. PATENT DOCUMENTS

D. 392,406 * 3/1998 Morrow et al. D26/65

1 Claim, 1 Drawing Sheet



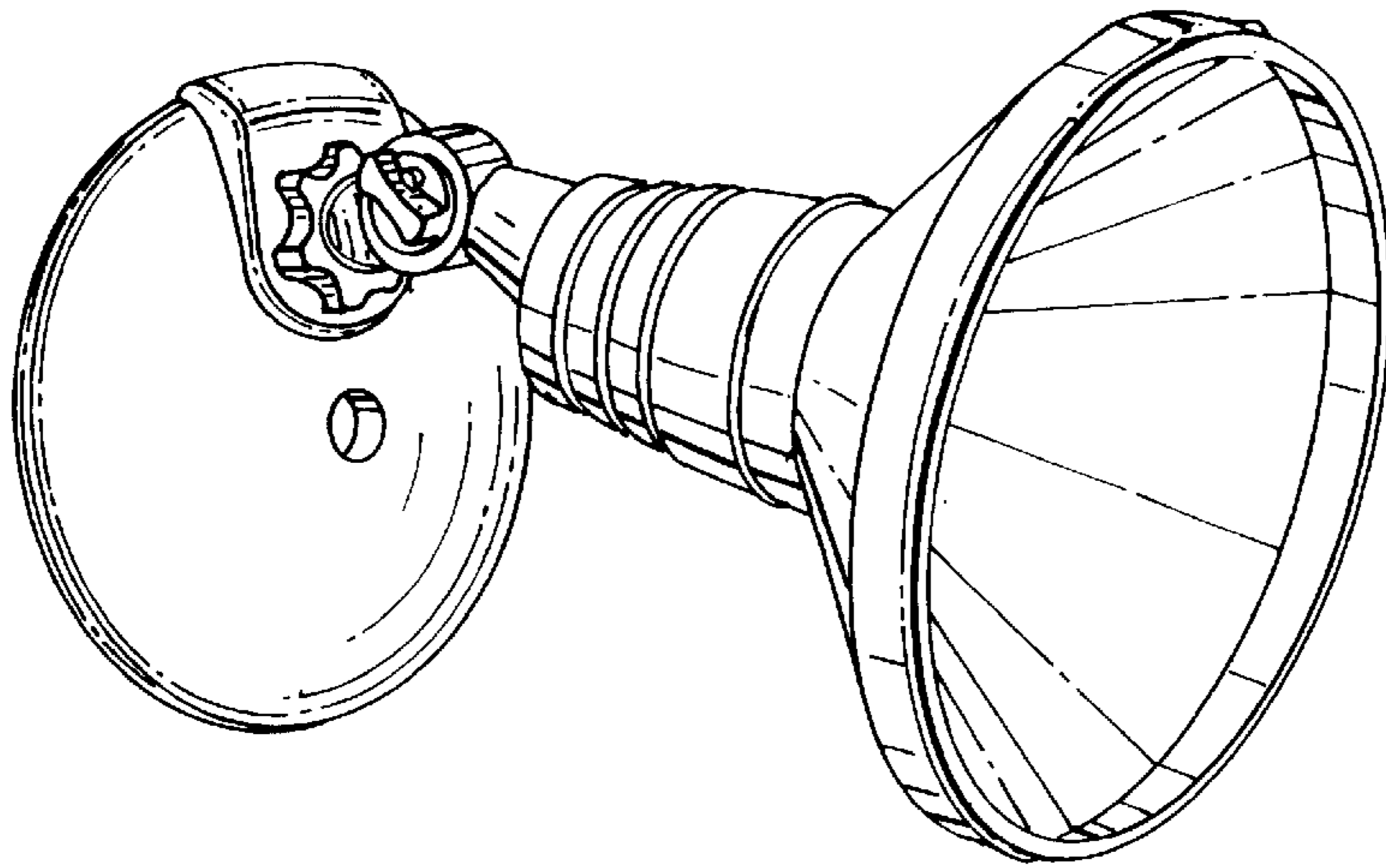


FIG. 1

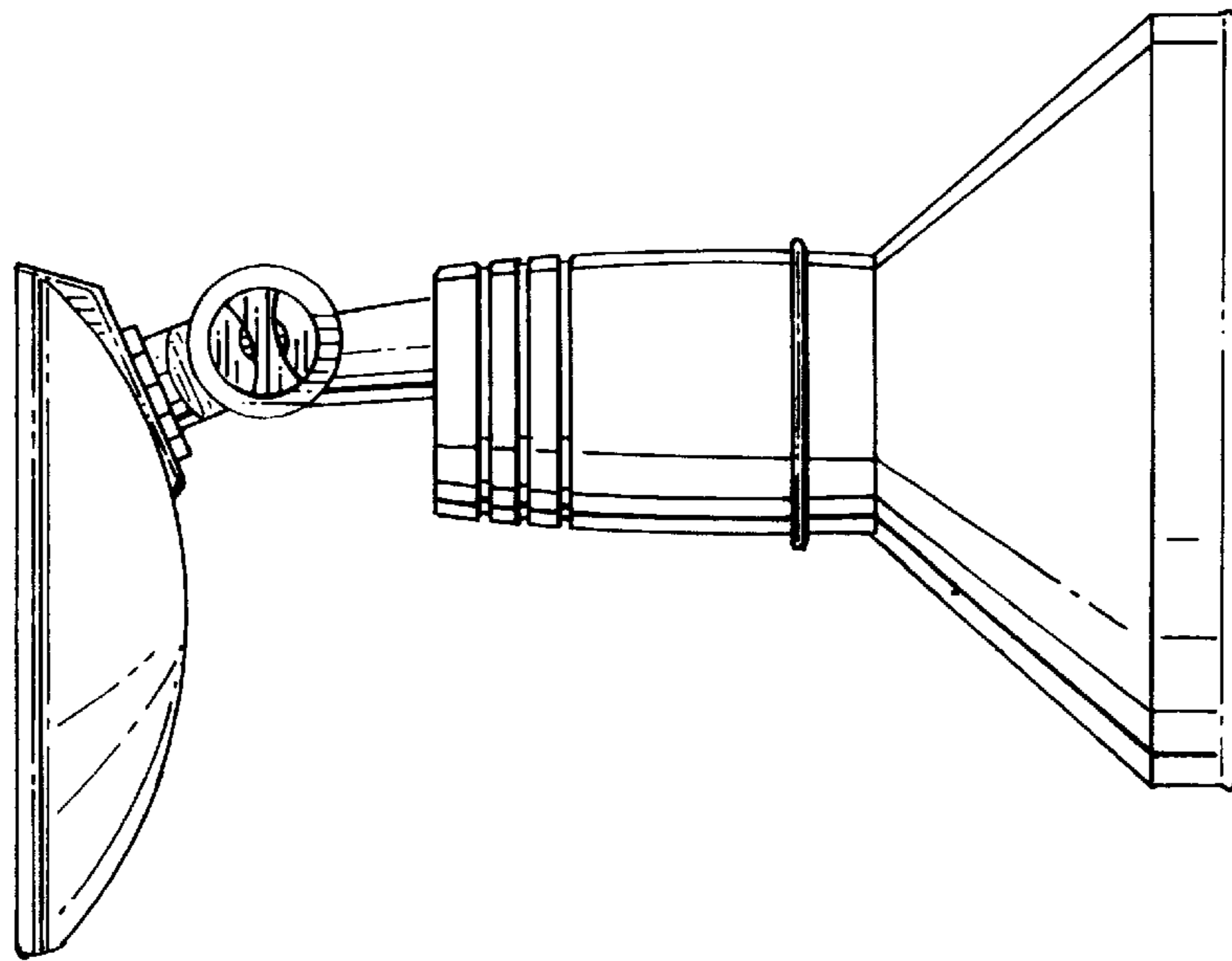


FIG. 2

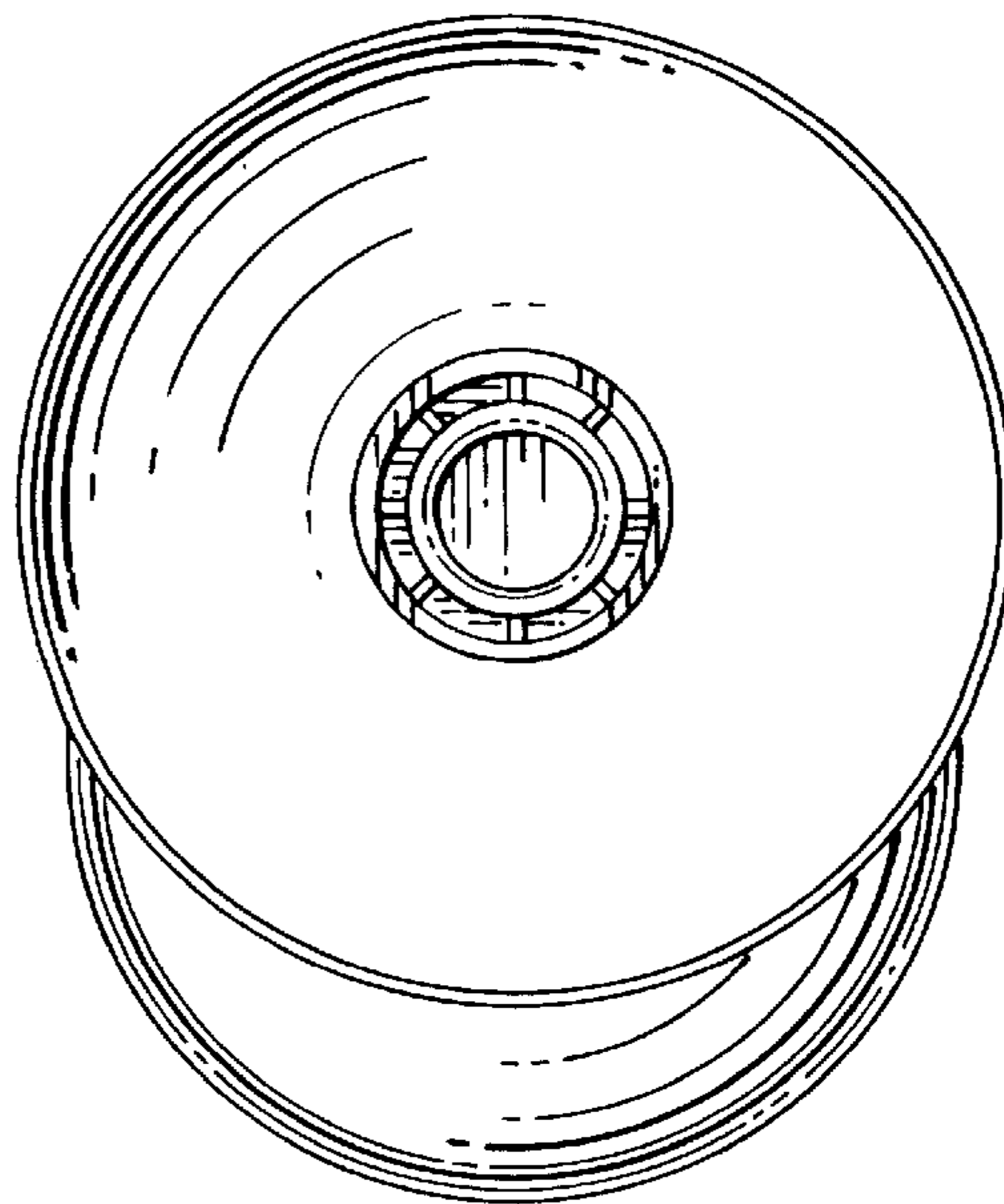


FIG. 3