



US00D435923S

(12) **United States Design Patent**
Hiller et al.

(10) **Patent No.:** **US D435,923 S**

(45) **Date of Patent:** **** Jan. 2, 2001**

(54) **OUTDOOR LAMP**

5,258,899 * 11/1993 Chen 362/394
5,381,323 * 1/1995 Osteen et al. 362/276

(75) Inventors: **Raymond J. Hiller**, Chapel Hill;
Michael Drake, Stoney Creek, both of
NC (US)

OTHER PUBLICATIONS

Koch + Lowry track light catalog, May 1978, p. 2, track light
J-701.*

(73) Assignee: **Regent Lighting Corporation**,
Burlington, NC (US)

* cited by examiner

(**) Term: **14 Years**

Primary Examiner—Susan J. Lucas

(21) Appl. No.: **29/110,234**

(74) *Attorney, Agent, or Firm*—Niro, Scavone, Haller &
Niro

(22) Filed: **Sep. 1, 1999**

(57) **CLAIM**

(51) **LOC (7) Cl.** **26-05**

We claim the ornamental design for an outdoor lamp, as
shown and described.

(52) **U.S. Cl.** **D26/63; D10/106**

DESCRIPTION

(58) **Field of Search** D26/16-60, 118;
362/267, 271, 272, 275, 276, 288, 427,
428, 429, 418, 419, 287, 394; D10/106

FIG. 1 is a perspective view taken from the left side of the
design, it being understood that the outdoor lamp is sym-
metrical;

(56) **References Cited**

FIG. 2 is a front plan view thereof; and,
FIG. 3 is a side elevational view thereof.

U.S. PATENT DOCUMENTS

D. 360,960 * 8/1995 Wedall D26/63

1 Claim, 1 Drawing Sheet

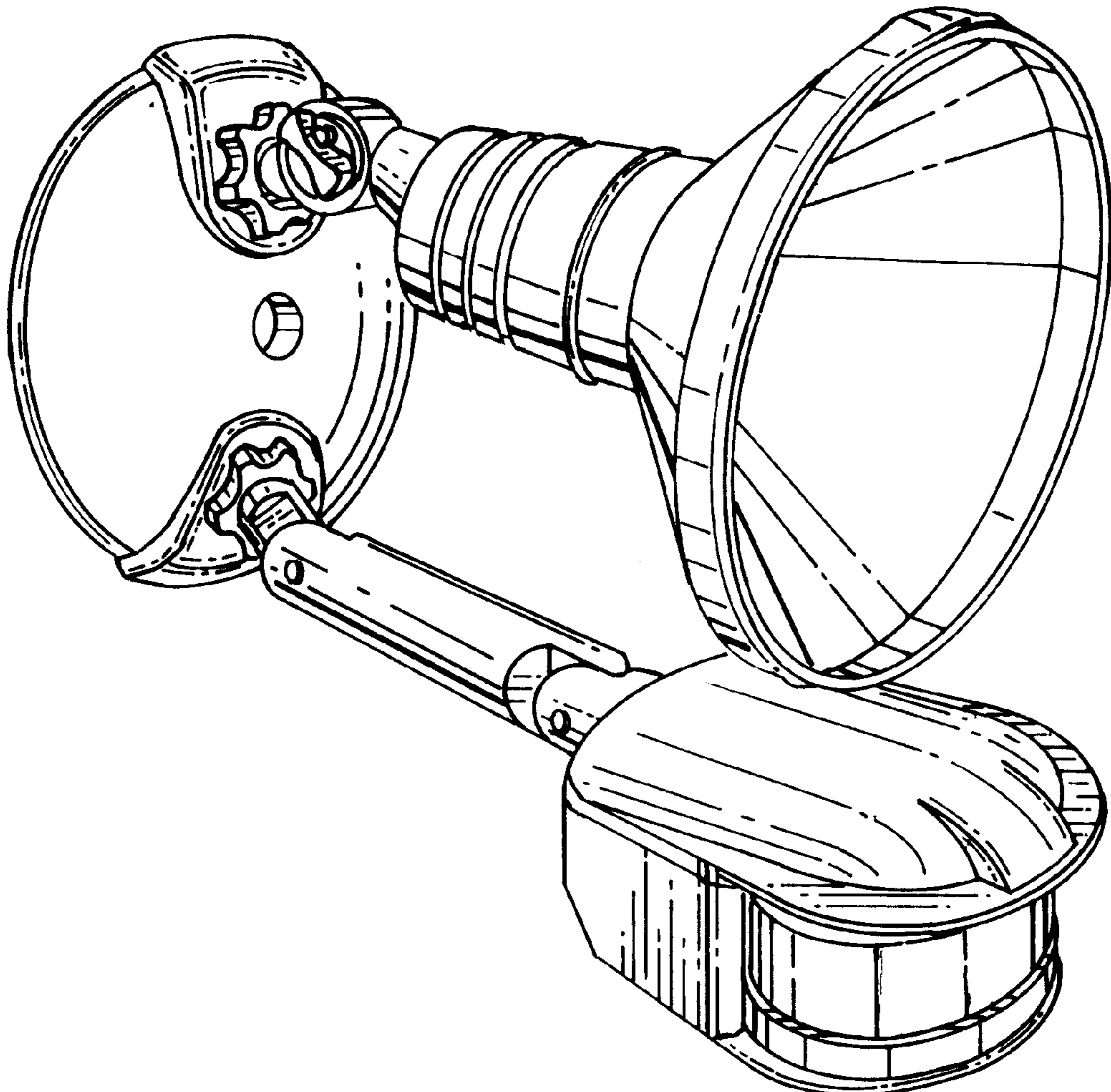


FIG. 1

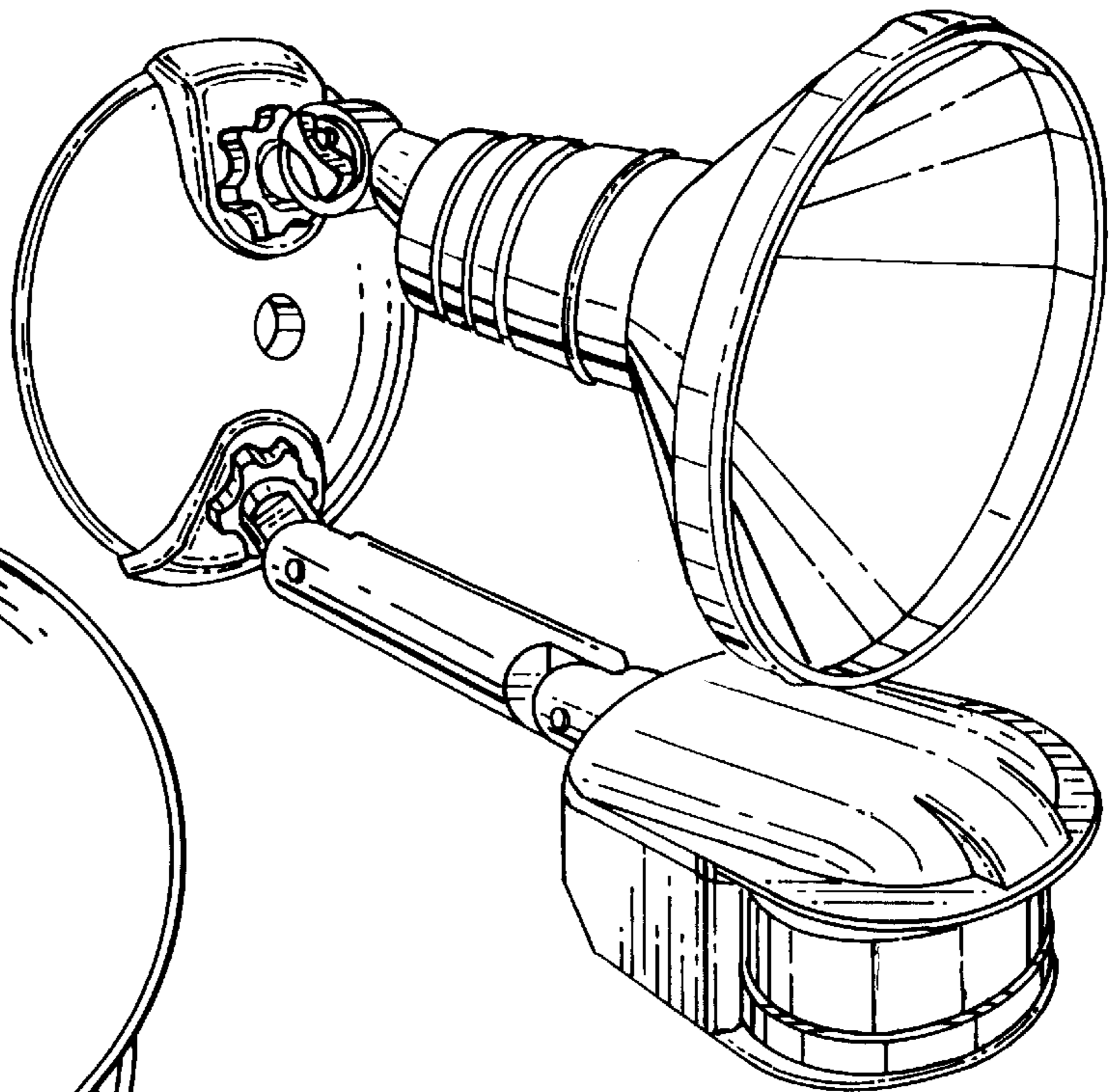


FIG. 2

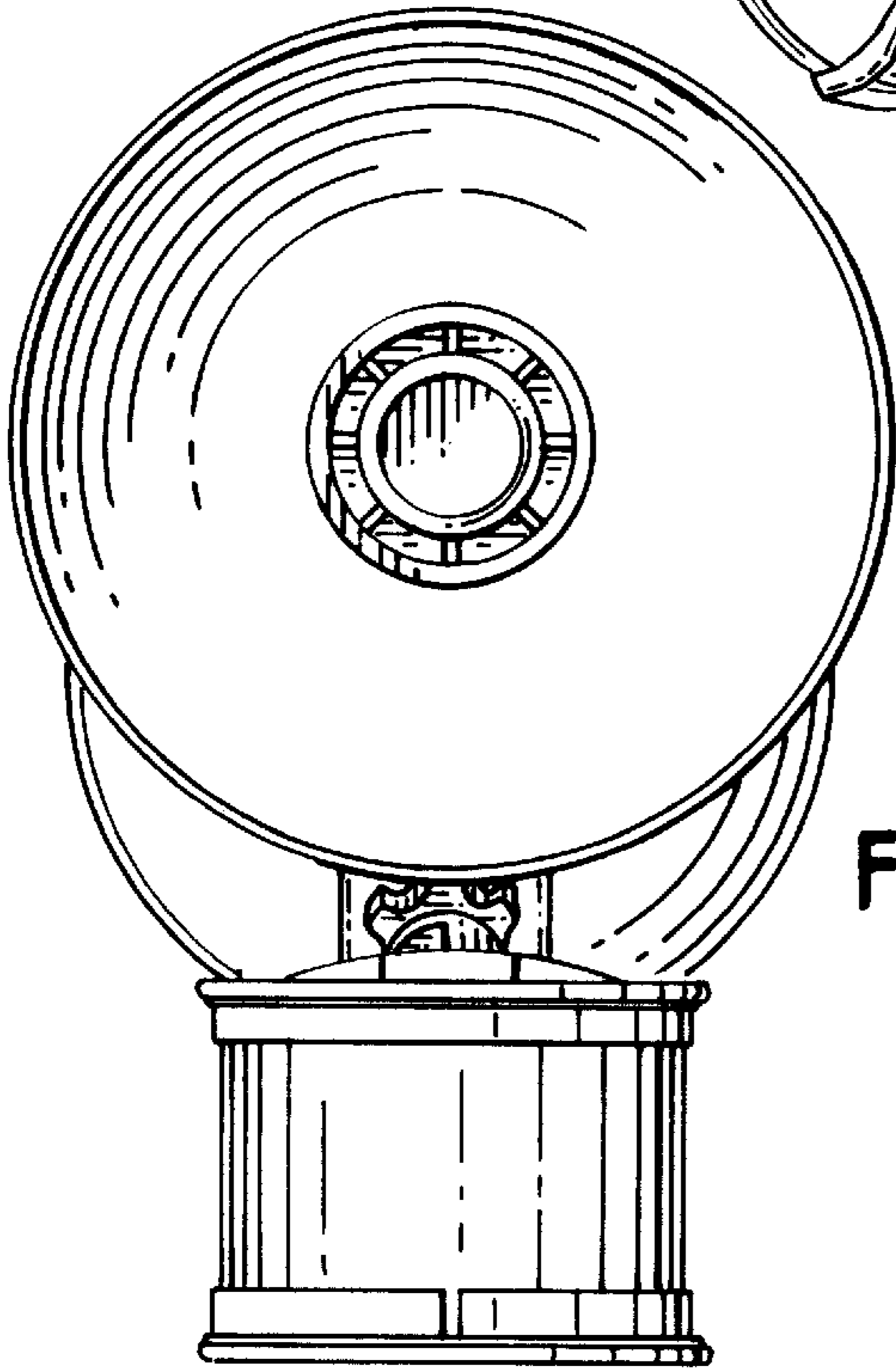


FIG. 3

