



US00D435922S

(12) **United States Design Patent**  
**Shing**

(10) **Patent No.:** **US D435,922 S**

(45) **Date of Patent:** **\*\* Jan. 2, 2001**

(54) **MULTI PURPOSE LIGHT**

(75) Inventor: **Shiu Shing**, Kowloon (HK)

(73) Assignee: **Favour Light Enterprises Ltd.** (HK)

(\*\*) Term: **14 Years**

(21) Appl. No.: **29/111,294**

(22) Filed: **Sep. 27, 1999**

(51) **LOC (7) Cl.** ..... **26-02**

(52) **U.S. Cl.** ..... **D26/49**

(58) **Field of Search** ..... D26/37-50; 362/157,  
362/158, 183-208

(56) **References Cited**

**U.S. PATENT DOCUMENTS**

- D. 363,564 \* 10/1995 Kish et al. .... D26/49
- D. 408,090 \* 4/1999 Monteleone et al. .... D26/37
- D. 420,457 \* 2/2000 Breit ..... D26/49
- D. 422,733 \* 4/2000 Kung ..... D26/49

\* cited by examiner

*Primary Examiner*—Marcus A. Jackson

(74) *Attorney, Agent, or Firm*—Larson & Taylor PLC

(57) **CLAIM**

The ornamental design of a multi purpose light, as shown and described.

**DESCRIPTION**

FIG. 1 is front view of a multi purpose light according to the present invention.

FIG. 2 is a top view of the multi purpose light depicted in FIG. 1.

FIG. 3 is a right side view of the multi purpose light depicted in FIG. 1.

FIG. 4 is a left side view of the multi purpose light depicted in FIG. 1.

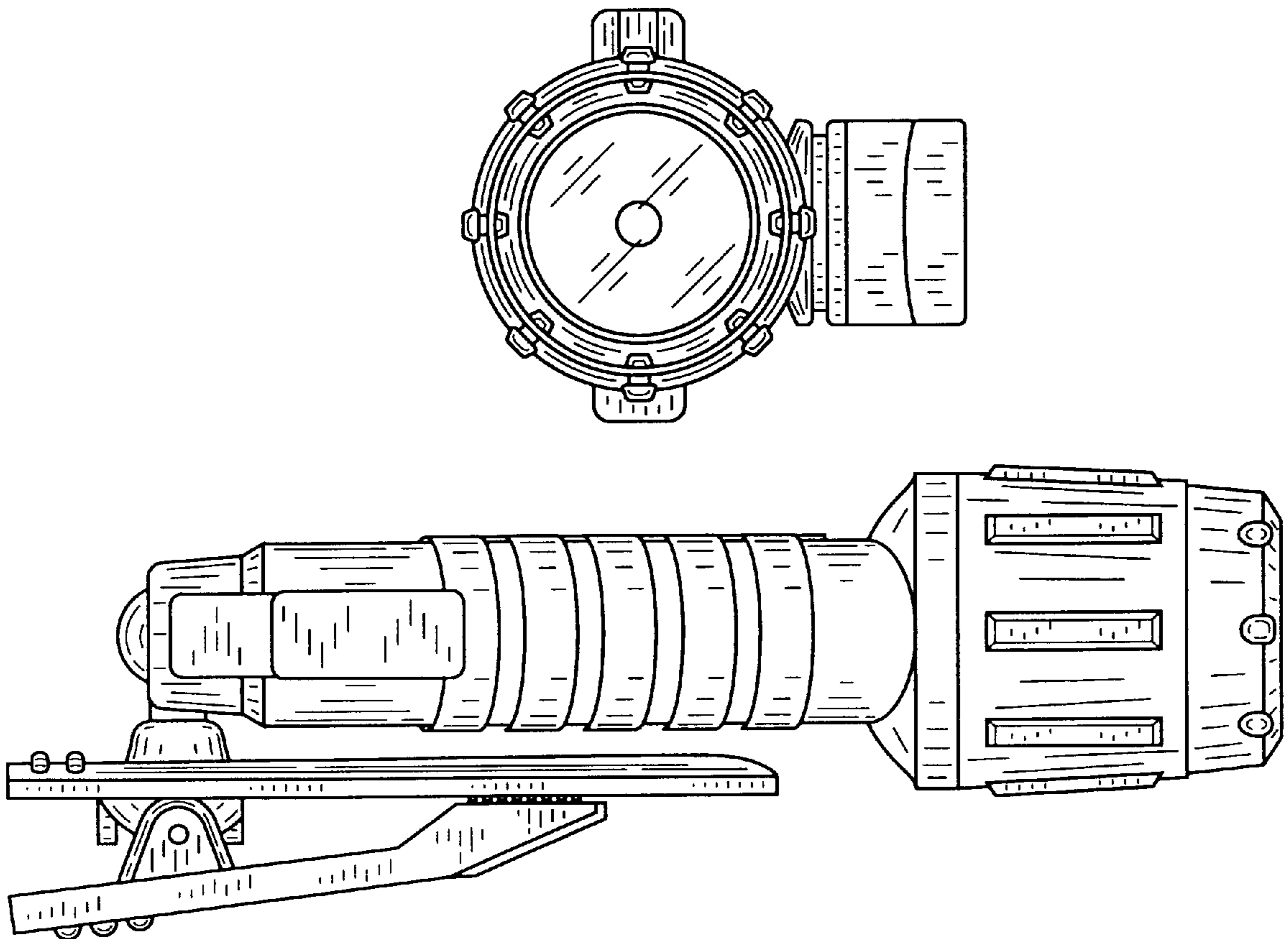
FIG. 5 is a bottom view of the multi purpose light depicted in FIG. 1.

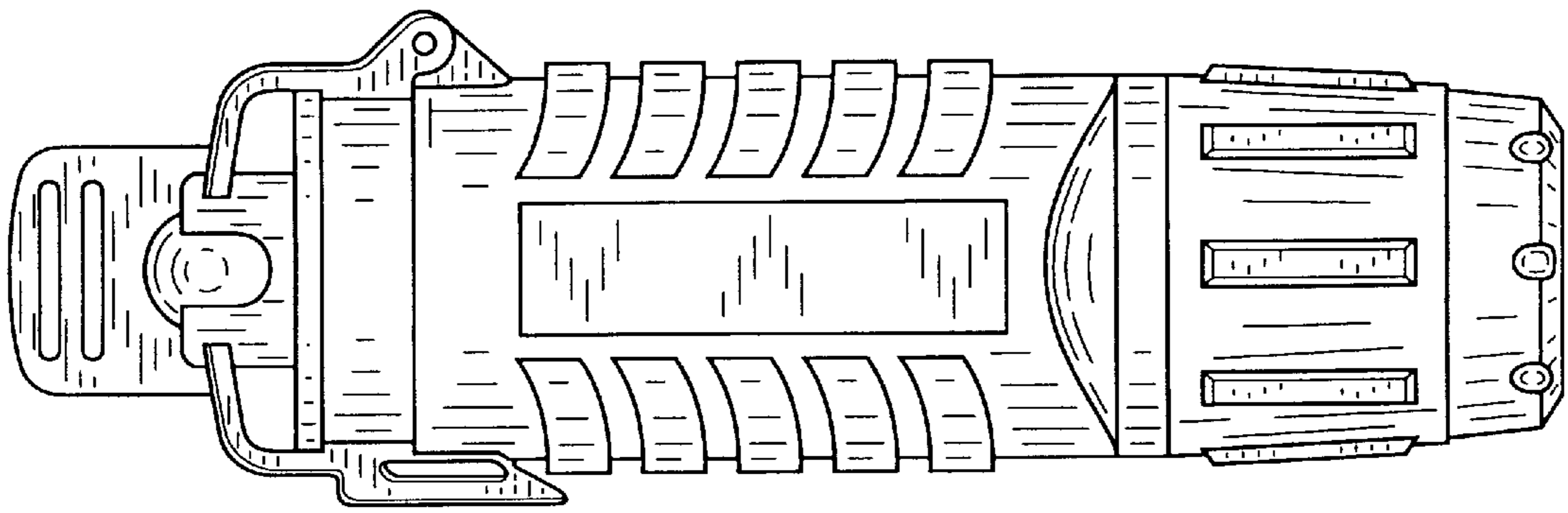
FIG. 6 is a rear view of the multi purpose light depicted in FIG. 1.

FIG. 7 is a front view of the multi purpose light depicted in FIG. 1, with the broken line element being shown for illustrative purposes only and forming no part of the claimed design; and,

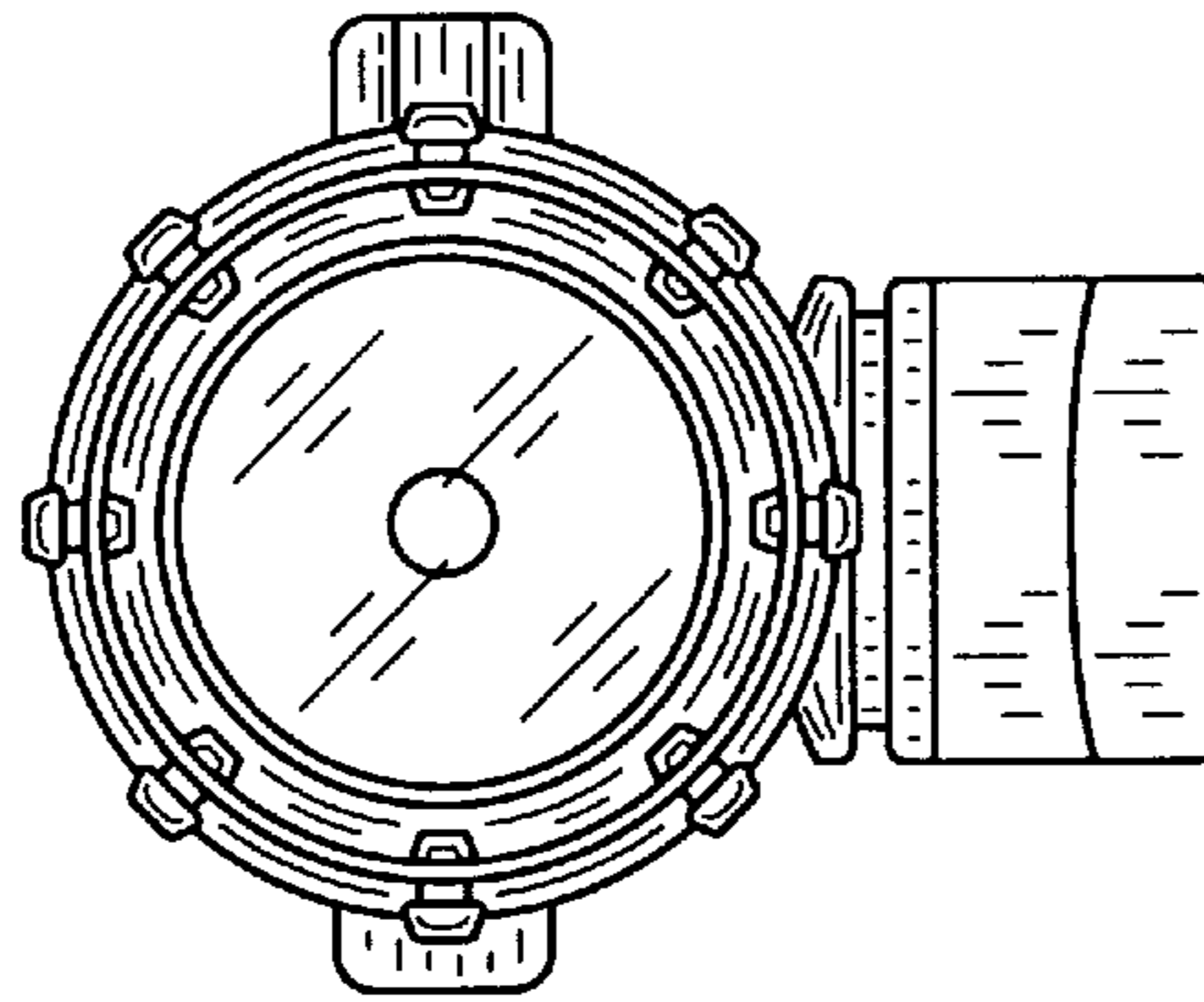
FIG. 8 is a left side view of the multi purpose light depicted in FIG. 1, with the broken line element being shown for illustrative purposes only and forming no part of the claimed design.

**1 Claim, 4 Drawing Sheets**

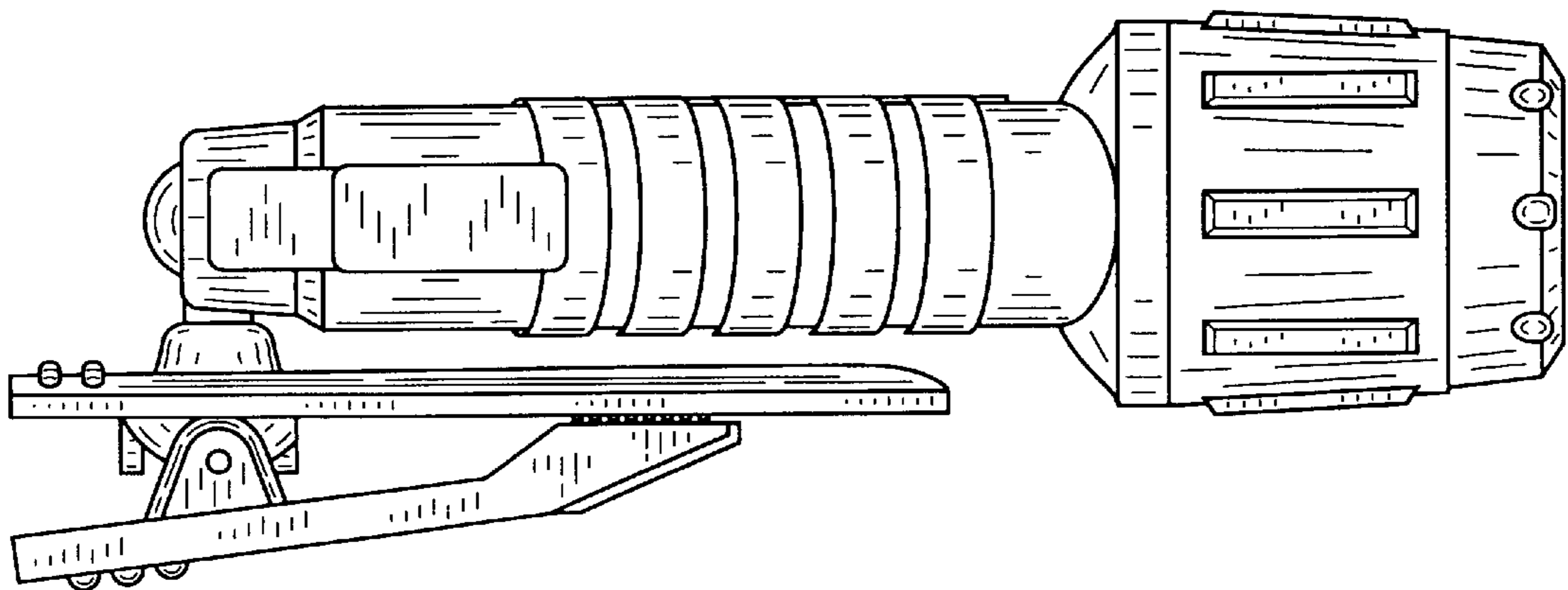




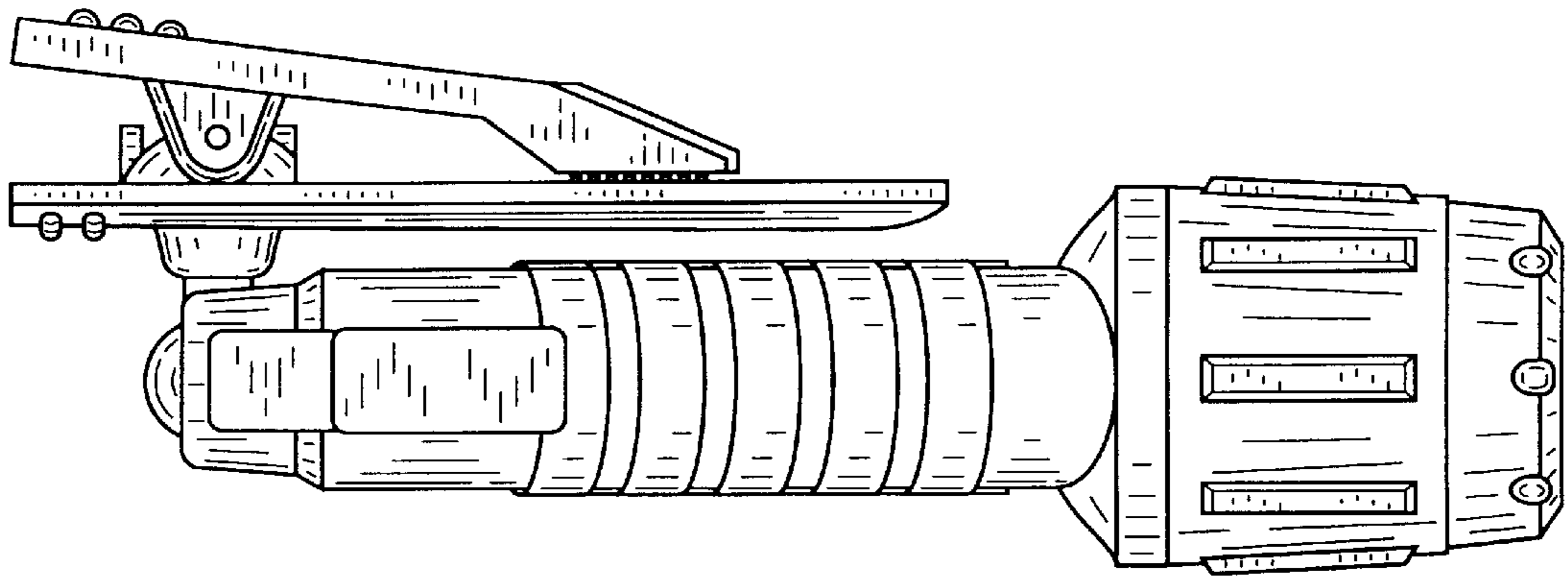
**FIG. 1**



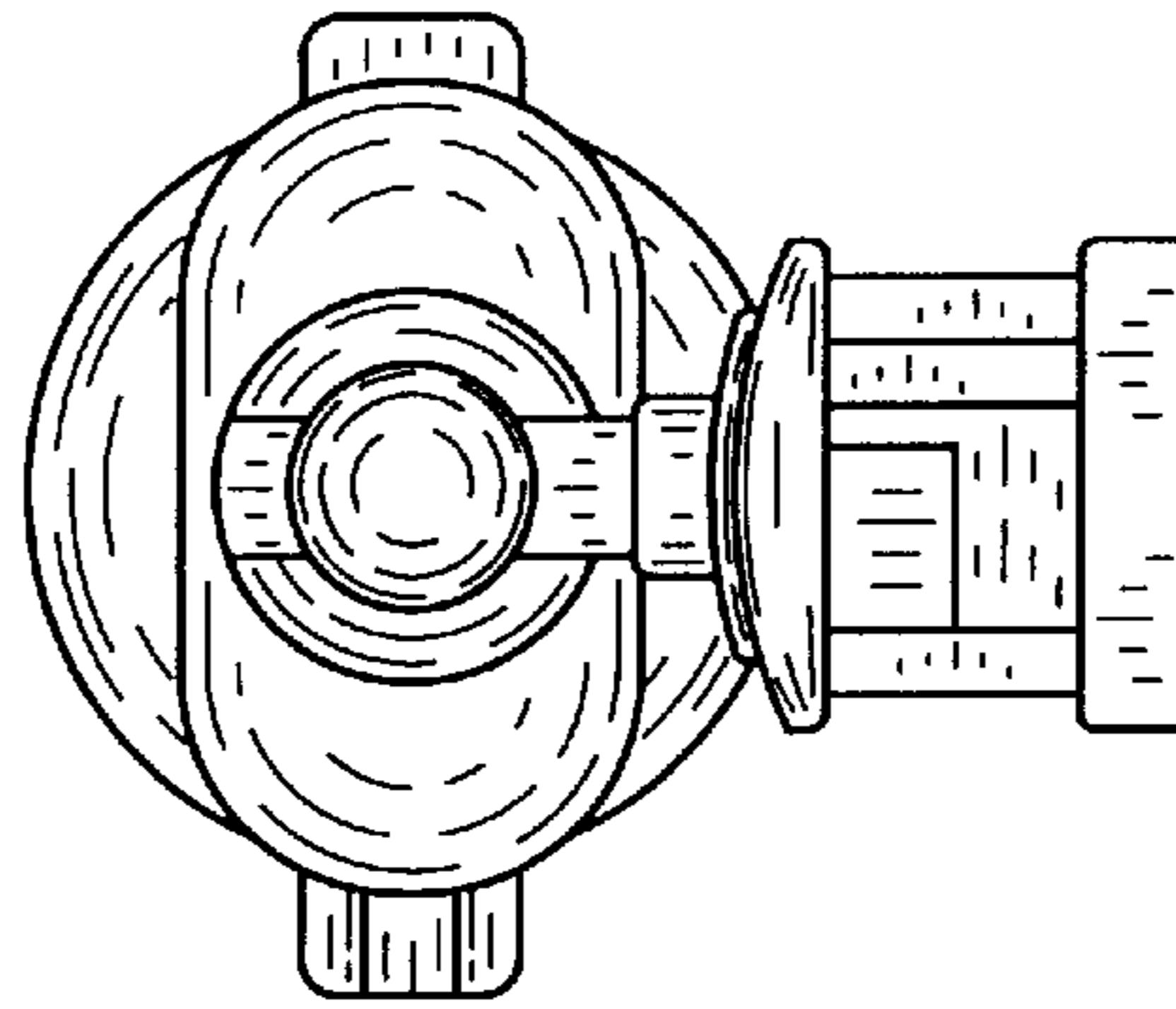
**FIG. 2**



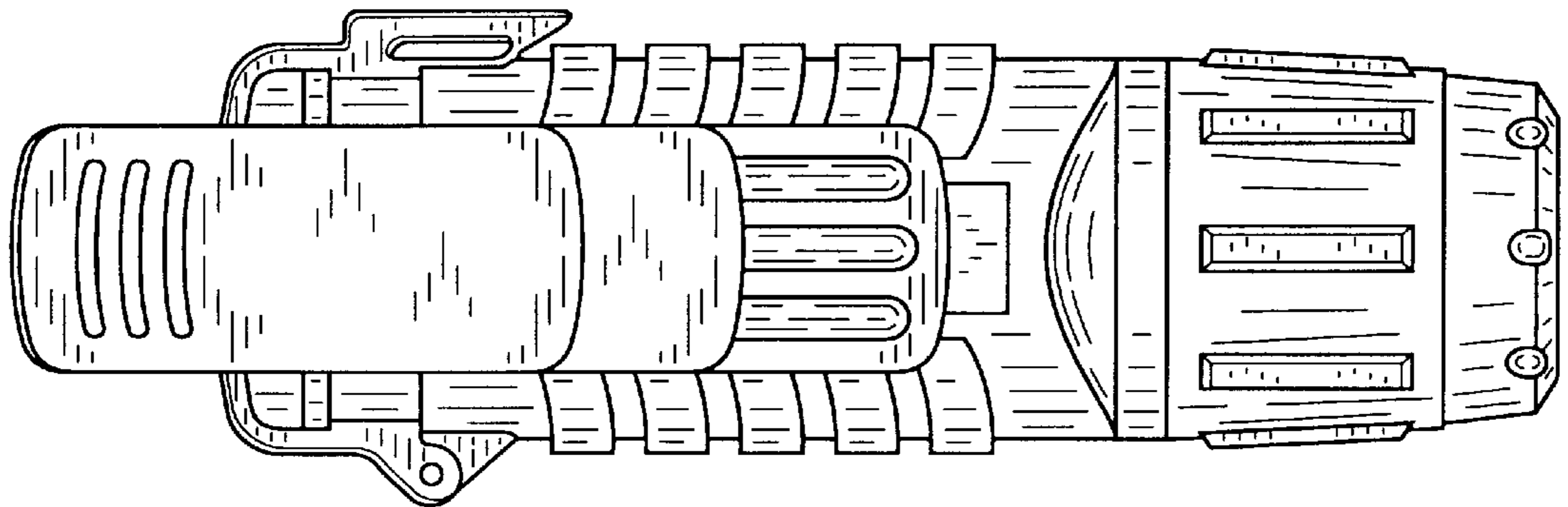
**FIG. 3**



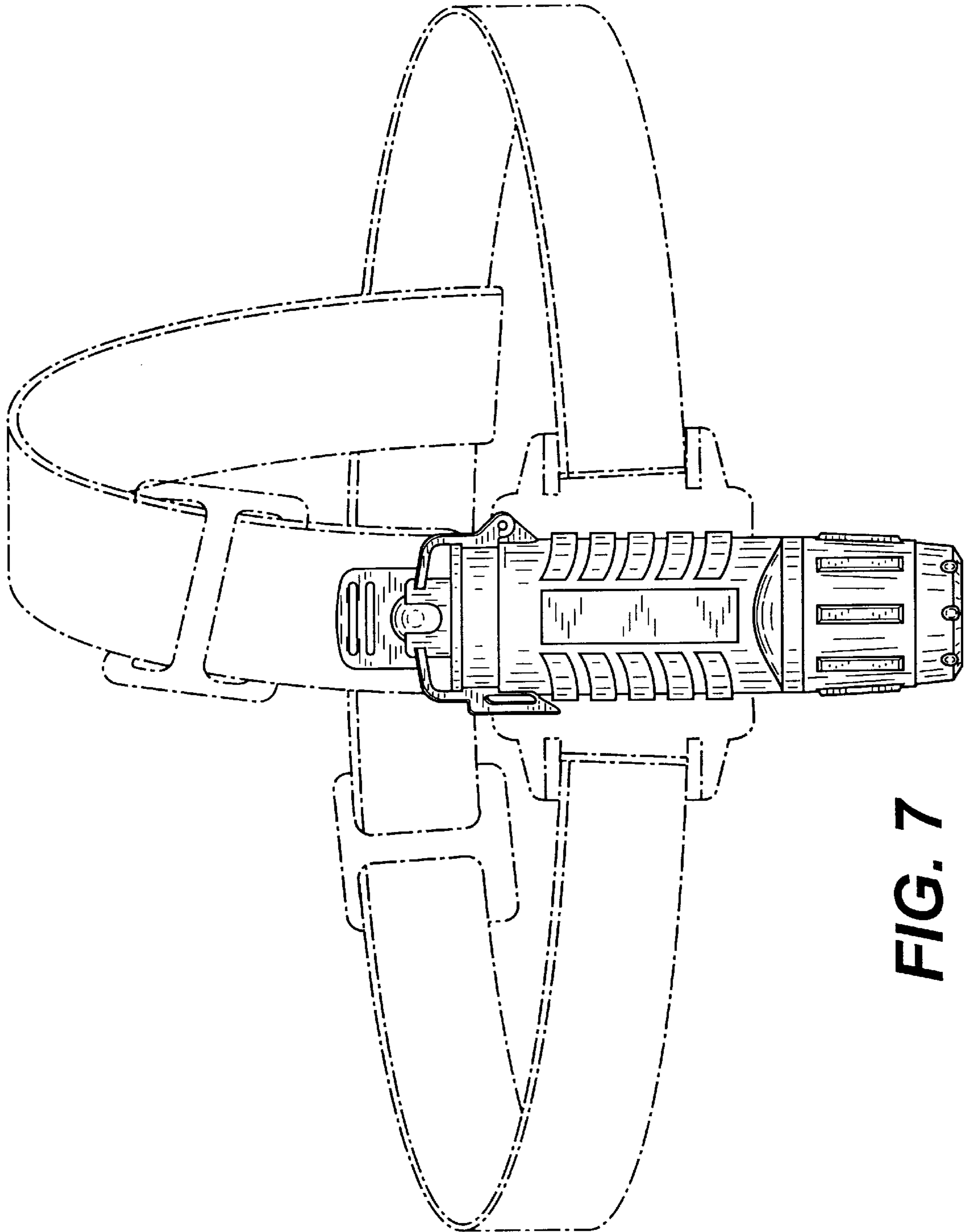
**FIG. 4**



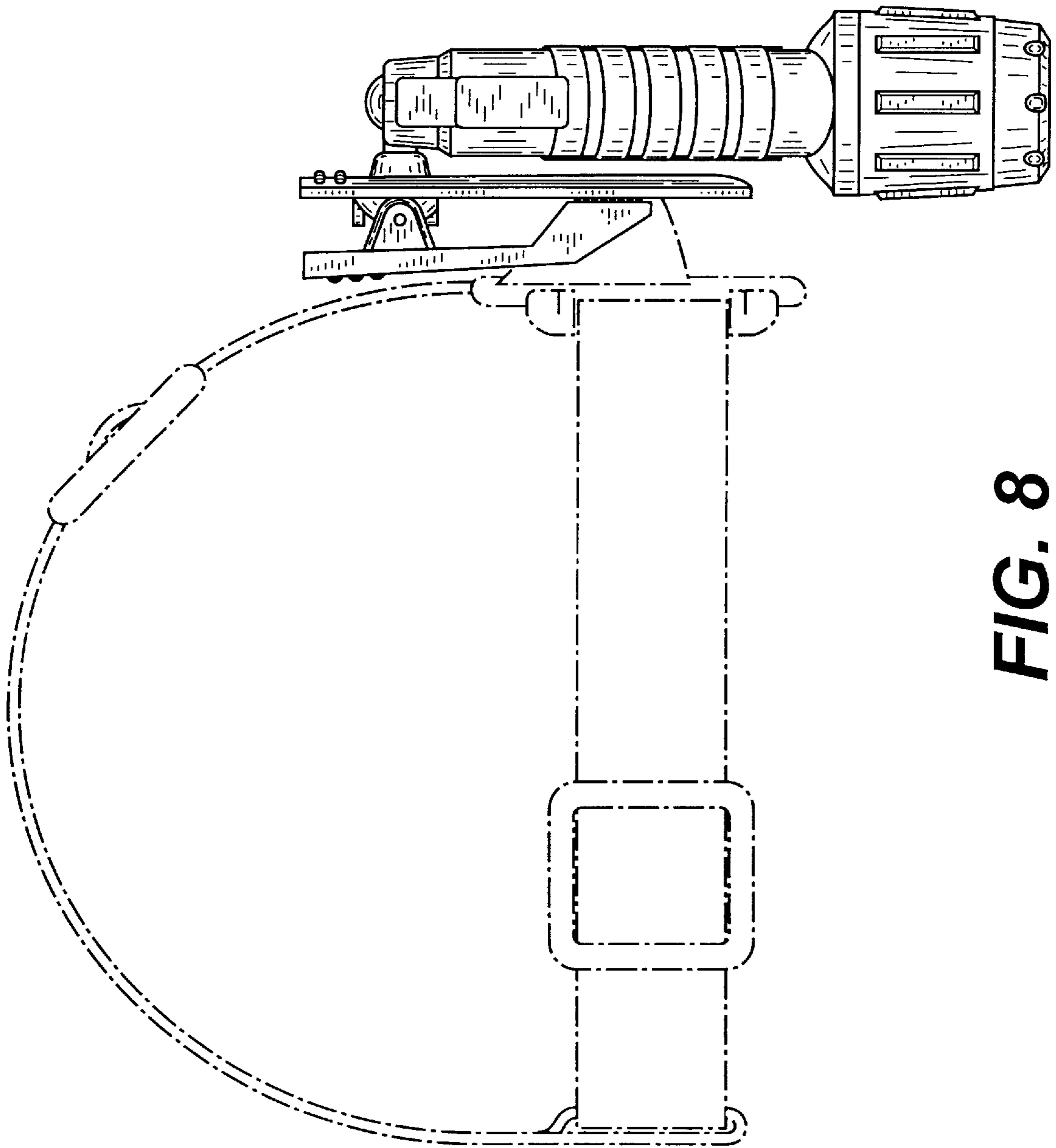
**FIG. 5**



**FIG. 6**



**FIG. 7**



**FIG. 8**