



US00D435919S

(12) **United States Design Patent**
Meda

(10) **Patent No.:** **US D435,919 S**

(45) **Date of Patent:** **** *Jan. 2, 2001**

(54) **FAUCET**

(75) **Inventor:** **Alberto Meda, Milan (IT)**

(73) **Assignee:** **American Standard Inc., Piscataway, NJ (US)**

(*) **Notice:** This patent is subject to a terminal disclaimer.

(**) **Term:** **14 Years**

(21) **Appl. No.:** **29/102,408**

(22) **Filed:** **Mar. 24, 1999**

(30) **Foreign Application Priority Data**

Sep. 25, 1998 (IT) RE9800014

(51) **LOC (7) Cl.** **23-01**

(52) **U.S. Cl.** **D25/238**

(58) **Field of Search** D23/238-243,
D23/250-257; D8/300-310; 4/675-678;
137/801

(56) **References Cited**

U.S. PATENT DOCUMENTS

D. 339,629 * 9/1993 Gottwald D23/241

D. 353,187 * 12/1994 Formgren D23/241
D. 353,651 * 12/1994 Formgren D23/241
D. 359,796 * 6/1995 Formgren D23/241
D. 400,647 * 11/1998 Lobermeier D23/241

* cited by examiner

Primary Examiner—Doris Clark

(57) **CLAIM**

The ornamental design for a faucet, as shown and described.

DESCRIPTION

FIG. 1 is a front, top and right side perspective view of a faucet showing my new design;

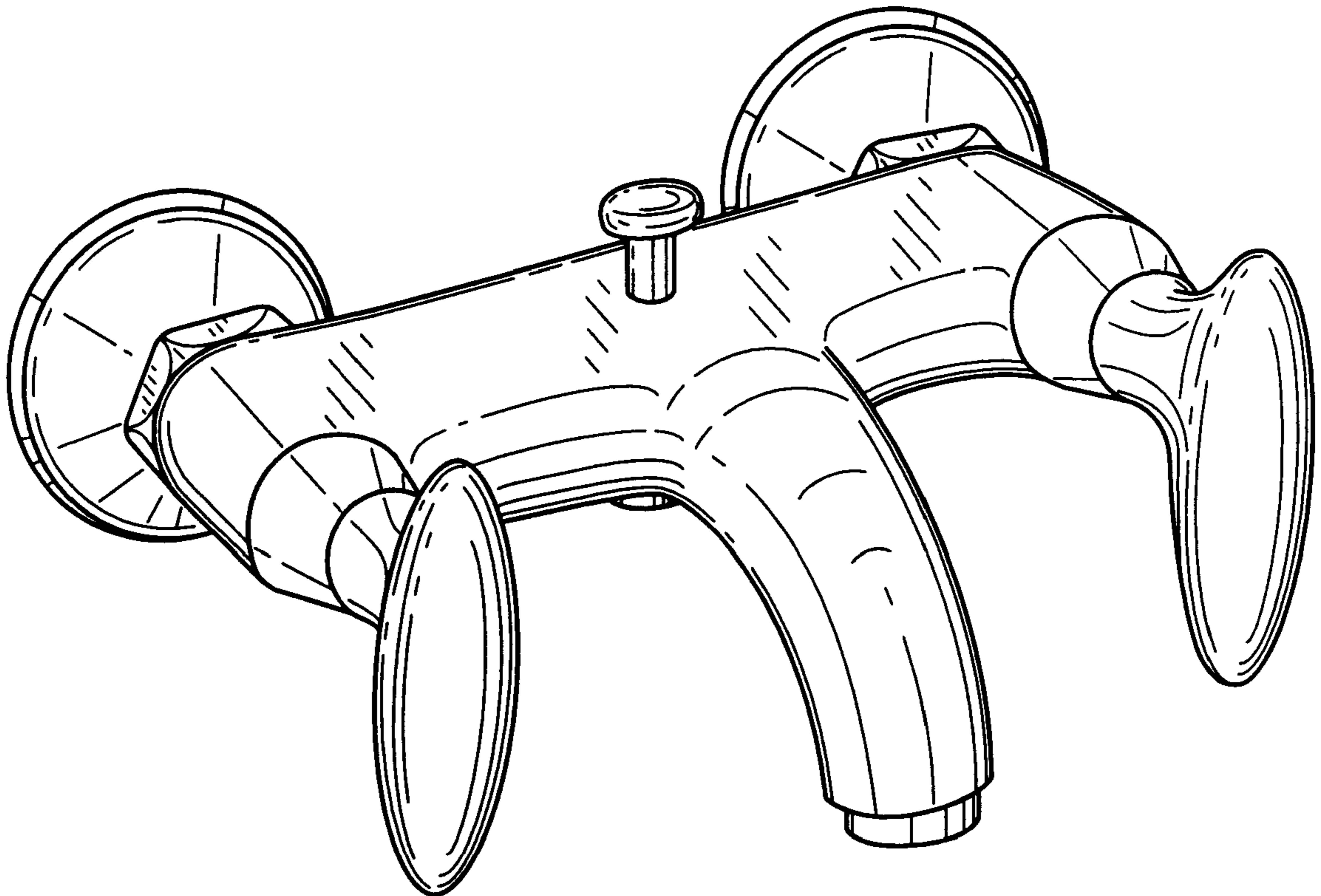
FIG. 2 is a front elevational view thereof;

FIG. 3 is a back elevational view thereof;

FIG. 4 is a top plan view thereof; and,

FIG. 5 is a left side elevational view thereof, the right side view being a mirror image of the left side.

1 Claim, 3 Drawing Sheets



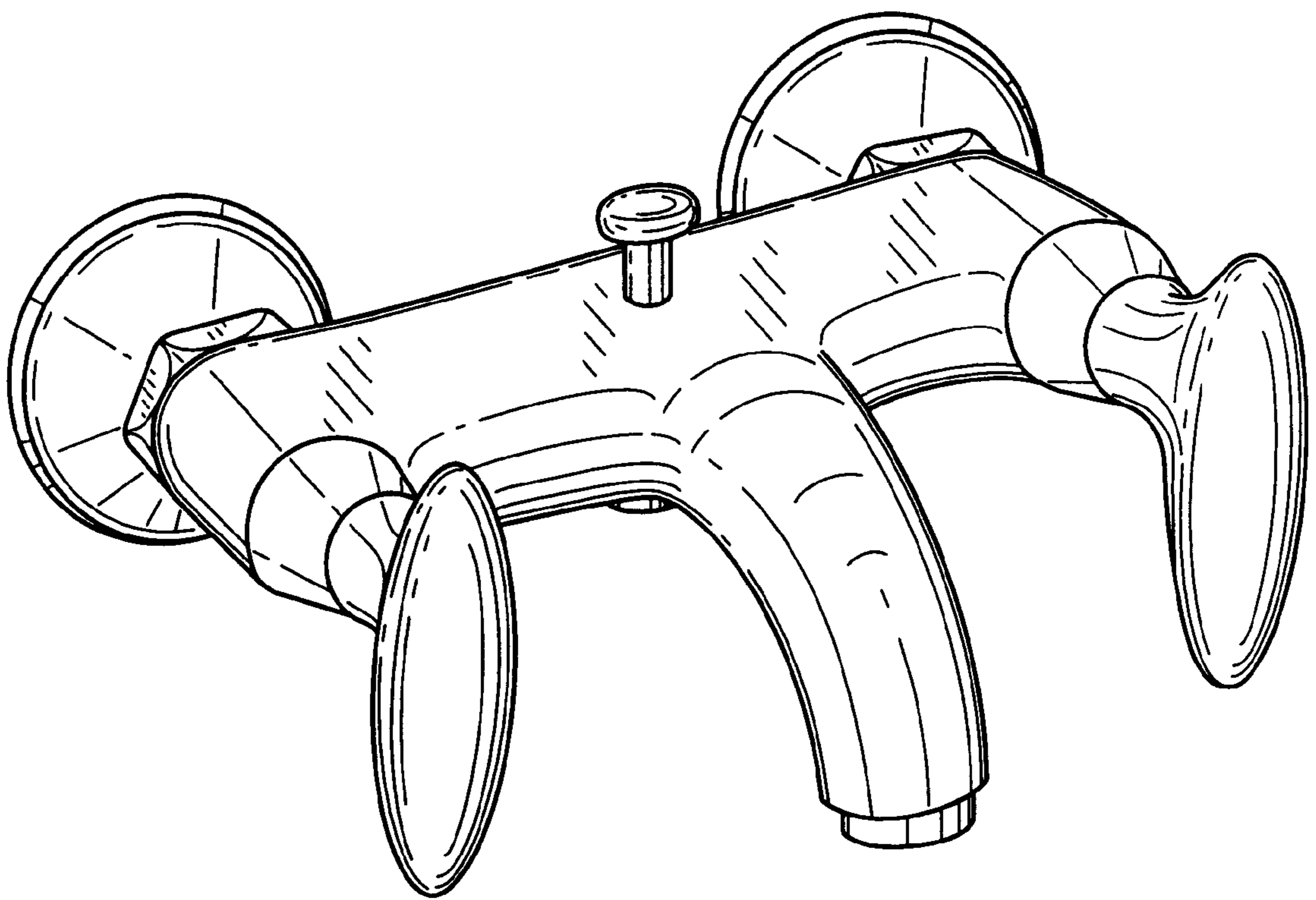


FIG. 1

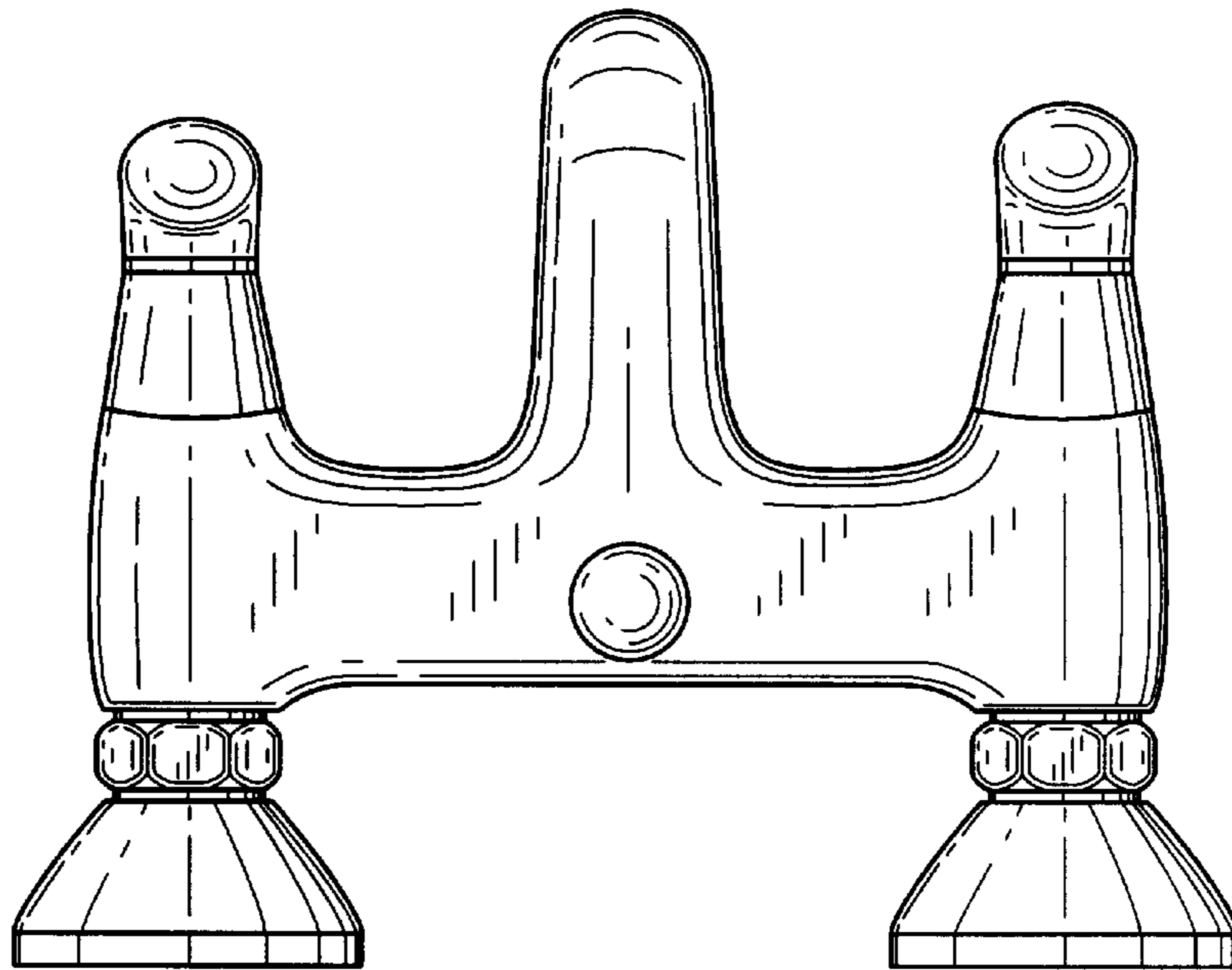


FIG. 2

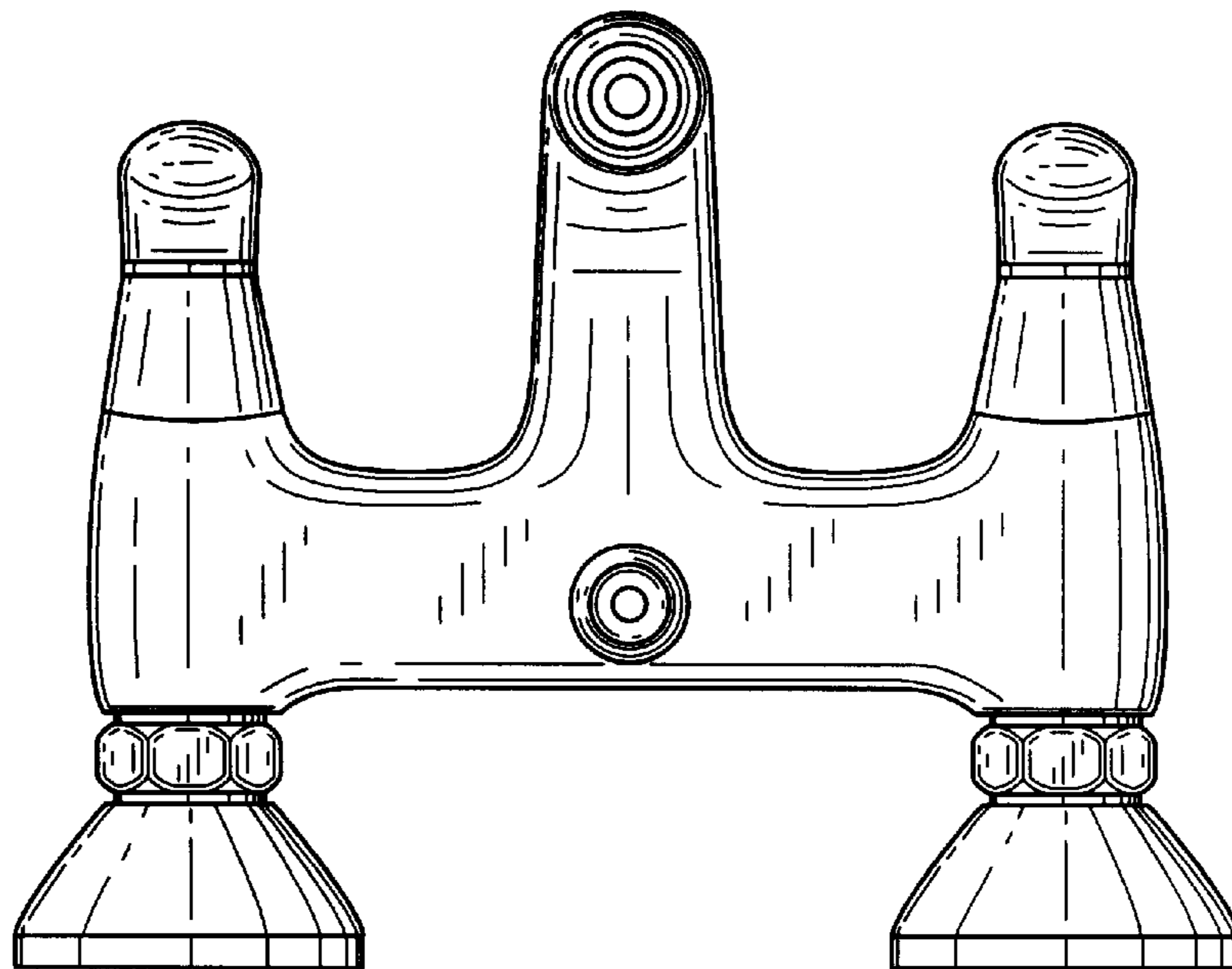


FIG. 3

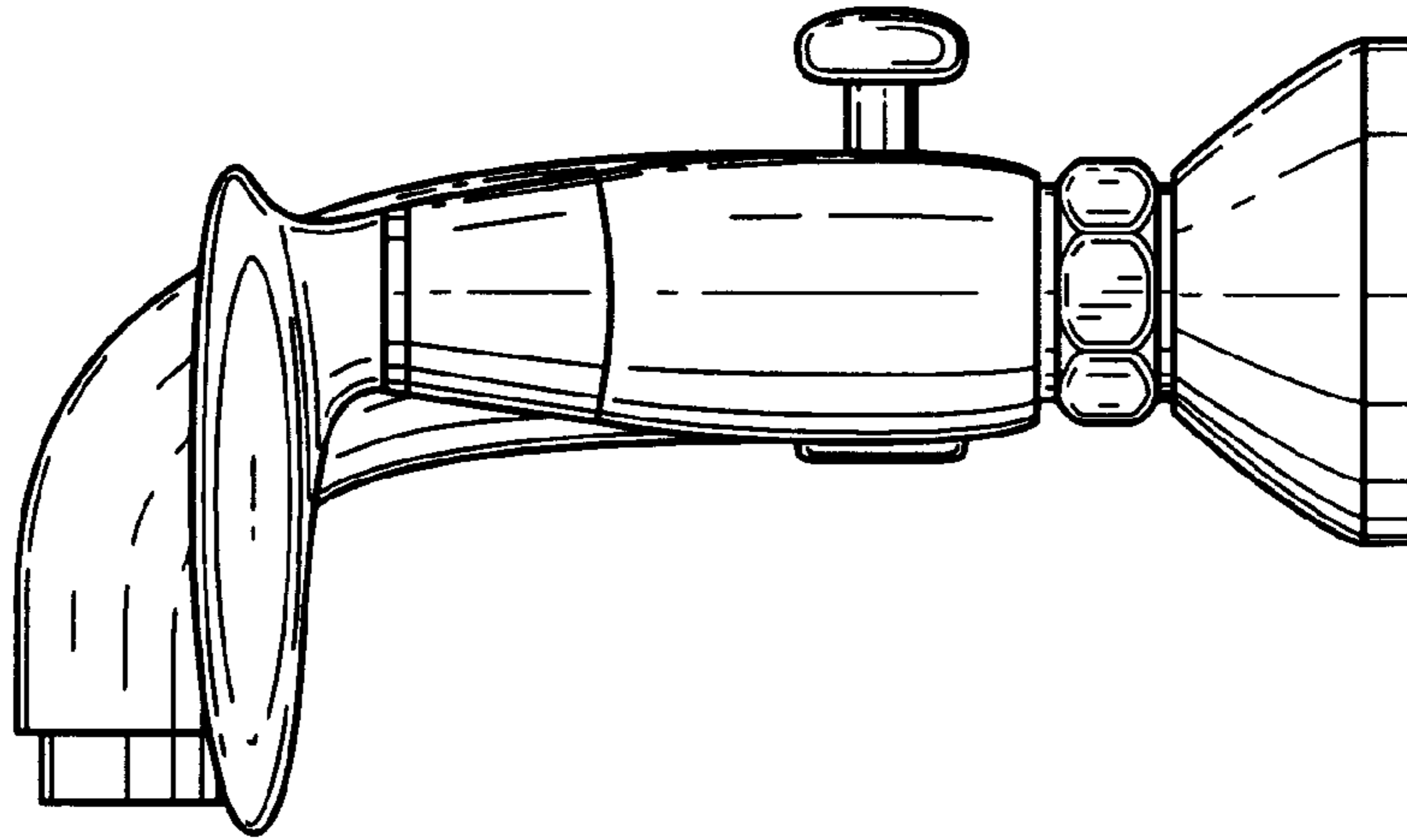


FIG. 4

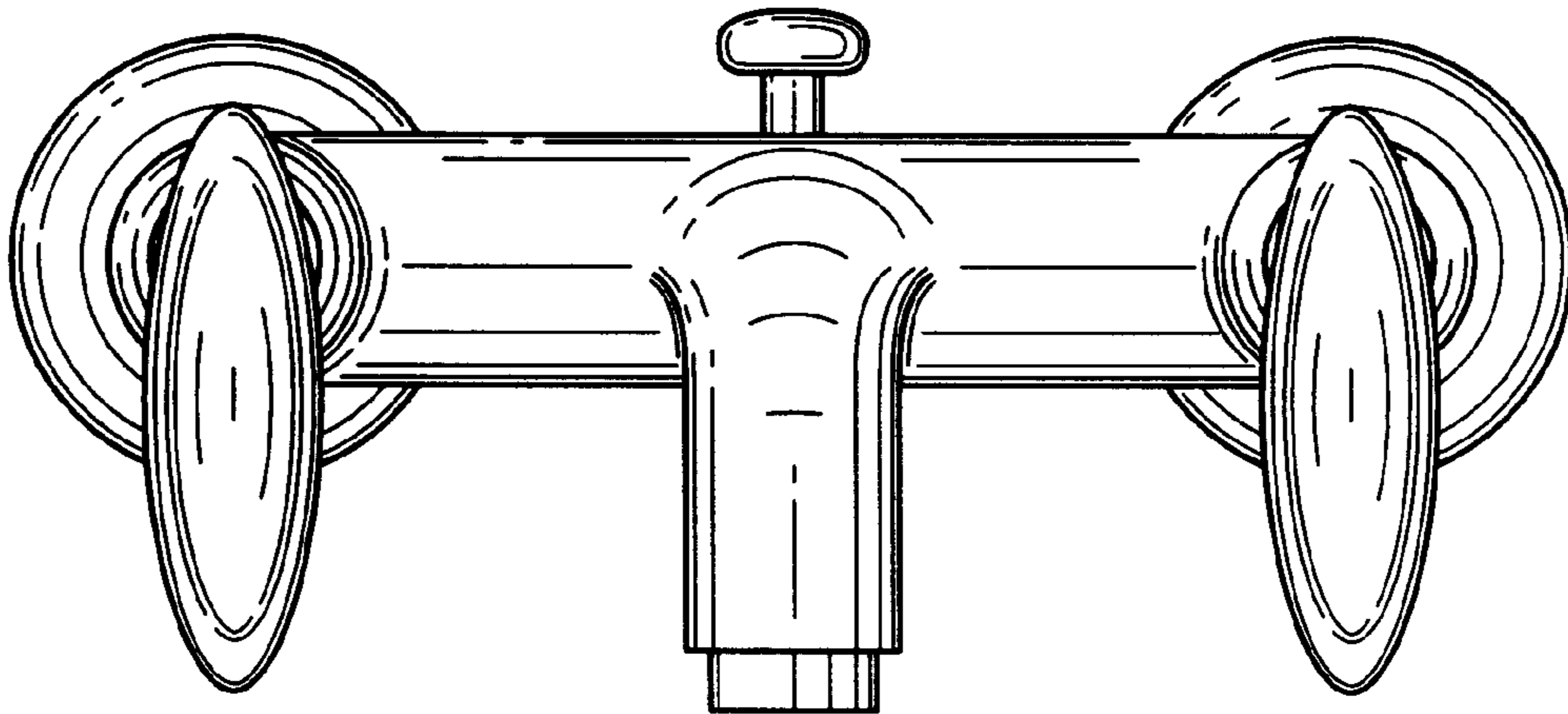


FIG. 5