



US00D435908S

(12) **United States Design Patent**
Wilkinson et al.

(10) **Patent No.: US D435,908 S**

(45) **Date of Patent: ** Jan. 2, 2001**

(54) **NEEDLE HOLDER ASSEMBLY**

(75) **Inventors: Bradley M. Wilkinson**, North Haledon, NJ (US); **Jamieson W. M. Crawford**, New York; **C. Mark Newby**, Tuxedo, both of NY (US)

(73) **Assignee: Becton Dickinson and Company**, Franklin Lakes, NJ (US)

(**) **Term: 14 Years**

(21) **Appl. No.: 29/123,293**

(22) **Filed: May 12, 2000**

(51) **LOC (7) Cl. 24-02**

(52) **U.S. Cl. D24/130**

(58) **Field of Search** D24/112, 113, D24/114, 127, 130; 600/573, 576; 215/247; 604/163, 171, 187, 192, 195, 232, 239, 240, 403

(56) **References Cited**

U.S. PATENT DOCUMENTS

Re. 35,539	*	6/1997	Bonaldo	604/403
3,247,698	*	4/1966	Baldwin et al.	604/187
3,326,206	*	6/1967	Barr, Sr. et al.	604/239
4,393,881	*	7/1983	Shah	600/573

5,086,780	*	2/1992	Schmitt	604/403
5,356,392	*	10/1994	Firth et al.	600/576
5,687,740	*	11/1997	Sheridan	604/195
6,017,317	*	1/2000	Newby et al.	600/573
6,063,040	*	5/2000	Owen et al.	600/573
6,090,079	*	7/2000	Fu	604/192
6,093,170	*	7/2000	Hsu et al.	604/192

* cited by examiner

Primary Examiner—Alan P. Douglas

Assistant Examiner—Reid Hecker

(74) *Attorney, Agent, or Firm*—Nanette S. Thomas, Esq.

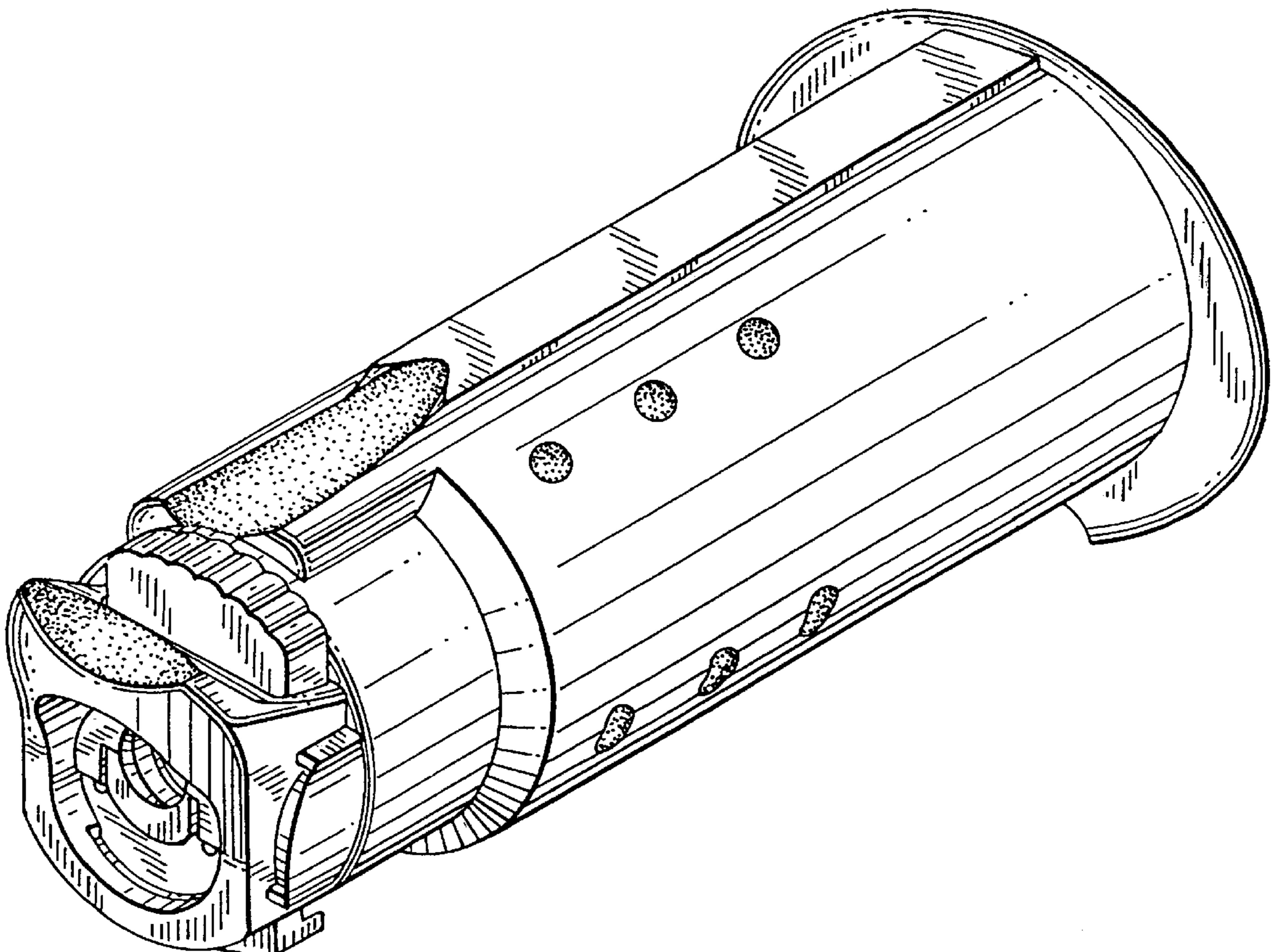
(57) **CLAIM**

The ornamental design for a needle holder assembly, as shown and described.

DESCRIPTION

FIG. 1 is a perspective view of the needle holder assembly; FIG. 2 is a side elevational view of the needle holder assembly of FIG. 1; FIG. 3 is a side elevational view of the needle holder needle assembly of FIG. 1, rotated 90°; FIG. 4 is a side elevational view of the needle holder needle assembly of FIG. 1, rotated 270°; and, FIG. 5 is a top plan view of the needle holder assembly of FIG. 1.

1 Claim, 5 Drawing Sheets



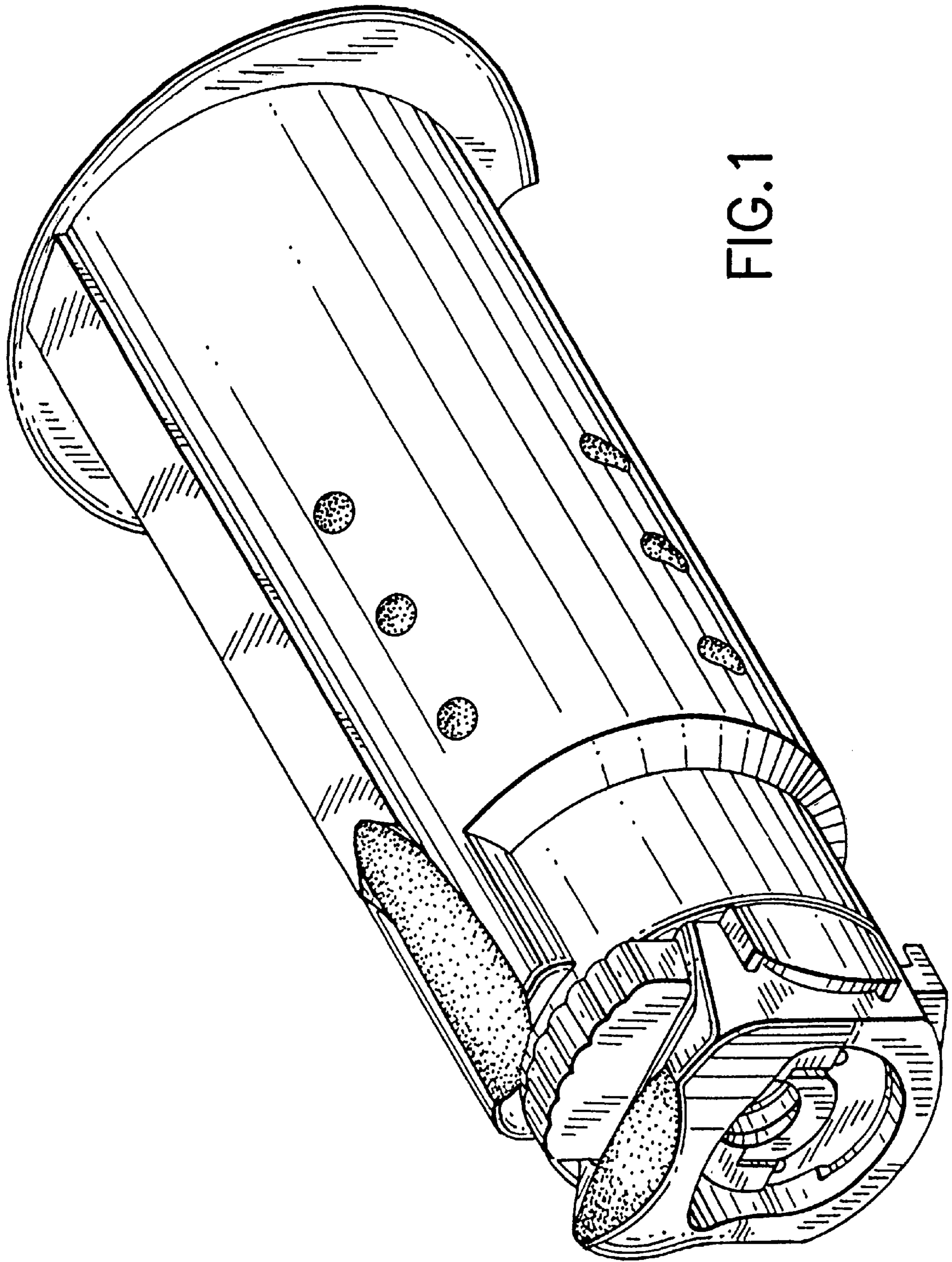


FIG. 1

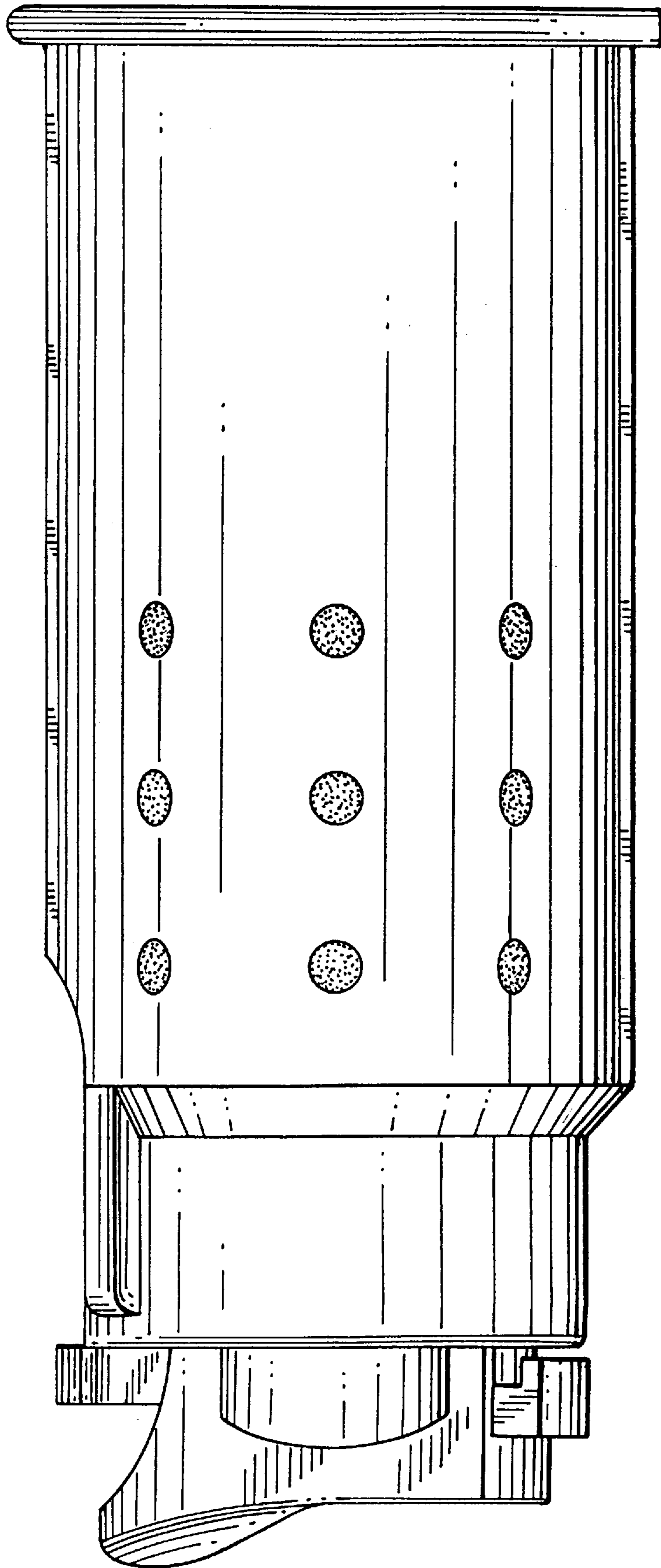


FIG. 2

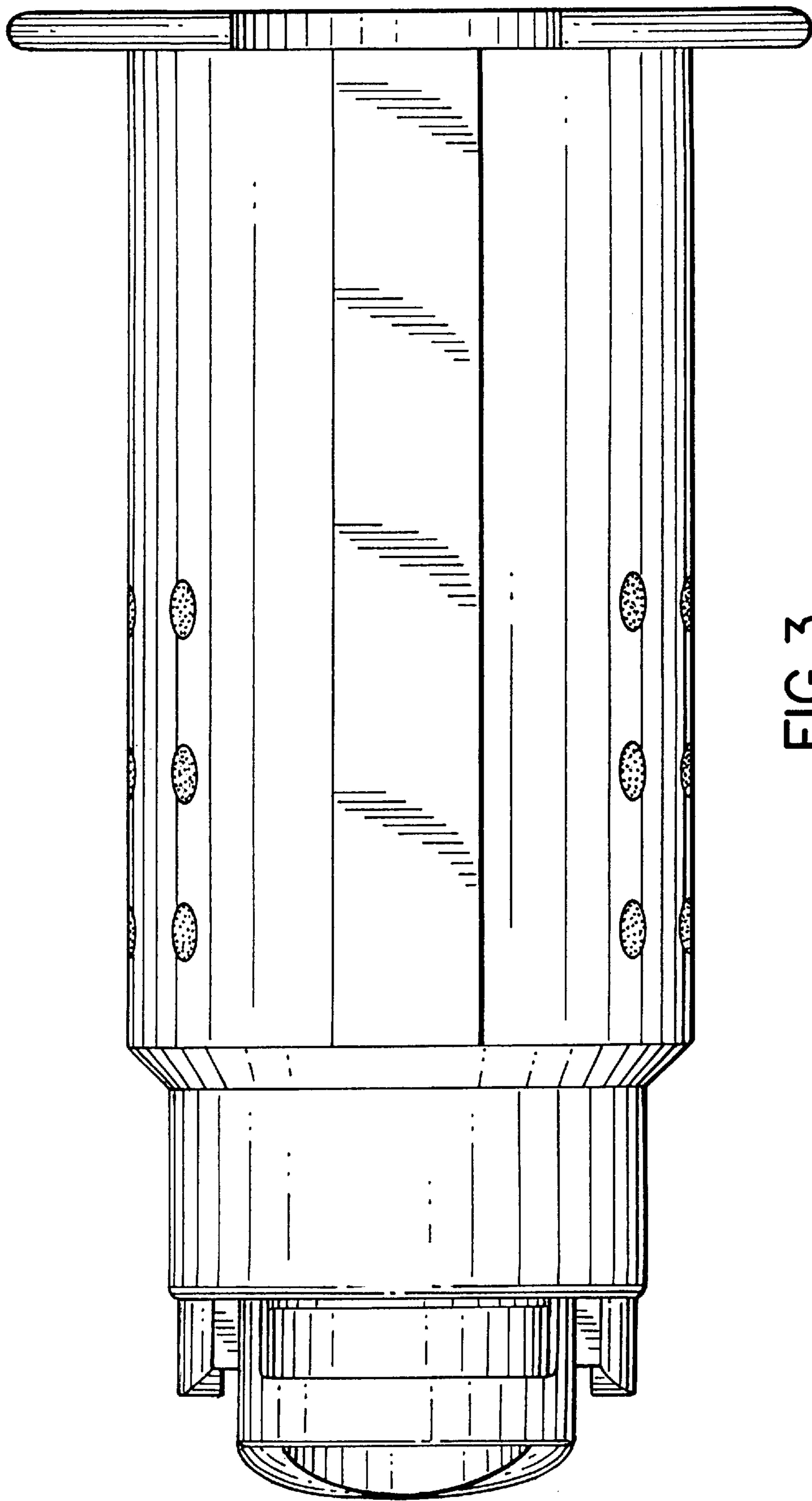


FIG. 3

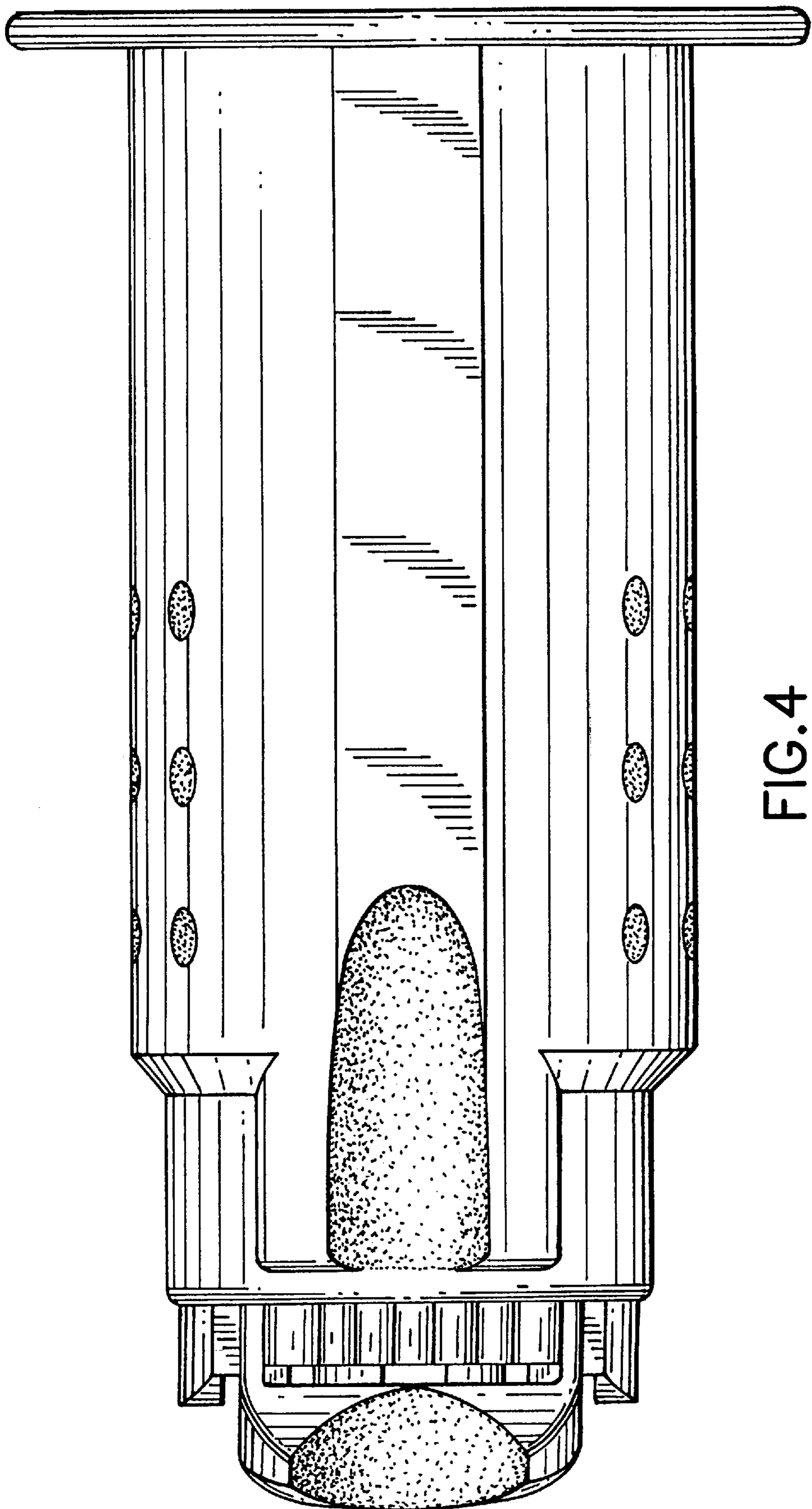


FIG.4

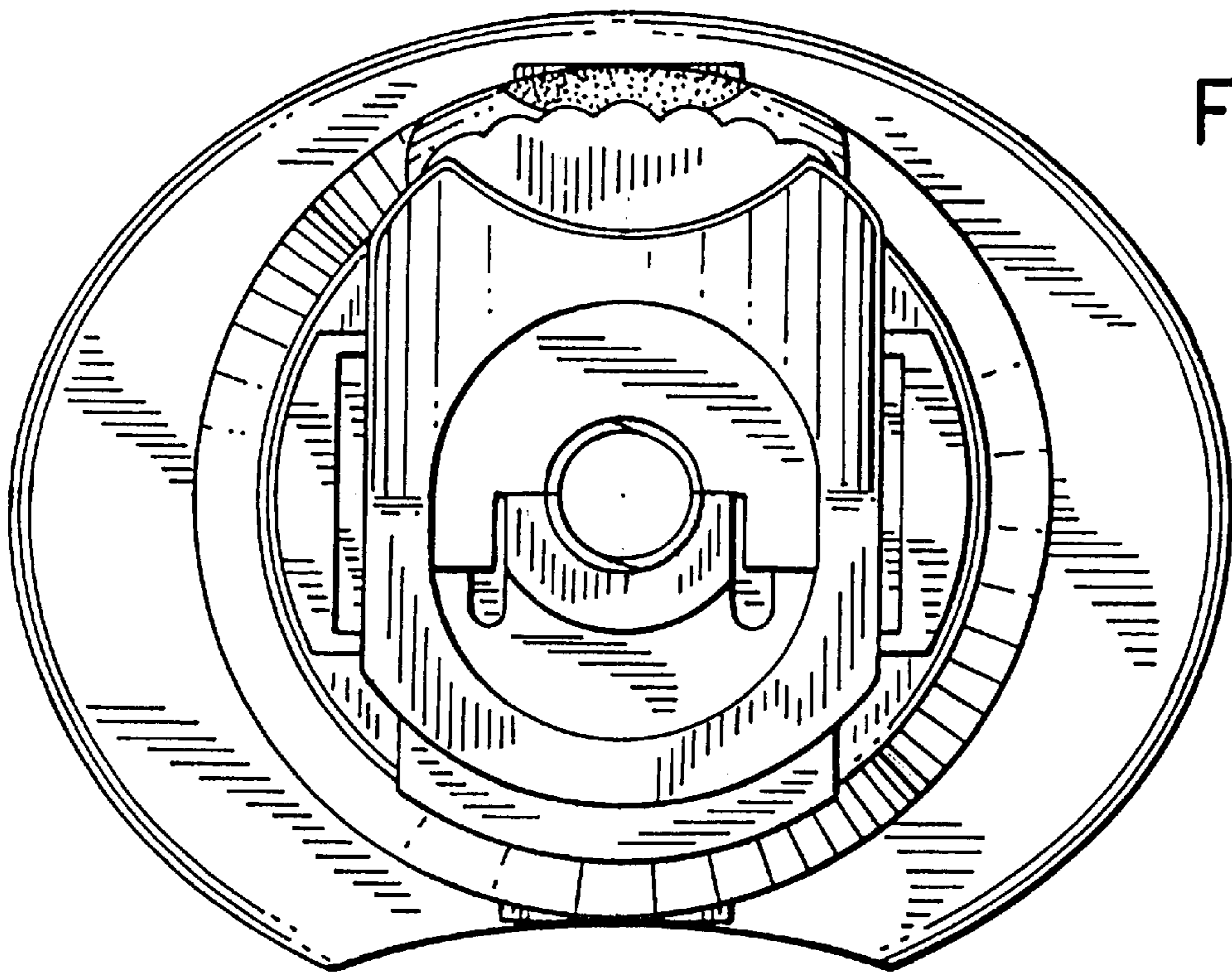


FIG. 5