



US00D435905S

(12) **United States Design Patent**  
**Bachman et al.**

(10) **Patent No.:** **US D435,905 S**

(45) **Date of Patent:** **\*\* Jan. 2, 2001**

(54) **ORAL IRRIGATOR HANDLE**

(75) Inventors: **Timothy A. Bachman**, Fort Collins, CO (US); **Andrew Serbinski**, Annandale, NJ (US)

(73) Assignee: **Water Pik, Inc., a California corporation**, Newport Beach, CA (US)

(\*\*) Term: **14 Years**

(21) Appl. No.: **29/098,138**

(22) Filed: **Dec. 18, 1998**

(51) **LOC (7) Cl.** ..... **24-02**

(52) **U.S. Cl.** ..... **D24/111**

(58) **Field of Search** ..... D24/108, 111, D24/113, 152, 176; D4/104, 108; D8/107; 15/22.1, 143.1, 145, 176.1, 167.1; 16/110.1, 430; 128/DIG. 10; 433/80, 85, 86, 88, 89, 114, 126; 601/162, 163, 165

(56) **References Cited**

**U.S. PATENT DOCUMENTS**

- D. 356,864 \* 3/1995 Woog ..... D24/111
- D. 403,511 \* 1/1999 Serbinski ..... D4/108
- D. 413,975 \* 9/1999 Maeda ..... D24/111

(List continued on next page.)

**OTHER PUBLICATIONS**

WOOG® Products at a Glance Brochure, Home Dental Care System, WOOG ORAJET, at least as early as Dec. 18, 1998.

\* cited by examiner

*Primary Examiner*—Alan P. Douglas

*Assistant Examiner*—Reid Hecker

(74) *Attorney, Agent, or Firm*—Dorsey & Whitney LLP

(57) **CLAIM**

The ornamental design for an oral irrigator handle, as shown and described.

**DESCRIPTION**

FIG. 1 is an isometric view of an oral irrigator handle showing our new design, our oral irrigator handle being attached to a nozzle, the broken lines illustrative of environmental matter only and form no part of the claimed design.

FIG. 2 is a top plan view thereof.

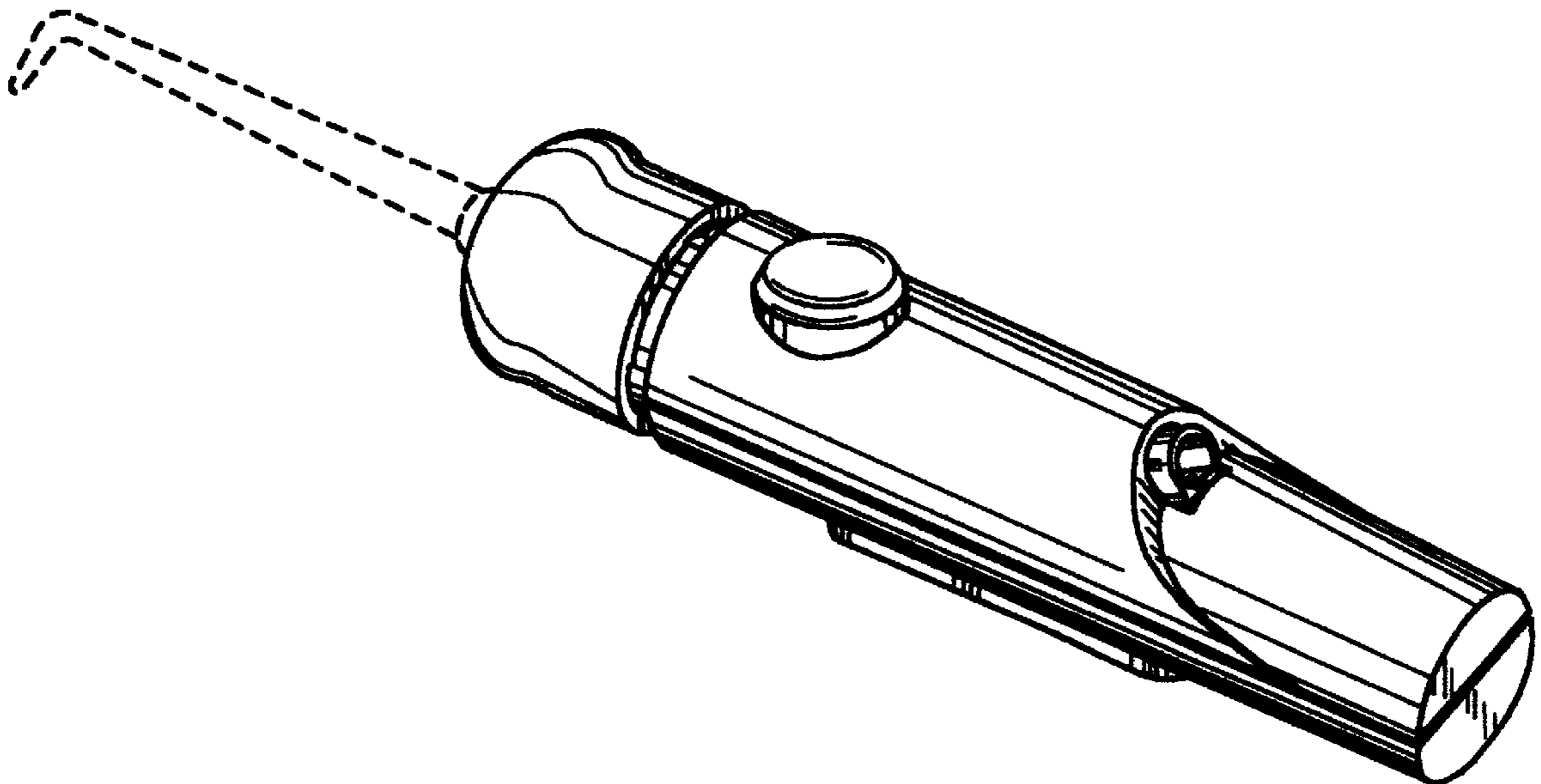
FIG. 3 is a front elevation view thereof.

FIG. 4 is a bottom plan view thereof.

FIG. 5 is a left side elevation view thereof; and,

FIG. 6 is a right side elevation view thereof,

**1 Claim, 2 Drawing Sheets**

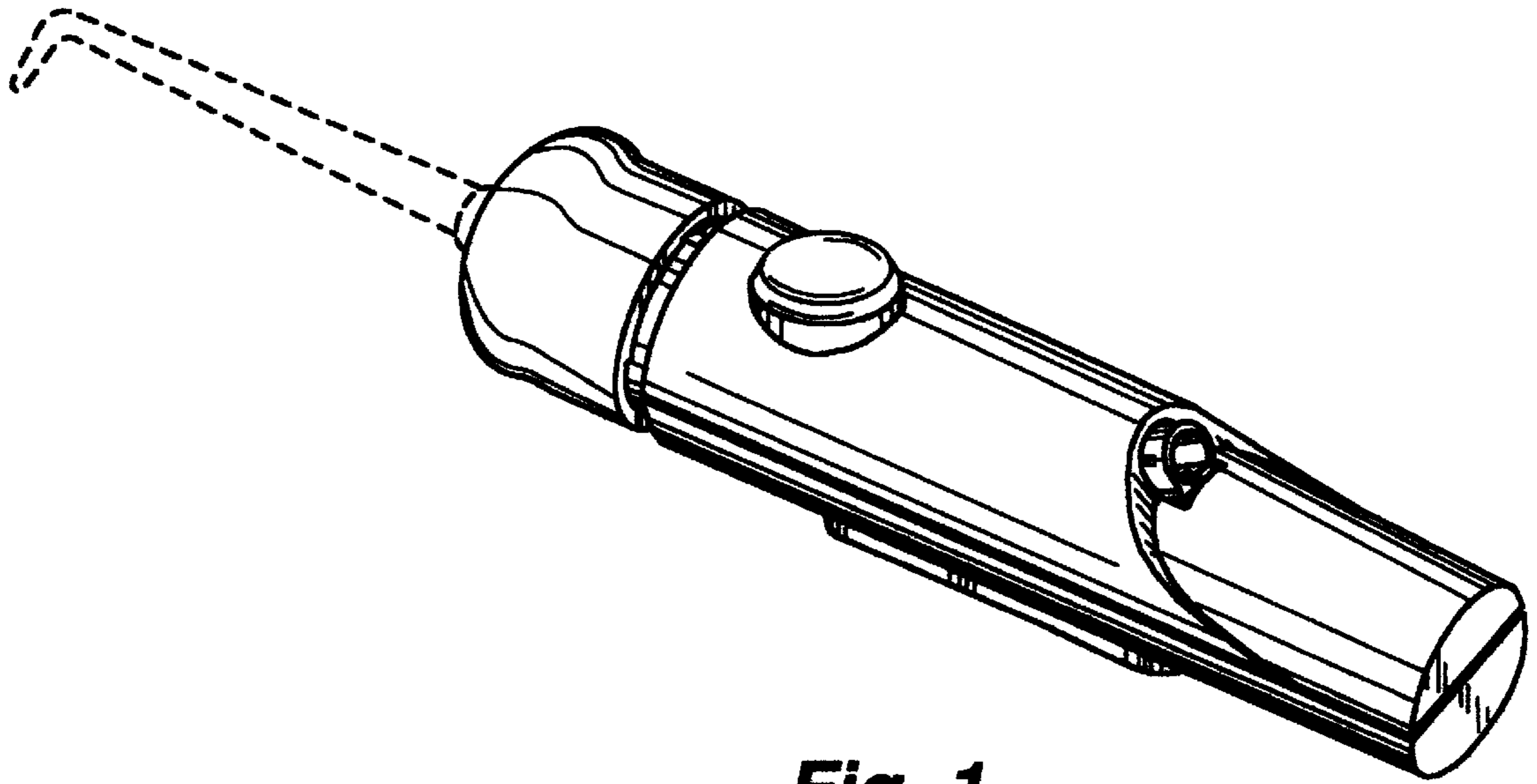


# US D435,905 S

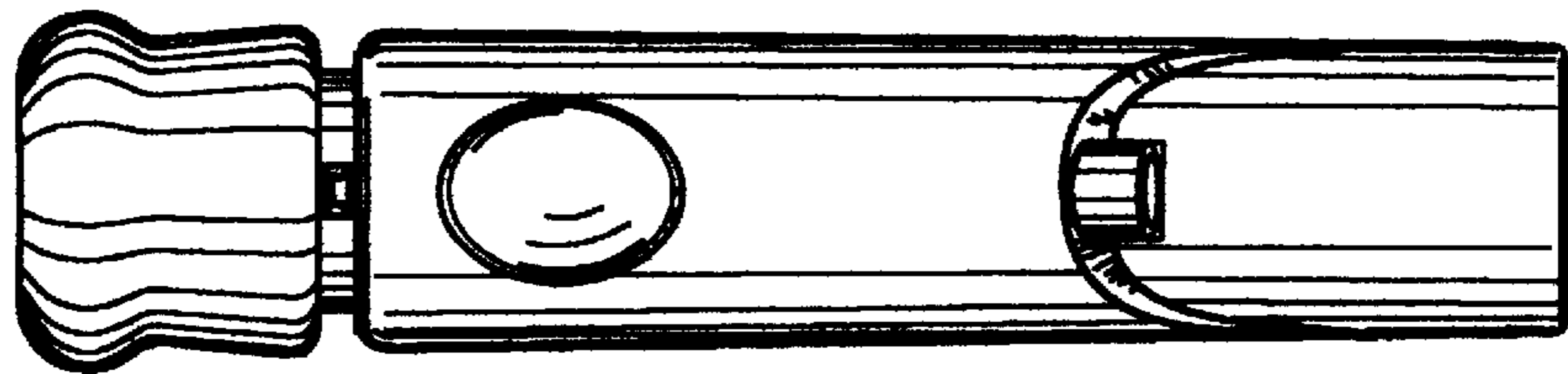
Page 2

## U.S. PATENT DOCUMENTS

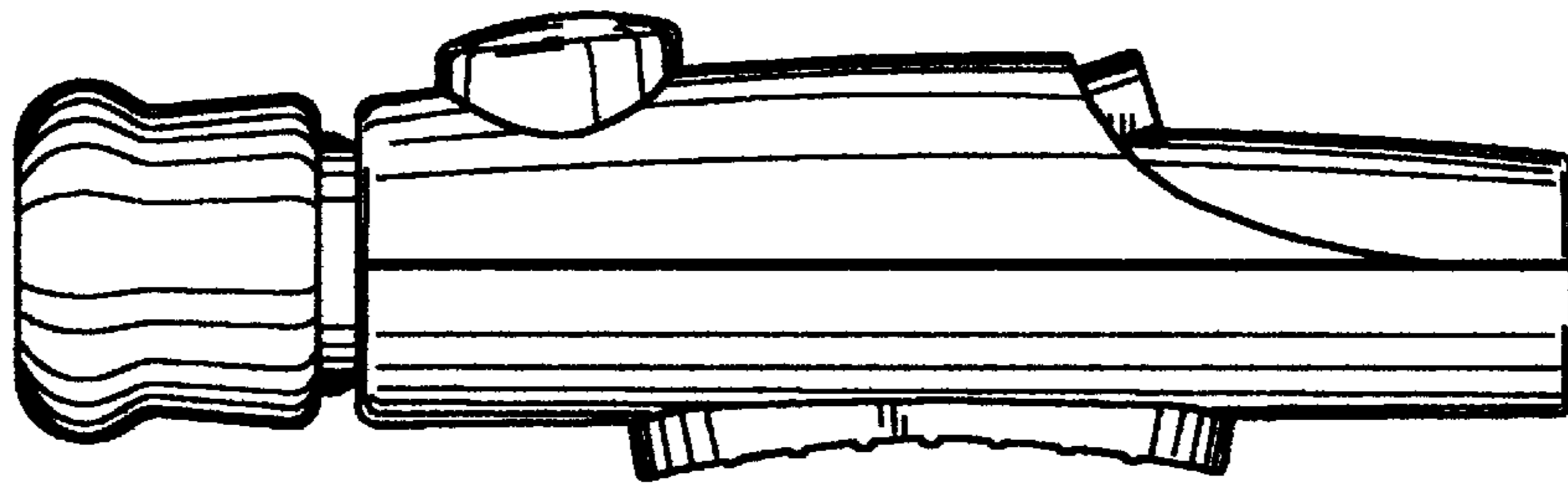
			4,903,687	2/1990	Lih-Sheng .	
			4,906,187	3/1990	Amadera .	
			4,928,675	5/1990	Thornton .	
			4,950,159	8/1990	Hansen .	
			4,961,698	10/1990	Vlock .	
			4,973,247	11/1990	Varnes et al. .	
			4,975,054	12/1990	Esrock .	
			4,979,503	12/1990	Chernack .	
			4,989,590 *	2/1991	Baum et al. ....	601/163
			4,998,880	3/1991	Nerli .	
			5,013,241	5/1991	von Gutfeld et al. .	
			5,027,798	7/1991	Primiano .	
			5,033,961	7/1991	Kankler et al. .	
			5,082,443	1/1992	Löhn .	
			5,086,756	2/1992	Powell .	
			5,095,893	3/1992	Rawden, Jr. .	
			5,125,835	6/1992	Young .	
			5,142,723	9/1992	Lustig et al. .	
			5,199,871	4/1993	Young .	
			5,204,004	4/1993	Johnston et al. .	
			5,218,956	6/1993	Handler et al. .	
			5,220,914	6/1993	Thompson .	
			5,246,367	9/1993	Ito et al. .	
			5,252,064	10/1993	Baum et al. .	
			5,281,137	1/1994	Jousson .	
			5,286,201	2/1994	Yu .	
			5,321,865	6/1994	Kaeser .	
			5,344,317	9/1994	Pächer et al. .	
			5,378,149	1/1995	Stropko .	
			5,456,672	10/1995	Diederich et al. .	
			5,468,148	11/1995	Ricks .	
			5,470,305	11/1995	Arnett et al. .	
			5,474,450	12/1995	Chronister .	
			5,484,281	1/1996	Renow et al. .	
			5,547,374	8/1996	Coleman .	
			5,554,025	9/1996	Kinsel .	
			5,616,028	4/1997	Häfele et al. .	
			5,636,987	6/1997	Serfaty .	
			5,640,735	6/1997	Manning .	
			5,667,483 *	9/1997	Santos .....	601/162
			5,697,784	12/1997	Häfele et al. .	
			5,709,545	1/1998	Johnston et al. .	
3,227,158	1/1966	Mattingly .				
3,522,801	8/1970	Robinson .				
3,547,110	12/1970	Balamuth .				
3,636,947	1/1972	Balamuth .				
3,651,576	3/1972	Massa .				
3,809,977	5/1974	Balamuth et al. .				
4,060,870	12/1977	Cannarella .				
4,075,761	2/1978	Behne et al. .				
4,108,178	8/1978	Betush .				
4,144,646	3/1979	Takemoto et al. .				
4,182,038	1/1980	Fleer .				
4,215,476	8/1980	Armstrong .				
4,219,618	8/1980	Leonard .				
4,227,878	10/1980	Löhn .				
4,236,889	12/1980	Wright .				
4,249,899	2/1981	Davis .				
4,266,934	5/1981	Pernot .				
4,331,422	5/1982	Heyman .				
4,340,365	7/1982	Pisanu .				
4,340,368	7/1982	Lococo .				
4,365,376	12/1982	Oda et al. .				
4,382,786	5/1983	Löhn .				
4,412,823	11/1983	Sakai et al. .				
4,517,962	5/1985	Heckele .				
4,531,912	7/1985	Schuss et al. .				
4,531,913	7/1985	Taguchi .				
4,602,906	7/1986	Grünenfelder .				
4,619,612	10/1986	Weber et al. .				
4,629,425	12/1986	Detsch .				
4,648,838	3/1987	Schlachter .				
4,655,198	4/1987	Hommann .				
4,672,953	6/1987	DiVito .				
4,787,847	11/1988	Martin et al. .				
4,803,974	2/1989	Powell .				
4,804,364	2/1989	Dieras et al. .				
4,818,229	4/1989	Vasile .				
4,820,152	4/1989	Warrin et al. .				
4,826,431	5/1989	Fujimura et al. .				
4,854,869	8/1989	Lawhorn .				
4,886,452	12/1989	Löhn .				
4,902,225	2/1990	Löhn .				



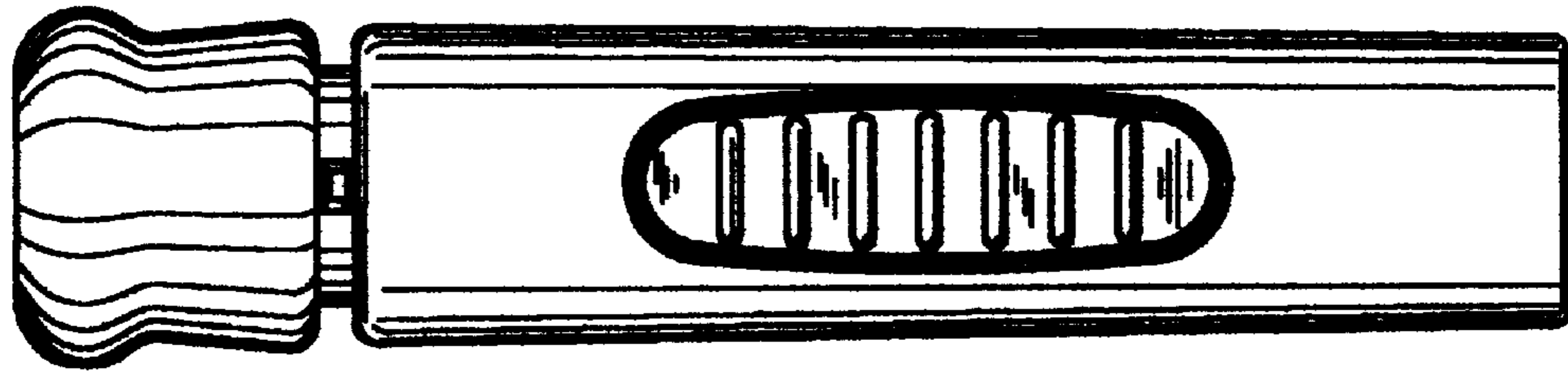
**Fig. 1**



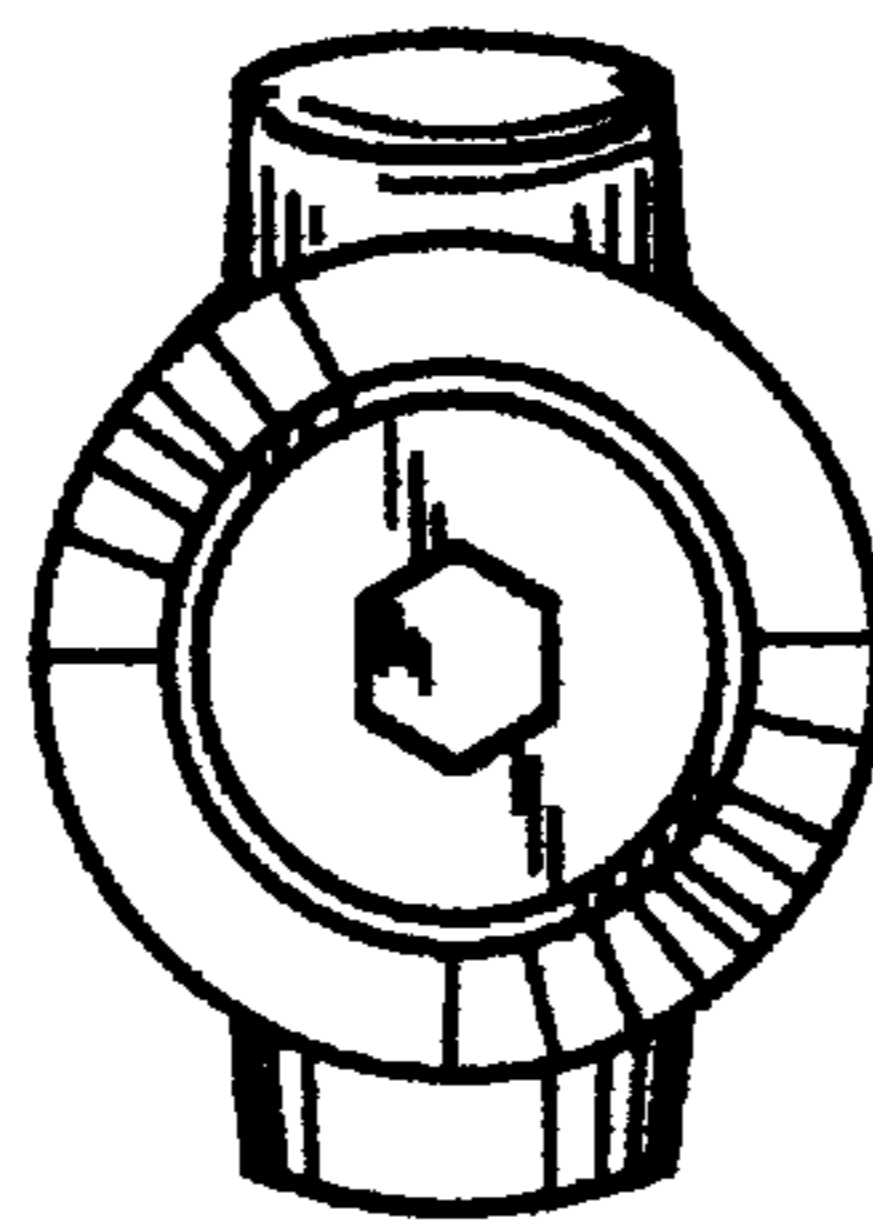
**Fig. 2**



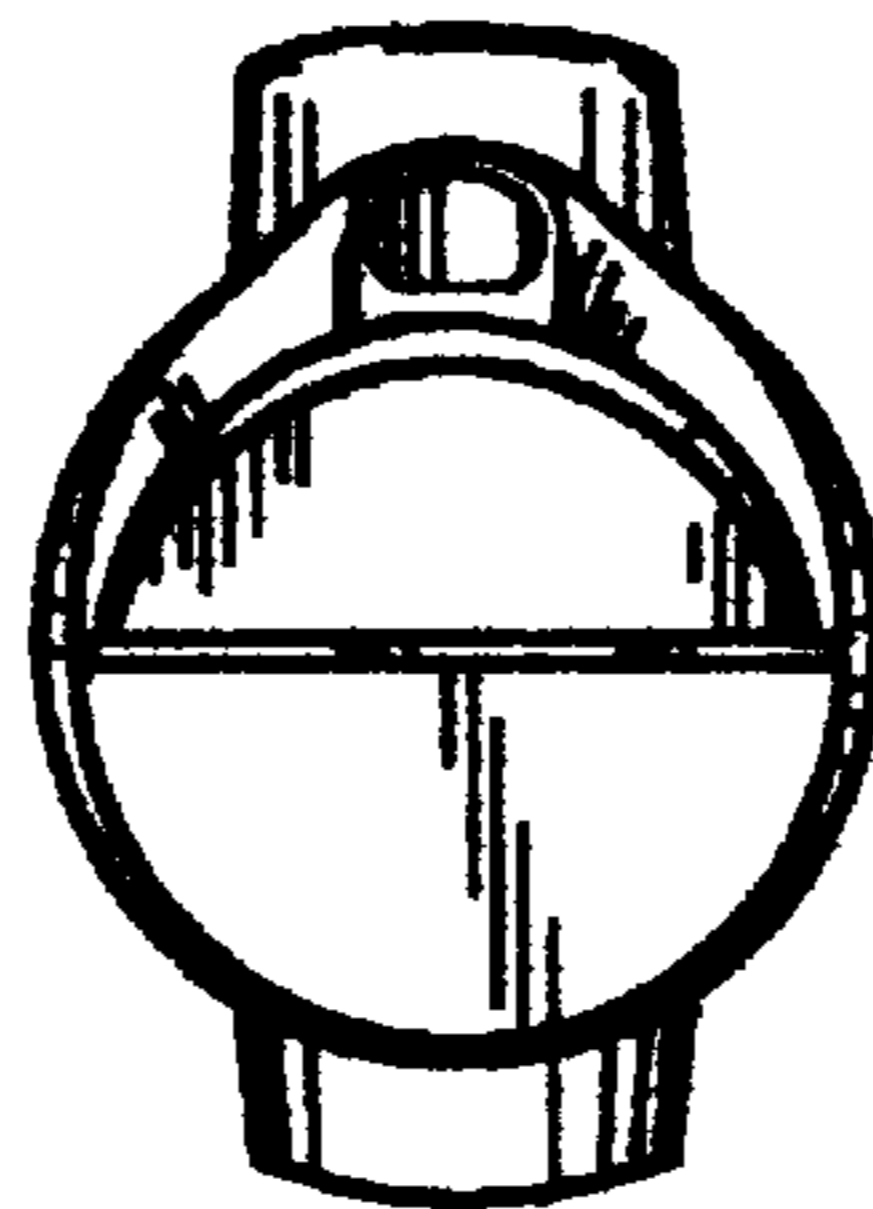
**Fig. 3**



**Fig. 4**



**Fig. 5**



**Fig. 6**