



US00D435903S

(12) **United States Design Patent**
Wang

(10) **Patent No.:** **US D435,903 S**

(45) **Date of Patent:** **** Jan. 2, 2001**

(54) **PRESSURIZED OIL MIST RECEIVING DEVICE**

(76) **Inventor:** **Ming Chih Wang**, P.O. Box 63-99, Taichung (TW)

(**) **Term:** **14 Years**

(21) **Appl. No.:** **29/115,694**

(22) **Filed:** **Dec. 20, 1999**

(51) **LOC (7) Cl.** **23-99**

(52) **U.S. Cl.** **D23/416**

(58) **Field of Search** **D23/416, 213;**
210/23, 484, 494; 55/74, 98, 186, 487;
417/203

(56) **References Cited**

U.S. PATENT DOCUMENTS

3,617,548 * 11/1971 Willihnganz 210/23
4,118,206 * 10/1978 Hagendoorn 55/74

5,536,148 * 7/1996 Nishiuchi et al. 417/203

* cited by examiner

Primary Examiner—Mitchell Siegel

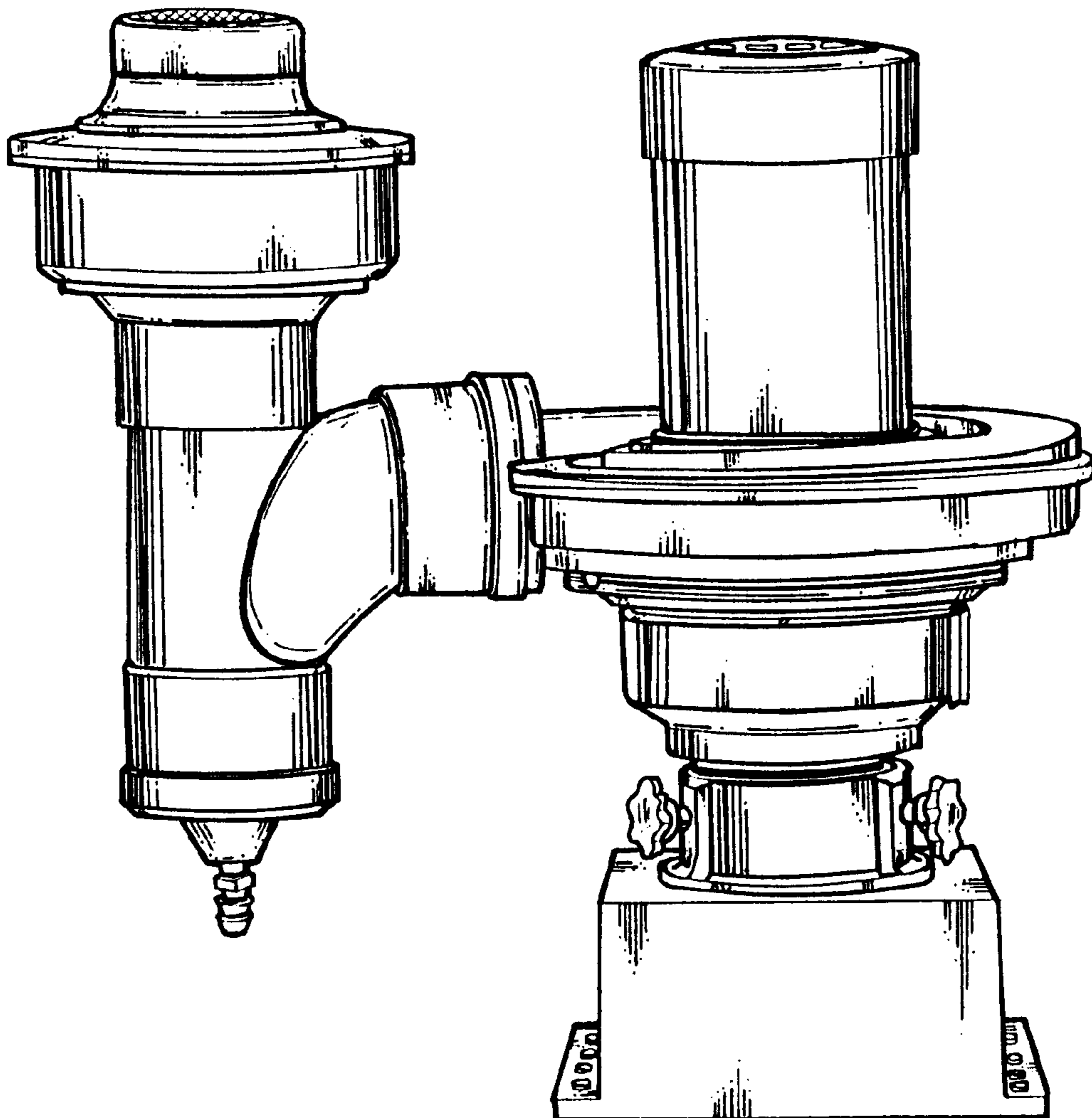
(57) **CLAIM**

The ornamental design for a pressurized oil mist receiving device, as shown and described.

DESCRIPTION

FIG. 1 is a perspective view of a pressurized oil mist receiving device showing my new design; FIG. 2 is a front elevational view thereof; FIG. 3 is a rear elevational view thereof; FIG. 4 is a top plan view thereof; FIG. 5 is a bottom plan view thereof; FIG. 6 is a left side elevational view thereof; and, FIG. 7 is a right side elevational view thereof.

1 Claim, 4 Drawing Sheets



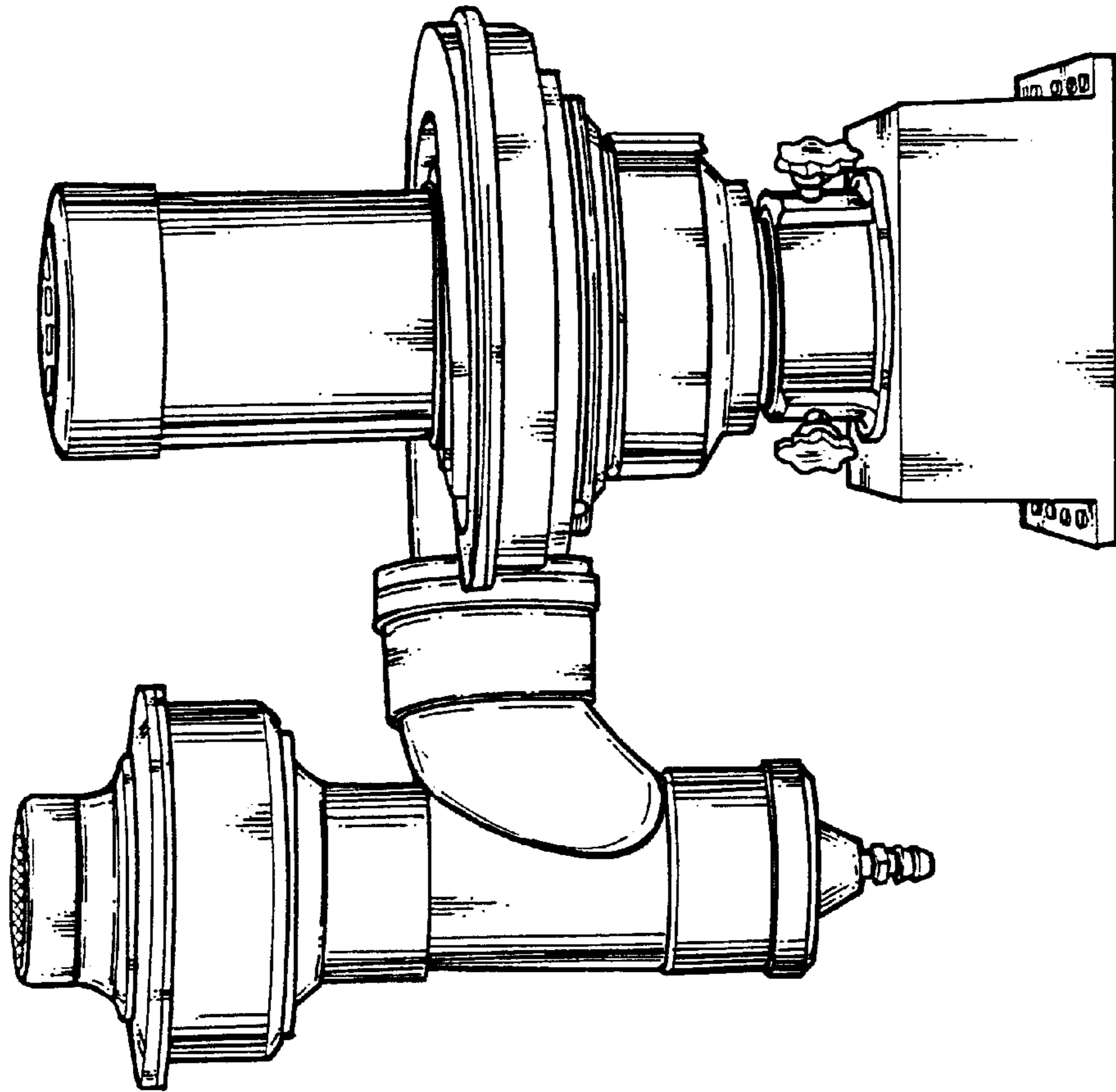


FIG. 1

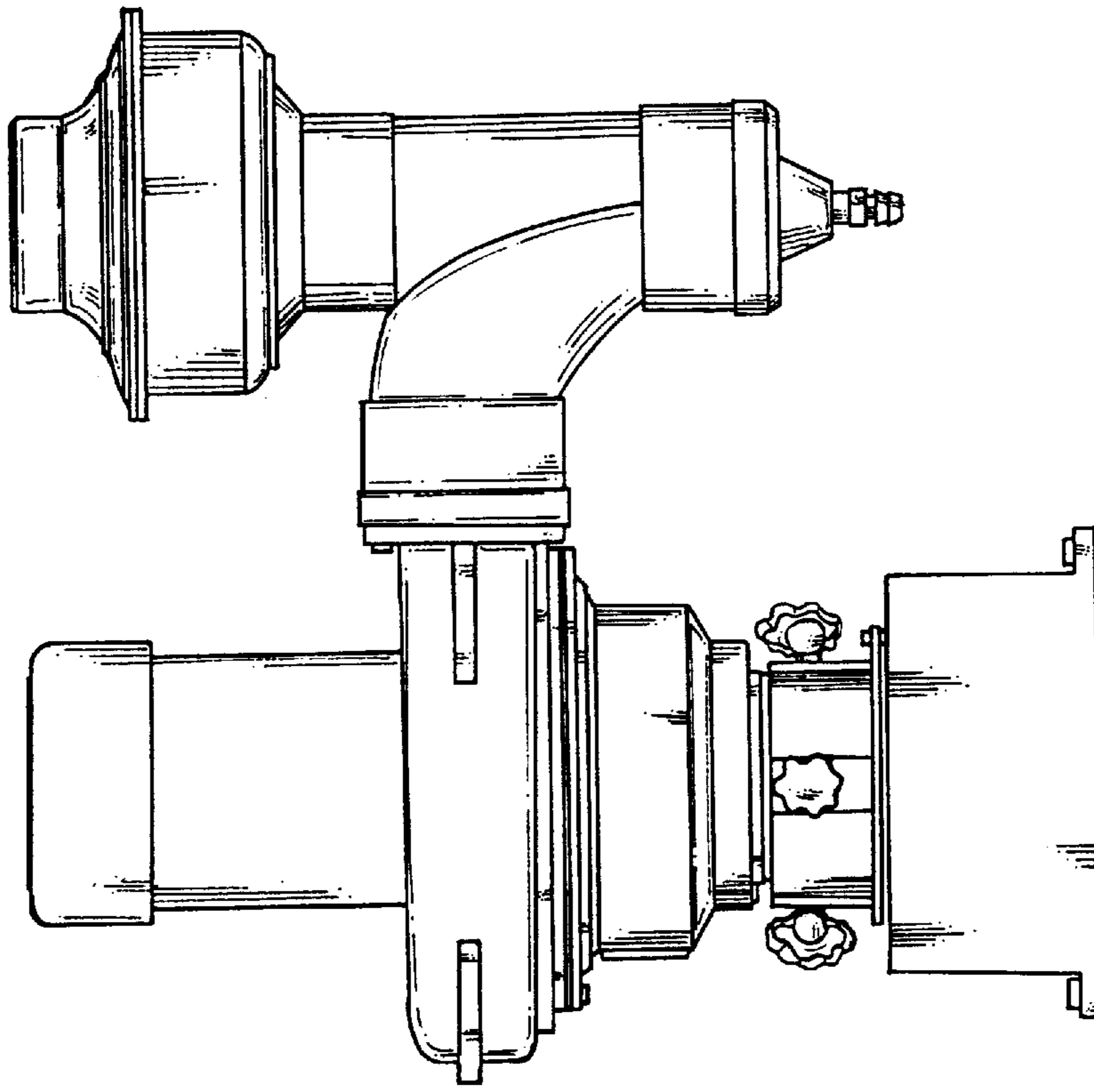


FIG. 3

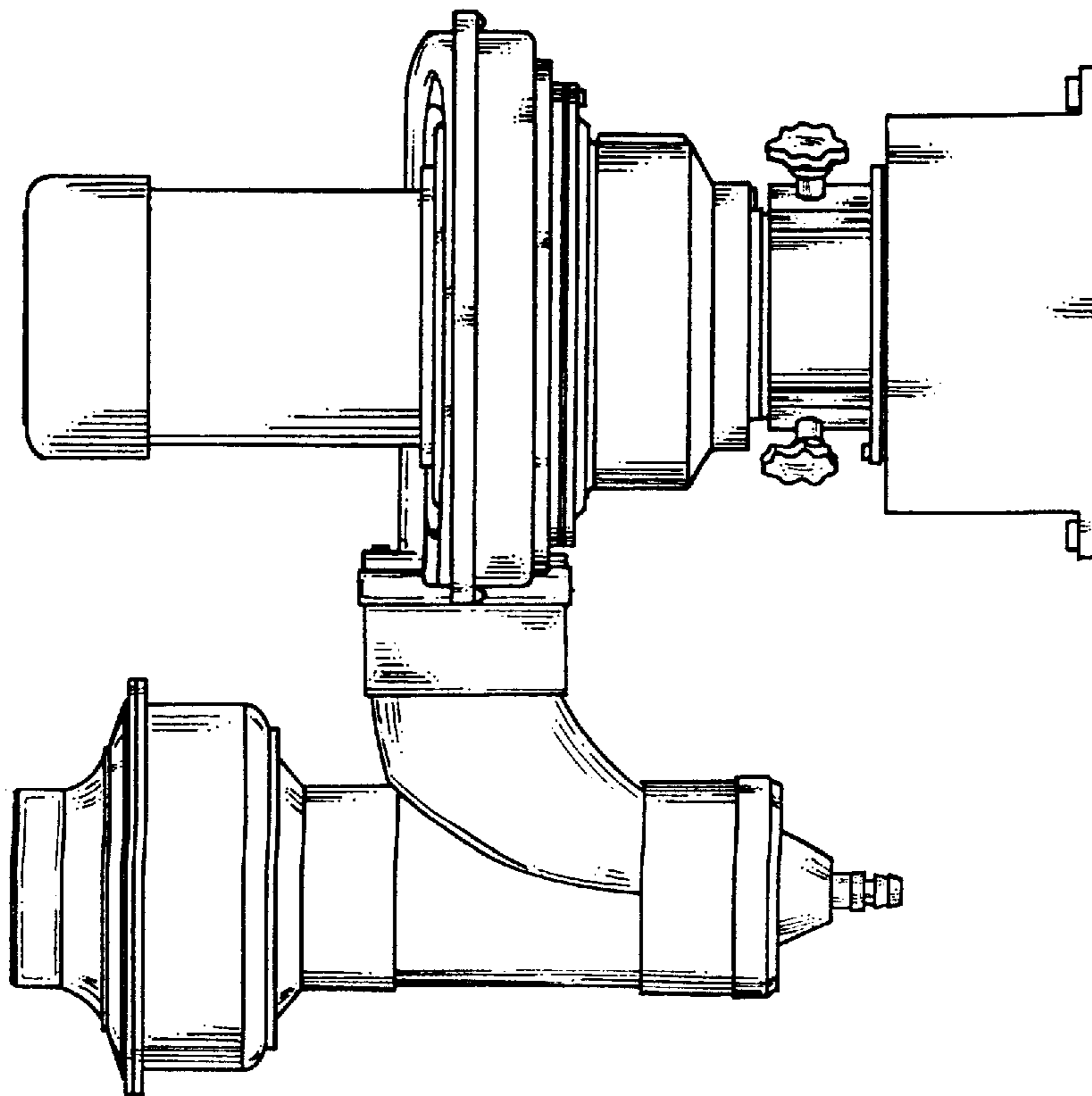


FIG. 2

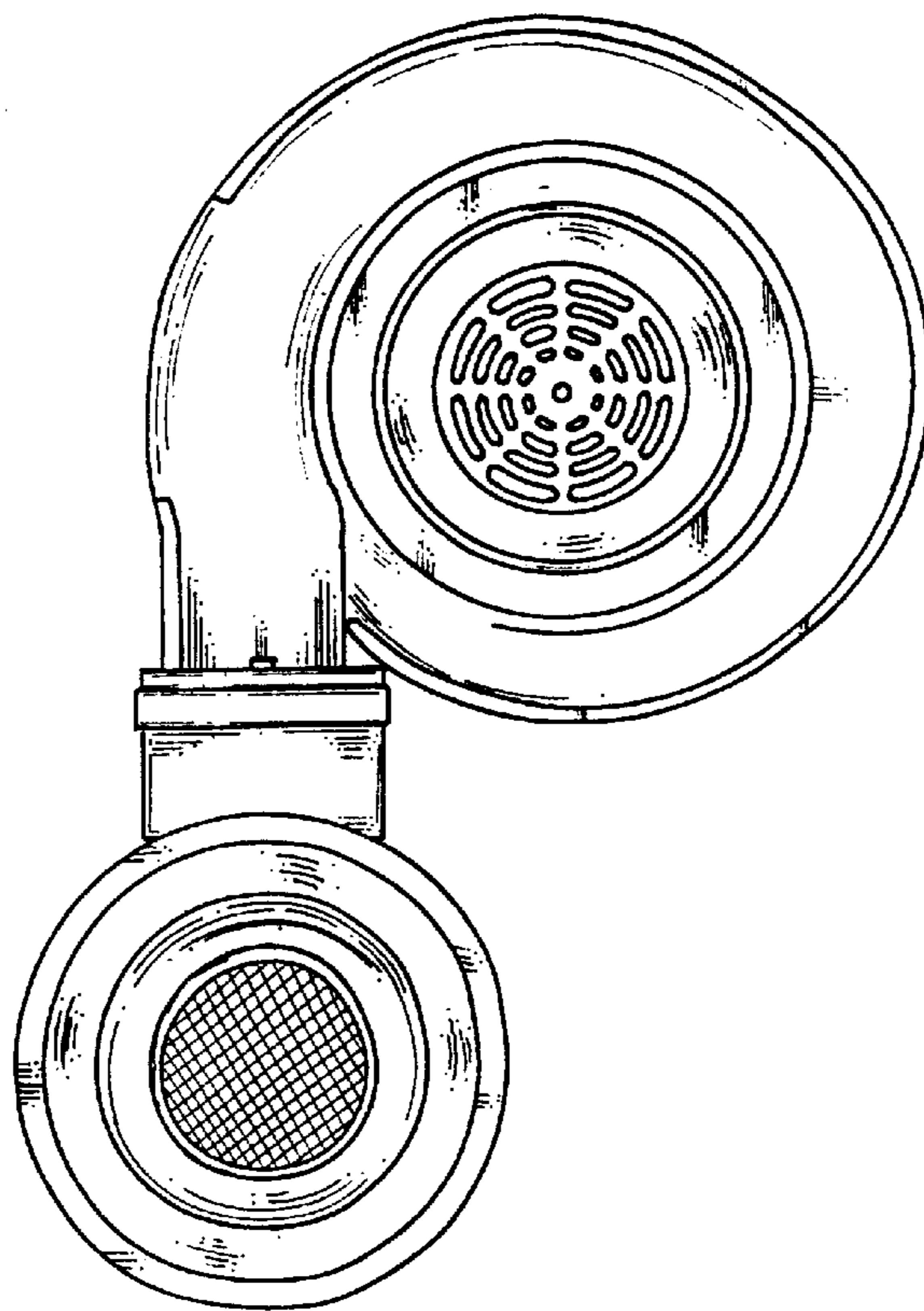


FIG. 4

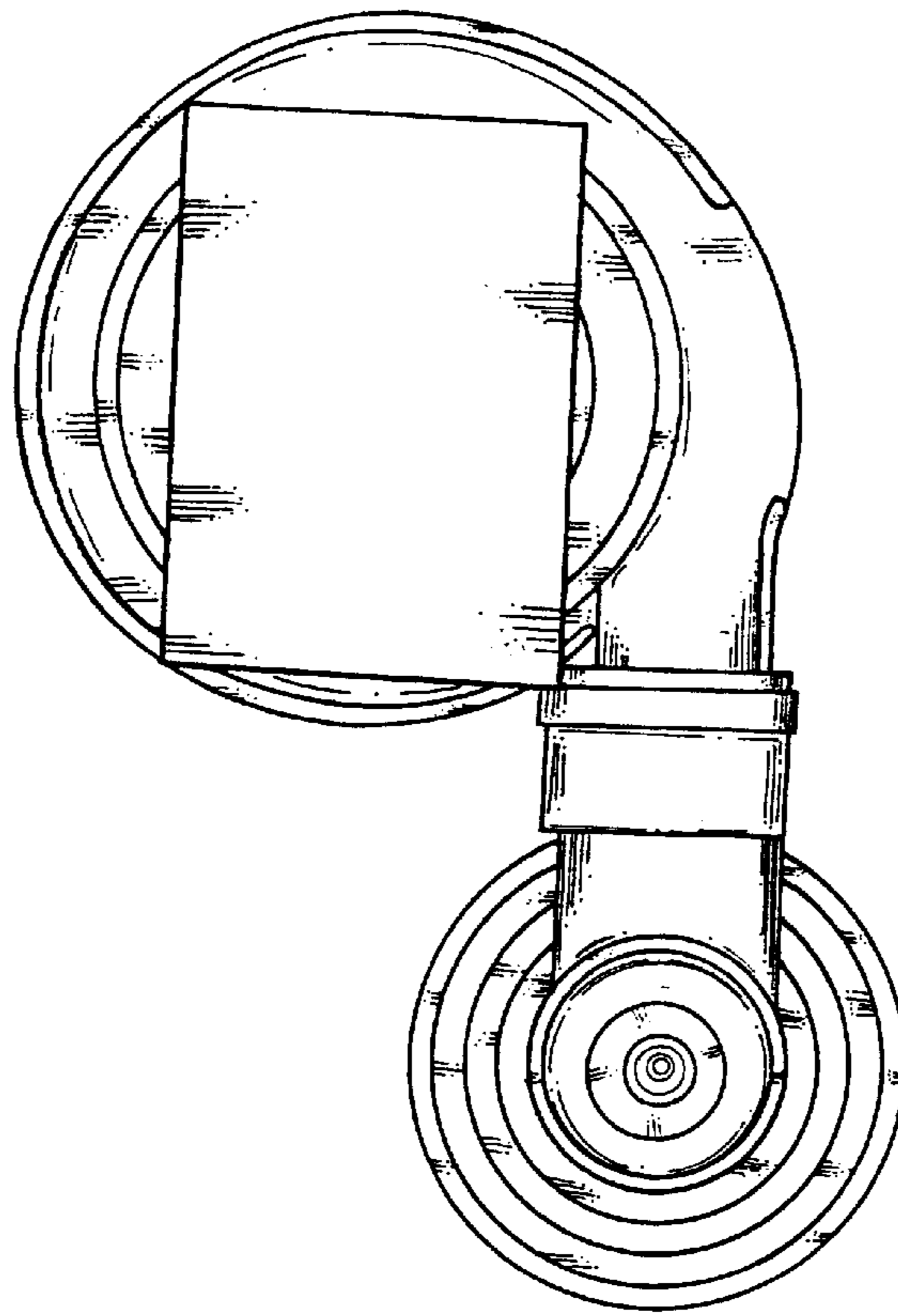


FIG. 5

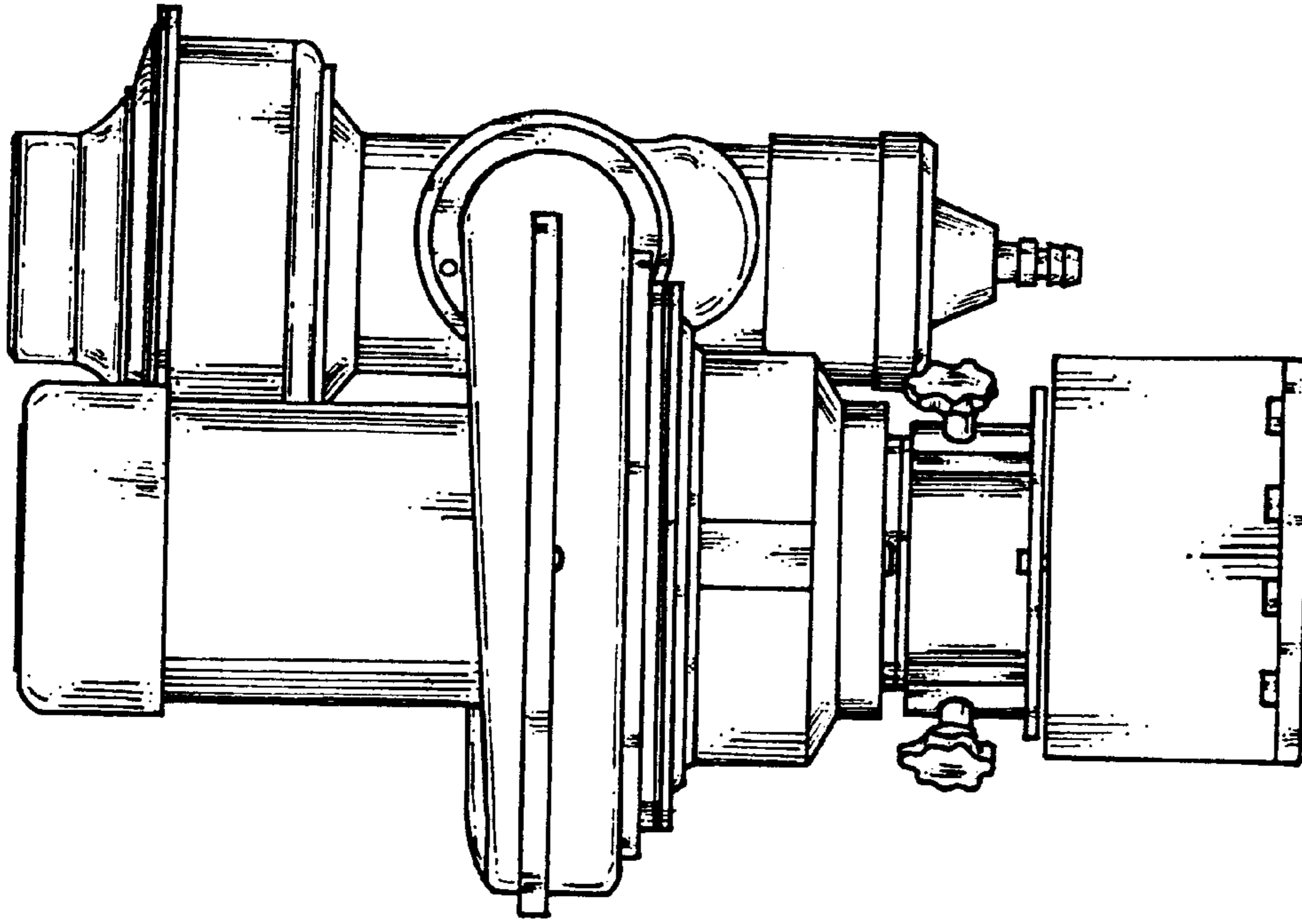


FIG. 7

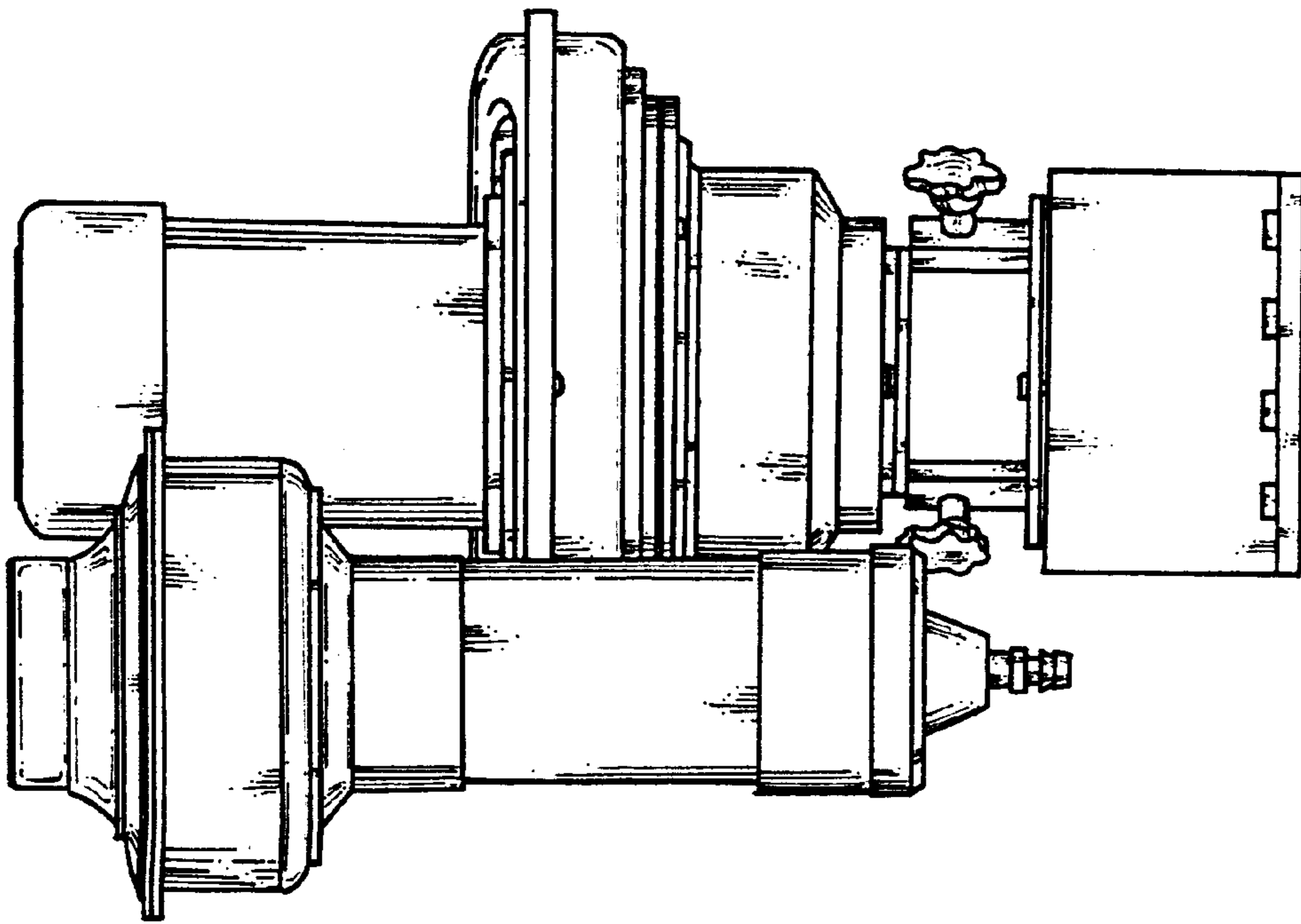


FIG. 6