



US00D435900S

(12) **United States Design Patent**
Dye

(10) **Patent No.:** **US D435,900 S**

(45) **Date of Patent:** **** Jan. 2, 2001**

- (54) **CEILING FAN BRACKET UNIT**
- (75) Inventor: **David L. Dye**, Grapevine, TX (US)
- (73) Assignee: **Craftmade International, Inc.**,
Coppell, TX (US)
- (**) Term: **14 Years**
- (21) Appl. No.: **29/123,812**
- (22) Filed: **May 25, 2000**

- D. 382,955 * 8/1997 Liu D23/411
- D. 393,902 * 4/1998 Pickett D23/377
- D. 399,949 * 10/1998 Chou D23/413

* cited by examiner

Primary Examiner—Lisa Lichtenstein

(74) *Attorney, Agent, or Firm*—Haynes and Boone LLP

(57) **CLAIM**

The ornamental design for a ceiling fan bracket unit, as shown and described.

Related U.S. Application Data

- (63) Continuation of application No. 29/115,394, filed on Dec. 13, 1999.
- (51) **LOC (7) Cl.** **23-04**
- (52) **U.S. Cl.** **D23/411**
- (58) **Field of Search** D23/377, 379,
D23/385, 411, 413; 416/5

DESCRIPTION

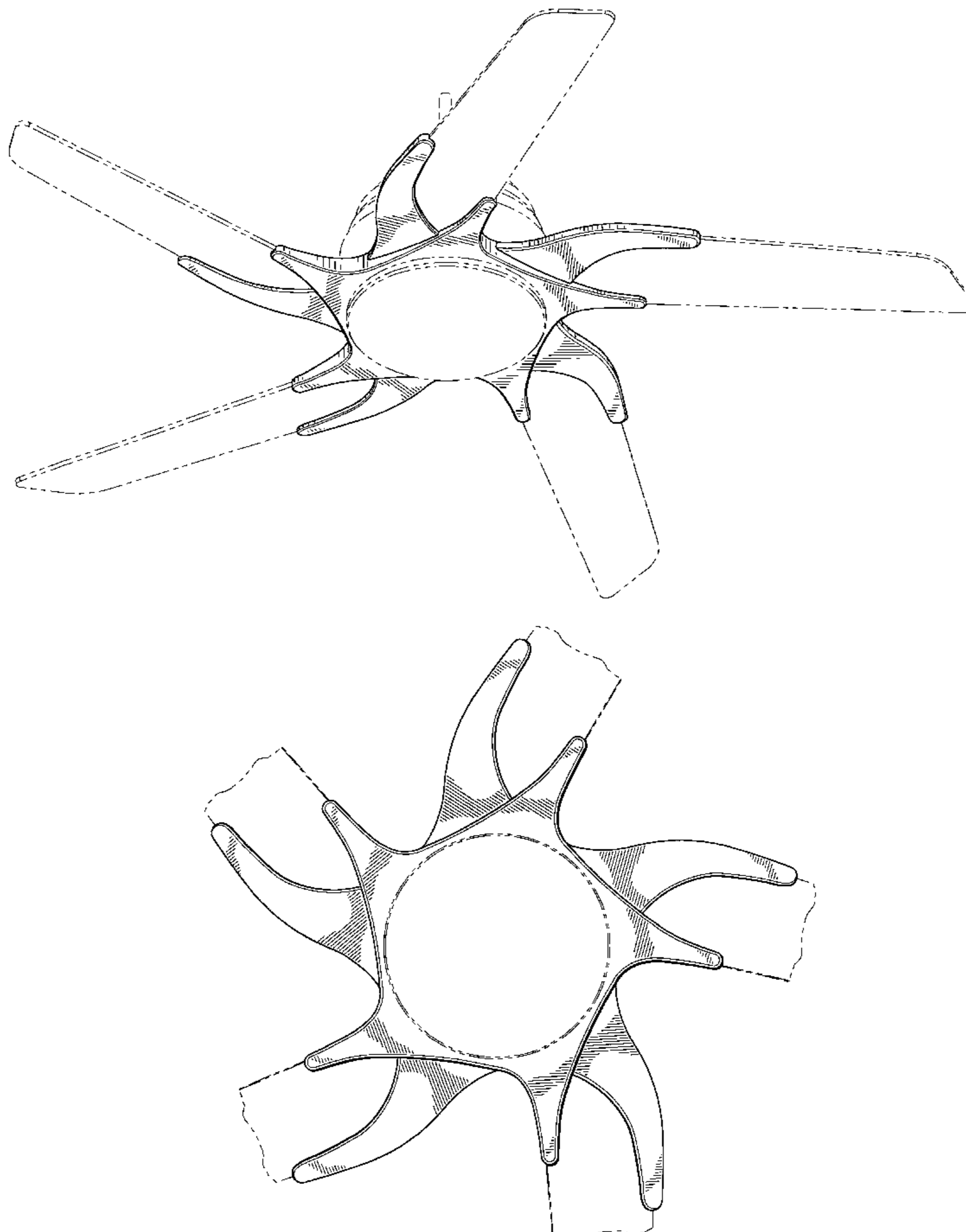
FIG. 1 is a bottom perspective view of the ceiling fan bracket unit showing my design;
 FIG. 2 is a bottom plan view thereof;
 FIG. 3 is a front view thereof, the rear being substantially identical to that shown except for the position of the blades;
 FIG. 4 is a right side view thereof, the opposite side being substantially identical to that shown except for the position of the blades; and,
 FIG. 5 is a top plan view thereof.
 Any broken line illustration of environmental structure in the drawings is not part of the design sought to be patented.

(56) **References Cited**

U.S. PATENT DOCUMENTS

- D. 347,887 6/1994 Liu D23/377
- D. 357,978 5/1995 Young D23/377
- D. 380,539 7/1997 Liu D23/377

1 Claim, 4 Drawing Sheets



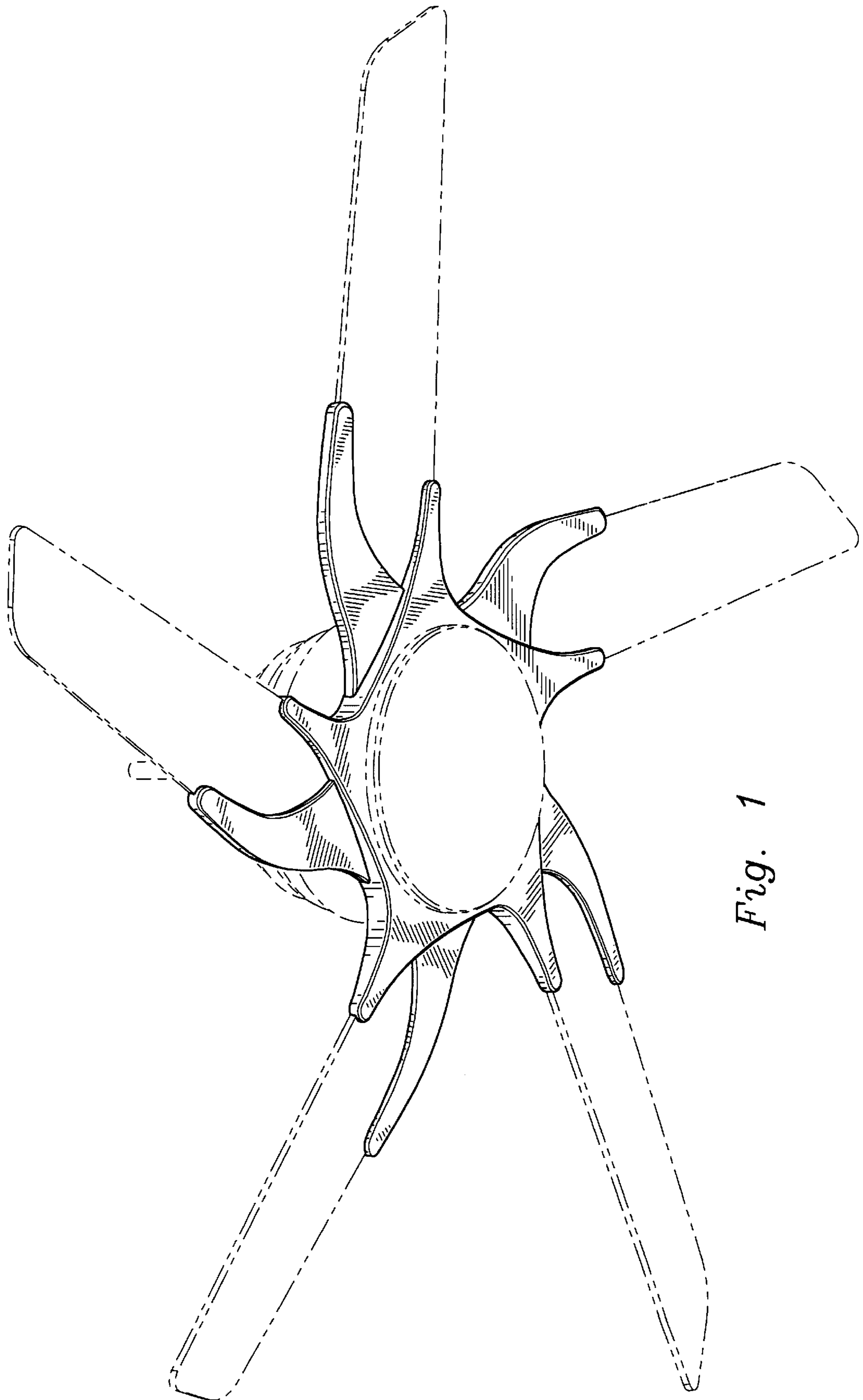


Fig. 1

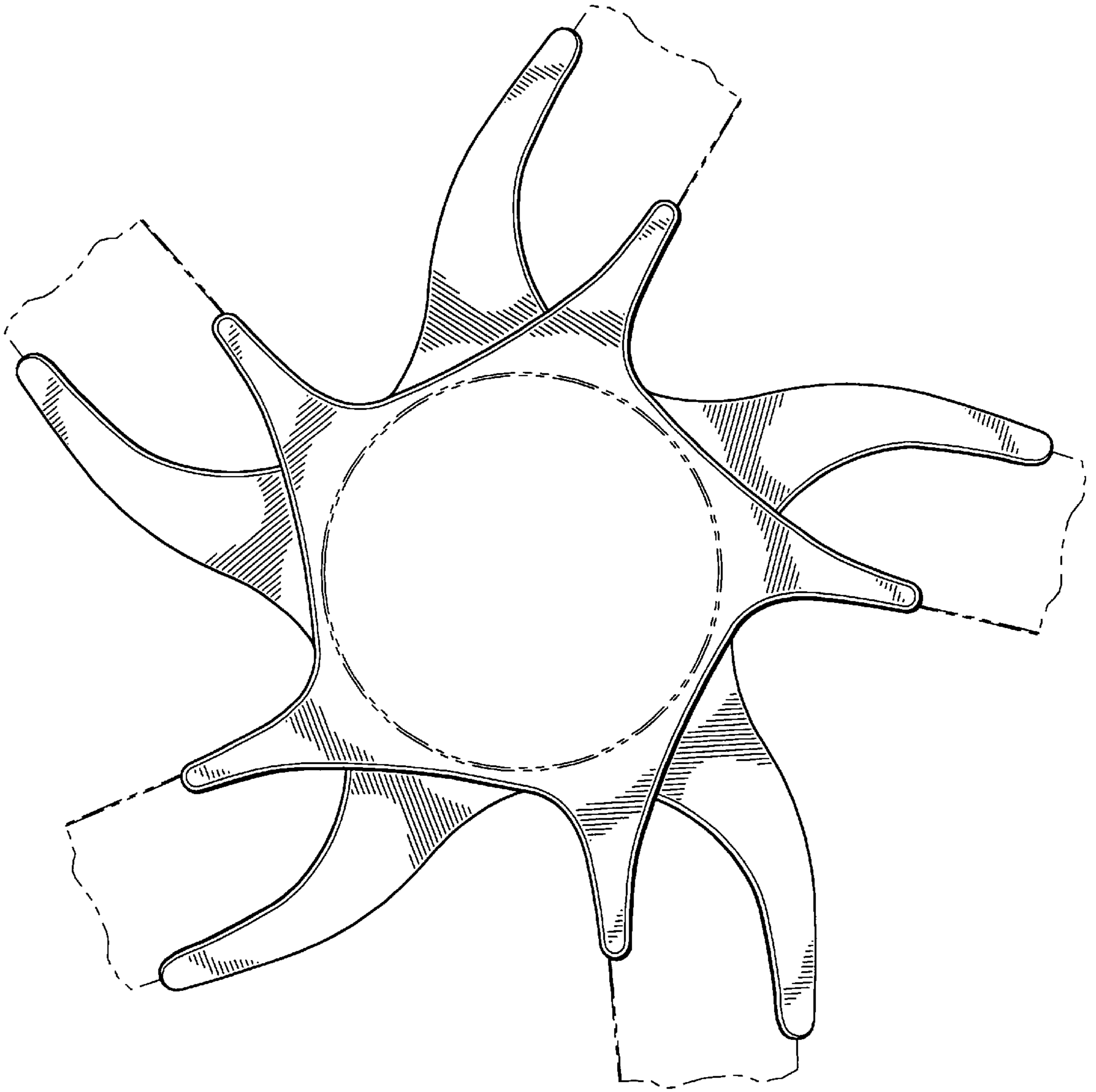


Fig. 2

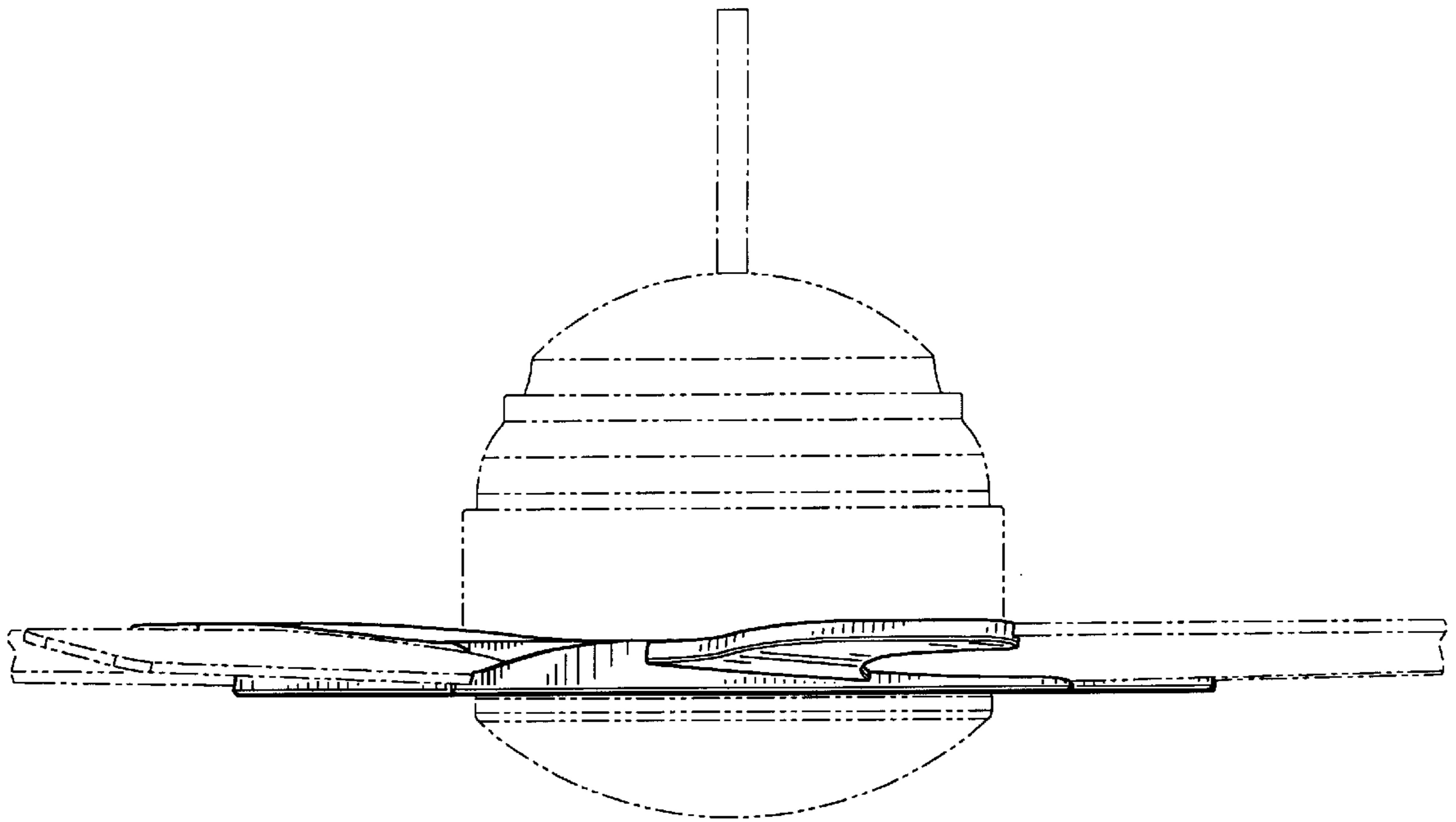


Fig. 3

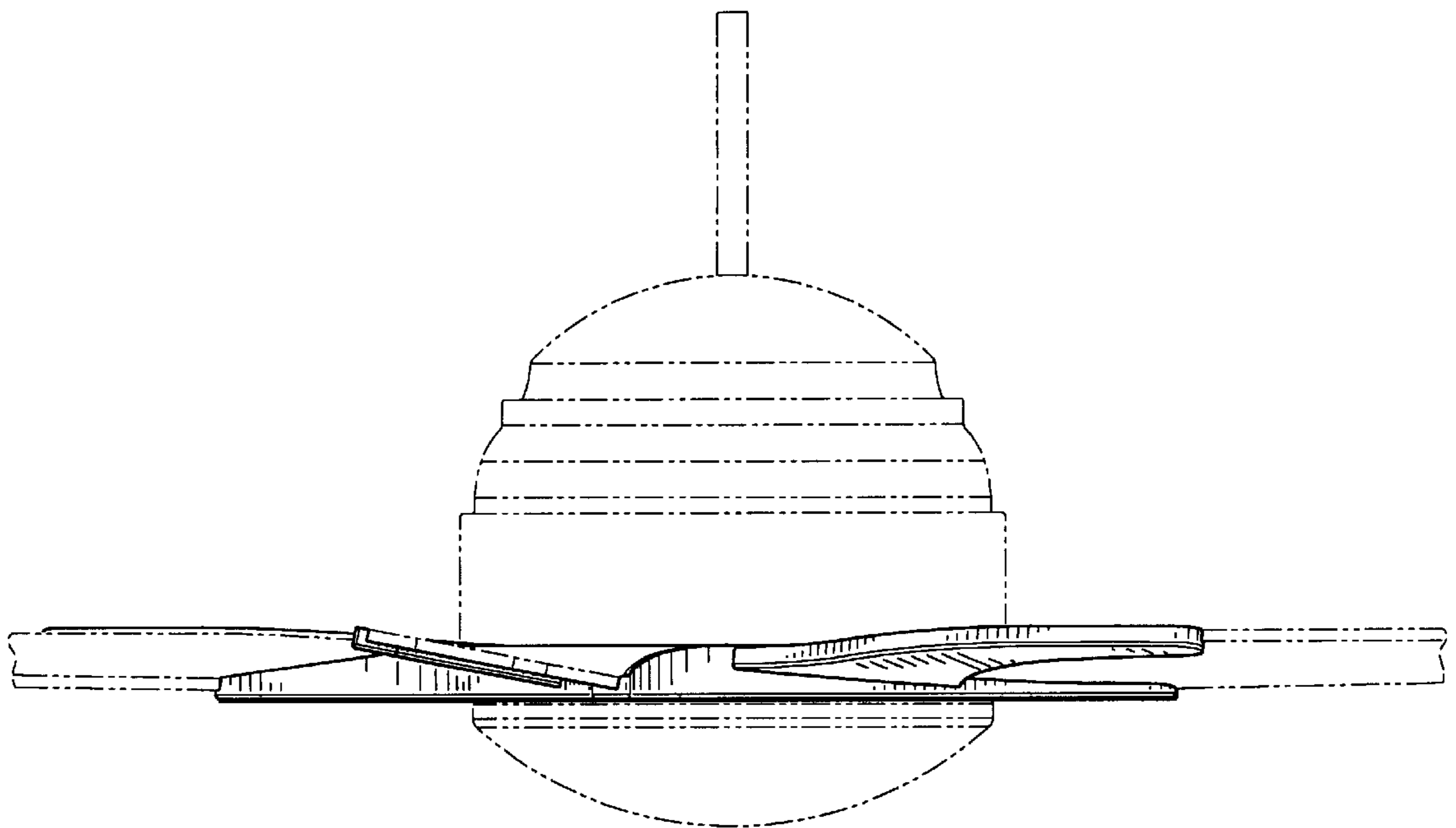


Fig. 4

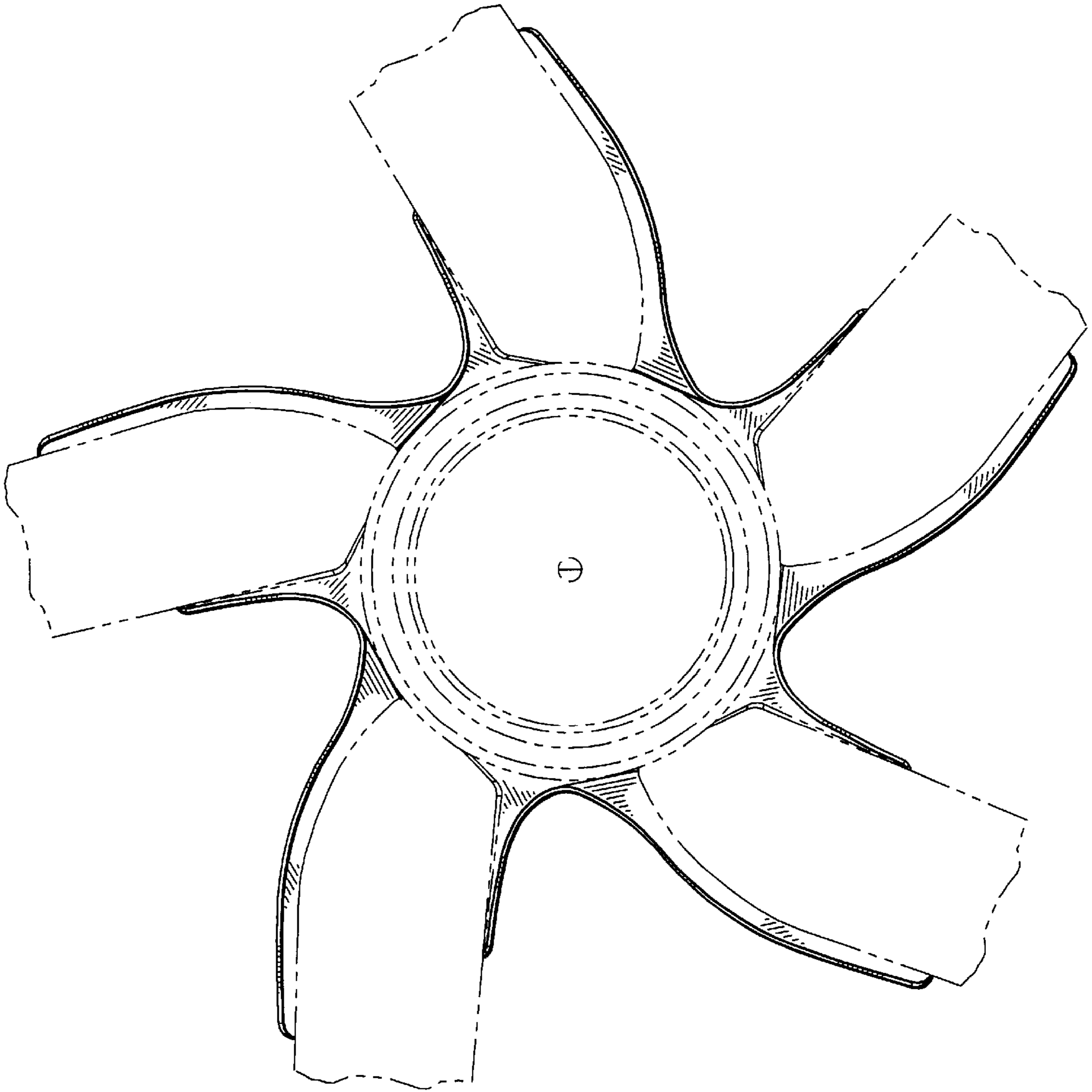


Fig. 5