



US00D435899S

(12) **United States Design Patent**
Melwani

(10) **Patent No.:** **US D435,899 S**

(45) **Date of Patent:** **** Jan. 2, 2001**

(54) **ELECTRIC FAN WITH CLAMP**

(75) Inventor: **Ravin G Melwani**, Hong Kong (HK)

(73) Assignee: **B.K. Rehkatex (H.K.) Ltd.**, Central (HK)

(**) Term: **14 Years**

(21) Appl. No.: **29/114,067**

(22) Filed: **Nov. 15, 1999**

(51) **LOC (7) Cl.** **23-04**

(52) **U.S. Cl.** **D23/382**

(58) **Field of Search** D23/381, 382,
D23/370; D8/395; 416/142, 244, 246, 247

(56) **References Cited**

U.S. PATENT DOCUMENTS

D. 295,070 * 4/1988 Shin-Chin D23/382

D. 387,153 * 12/1997 Fok D23/382

* cited by examiner

Primary Examiner—Lisa Lichtenstein

(74) *Attorney, Agent, or Firm*—Leydig, Voit & Mayer, Ltd.

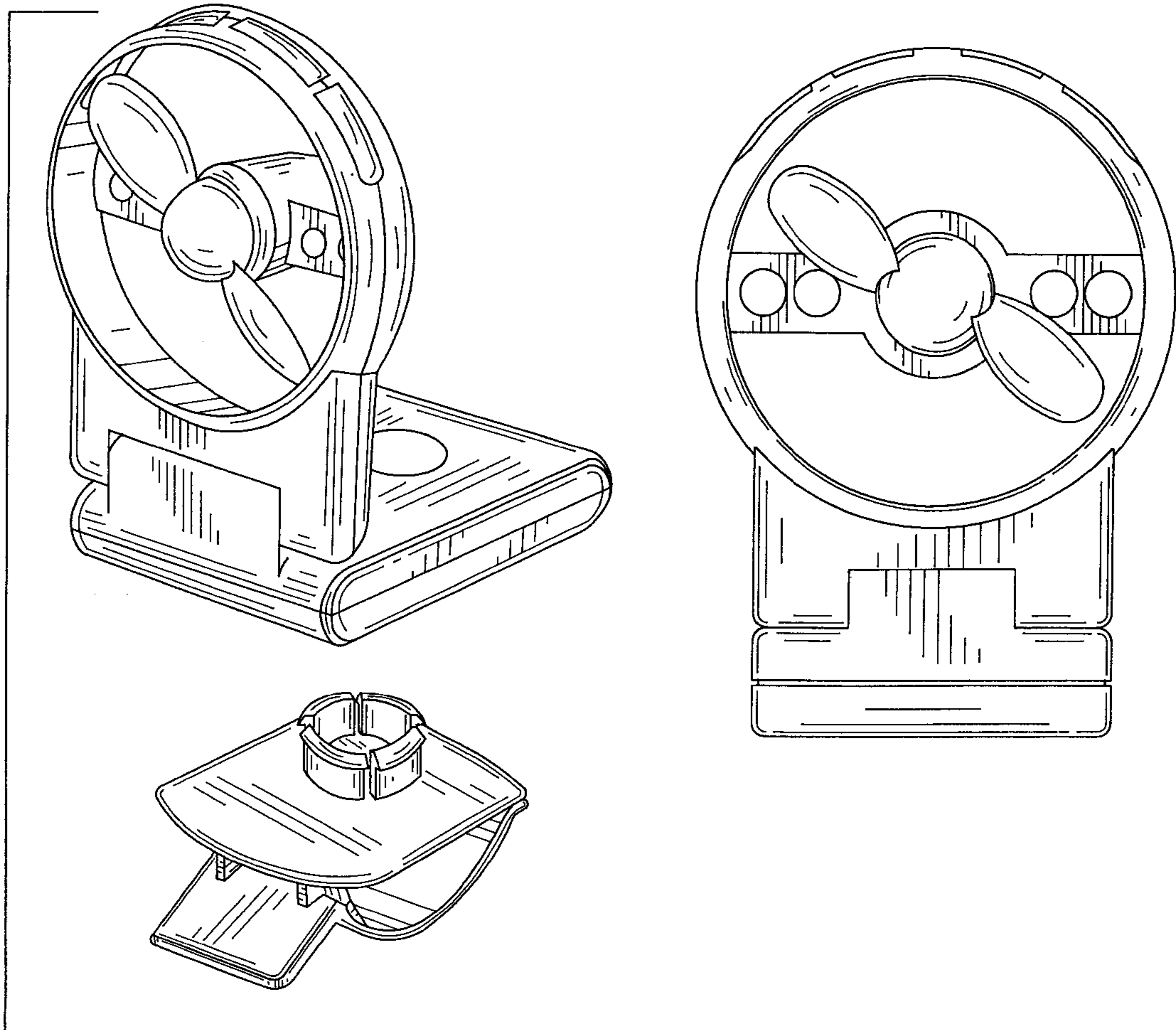
(57) **CLAIM**

The ornamental design for an electric fan with clamp, as shown and described.

DESCRIPTION

FIG. 1 is an exploded front, right side and top perspective view of an electric fan with clamp showing my new design; FIG. 2 is a front elevational view of the fan shown separately for clarity of illustration; FIG. 3 is a rear elevational view of FIG. 2; FIG. 4 is a right side elevational view of FIG. 2; FIG. 5 is a left side elevational view of FIG. 2; FIG. 6 is a top plan view of FIG. 2; FIG. 7 is a bottom plan view of FIG. 2; FIG. 8 is a front elevational view of the clamp shown separately for clarity of illustration; FIG. 9 is a rear elevational view of FIG. 8; FIG. 10 is a right side elevational view of FIG. 8; FIG. 11 is a left side elevational view of FIG. 8; FIG. 12 is a top plan view of FIG. 8; and, FIG. 13 is a bottom plan view of FIG. 8.

1 Claim, 6 Drawing Sheets



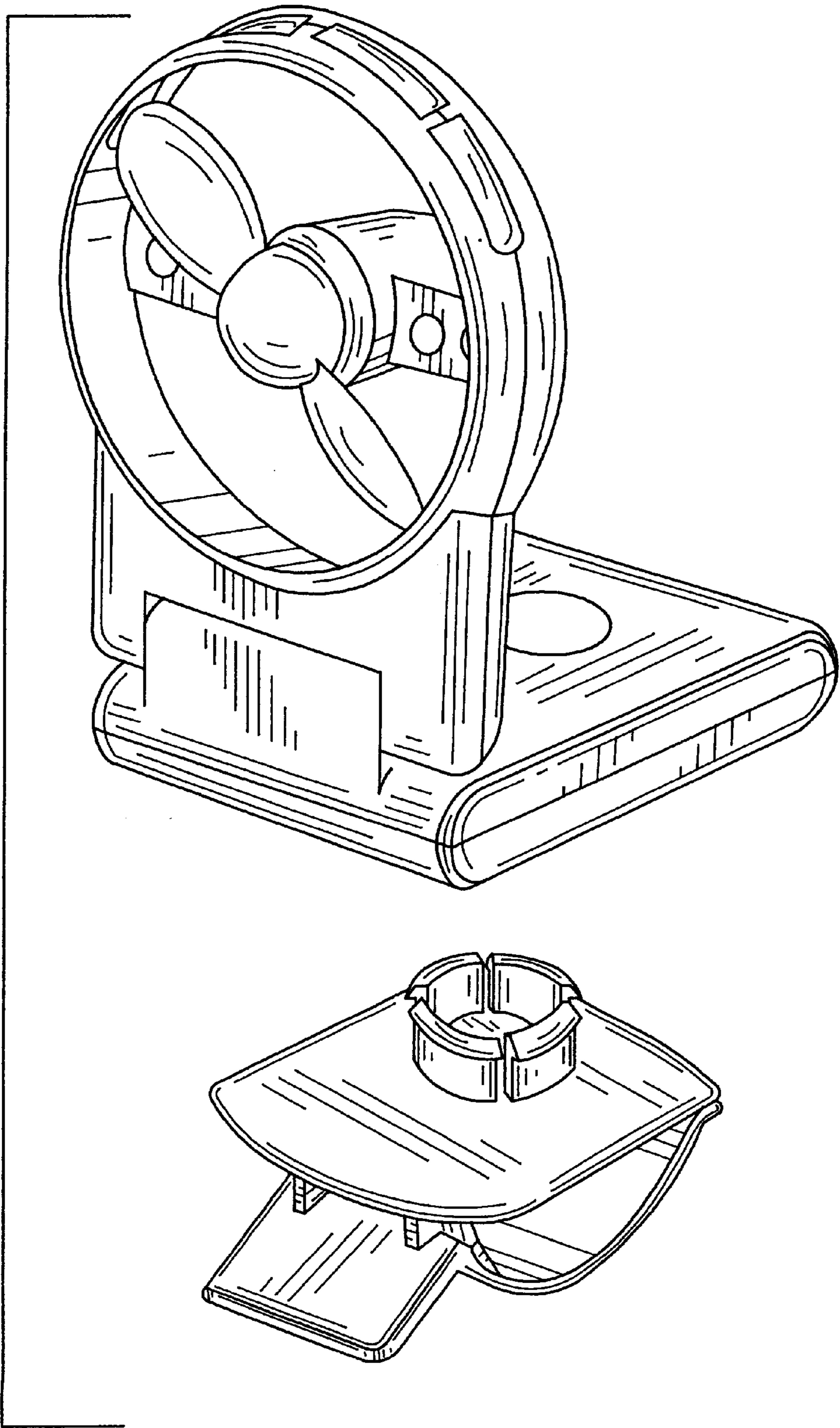


FIG. 1

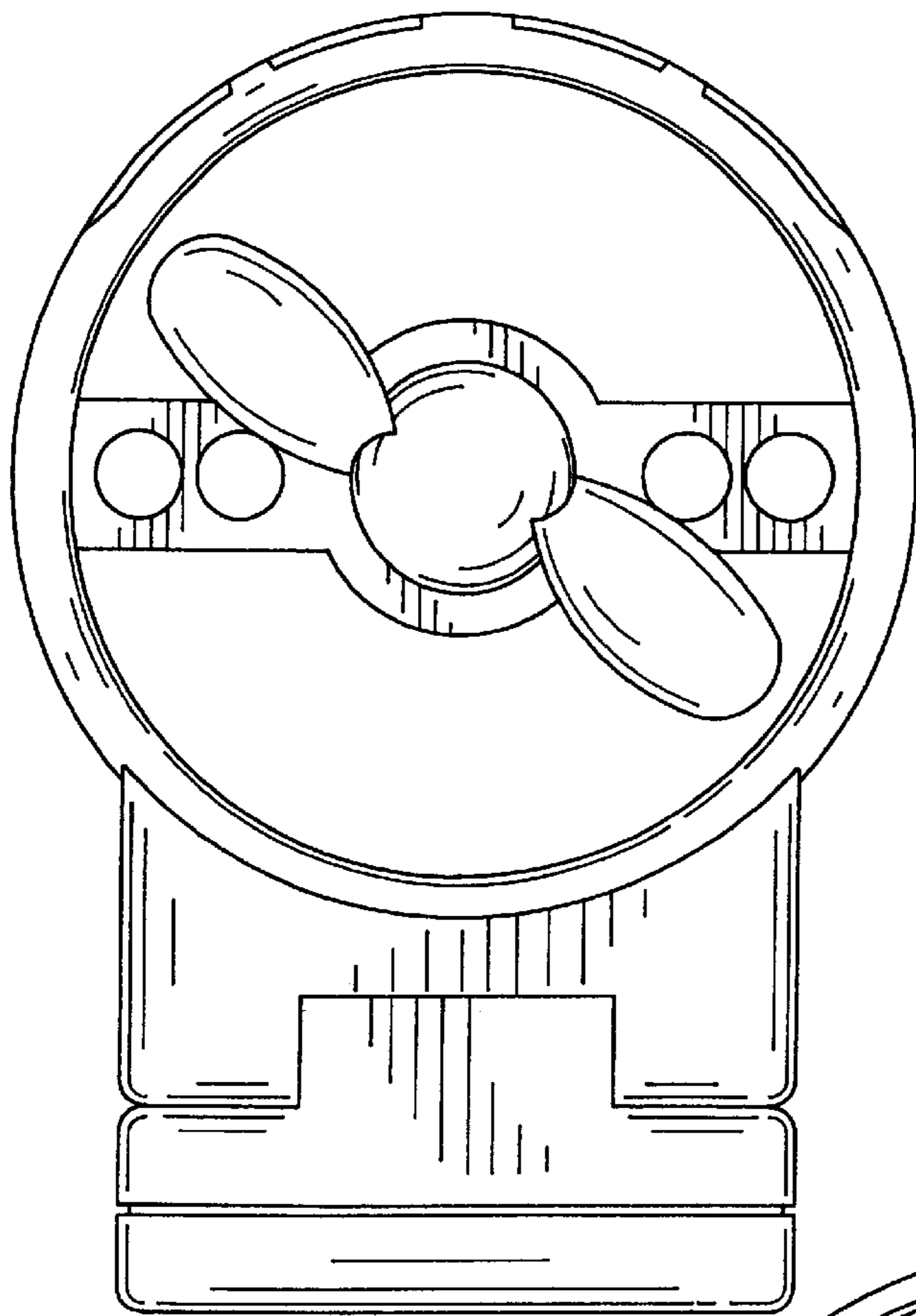


FIG. 2

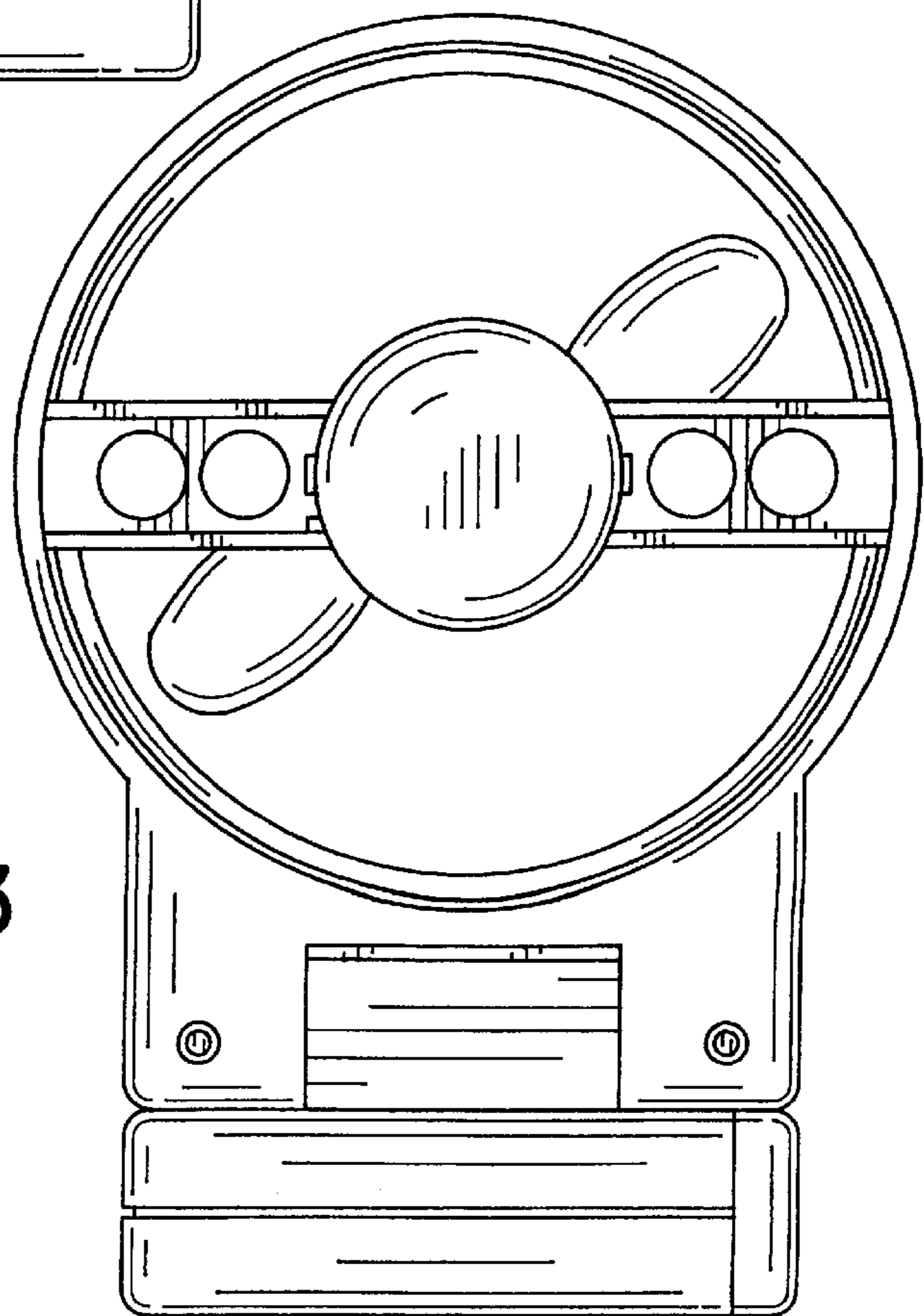


FIG. 3

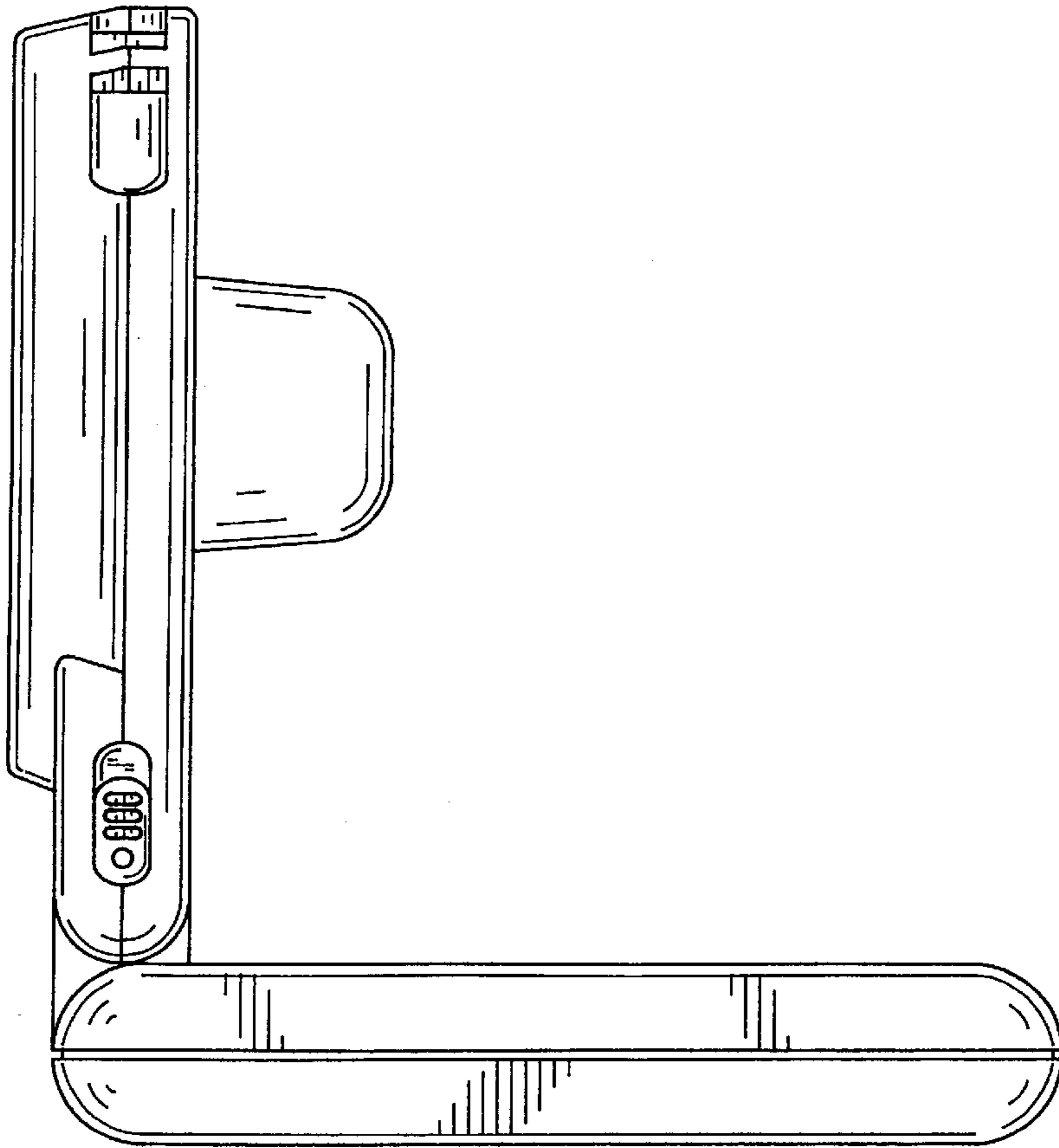


FIG. 4

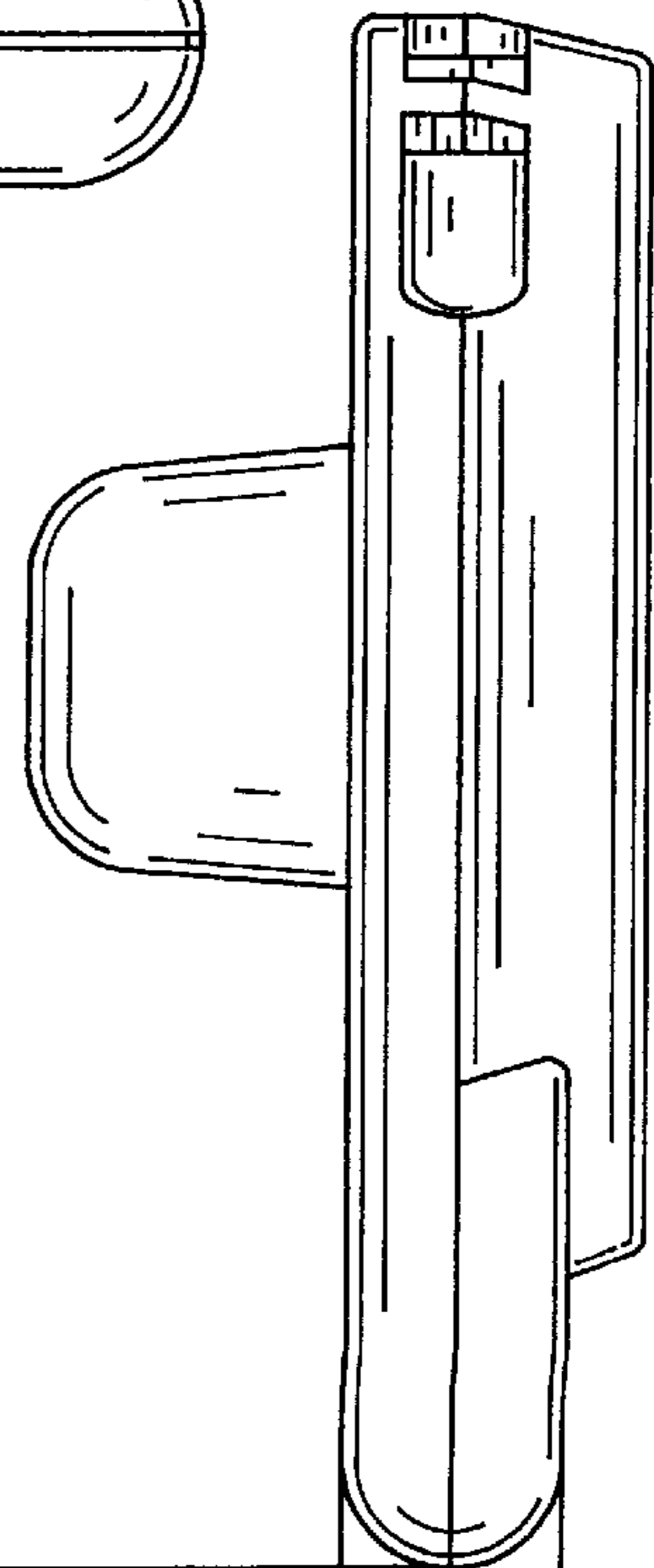


FIG. 5

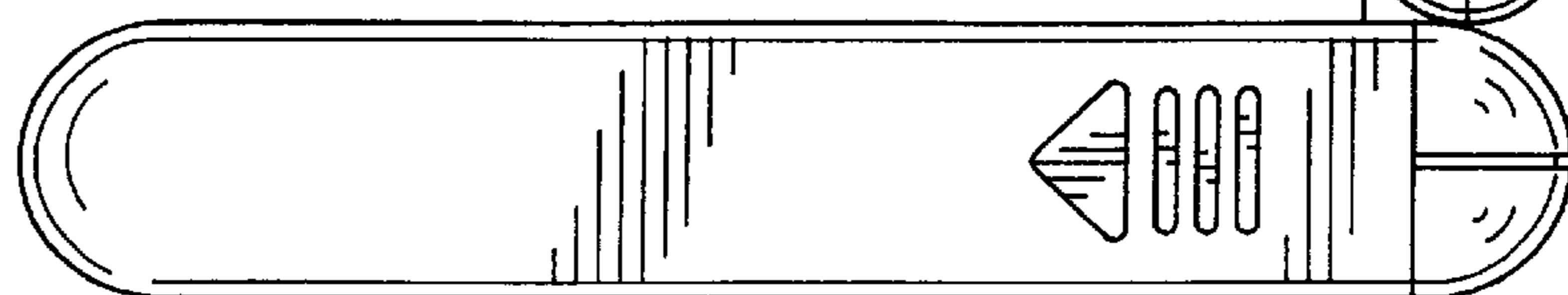


FIG. 6

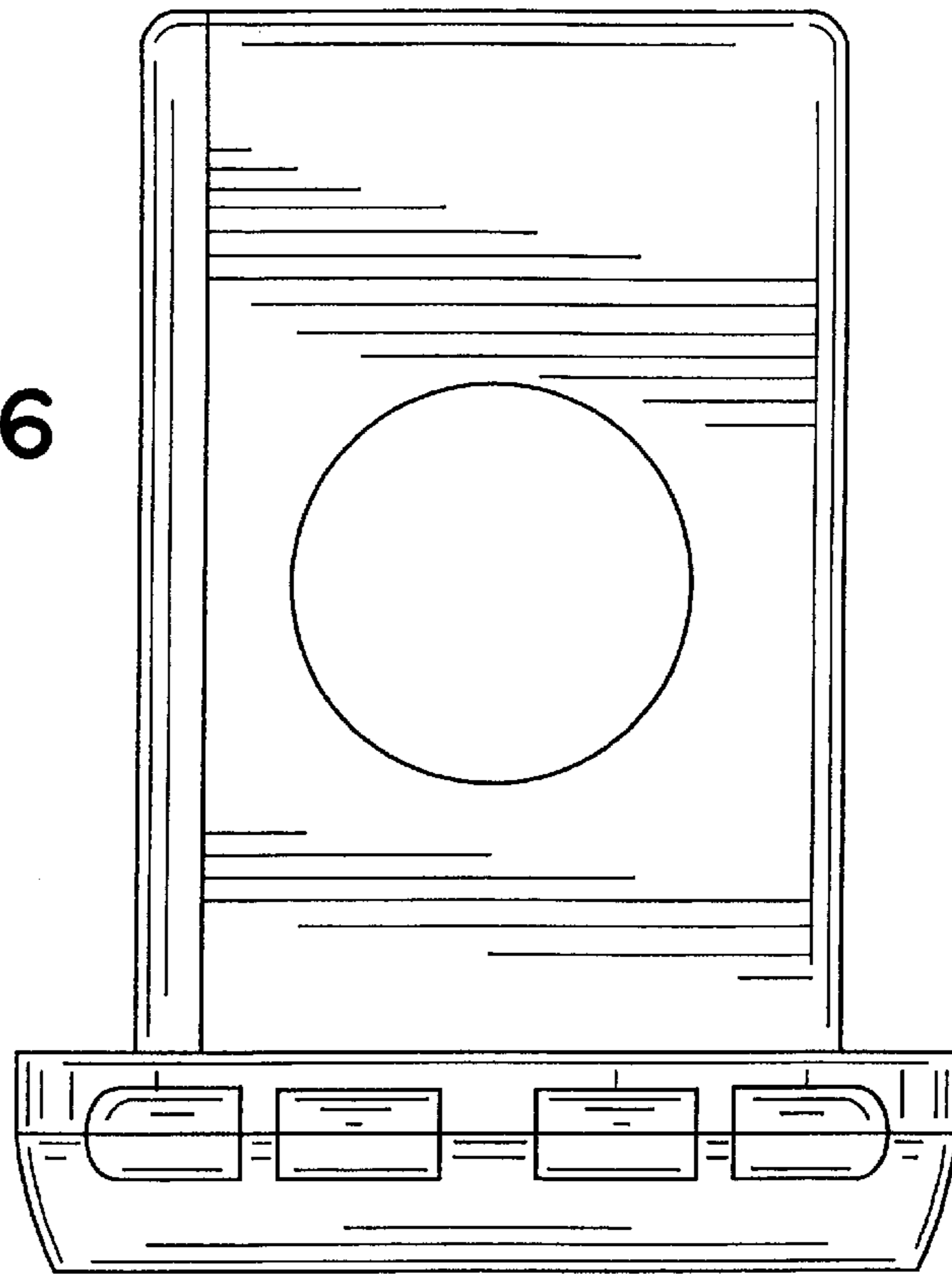
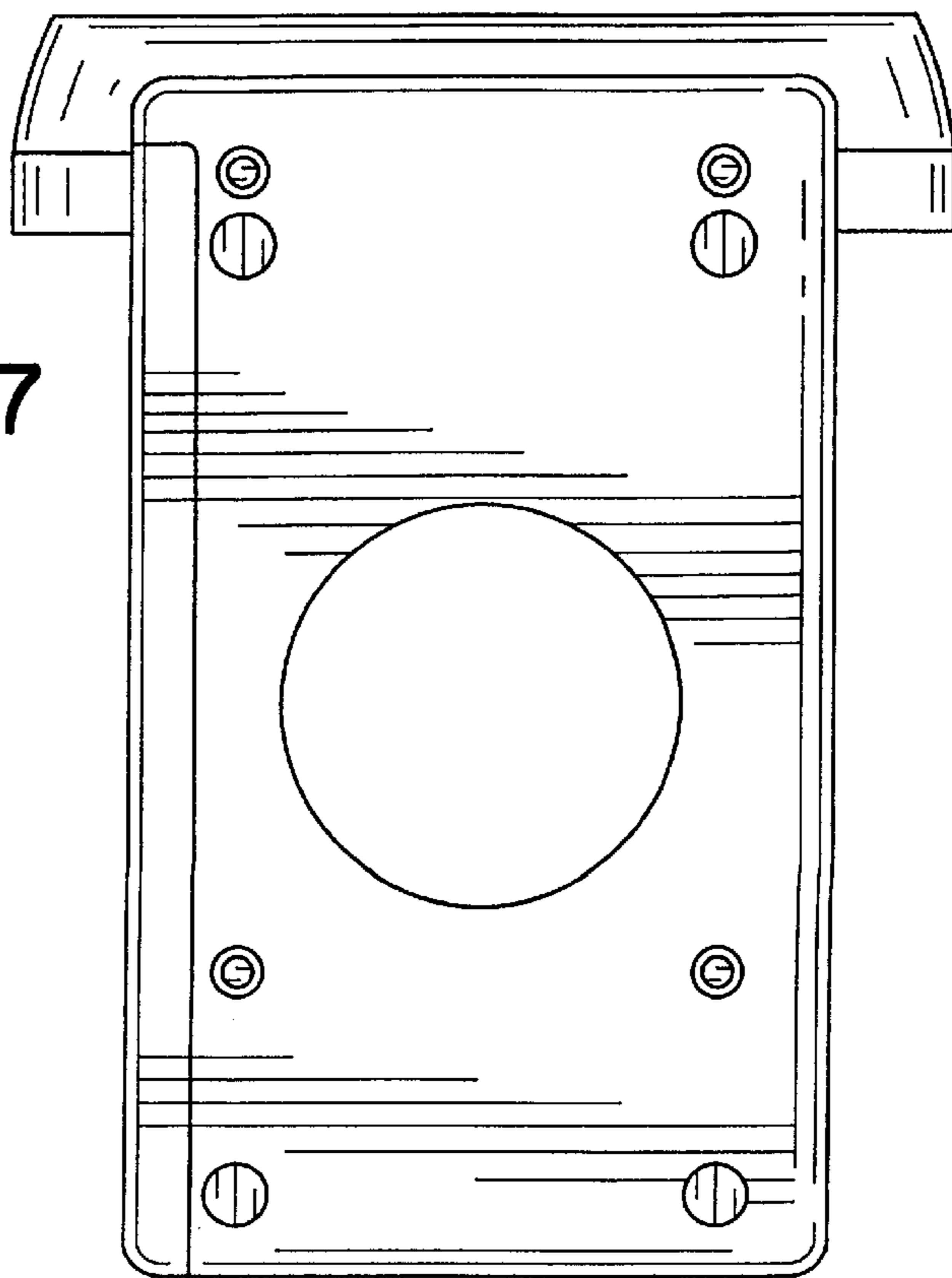


FIG. 7



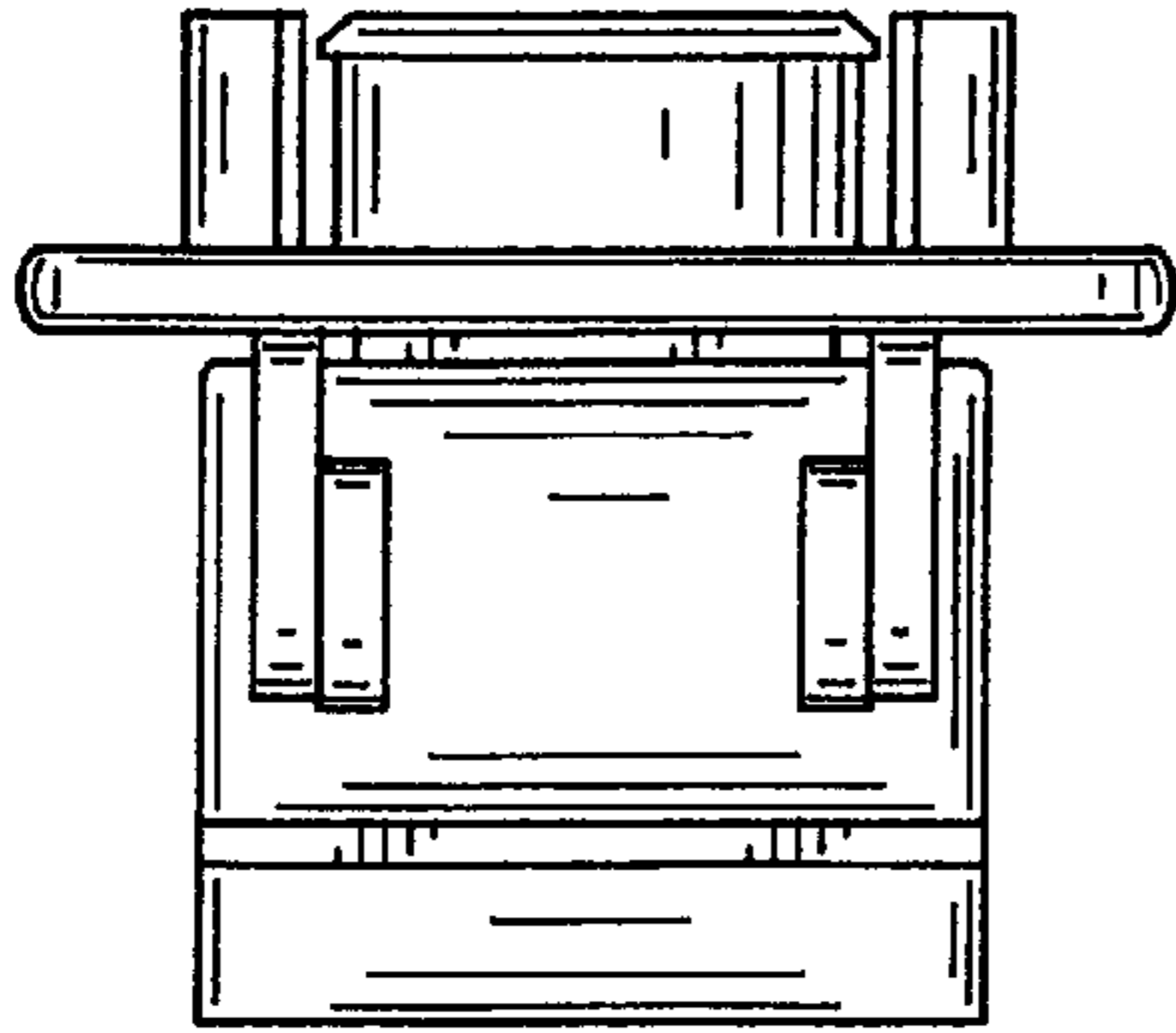


FIG. 8

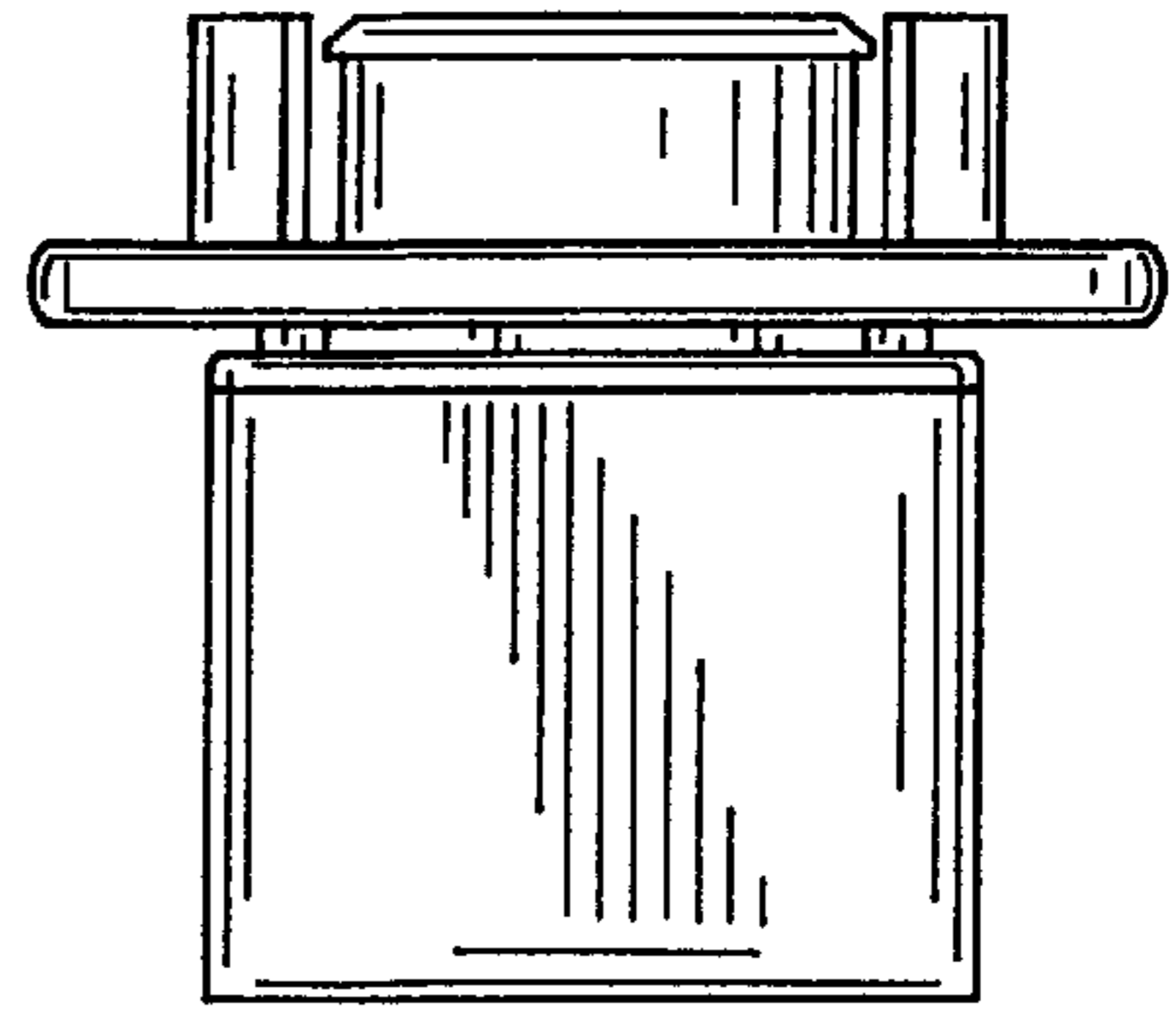


FIG. 9

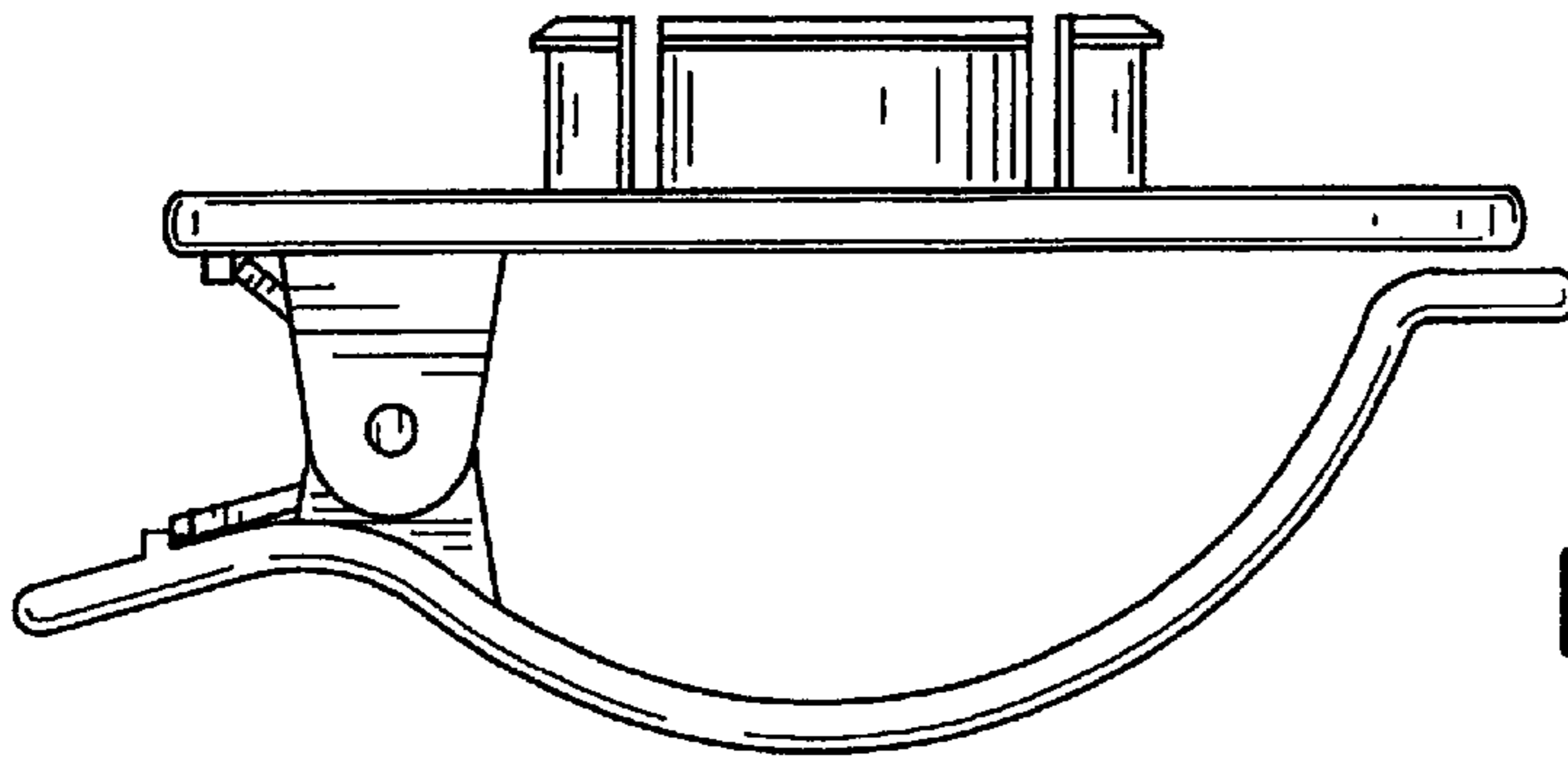
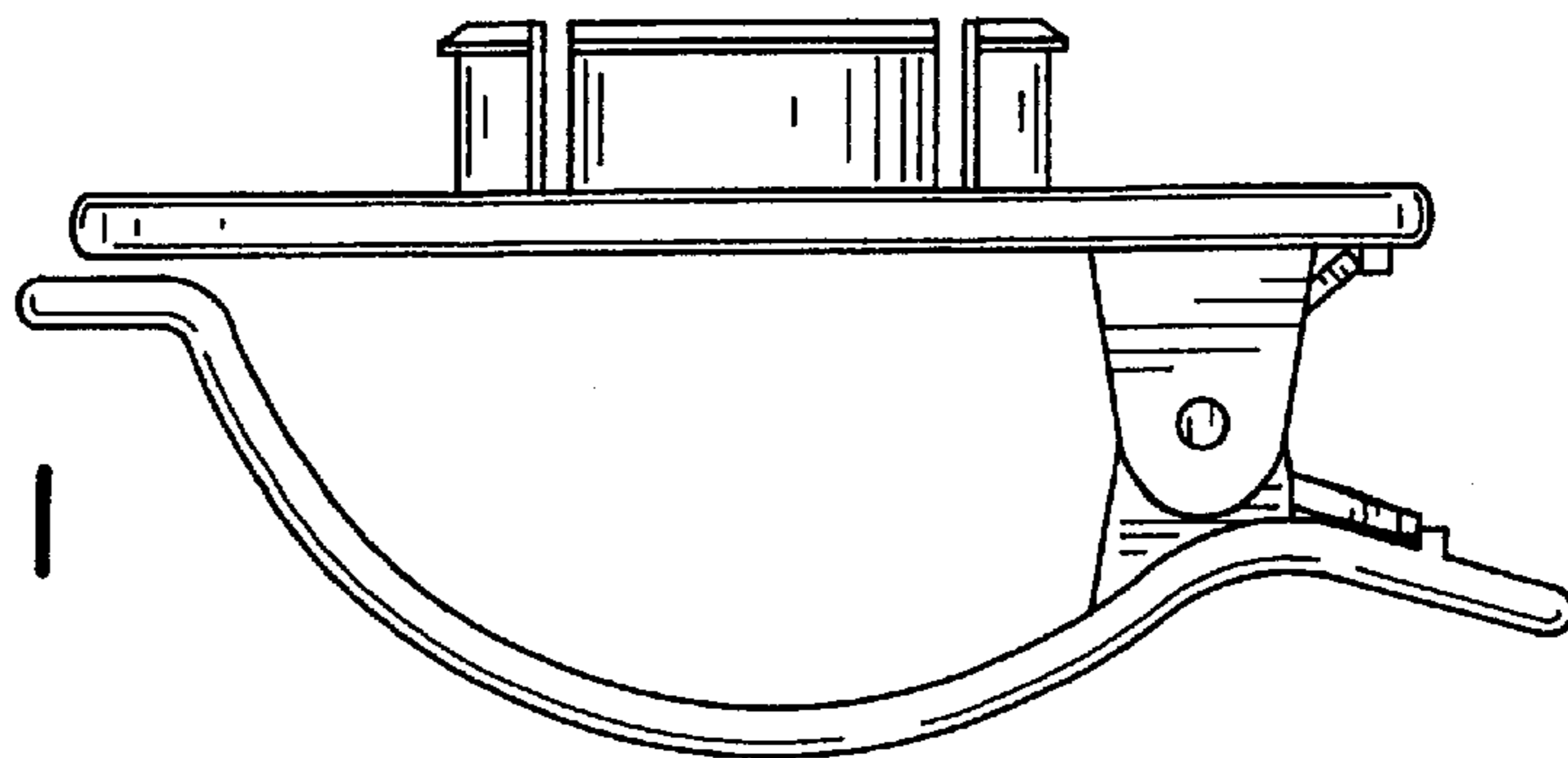


FIG. 10

FIG. 11



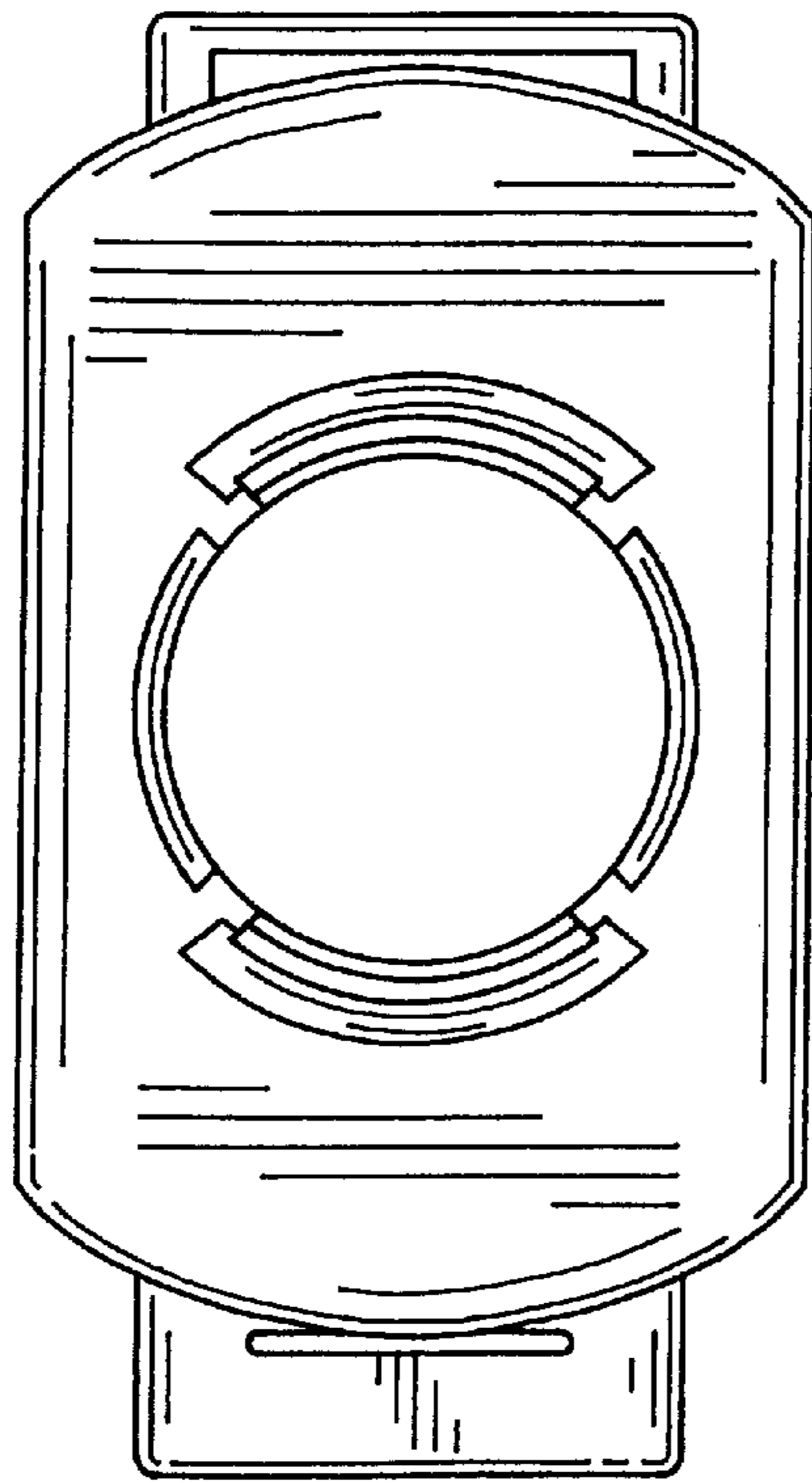


FIG. 12

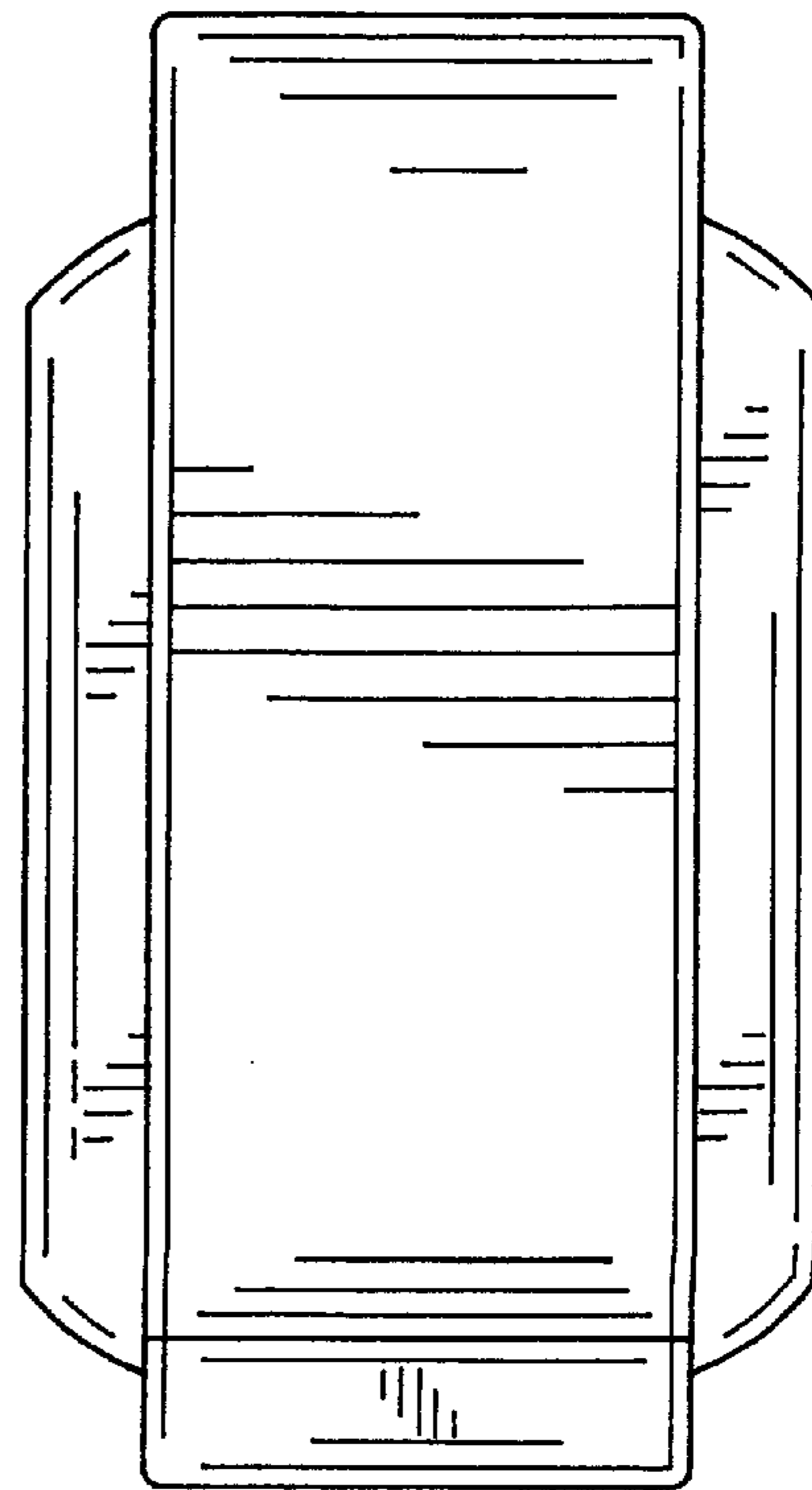


FIG. 13