



US00D435898S

(12) **United States Design Patent**
Yang

(10) **Patent No.:** **US D435,898 S**

(45) **Date of Patent:** **** Jan. 2, 2001**

(54) **AUTOMATIC SPRAY AIR FRESHENER**

Primary Examiner—Lisa Lichtenstein

(74) *Attorney, Agent, or Firm*—Bacon & Thomas, PLLC

(76) **Inventor:** **Paul Yang**, 49-1, Feng Hwa Tsuen,
Shin Shyh Hsiang, Tainan Hsien (TW)

(57) **CLAIM**

(**) **Term:** **14 Years**

The ornamental design for an automatic spray air freshener,
as shown.

(21) **Appl. No.:** **29/124,551**

(22) **Filed:** **Jun. 8, 2000**

DESCRIPTION

(51) **LOC (7) Cl.** **23-04**

FIG. 1 is a perspective view of an automatic spray air
freshener showing my new design;

(52) **U.S. Cl.** **D23/367**

FIG. 2 is a front side elevational view thereof;

(58) **Field of Search** D23/366–369;
239/34, 55, 60, 211; 261/DIG. 65; 422/120

FIG. 3 is a rear side elevational view thereof;

(56) **References Cited**

FIG. 4 is a left view thereof;

U.S. PATENT DOCUMENTS

FIG. 5 is a right view thereof;

D. 367,440 * 2/1996 Mays D12/90

FIG. 6 is a top plan view thereof; and,

D. 385,220 * 10/1997 Warkuss et al. D12/90

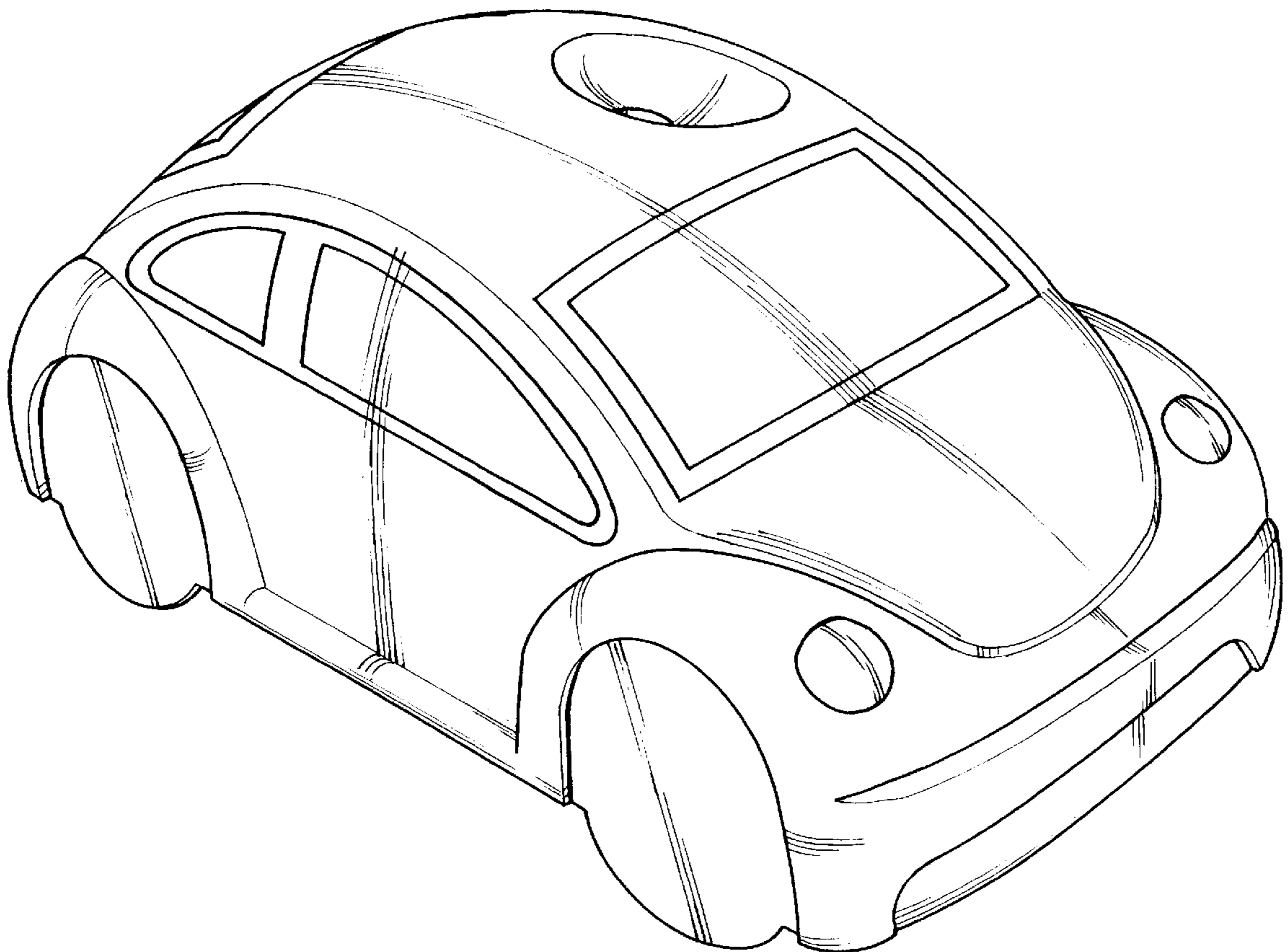
FIG. 7 is a bottom plan view thereof.

D. 406,330 * 3/1999 Chen D23/366

D. 421,492 * 3/2000 Wu D23/367

* cited by examiner

1 Claim, 7 Drawing Sheets



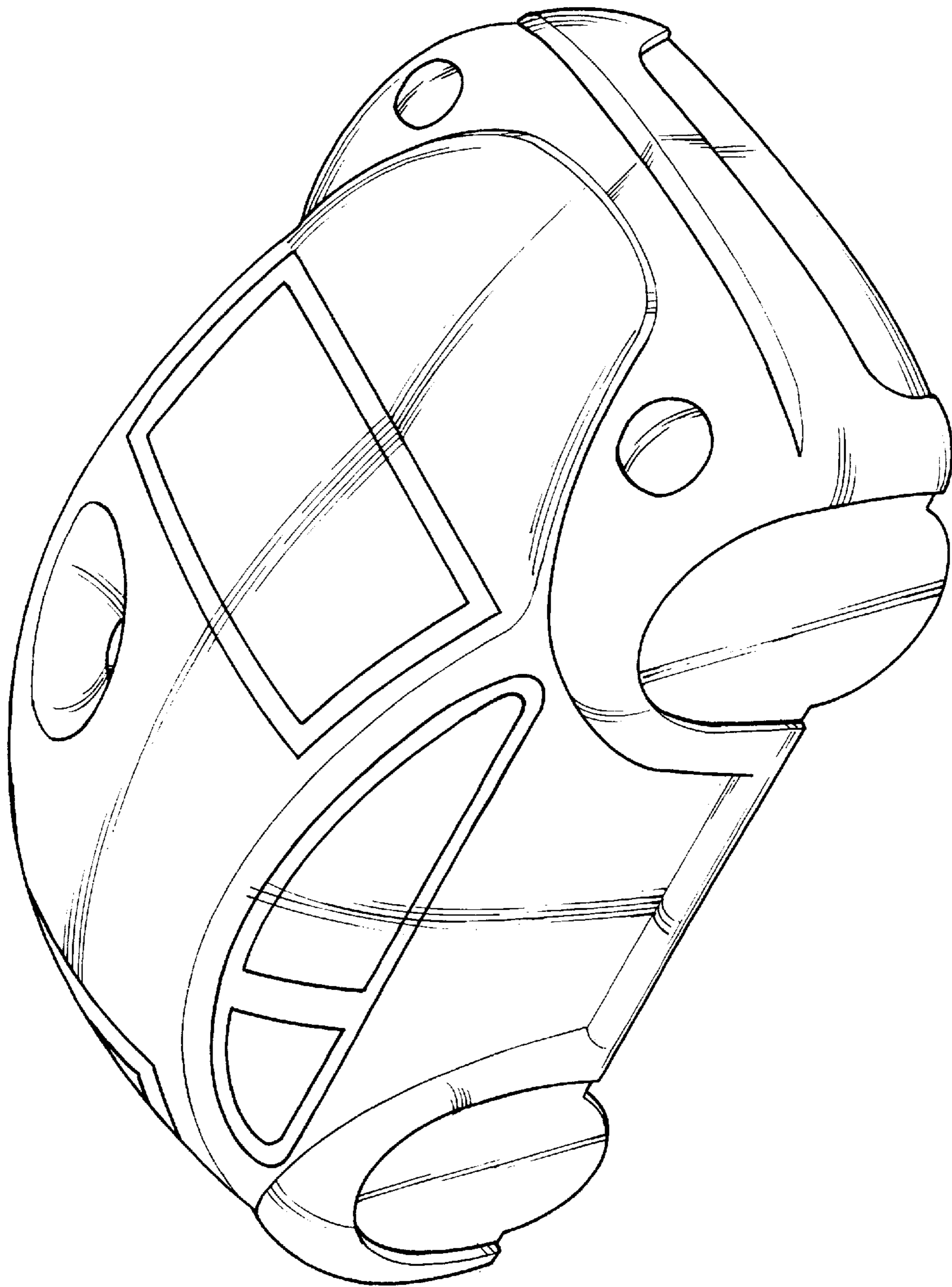


FIG 1

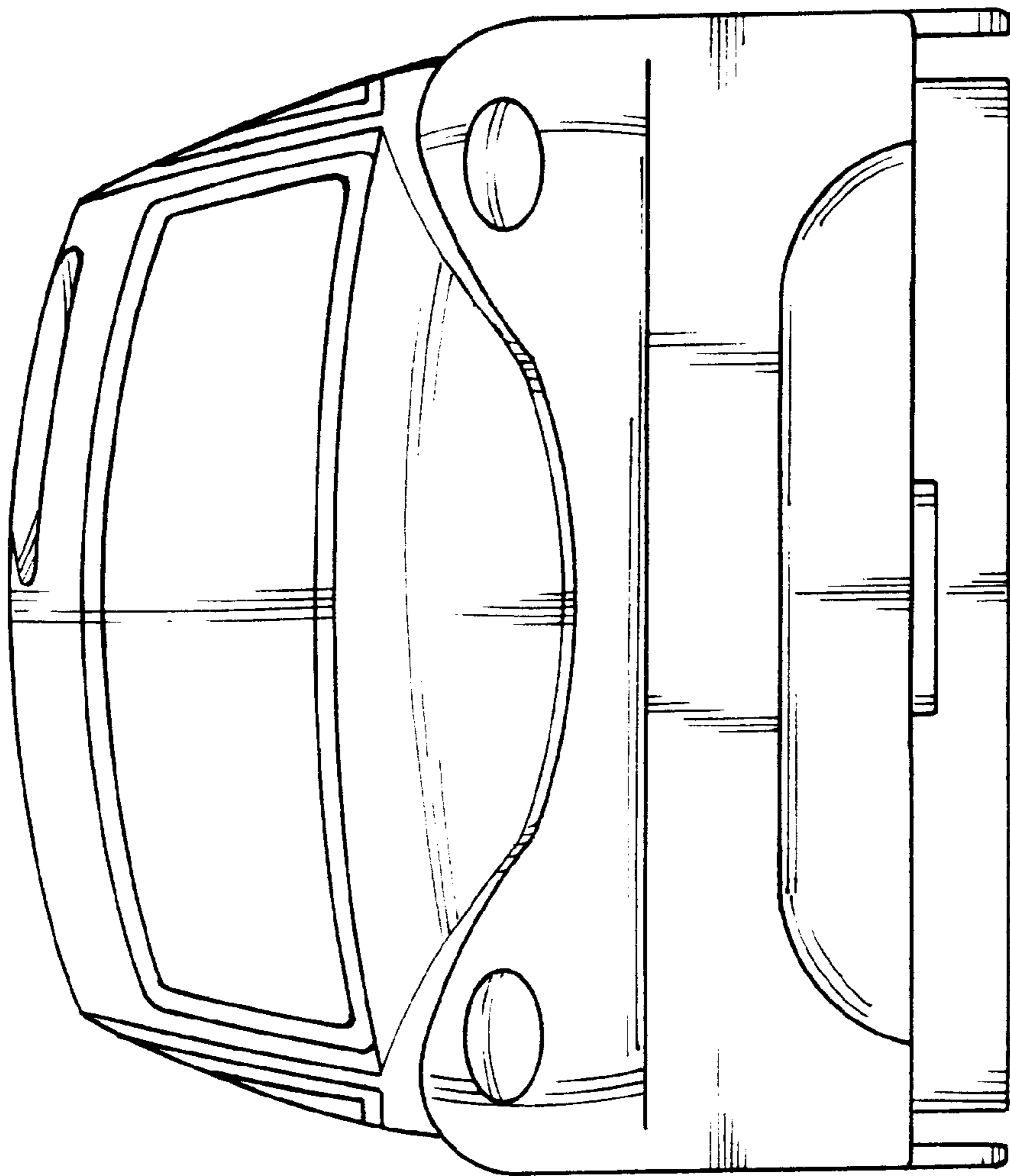


FIG 2

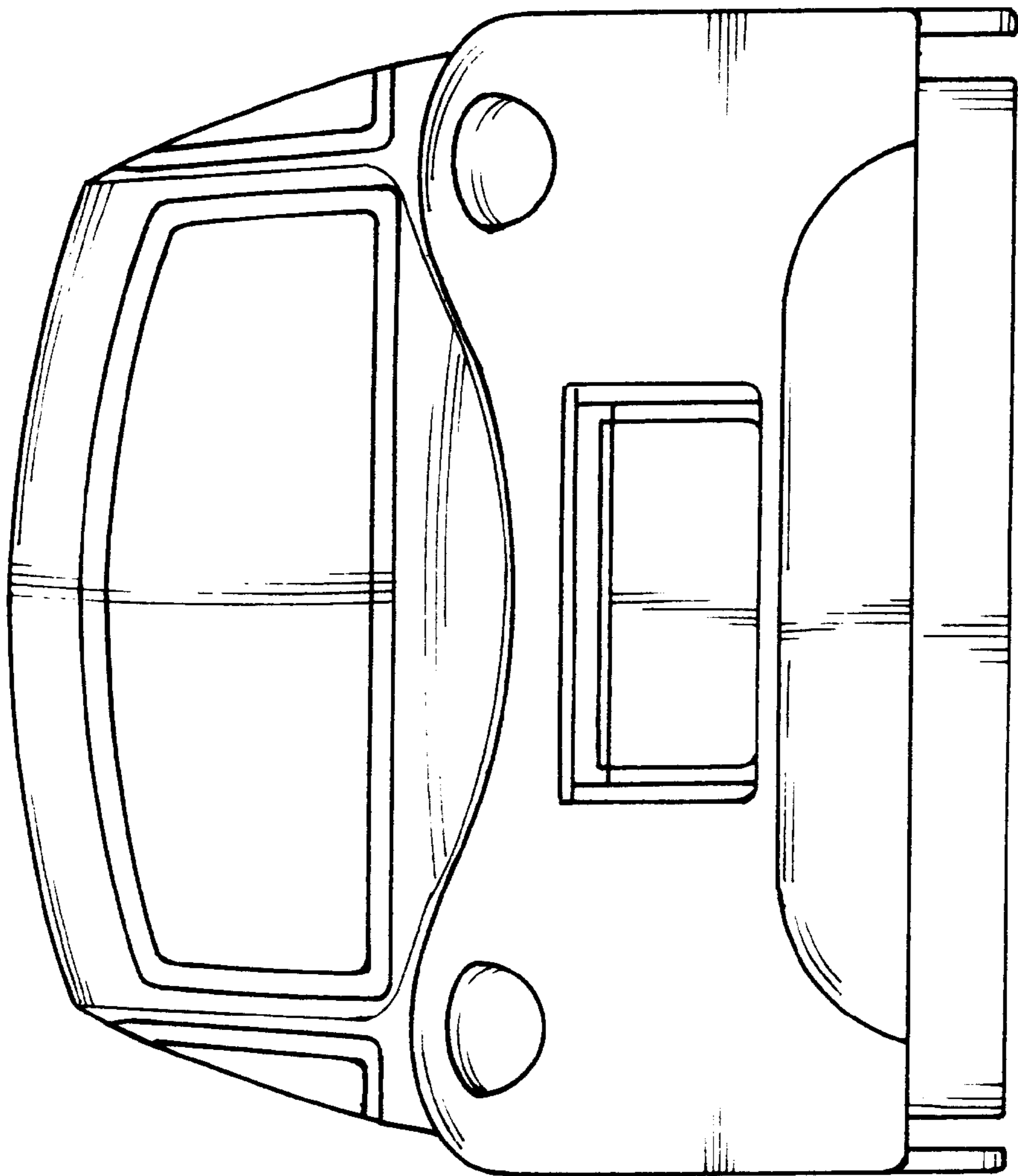


FIG 3

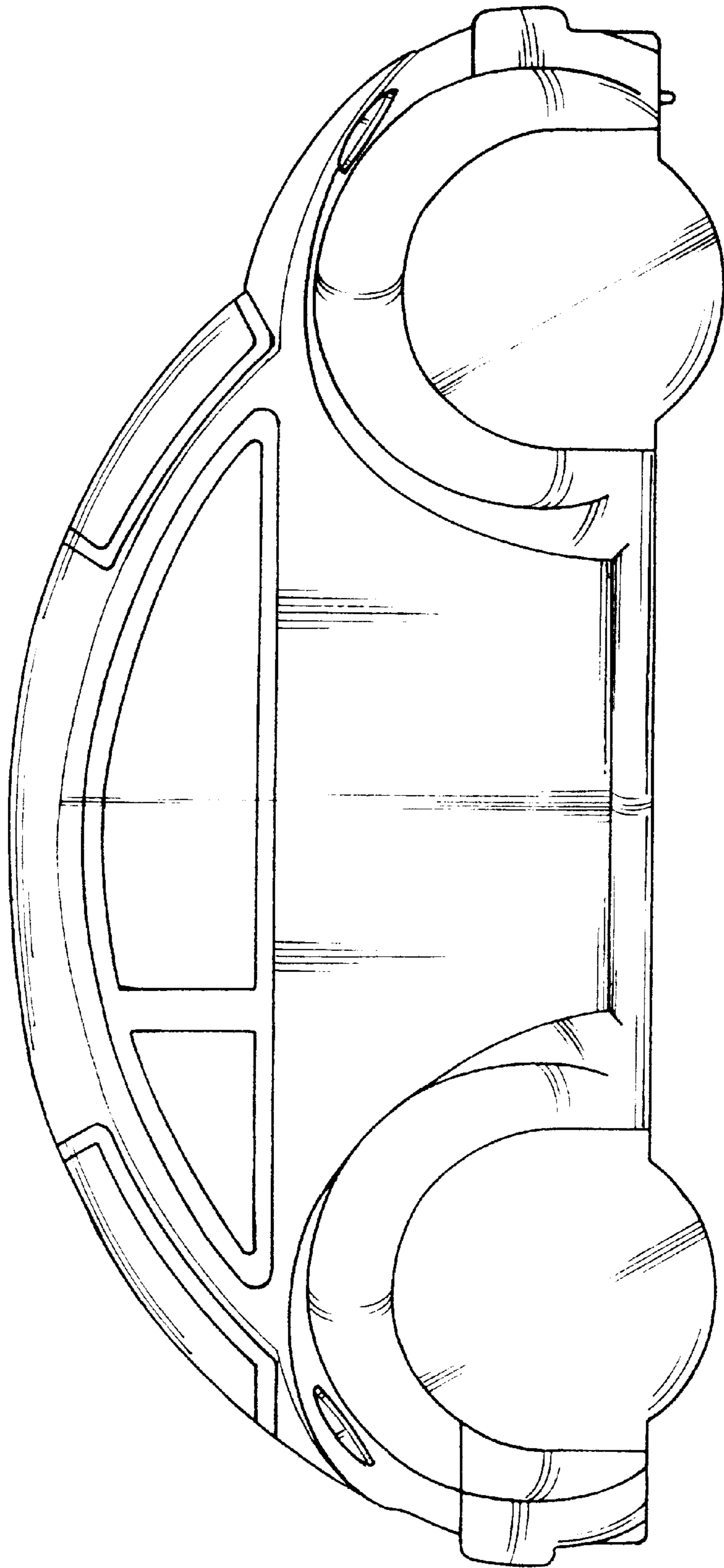


FIG 4

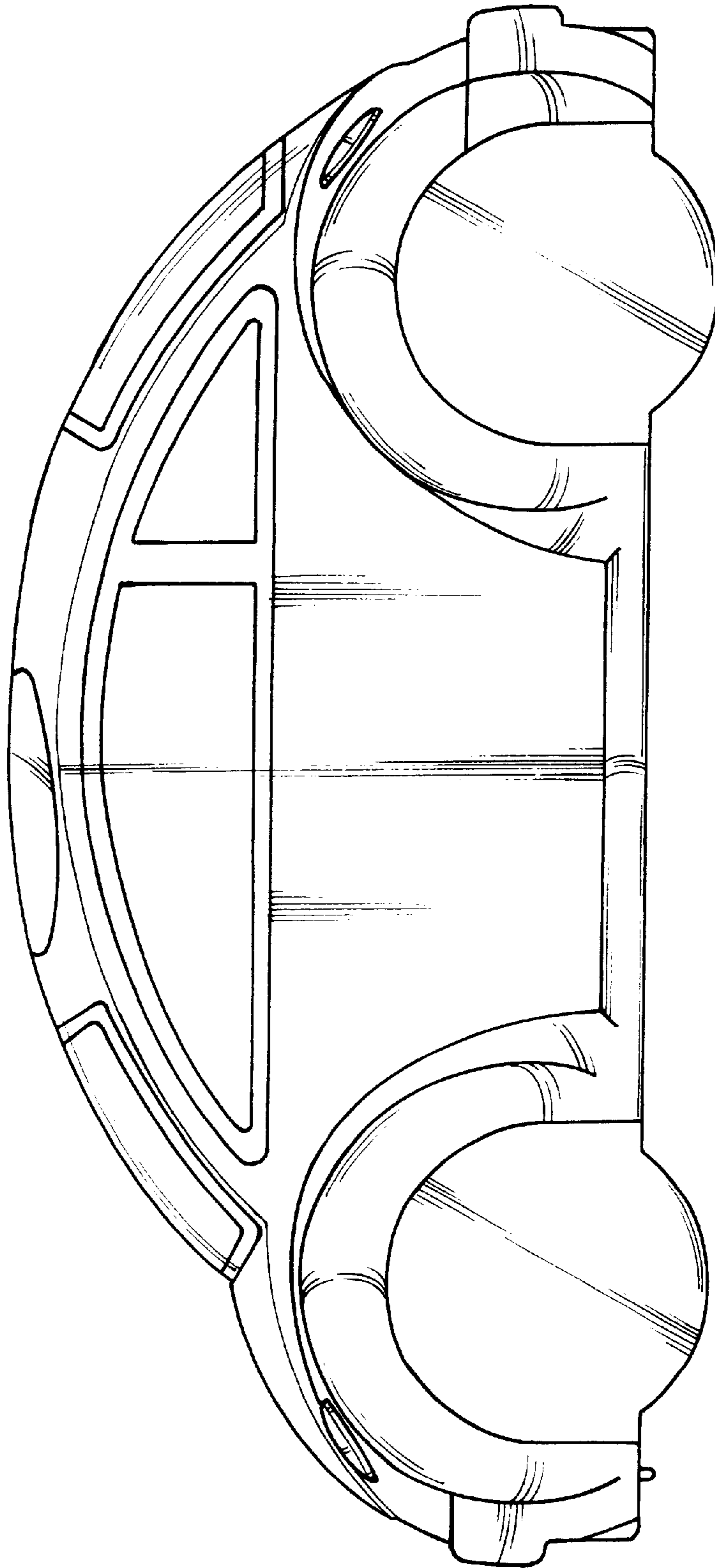


FIG 5

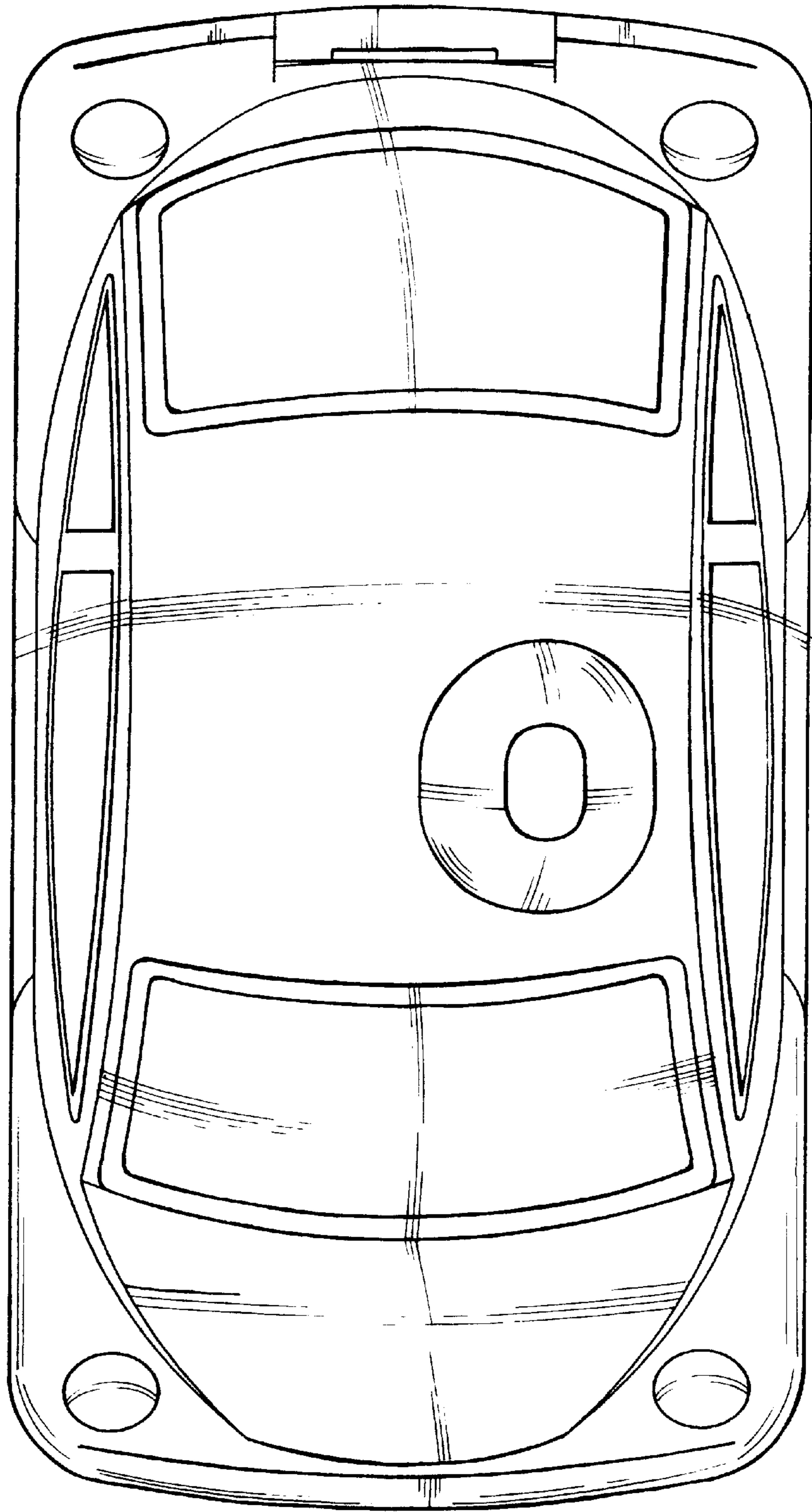


FIG 6

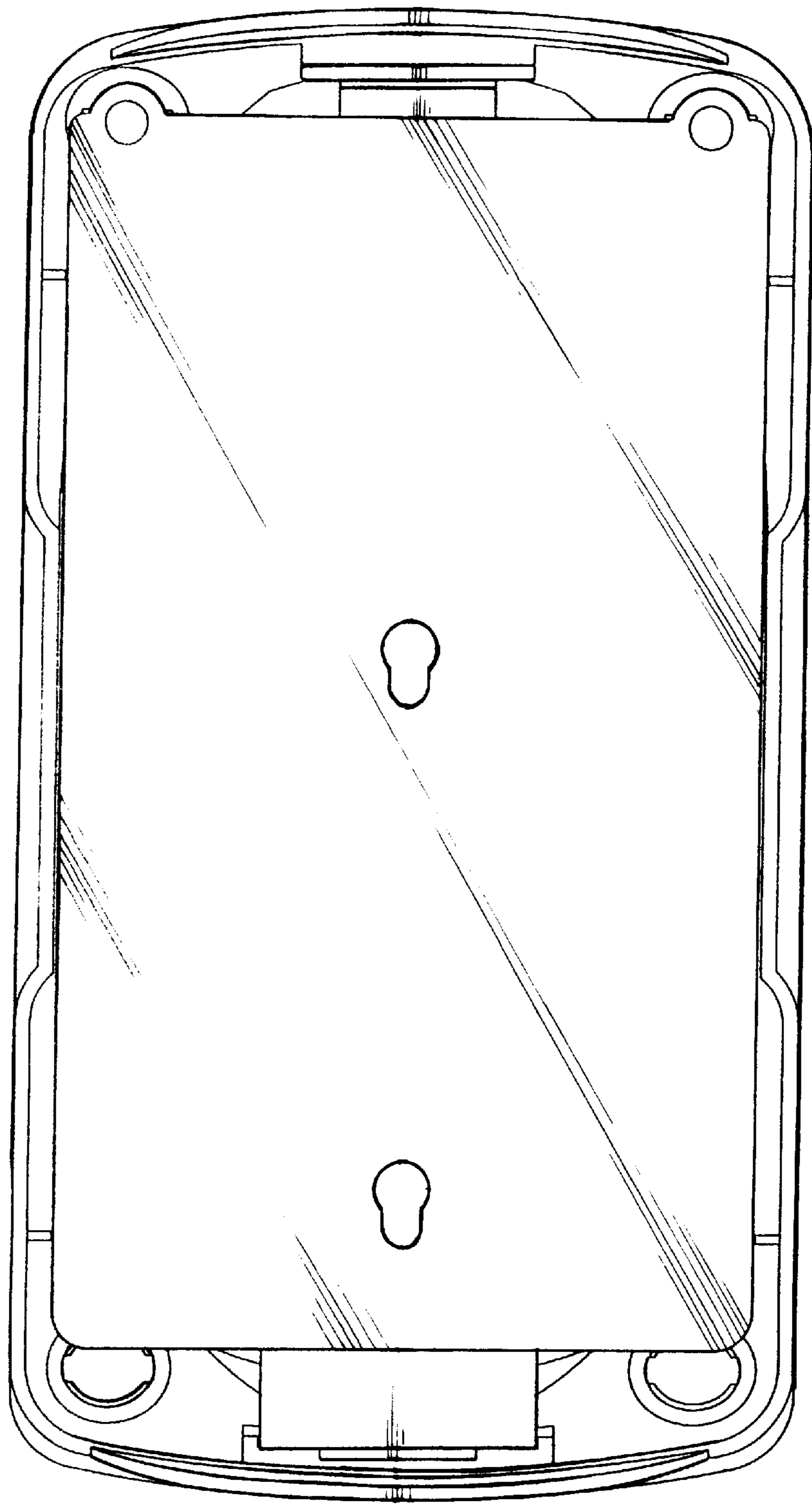


FIG 7