



US00D435897S

(12) **United States Design Patent**
Wu

(10) **Patent No.:** **US D435,897 S**

(45) **Date of Patent:** **** Jan. 2, 2001**

(54) **ROOM DEODORANT DISPENSER**

(75) Inventor: **Henry Wu**, West Hartford, CT (US)

(73) Assignee: **Aromate Industries Co.** (TW)

(**) Term: **14 Years**

(21) Appl. No.: **29/121,240**

(22) Filed: **Apr. 3, 2000**

(51) **LOC (7) Cl.** **23-04**

(52) **U.S. Cl.** **D23/367**

(58) **Field of Search** D12/300, 305;
D23/366-369; 239/34, 55, 60, 211, 53;
422/123; 261/DIG. 65

(56) **References Cited**

U.S. PATENT DOCUMENTS

D. 398,976 * 9/1998 Green D23/367

* cited by examiner

Primary Examiner—Lisa Lichtenstein

(74) *Attorney, Agent, or Firm*—Ira S. Dorman

(57) **CLAIM**

The ornamental design for a room deodorant dispenser, as shown.

DESCRIPTION

FIG. 1 is a perspective view of a room deodorant dispenser embodying the present invention;

FIG. 2 is a front view of the dispenser;

FIG. 3 is a rear view of the dispenser;

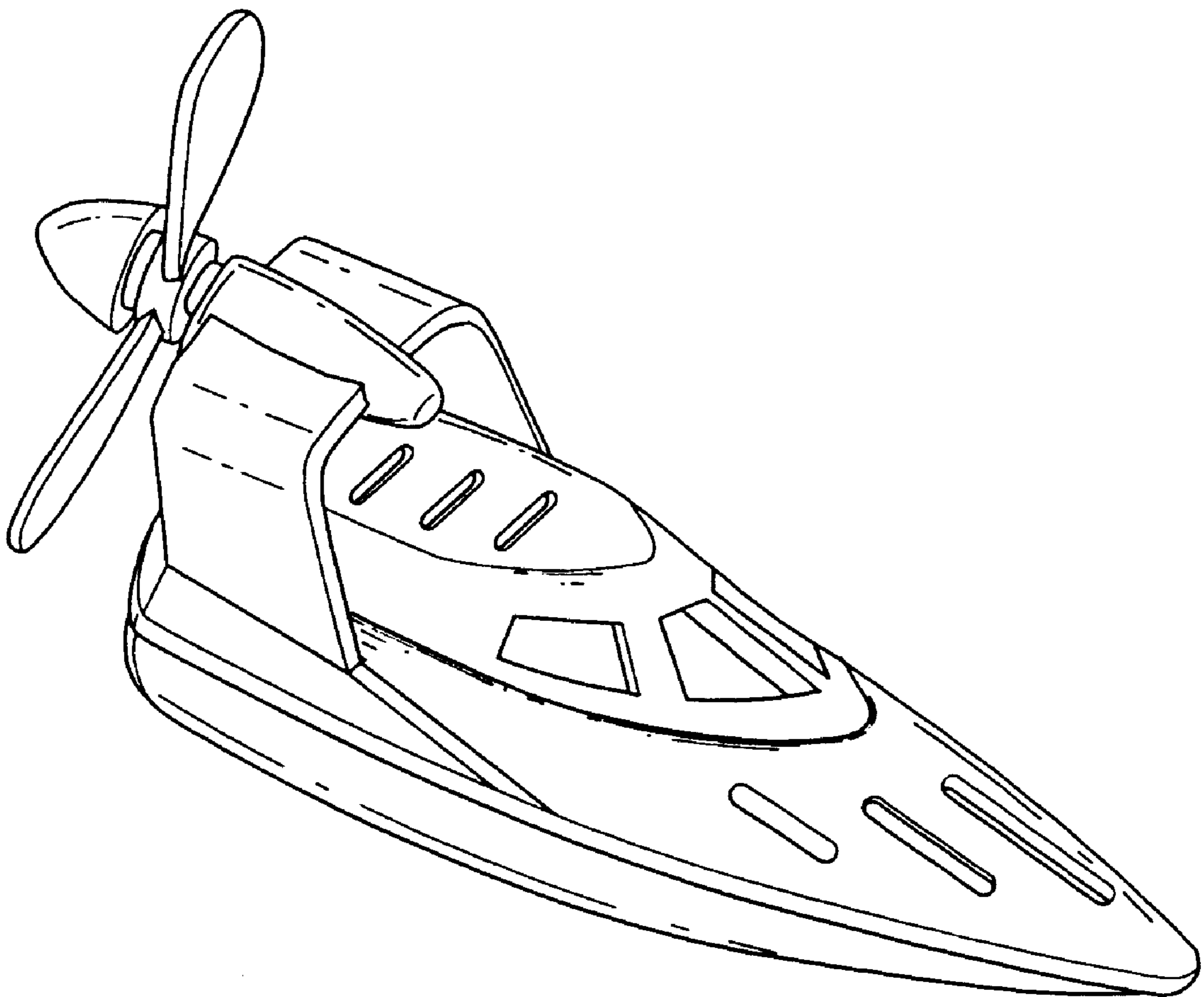
FIG. 4 is a right side view of the dispenser;

FIG. 5 is a left side view of the dispenser;

FIG. 6 is a top view of the dispenser; and,

FIG. 7 is a bottom view of the dispenser.

1 Claim, 4 Drawing Sheets



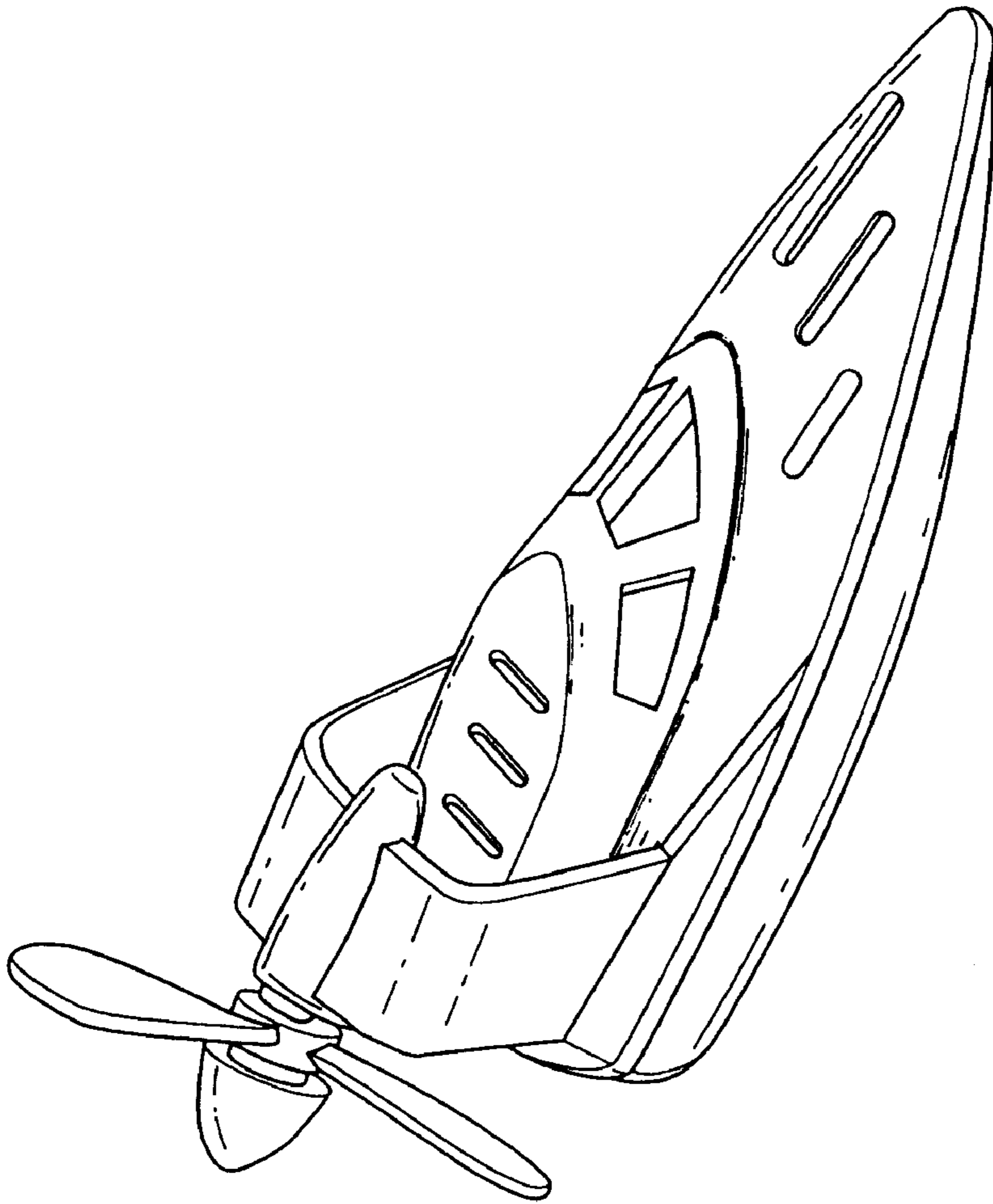


FIG.1

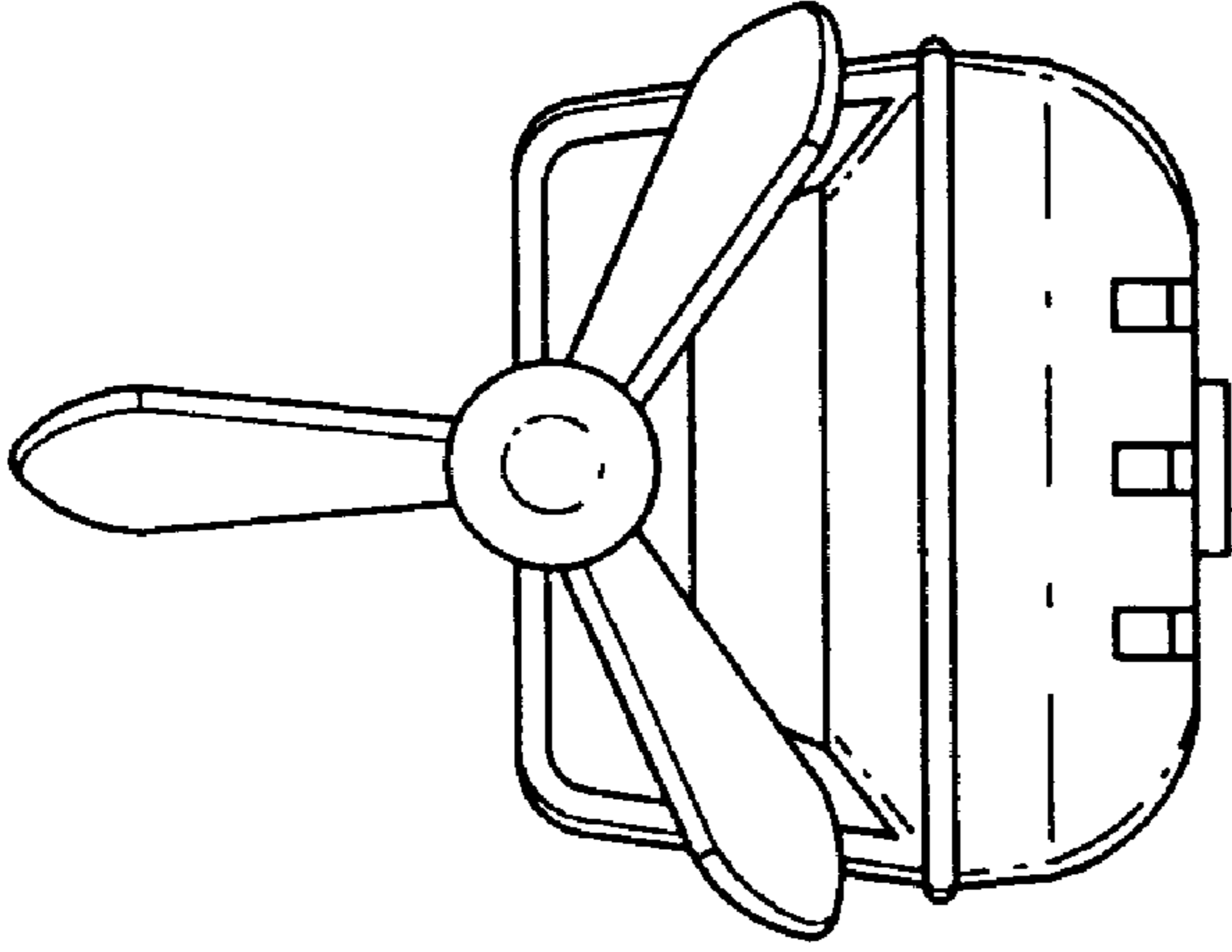


FIG.3

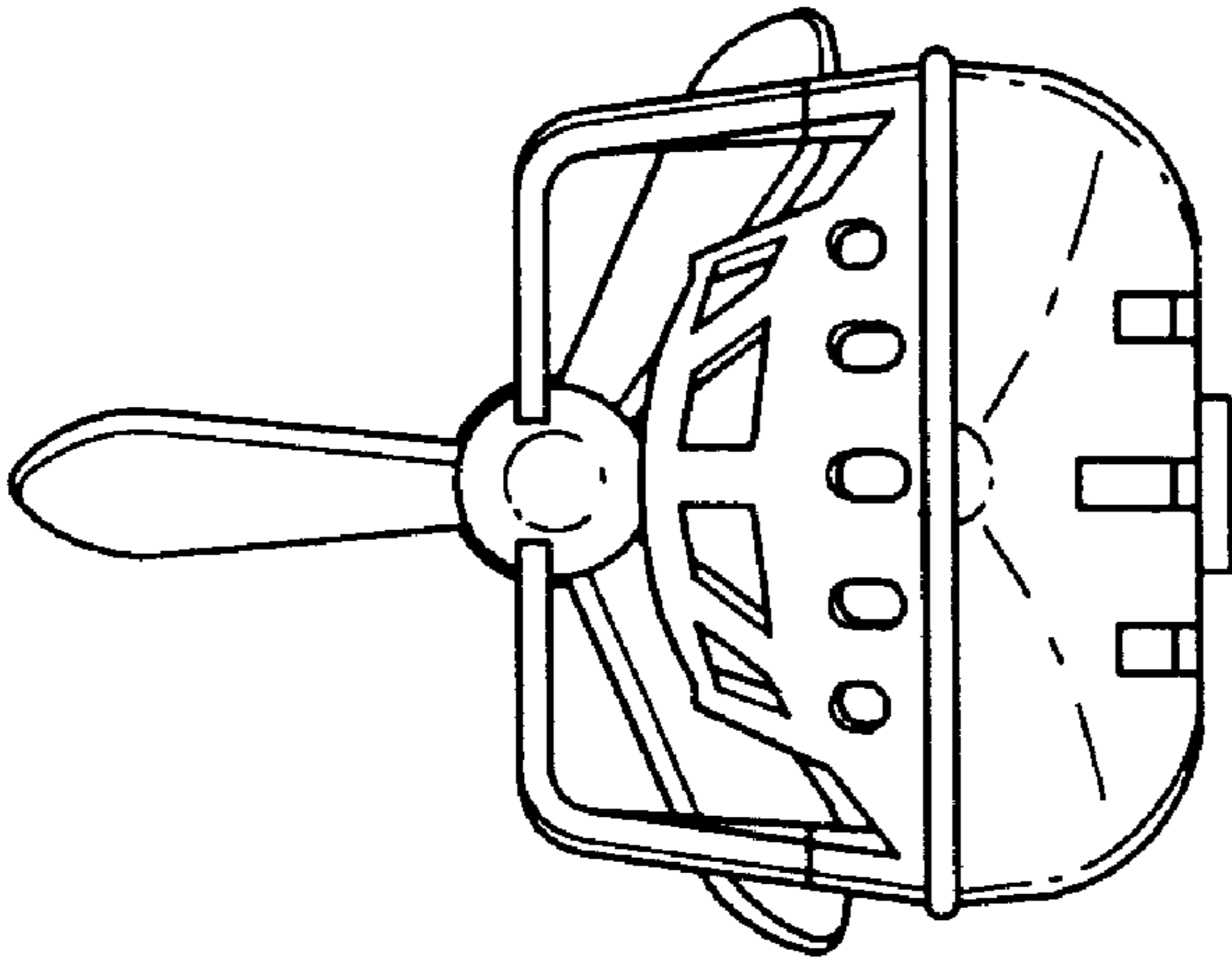


FIG.2

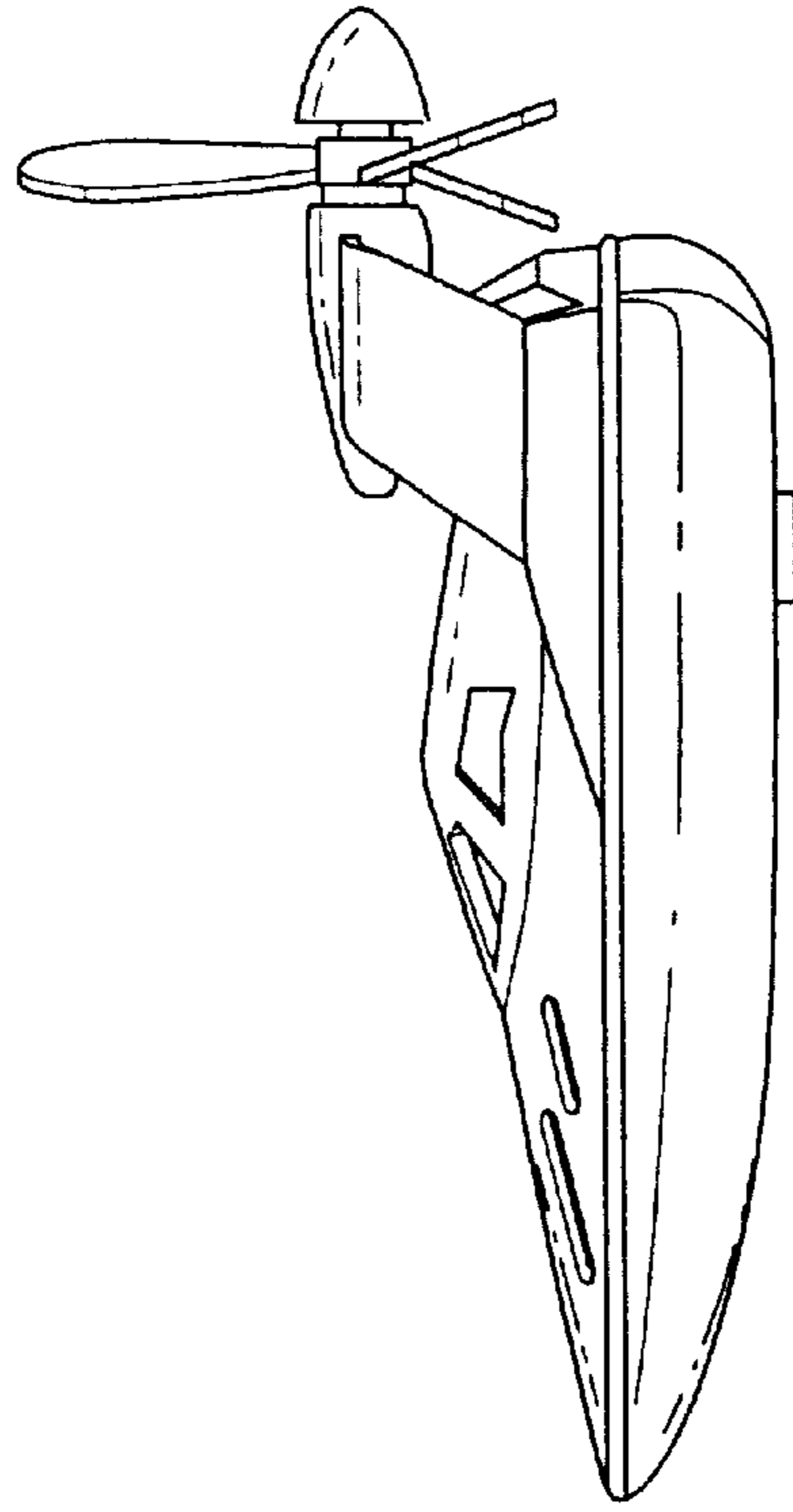


FIG.5

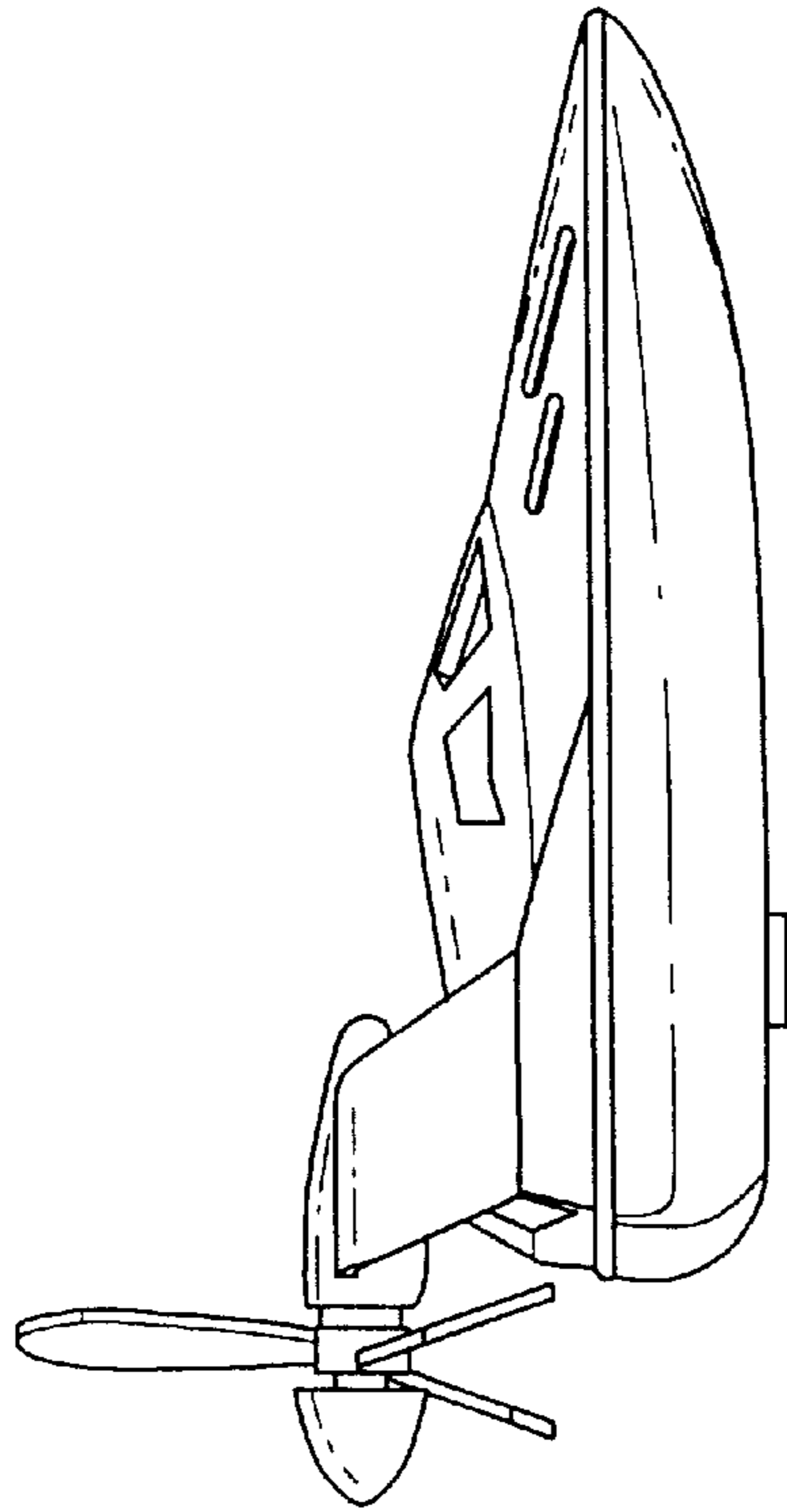


FIG.4

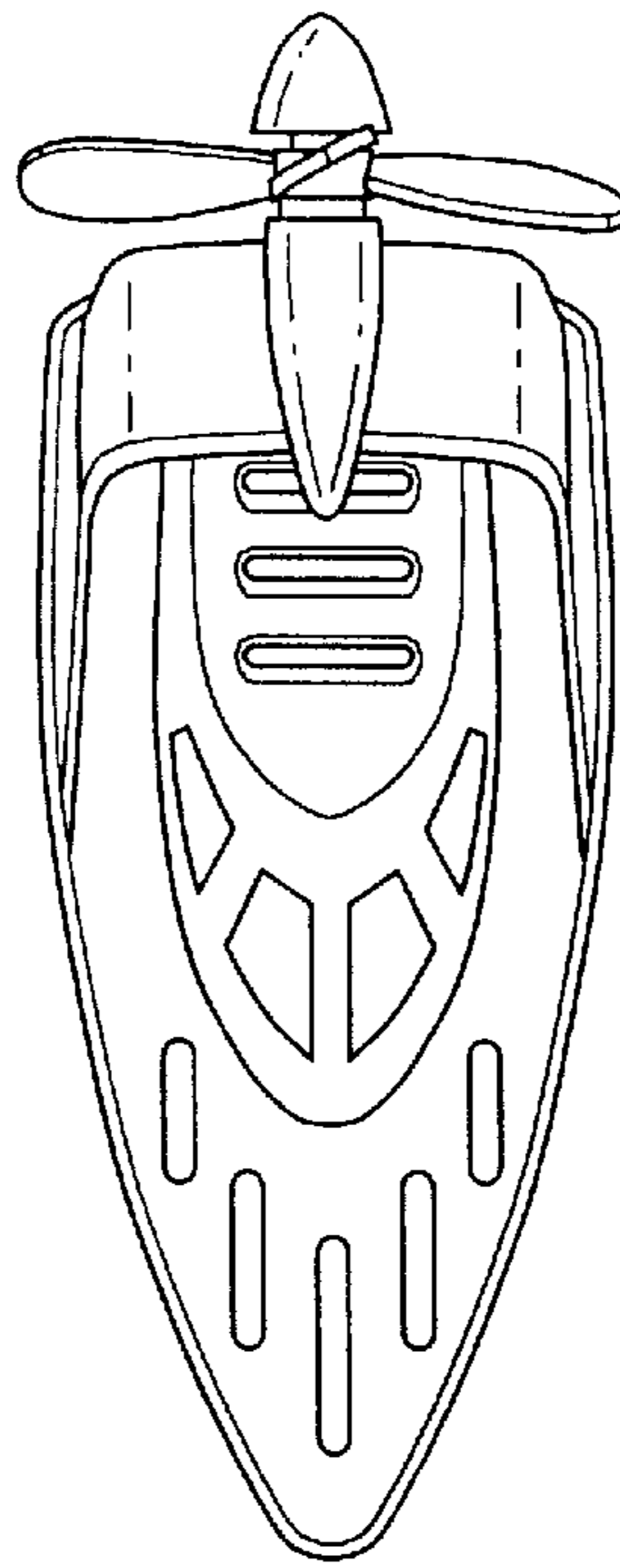


FIG.6

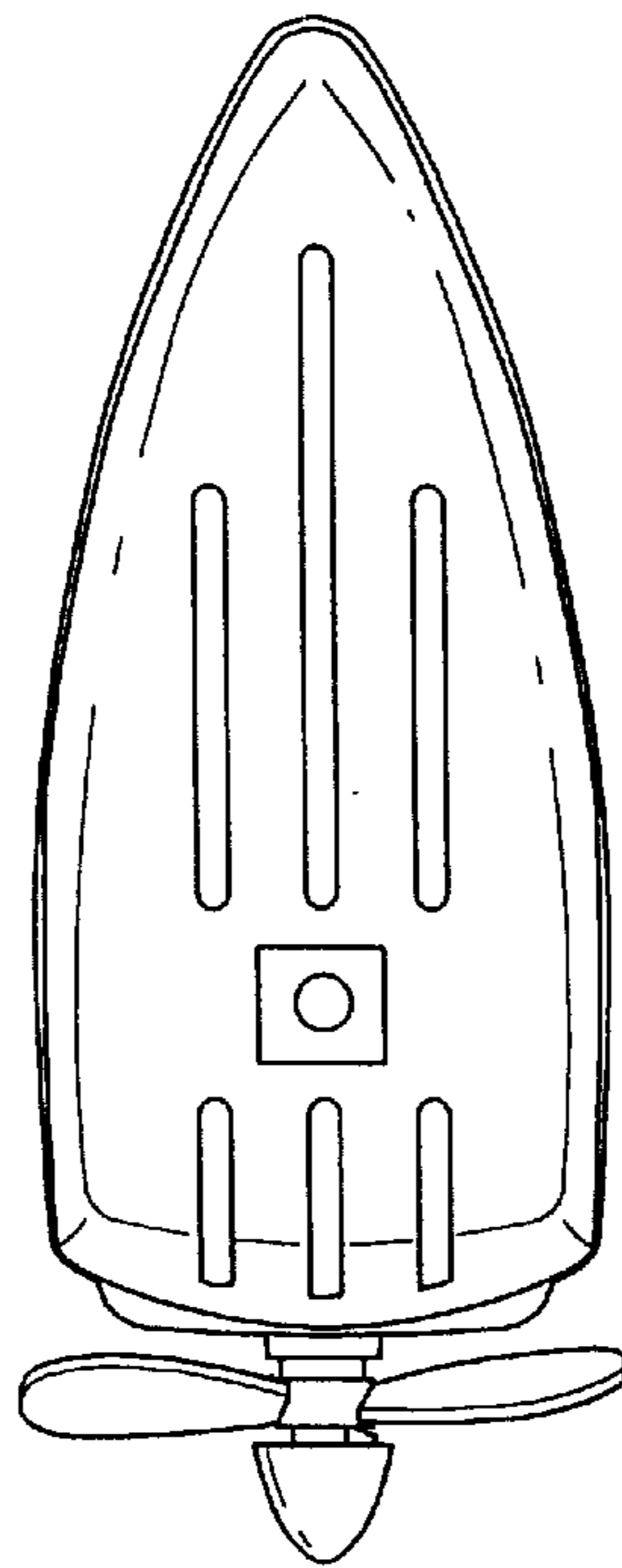


FIG.7