



US00D435894S

(12) **United States Design Patent**
Brotherston

(10) **Patent No.:** **US D435,894 S**

(45) **Date of Patent:** **** Jan. 2, 2001**

(54) **COMMODE CHAIR SEAT**

3,594,831 * 7/1971 Brewer 4/237
5,765,236 * 6/1998 Bethanis 4/237

(75) Inventor: **Ian Brotherston**, Listowel (CA)

* cited by examiner

(73) Assignee: **Broda Enterprises Inc.**, Waterloo (CA)

Primary Examiner—Doris Clark

(**) Term: **14 Years**

(57) **CLAIM**

(21) Appl. No.: **29/117,006**

The ornamental design for a commode chair seat, as shown and described.

(22) Filed: **Jan. 18, 2000**

DESCRIPTION

(51) **LOC (7) Cl.** **23-02**

(52) **U.S. Cl.** **D23/311**

(58) **Field of Search** D23/309, 311;
4/237, 241

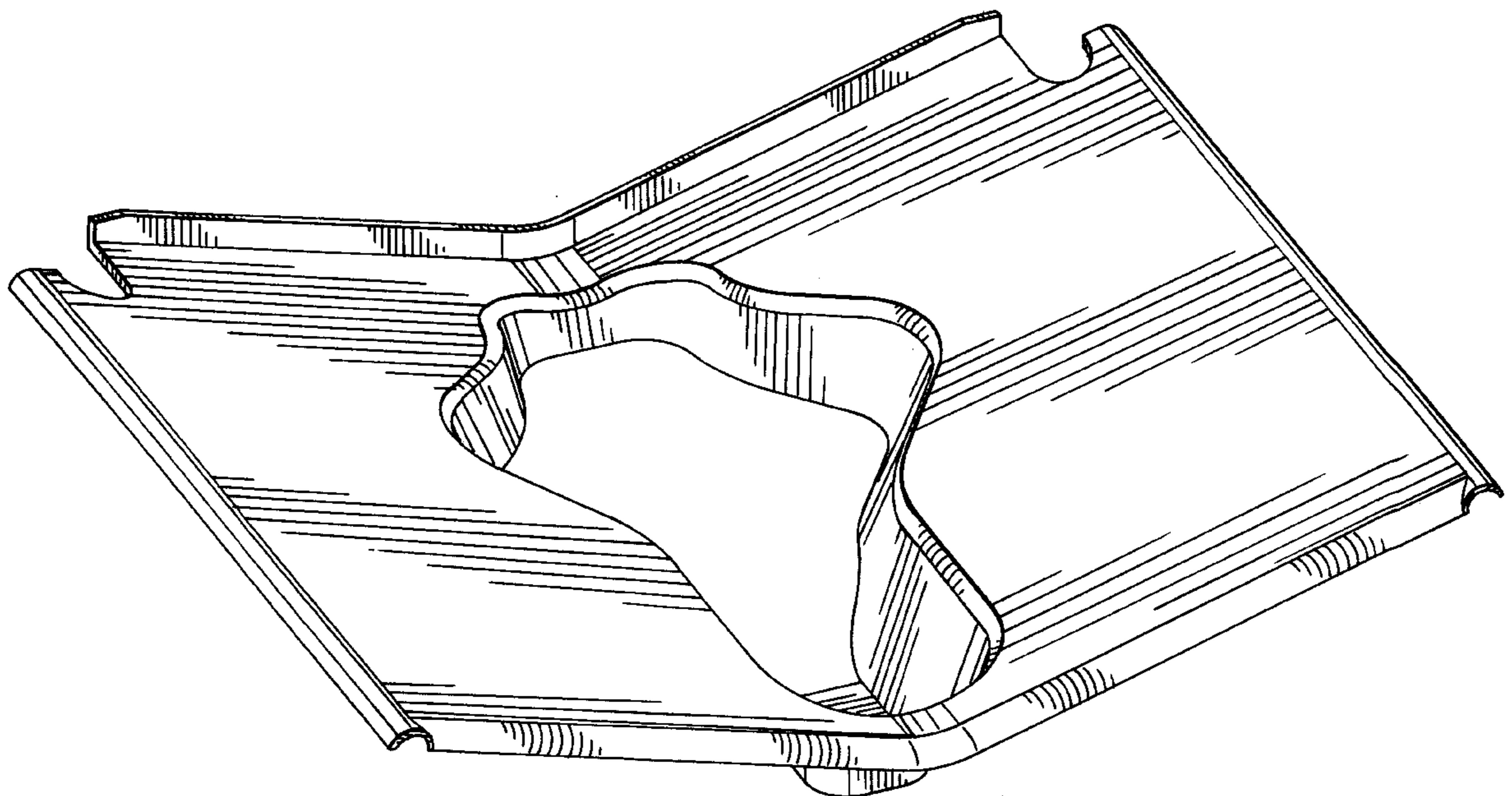
FIG. 1 is a perspective view of the commode chair seat.
FIG. 2 is a top plan view of the commode chair seat.
FIG. 3 is a bottom plan view of the commode chair seat.
FIG. 4 is a front elevation view of the commode chair seat.
FIG. 5 is a back elevation view of the commode chair seat;
and,
FIG. 6 is a side elevation view of the commode chair seat.

(56) **References Cited**

U.S. PATENT DOCUMENTS

D. 387,421 * 12/1997 Kivela D23/311

1 Claim, 5 Drawing Sheets



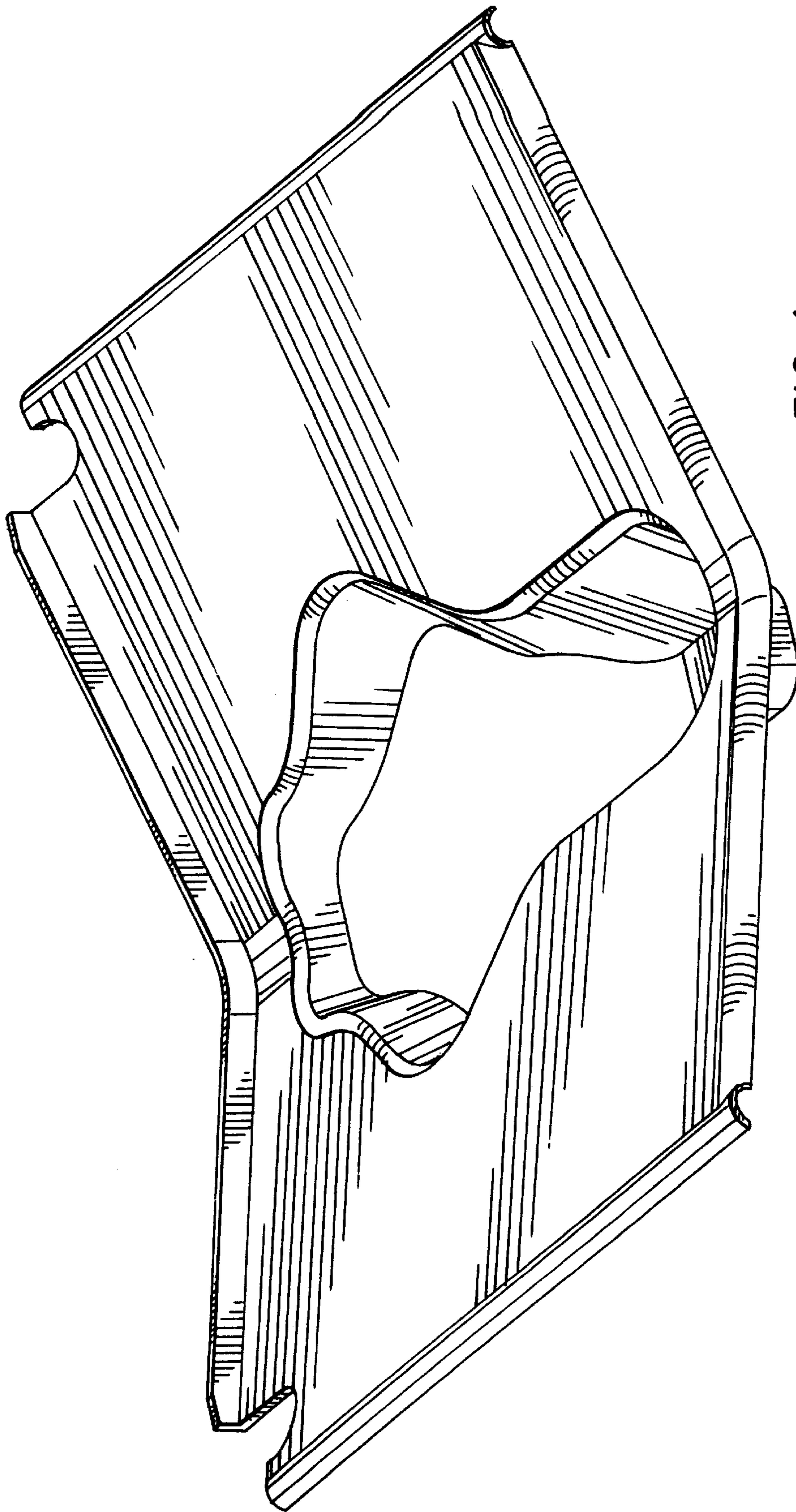


FIG. 1

FIG. 2

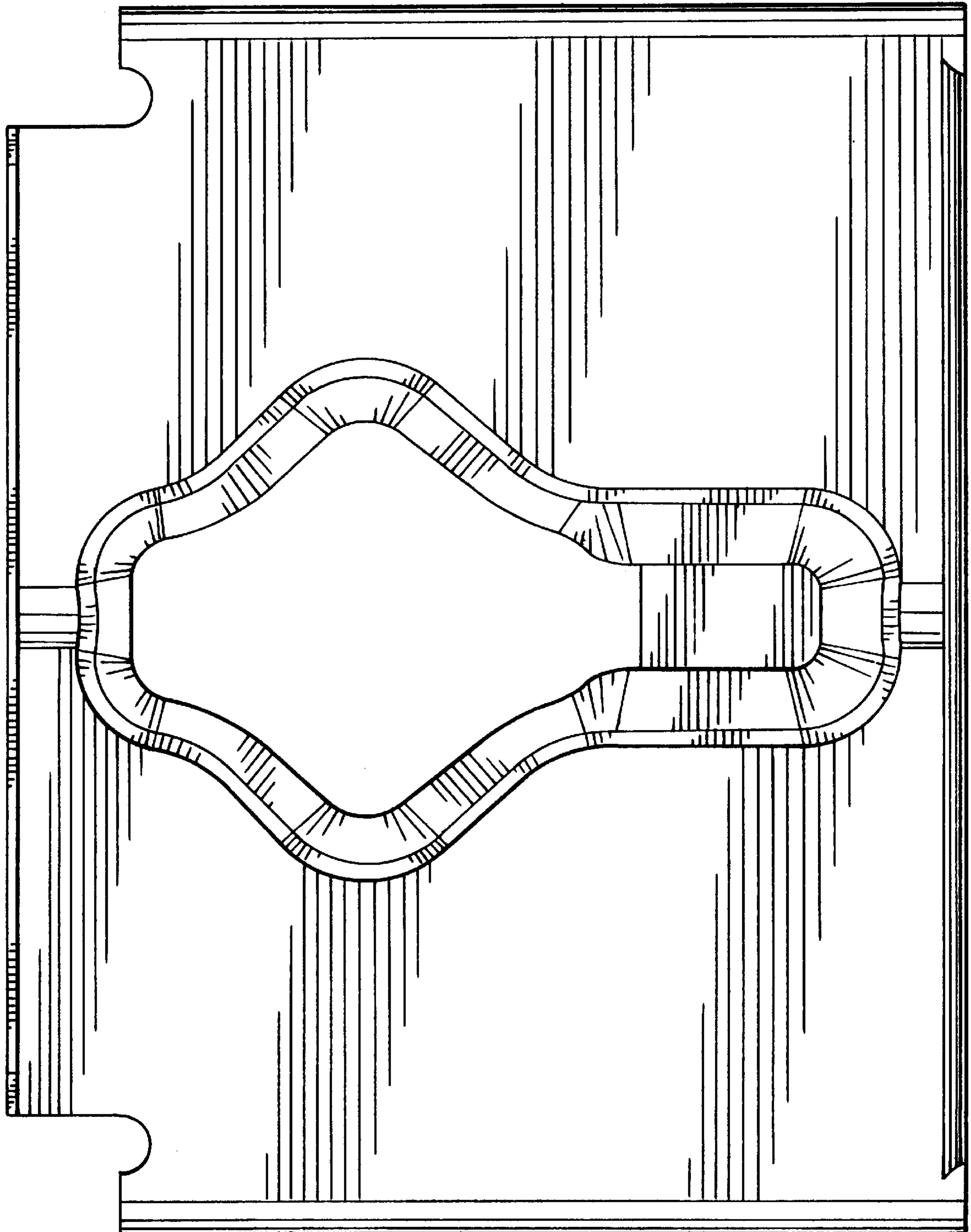
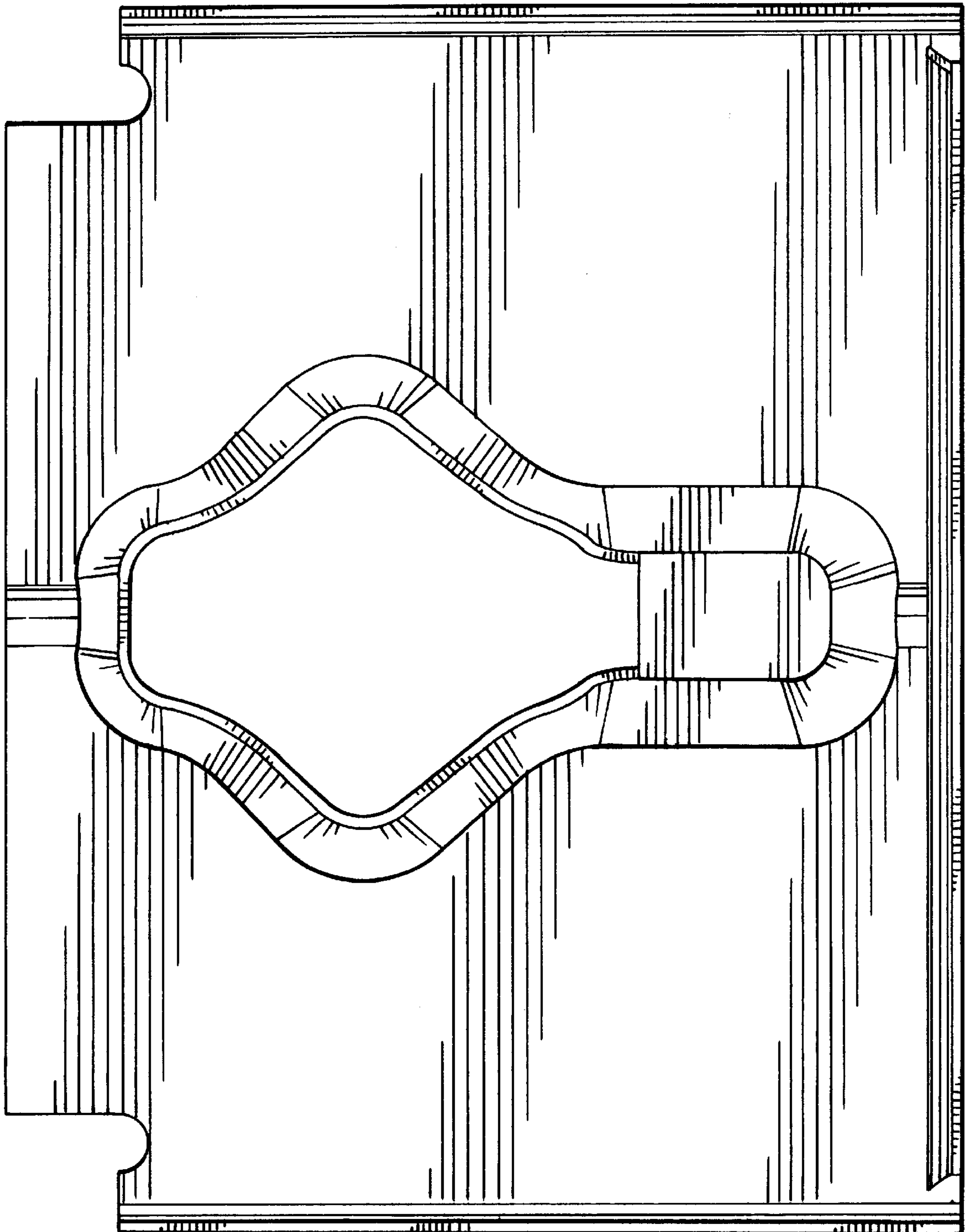


FIG. 3



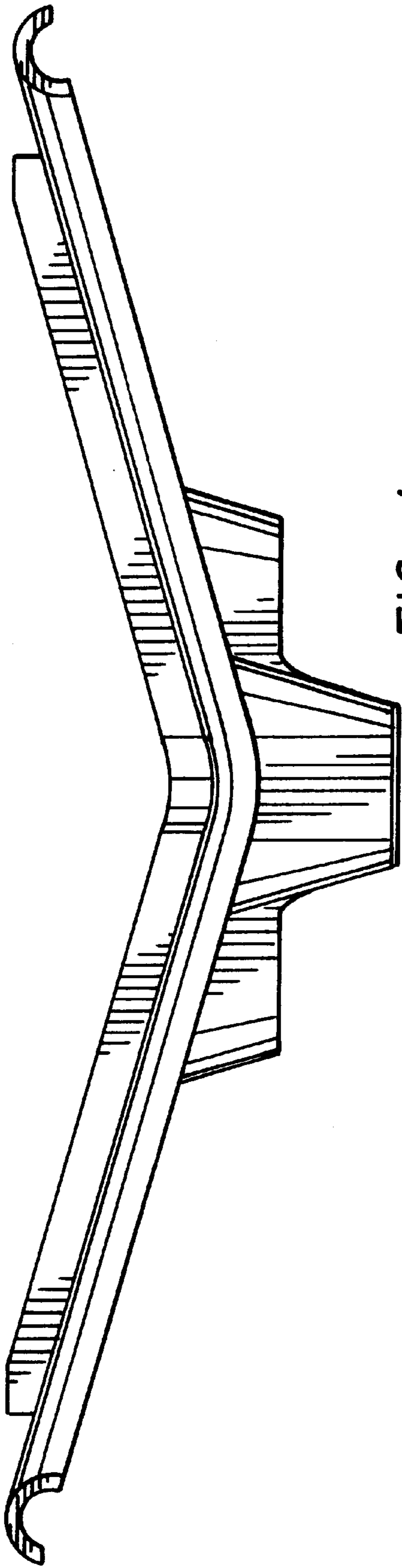


FIG. 4

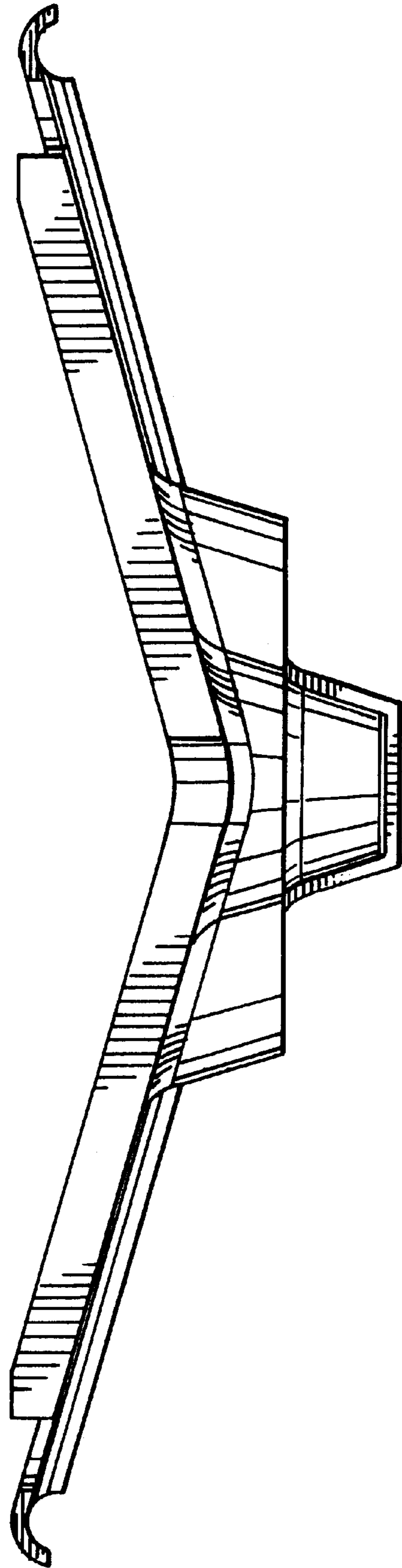


FIG. 5

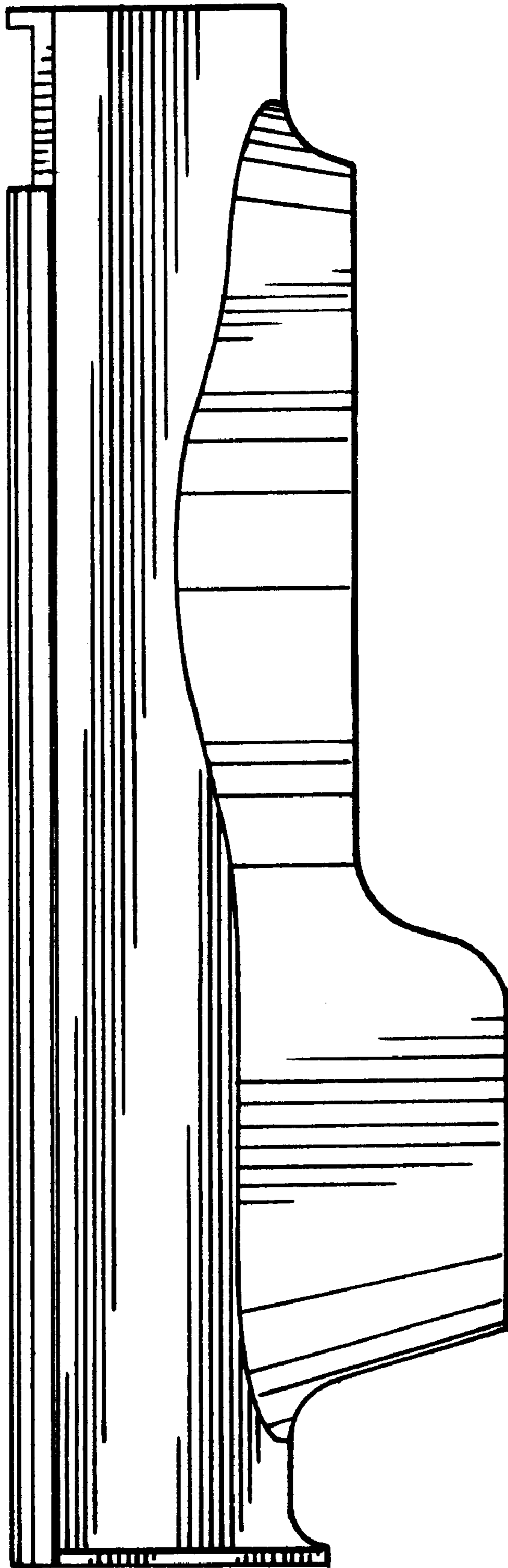


FIG. 6