



US00D435893S

(12) **United States Design Patent**
Helmsderfer

(10) **Patent No.:** **US D435,893 S**

(45) **Date of Patent:** **** Jan. 2, 2001**

(54) **UNDERSINK SHIELD**

(75) Inventor: **John A. Helmsderfer**, Cincinnati, OH
(US)

(73) Assignee: **Truebro, Inc.**, Ellington, CT (US)

(**) Term: **14 Years**

(21) Appl. No.: **29/104,350**

(22) Filed: **May 3, 1999**

(51) **LOC (7) Cl.** **23-02**

(52) **U.S. Cl.** **D23/308**

(58) **Field of Search** D23/295-299,
D23/302-311; 4/661, 654, 311

2,140,308	12/1938	Belshaw .
3,556,158	1/1971	Schneider .
4,046,406	9/1977	Press et al. .
4,594,740	6/1986	Tseronakis .
5,054,513	10/1991	Trueb et al. .
5,055,334	10/1991	Lechuga .
5,369,818	12/1994	Barnum et al. .

* cited by examiner

Primary Examiner—Eric Watterson

(74) *Attorney, Agent, or Firm*—Ira S. Dorman

(57) **CLAIM**

The ornamental design for an undersink shield, as shown and described.

DESCRIPTION

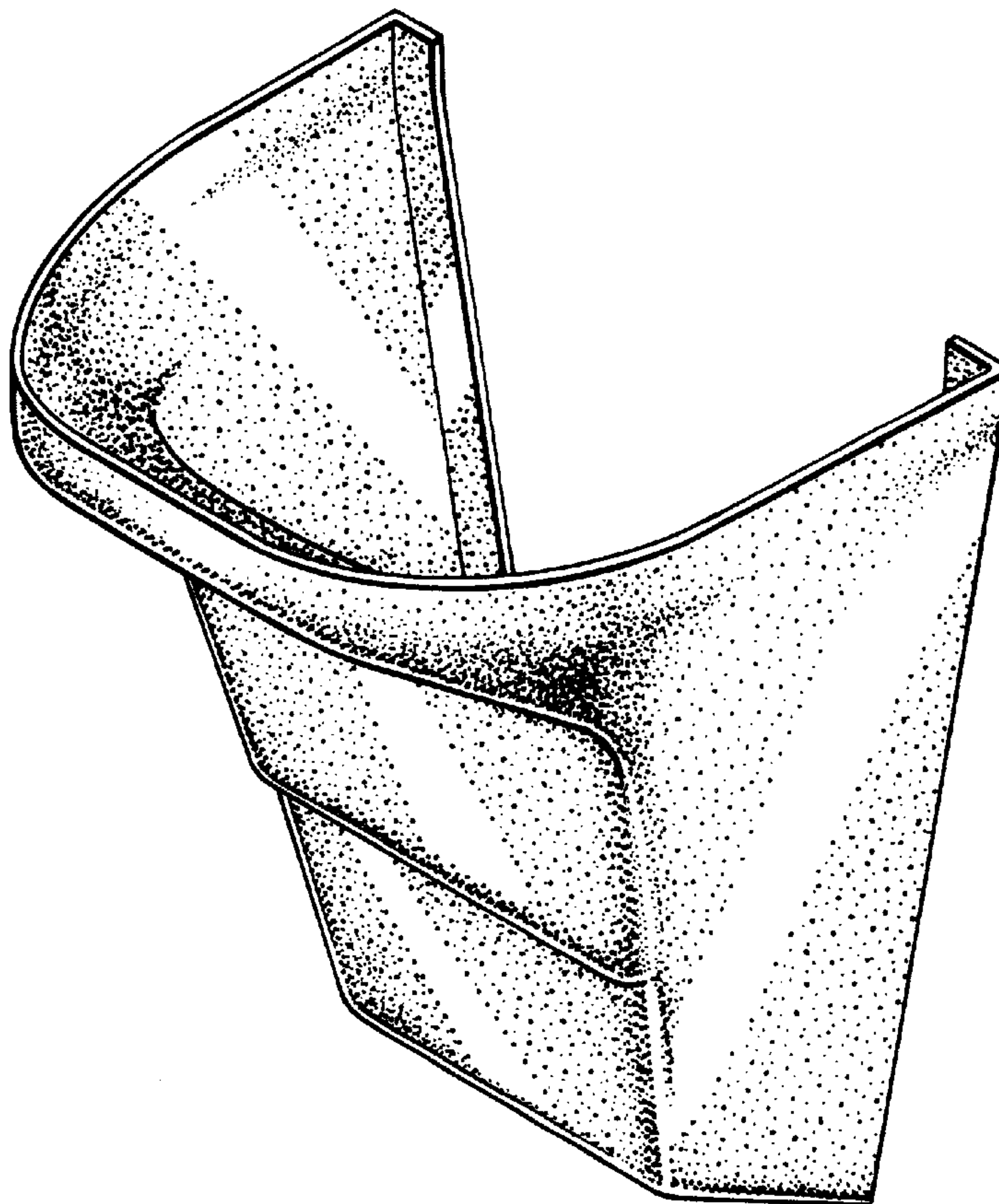
FIG. 1 is a top perspective view of an undersink shield, showing my new design;
FIG. 2 is a front view thereof;
FIG. 3 is a right side view thereof with the other side view being a mirror image thereof;
FIG. 4 is a rear view thereof;
FIG. 5 is a top view thereof; and,
FIG. 6 is a bottom view thereof.

(56) **References Cited**

U.S. PATENT DOCUMENTS

D. 332,654	*	1/1993	Reid et al.	D23/308
D. 358,634	*	5/1995	Dannenberg et al.	D23/308
D. 372,077	*	7/1996	Trueb et al.	D23/308
D. 373,412	*	9/1996	Trueb et al.	D23/308
D. 375,154	*	10/1996	Trueb et al.	D23/308
D. 384,732	*	10/1997	Trueb et al.	D23/308
D. 387,144	*	12/1997	Flaherty	D23/308
D. 393,700	*	4/1998	Trueb et al.	D23/308

1 Claim, 2 Drawing Sheets



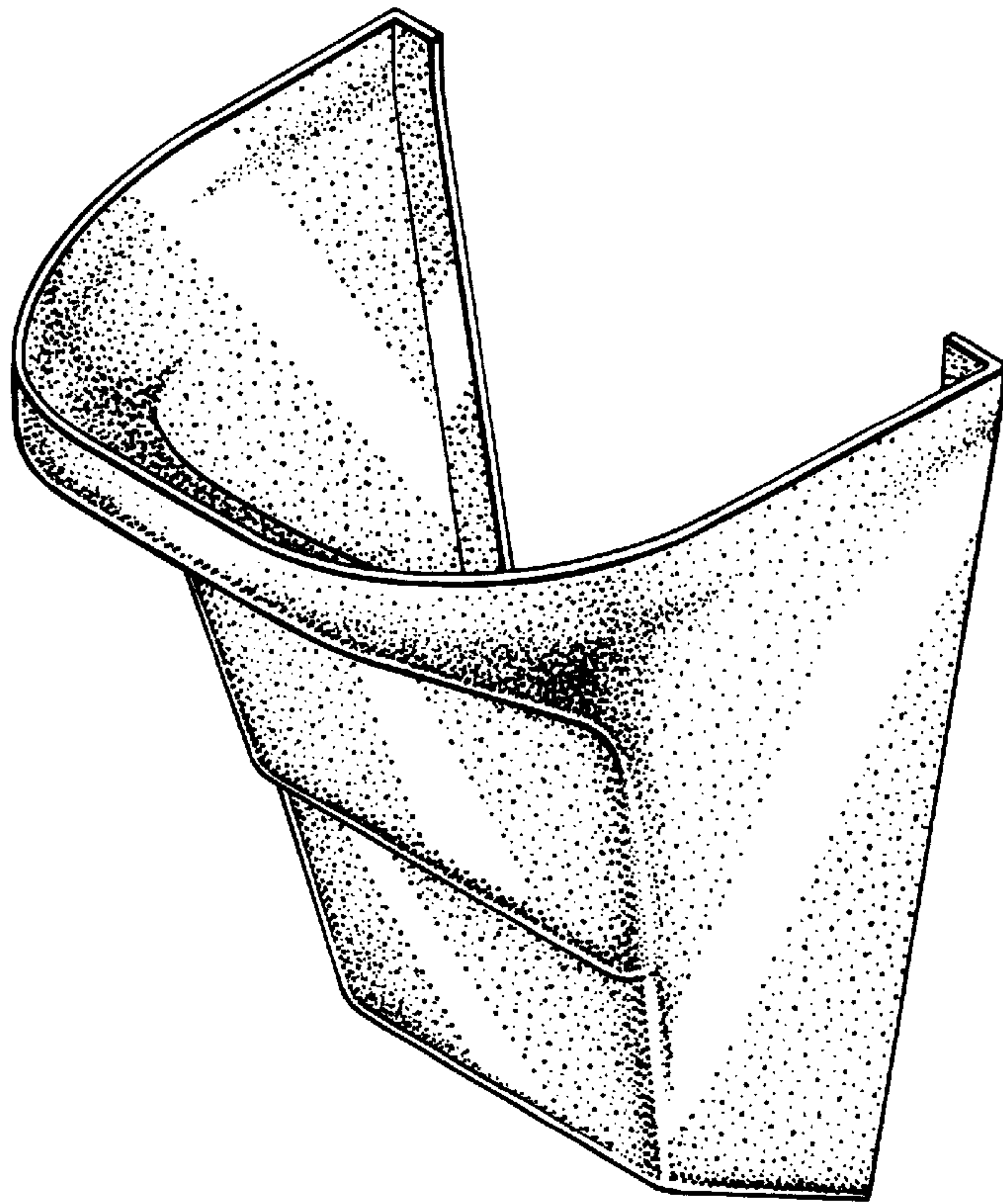


FIG. 1

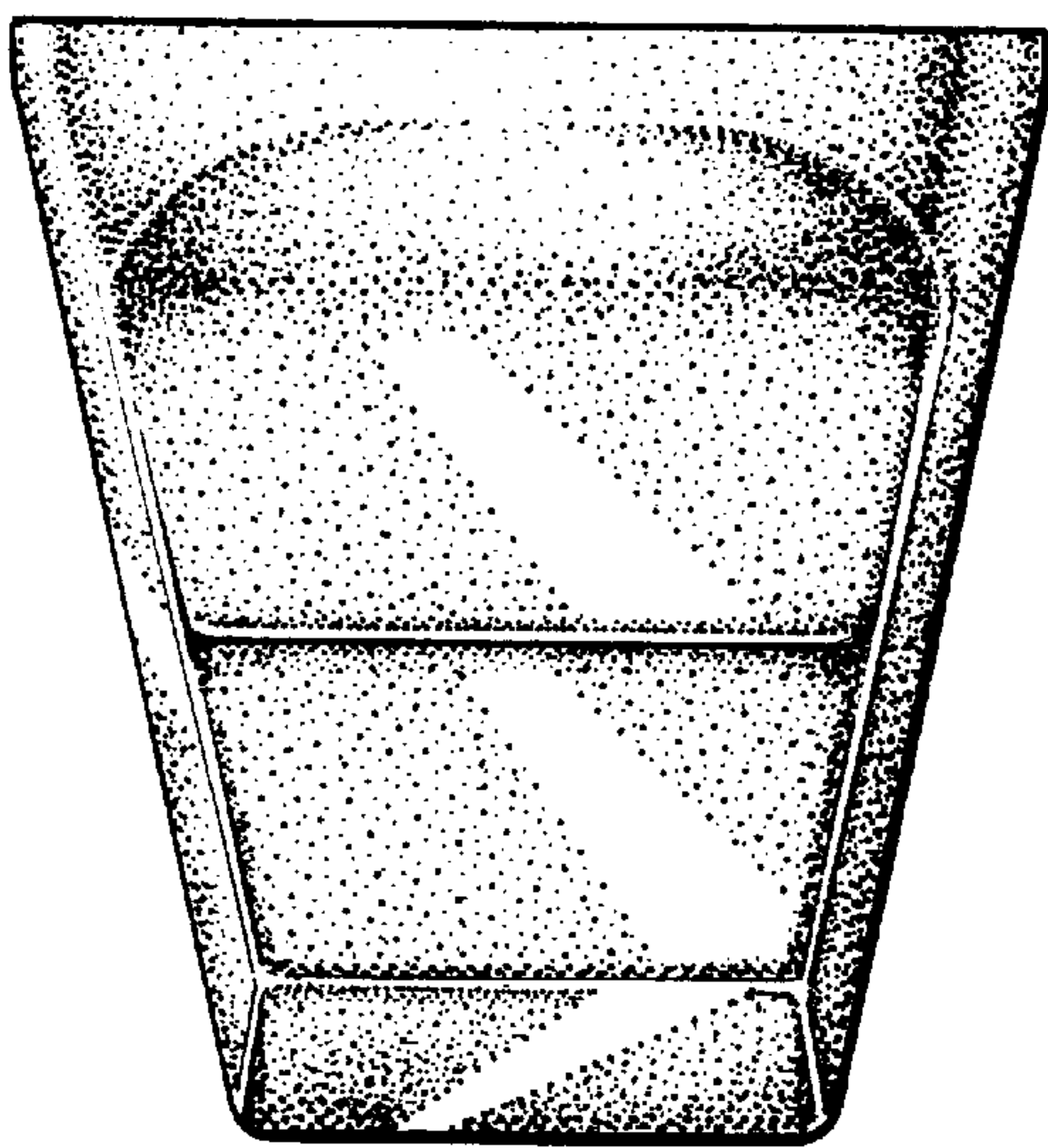


FIG. 2

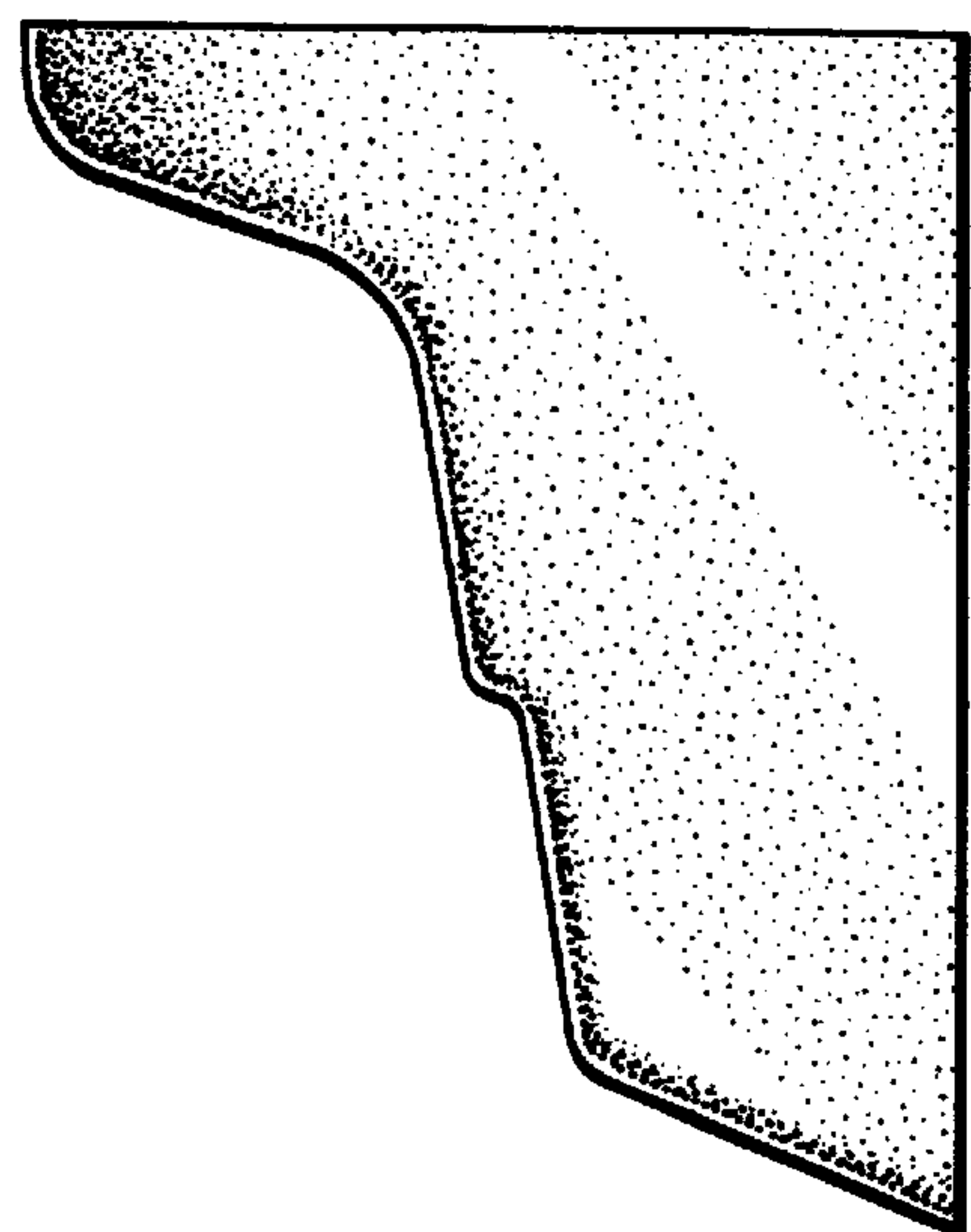


FIG. 3

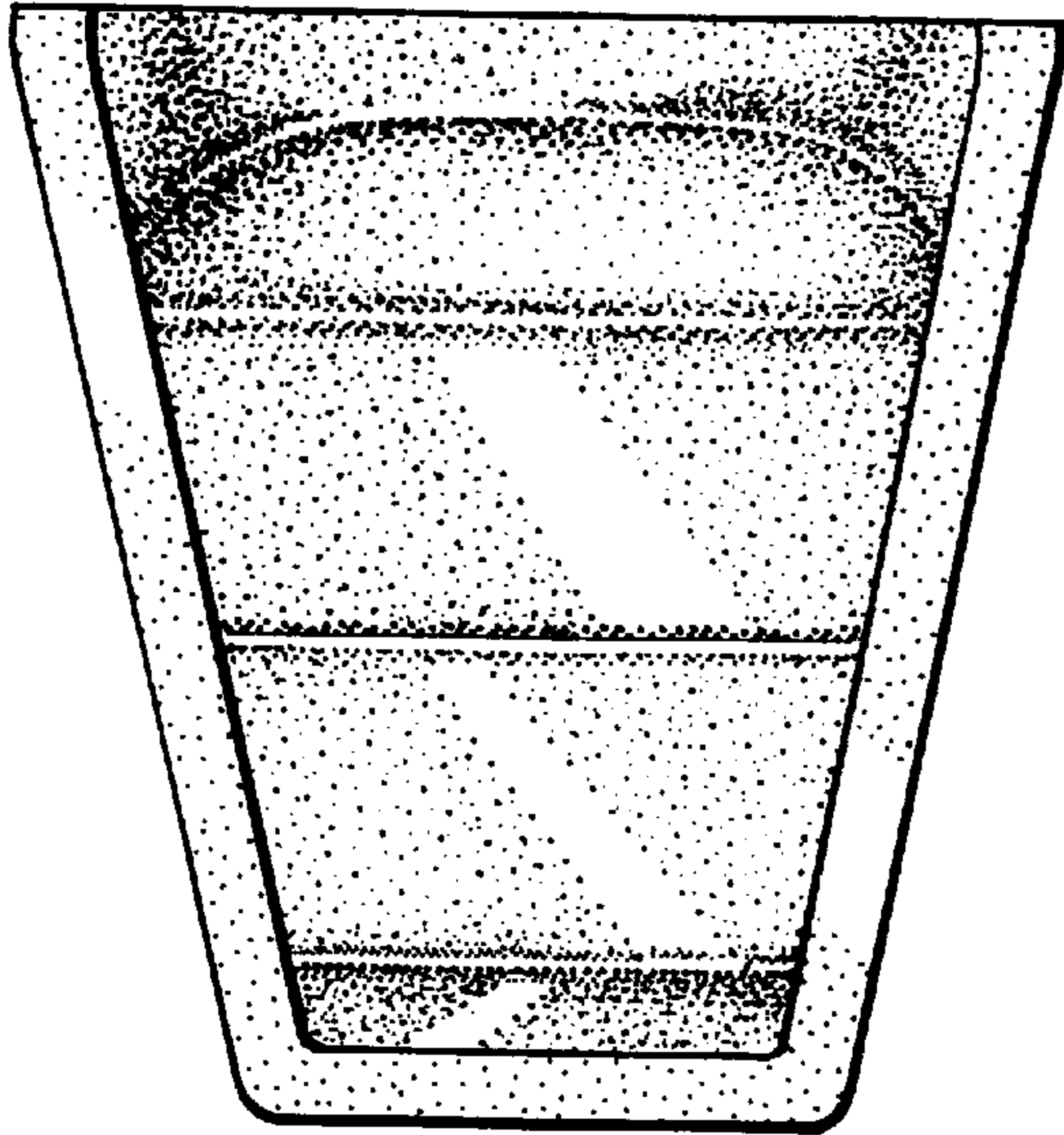


FIG. 4

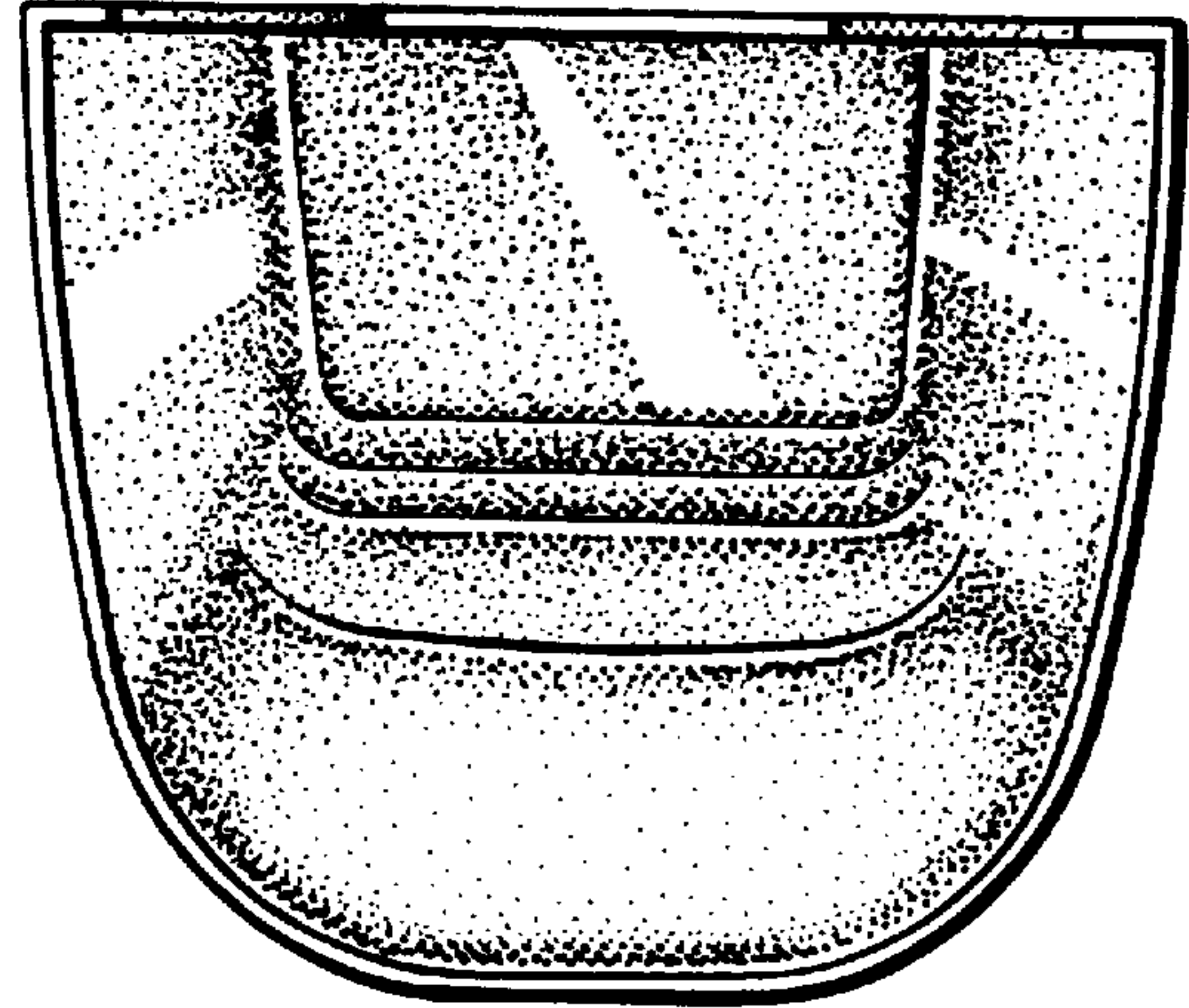


FIG. 5

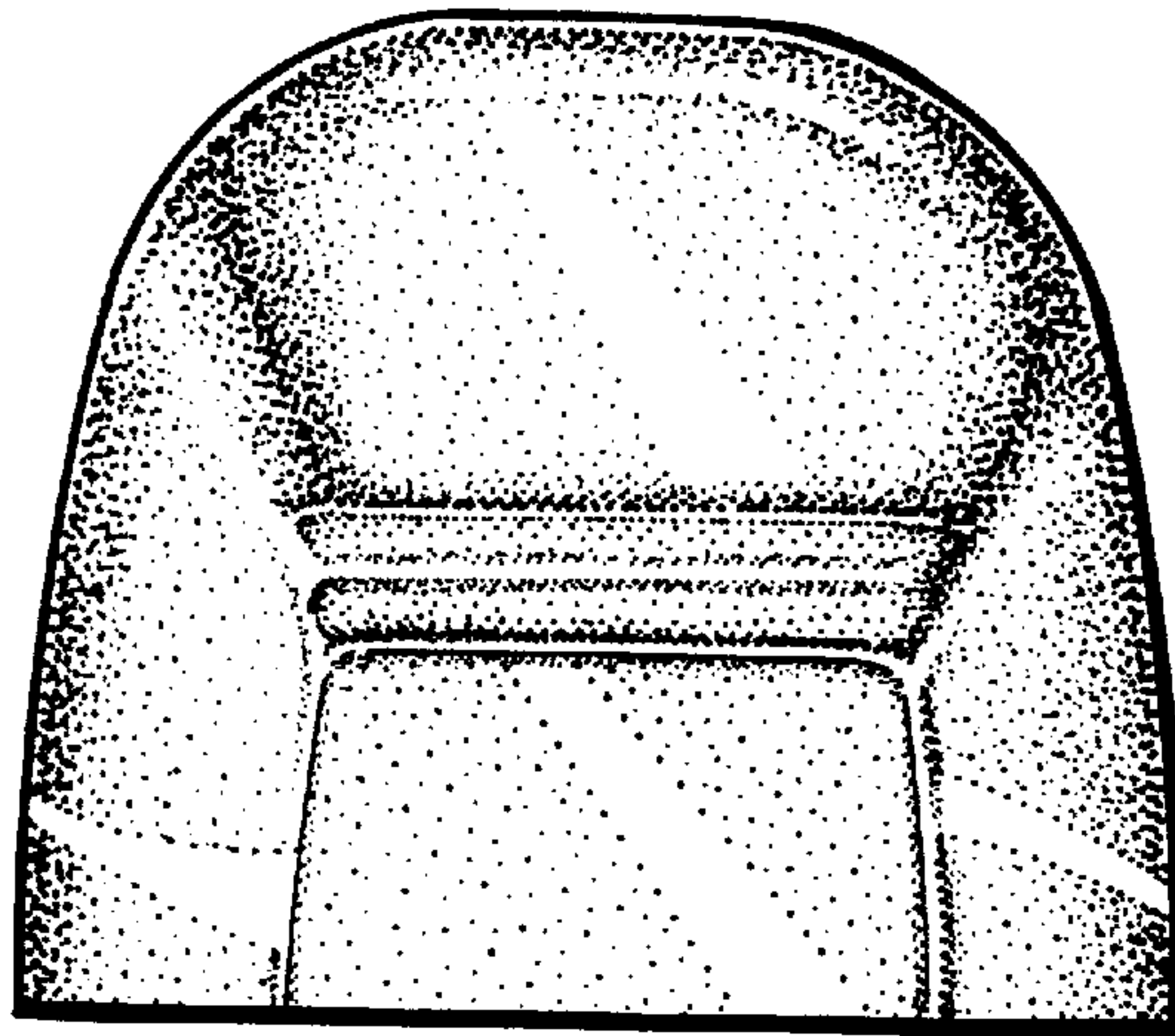


FIG 6