



US00D435891S

(12) **United States Design Patent**
Raffo

(10) **Patent No.:** **US D435,891 S**

(45) **Date of Patent:** **** Jan. 2, 2001**

(54) **SHOWER KIT**

(75) Inventor: **David Raffo**, Chester (GB)

(73) Assignee: **Bossini SRL** (IT)

(**) Term: **14 Years**

(21) Appl. No.: **29/094,469**

(22) Filed: **Oct. 2, 1998**

(30) **Foreign Application Priority Data**

Apr. 3, 1998 (XH) DM/043 871

(51) **LOC (7) Cl.** **23-04**

(52) **U.S. Cl.** **D23/283**

(58) **Field of Search** D23/275-283,
D23/303-311; 4/596, 600, 604, 605, 602,
607, 610, 612, 614; 248/75

(56) **References Cited**

U.S. PATENT DOCUMENTS

D. 256,610	*	8/1980	Belkir	D23/283
D. 284,688	*	7/1986	Baus	D23/283
D. 291,912	*	9/1987	Fabian	D23/283
D. 379,218	*	5/1997	Neufeld et al.	D23/304
3,979,096	*	9/1976	Zieger	248/75
4,174,822	*	11/1979	Larsson	248/75
4,457,031	*	7/1984	Moore	4/614
5,022,103	*	6/1991	Faist	4/596
5,408,709	*	4/1995	Lockwood	4/605
5,499,767	*	3/1996	Morand	239/383

* cited by examiner

Primary Examiner—Doris Clark

(74) *Attorney, Agent, or Firm*—Robert W. Becker & Associates

(57) **CLAIM**

The ornamental design for a shower kit, as shown in the drawing.

DESCRIPTION

FIG. 1 shows a front view of a first embodiment of my shower kit including a combined soap dish/wall mount.

FIG. 2 shows a side view of the first embodiment of my shower kit as shown in FIG. 1.

FIG. 3 shows a detail of the shower head holder of the embodiment of FIG. 1;

FIG. 4 shows a detail of the top wall mount, as seen in FIG. 1, in a view from the left.

FIG. 5 shows the shower head holder, as seen in FIG. 1, in a view from the left.

FIG. 6 shows a perspective view of the soap dish of the embodiment of FIG. 1.

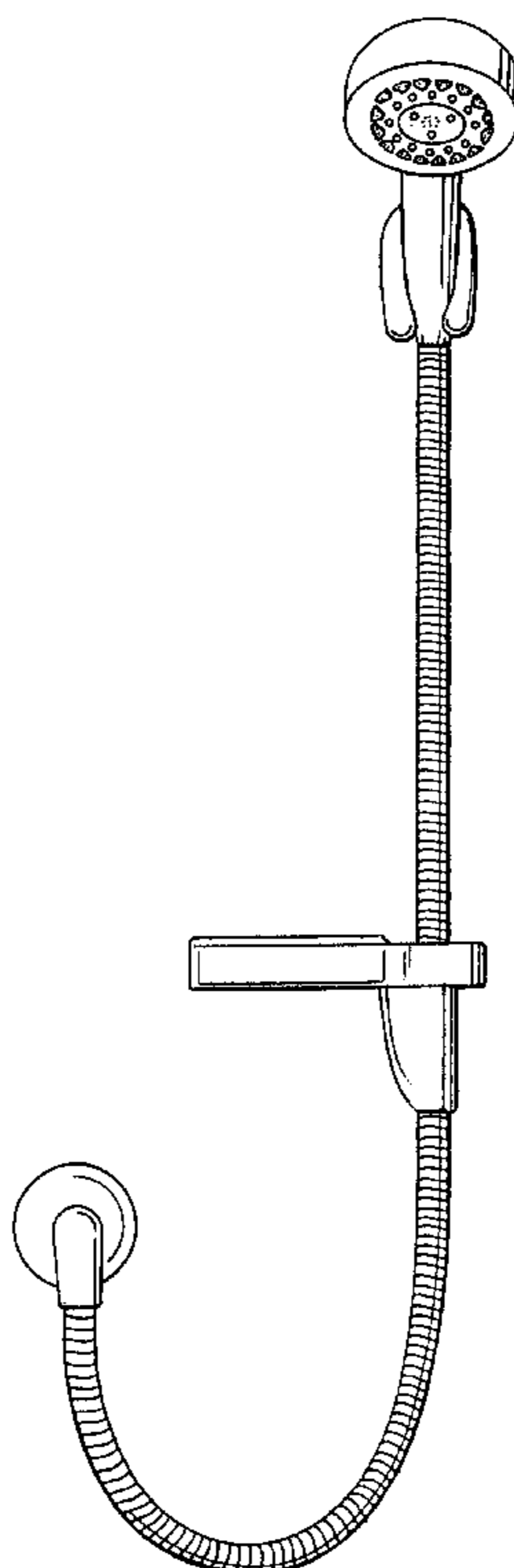
FIG. 7 shows a second embodiment of my shower kit with a different combined soap dish/wall mount but identical shower head wall mount as shown in the embodiment of FIG. 1 and shown in detail in FIG. 4.

FIG. 8 shows a side view of my shower kit as shown in FIG. 7.

FIG. 9 shows a perspective top view of the combined soap dish/wall mount of FIG. 7; and,

FIG. 10 shows an end view of the shower head spray nozzle of the first and second embodiments of the shower kit as shown in FIGS. 1 and FIG. 7.

1 Claim, 7 Drawing Sheets



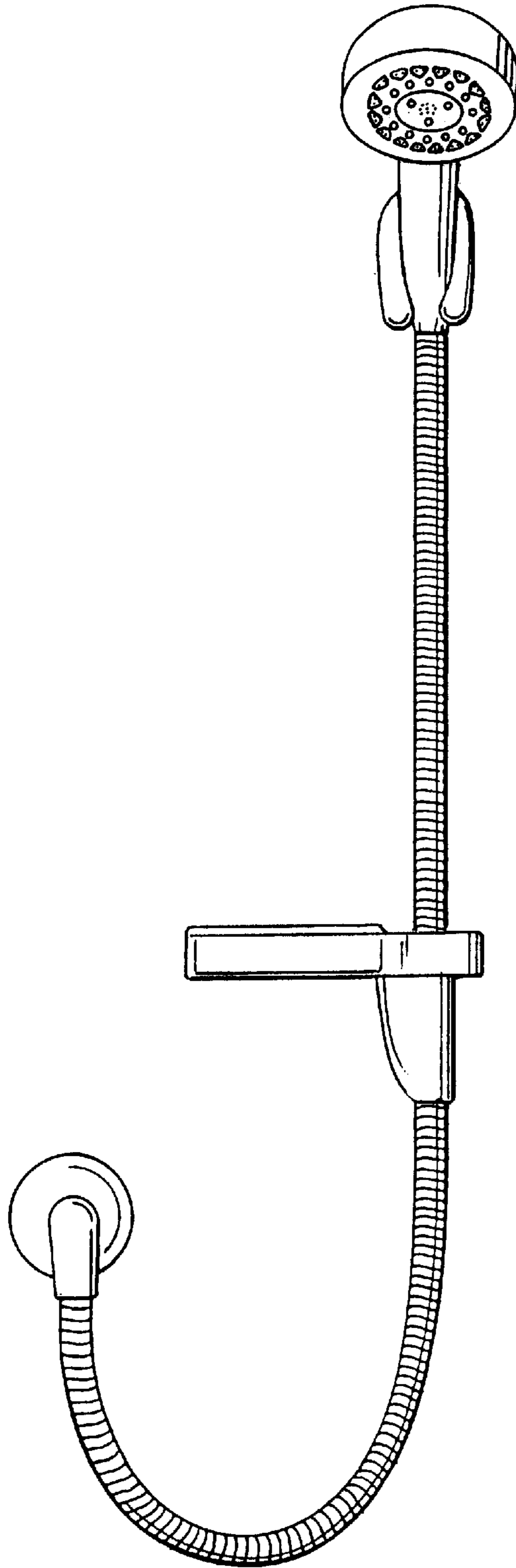


FIG-1

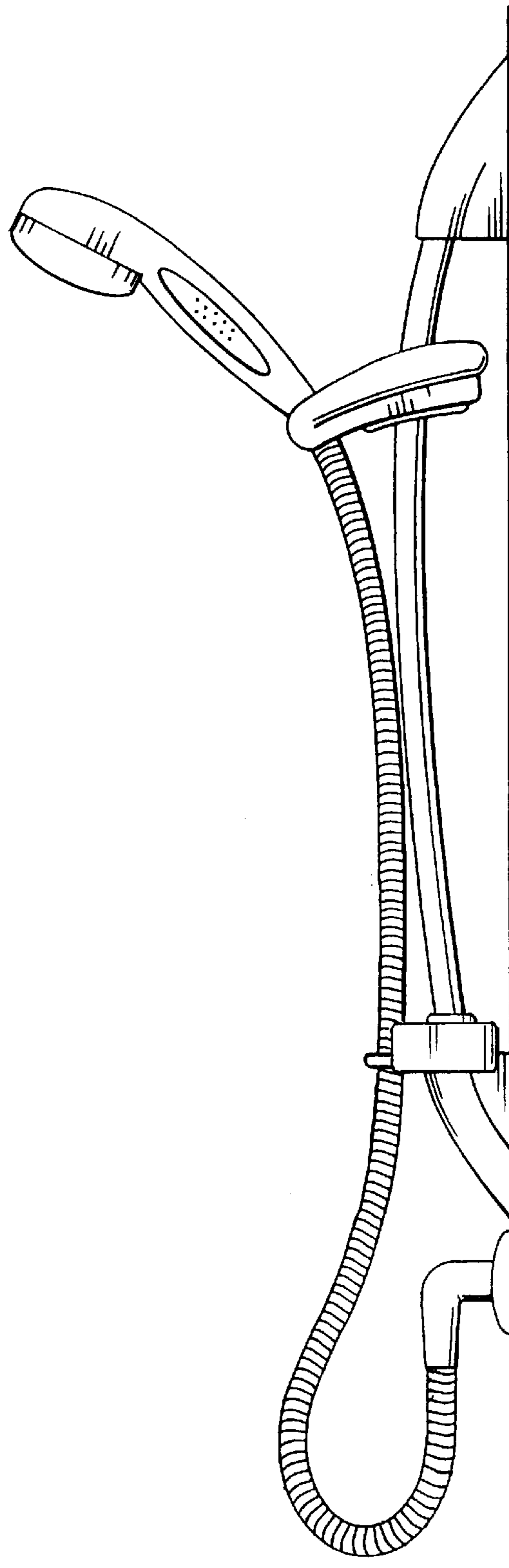
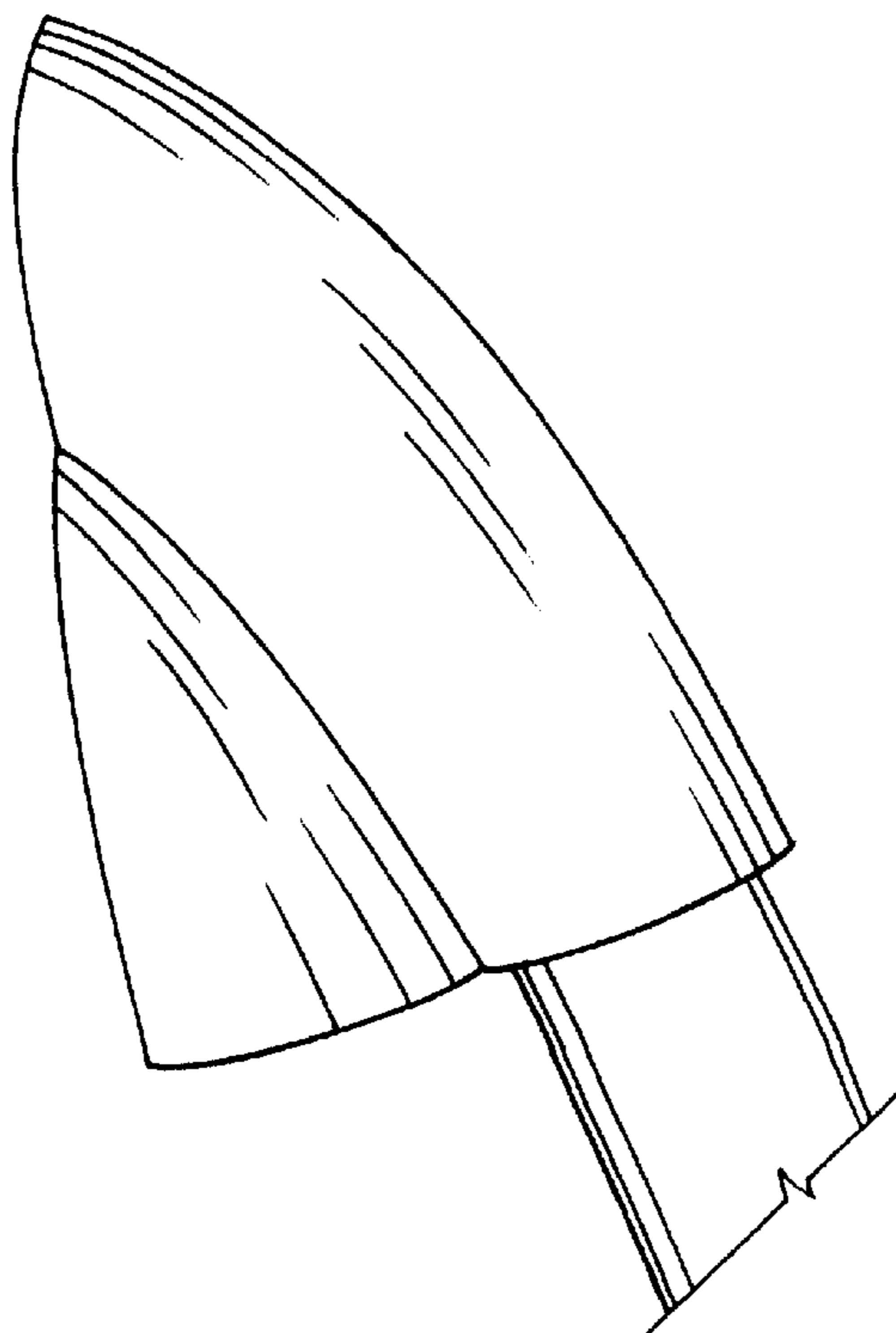
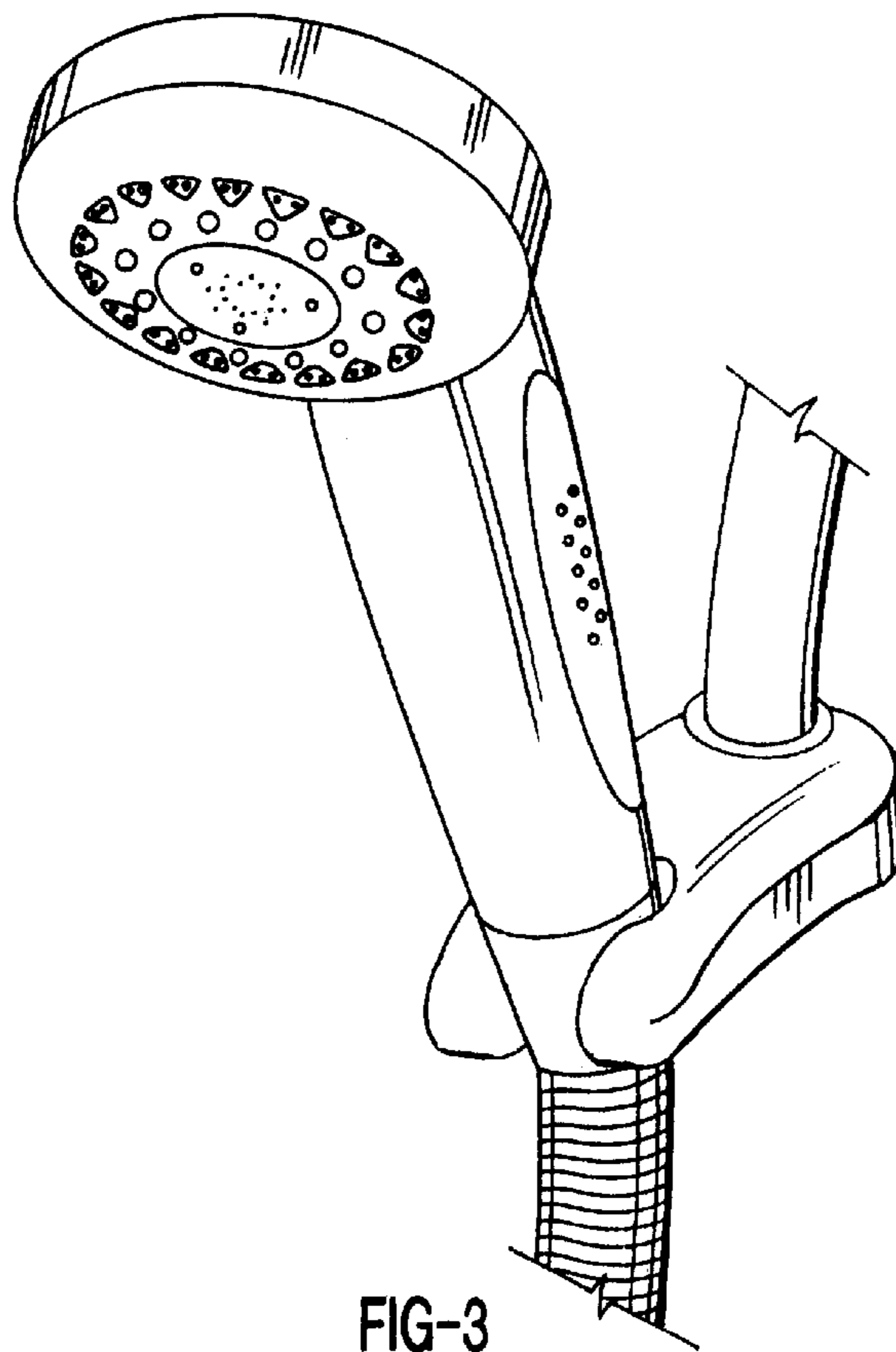


FIG-2



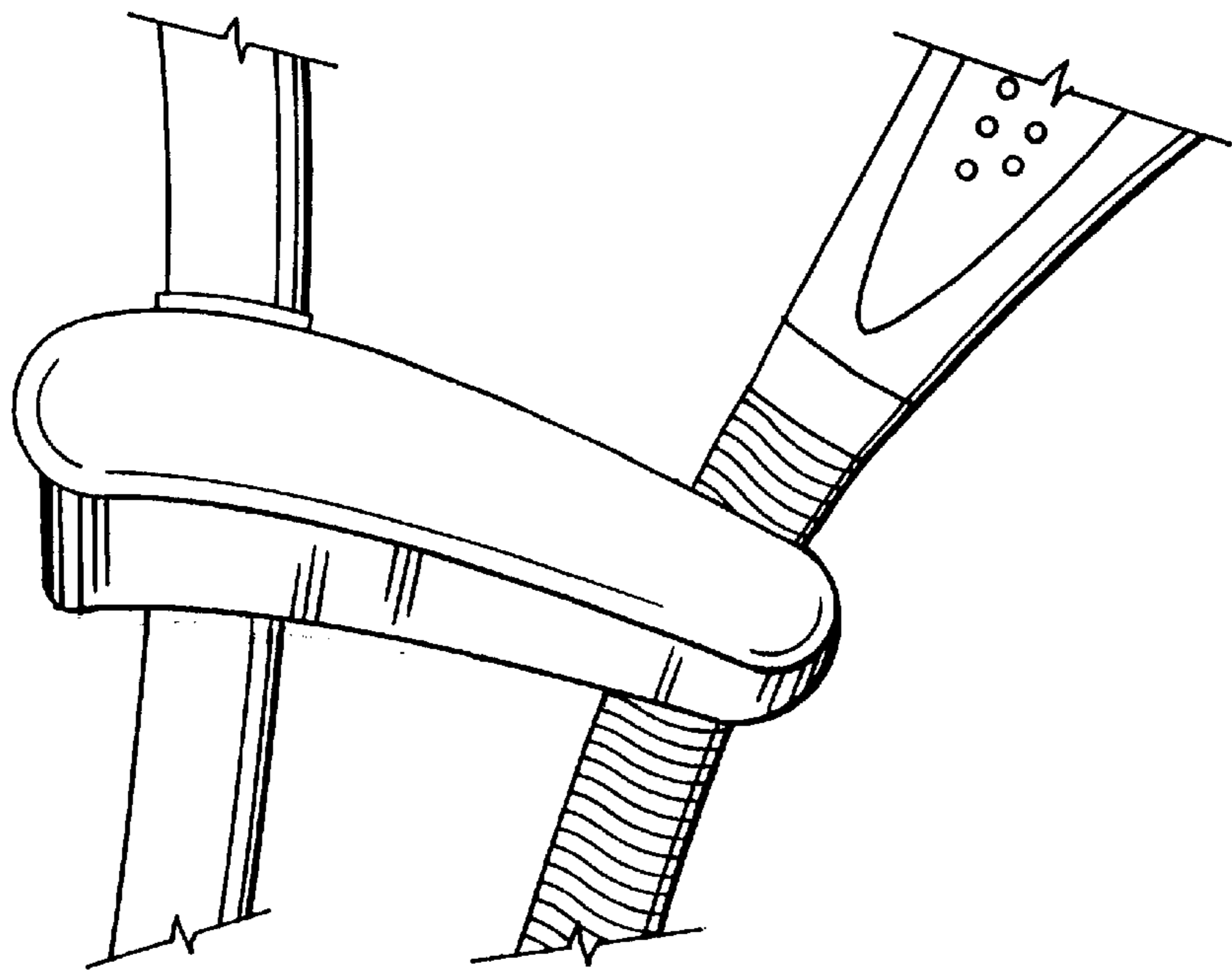


FIG-5

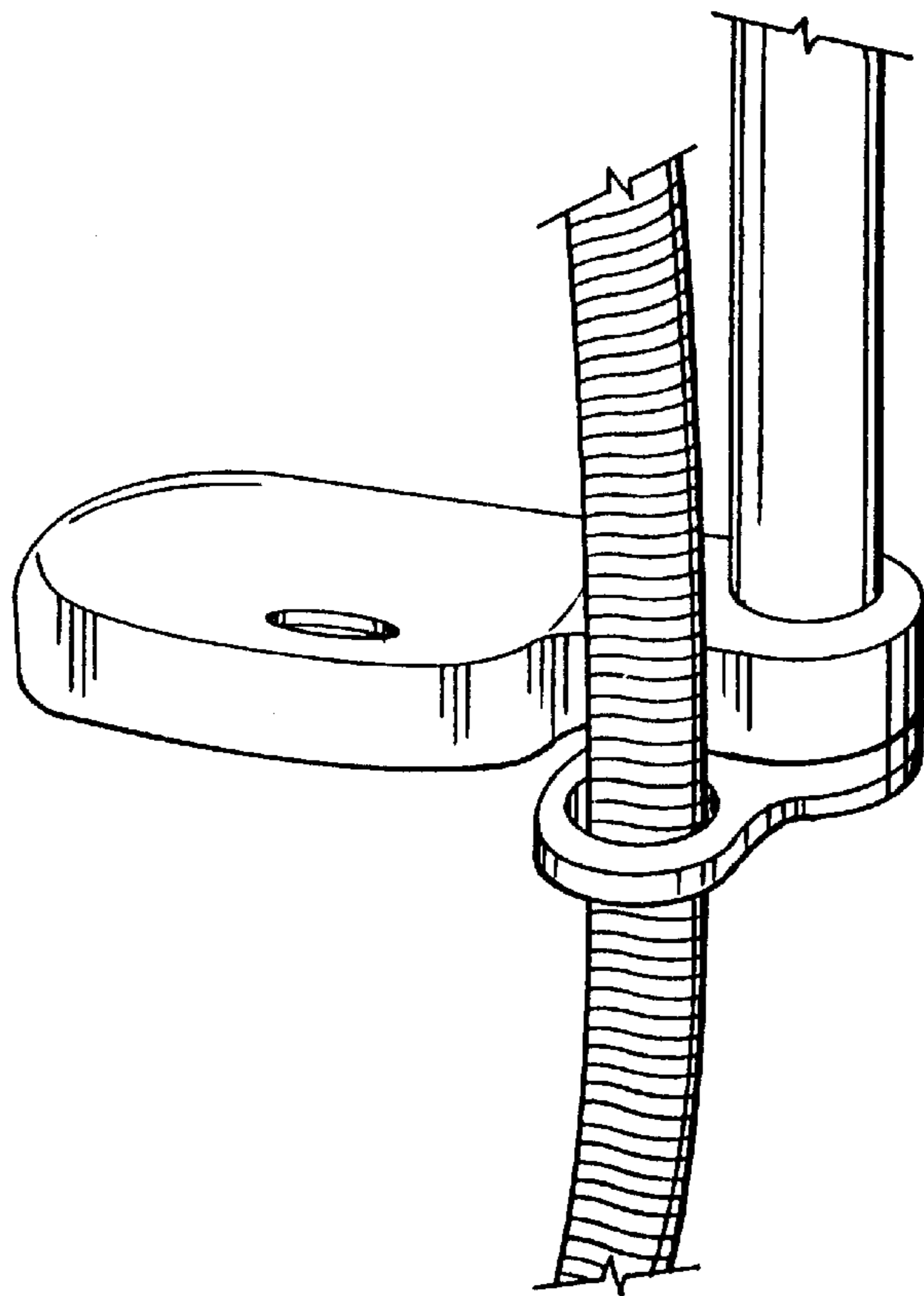


FIG-6

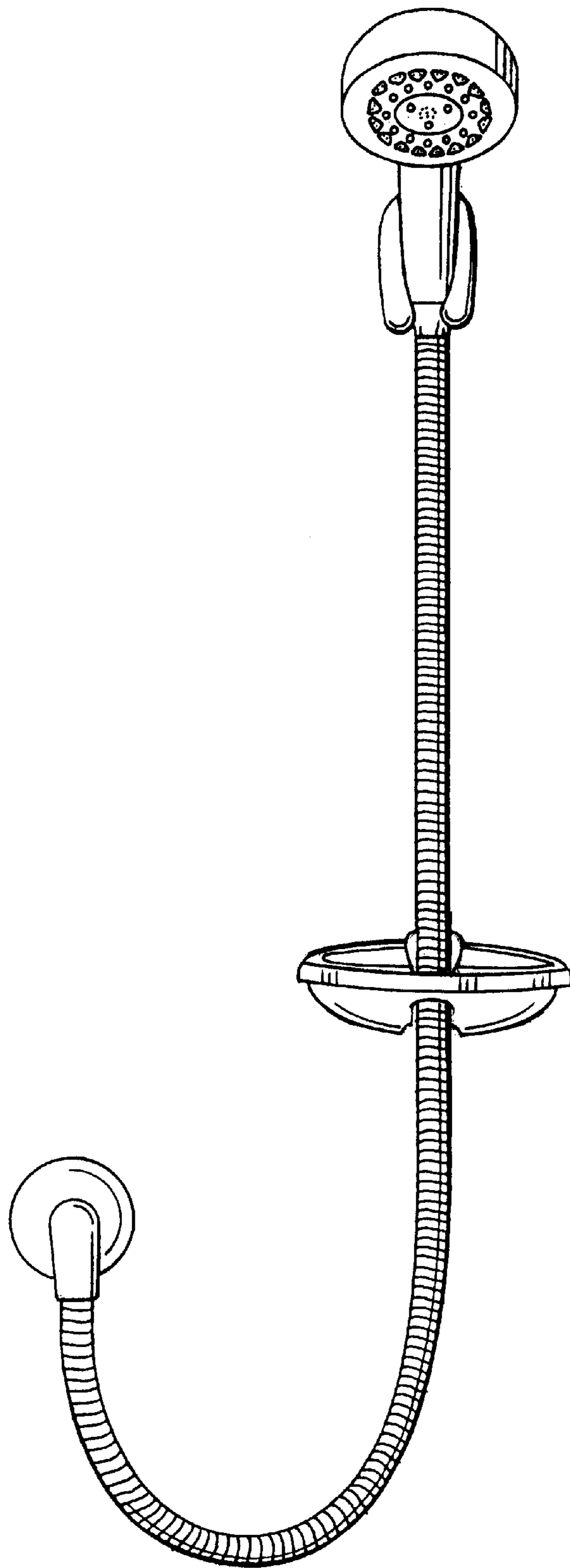


FIG-7

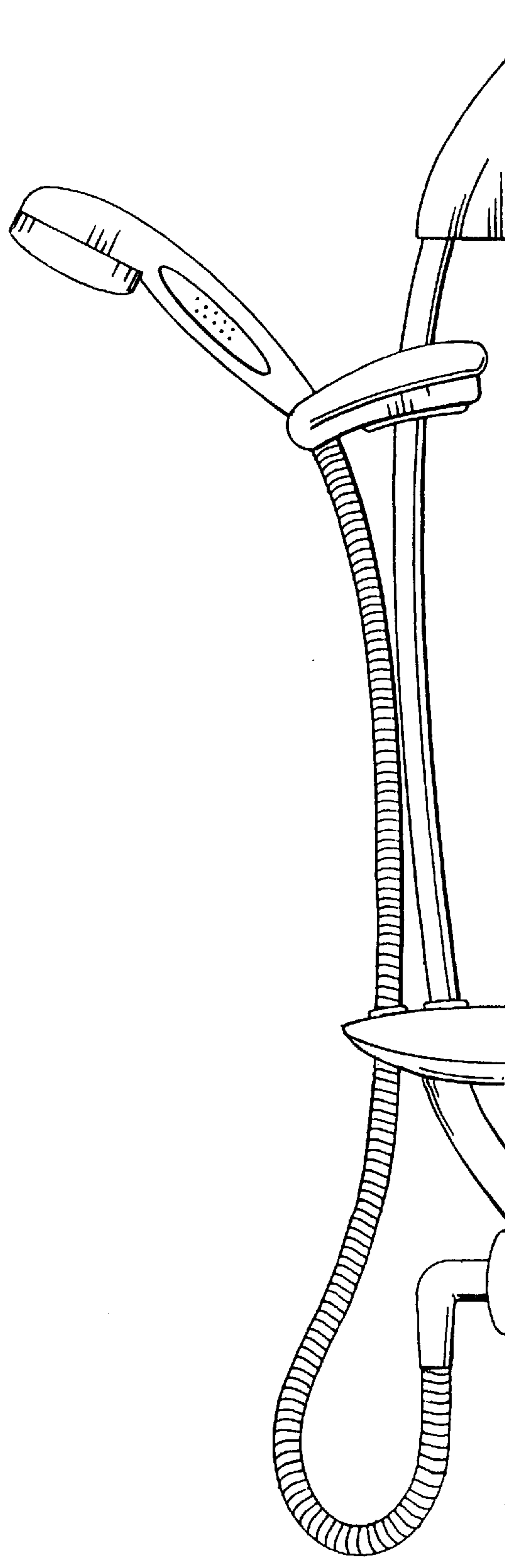


FIG-8

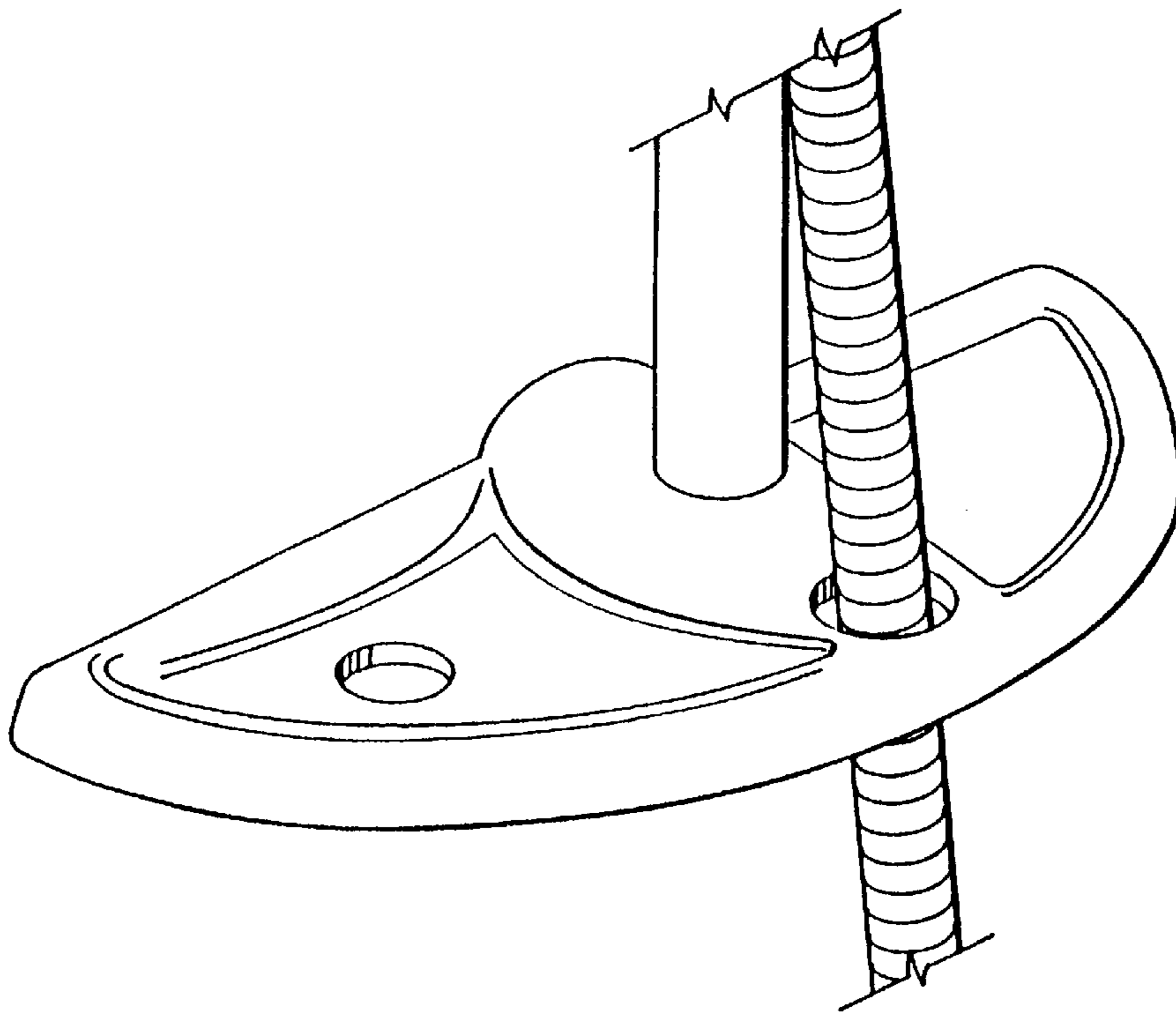


FIG-9

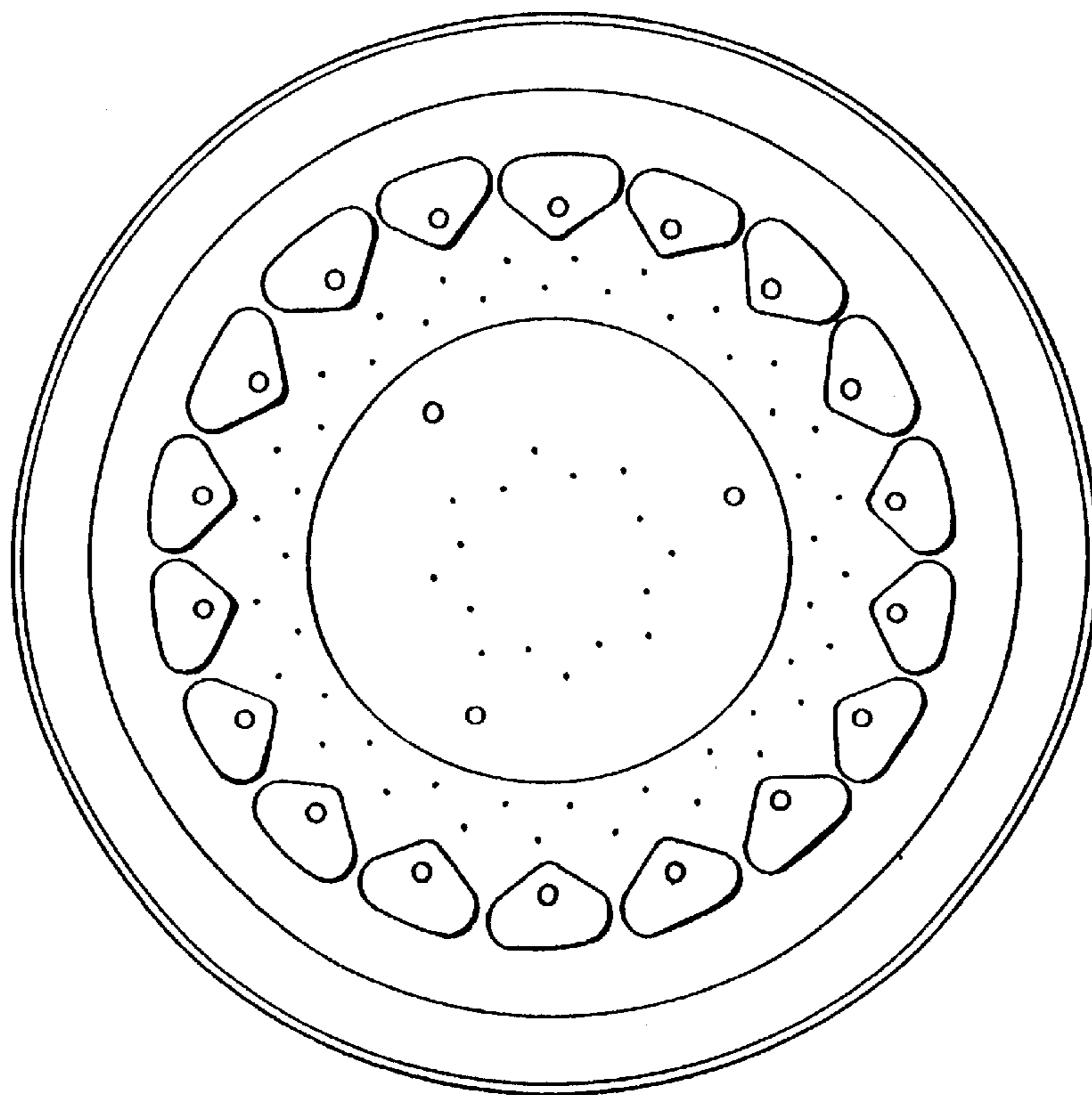


FIG-10