



US00D435882S

(12) **United States Design Patent**
Pedersen et al.

(10) **Patent No.:** **US D435,882 S**

(45) **Date of Patent:** **** Jan. 2, 2001**

(54) **AMUSEMENT VEHICLE**

3,176,862 * 4/1965 Walters et al. 446/425

(76) Inventors: **Jorgen Rieffensthal Pedersen**, 16
Livistona Drive; **Jan Rune**, 3/1 Howard
Street, both of Noosaville, Queensland,
4566 (AU)

* cited by examiner

Primary Examiner—Mitchell Siegel
(74) *Attorney, Agent, or Firm*—Knobbe, Martens, Olson &
Bear, LLP

(**) Term: **14 Years**

(57) **CLAIM**

(21) Appl. No.: **29/110,541**

The design for an amusement vehicle, as shown and
described herein.

(22) Filed: **Sep. 9, 1999**

DESCRIPTION

(51) **LOC (7) Cl.** **21-03**

(52) **U.S. Cl.** **D21/833**

(58) **Field of Search** D21/831, 833,
D21/826, 827; 482/35, 36

FIG. 1 is a side view of an amusement vehicle;
FIG. 2 is a plan view of an amusement vehicle;
FIG. 3 is a front view of an amusement vehicle; and
FIG. 4 is a rear view of an amusement vehicle.
FIG. 5 is a perspective view of the rear and side of an
amusement vehicle; and,
FIG. 6 is a perspective view of the front and side of an
amusement vehicle.

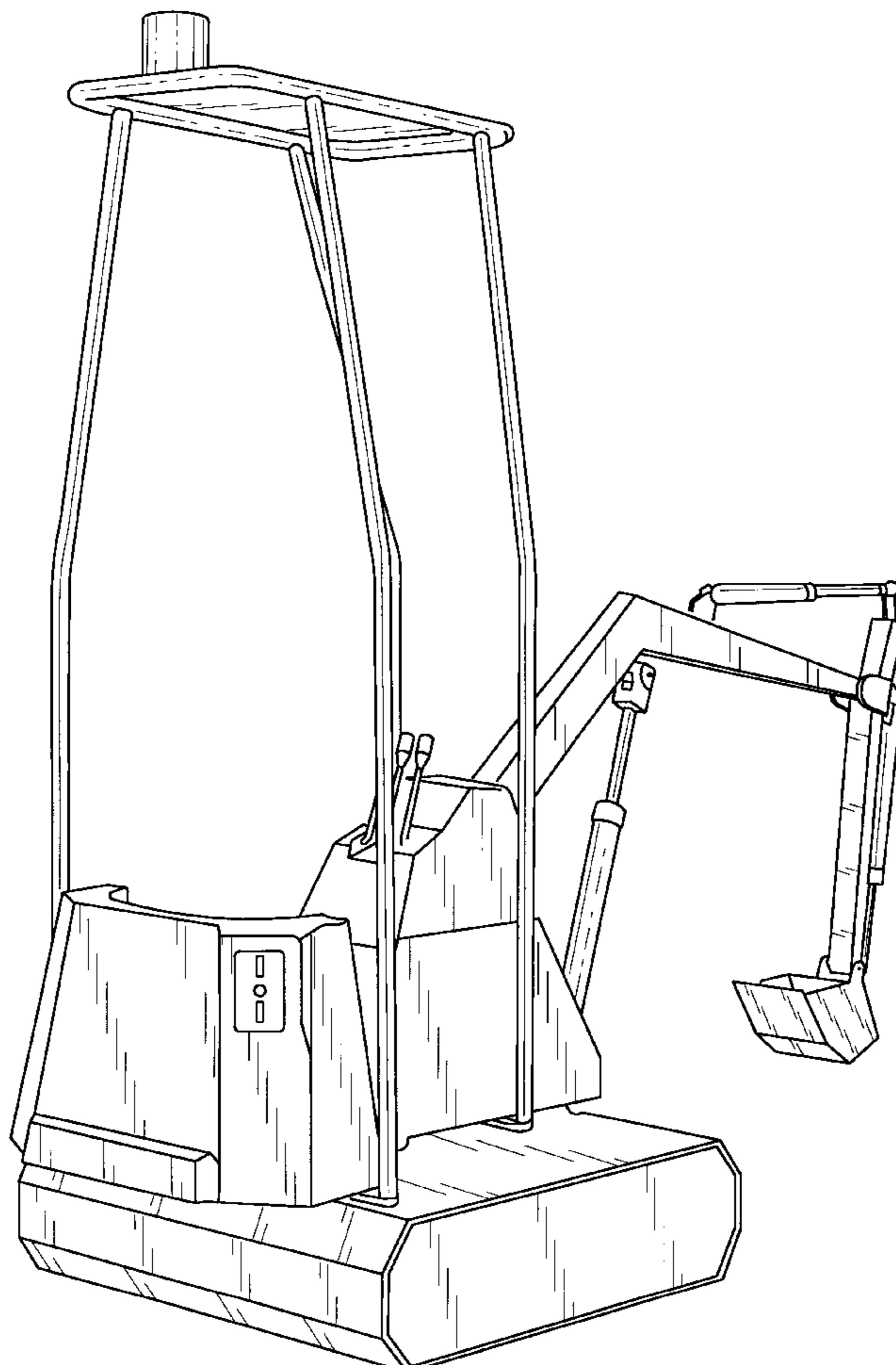
(56) **References Cited**

U.S. PATENT DOCUMENTS

- D. 215,166 * 9/1969 Richardson D21/833
- D. 228,358 * 9/1973 Wormser D21/833
- D. 276,355 * 11/1984 Sjolholm D21/833
- D. 321,380 * 11/1991 Dewing D21/833
- D. 322,099 * 12/1991 Mast D21/833
- 2,523,093 * 9/1950 Byrne 446/425

The surfaces or portions of the article not shown in the
drawings are described in the specification forms no part of
the claimed design.

1 Claim, 5 Drawing Sheets



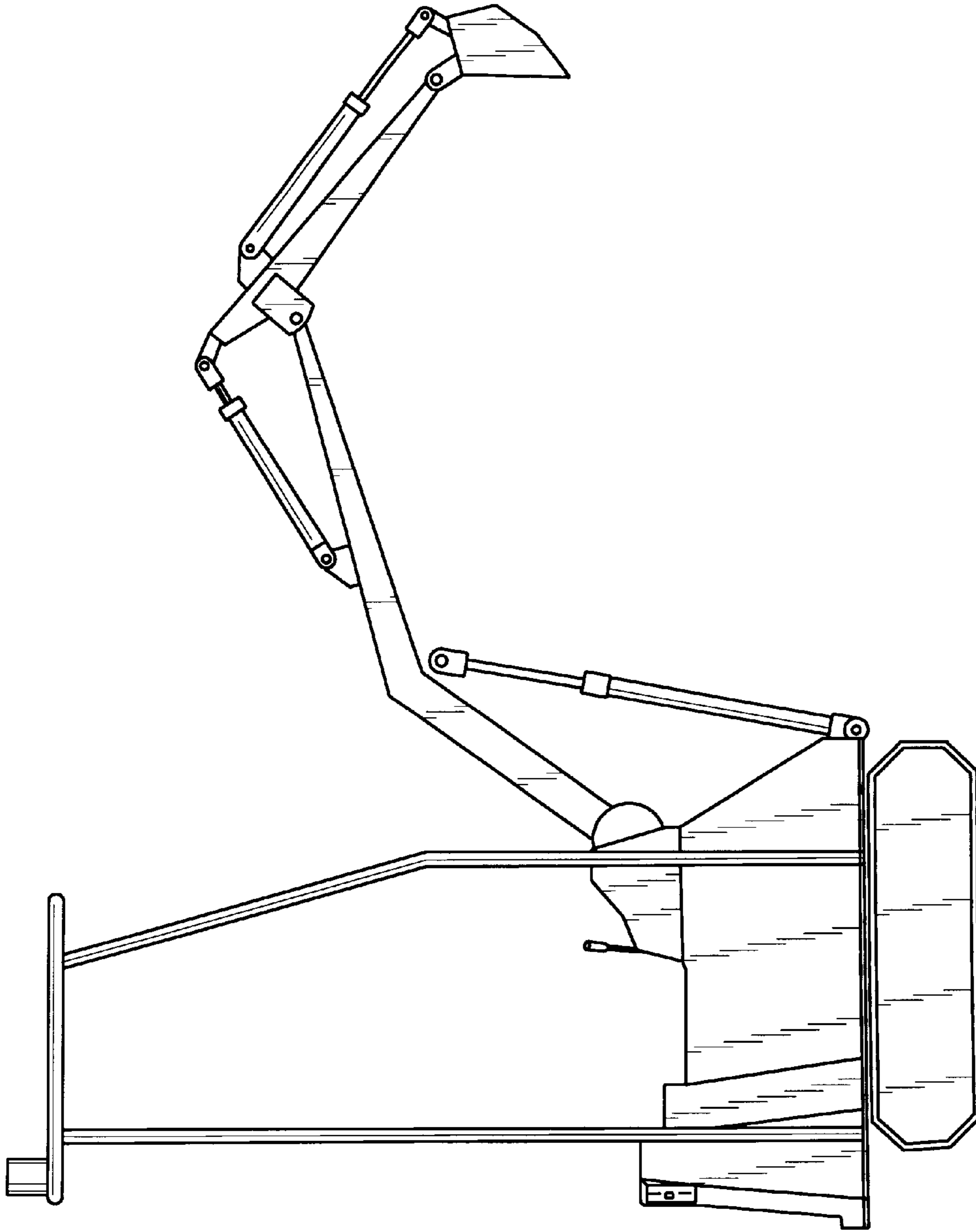


FIG. 1

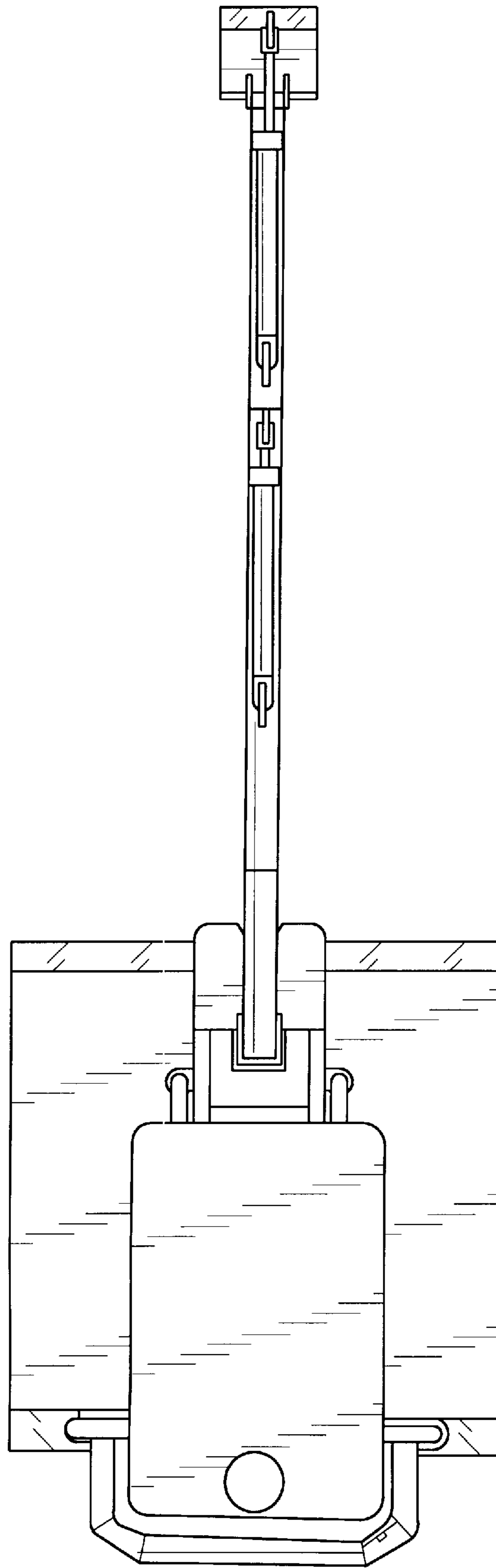


FIG. 2

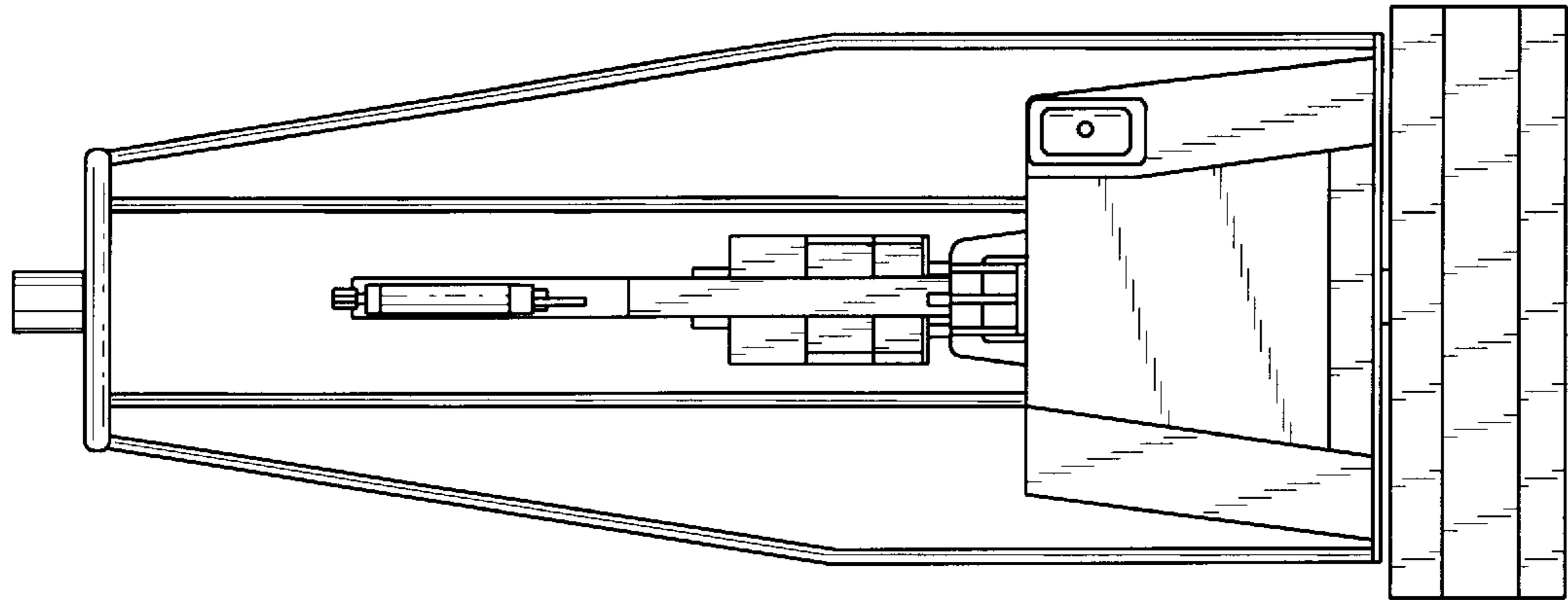


FIG. 4

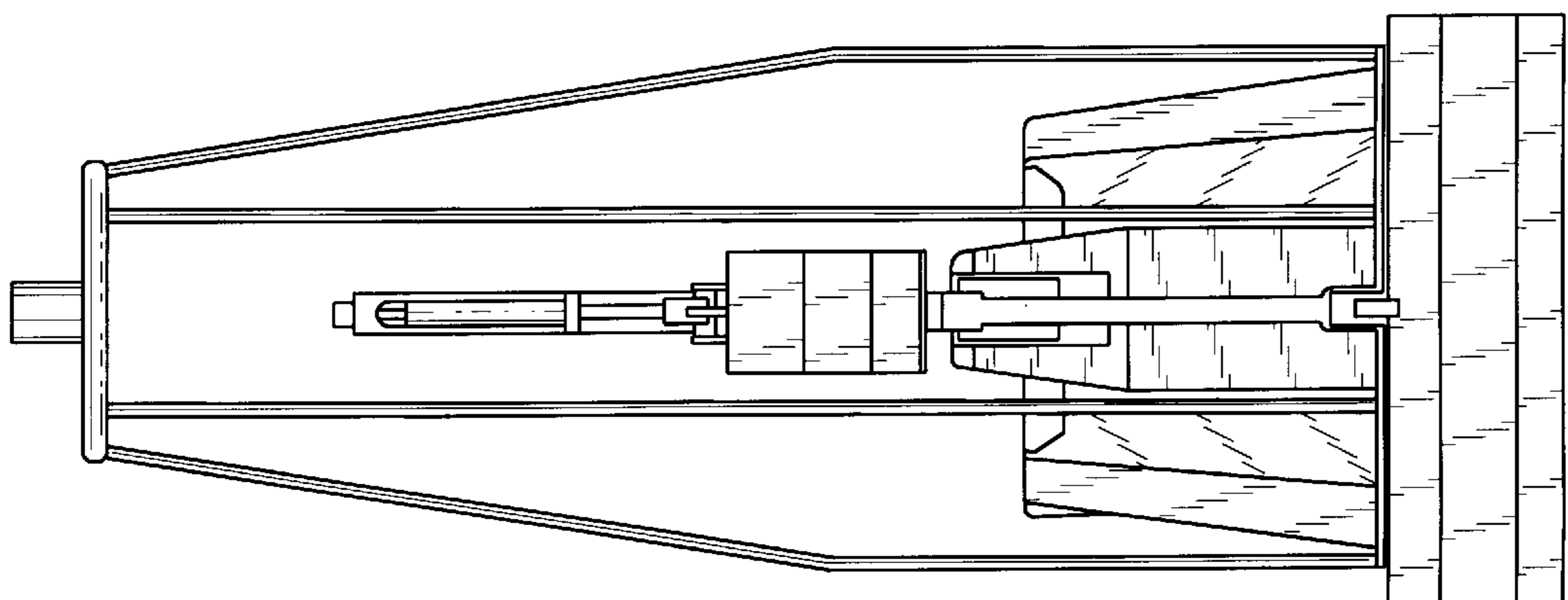


FIG. 3

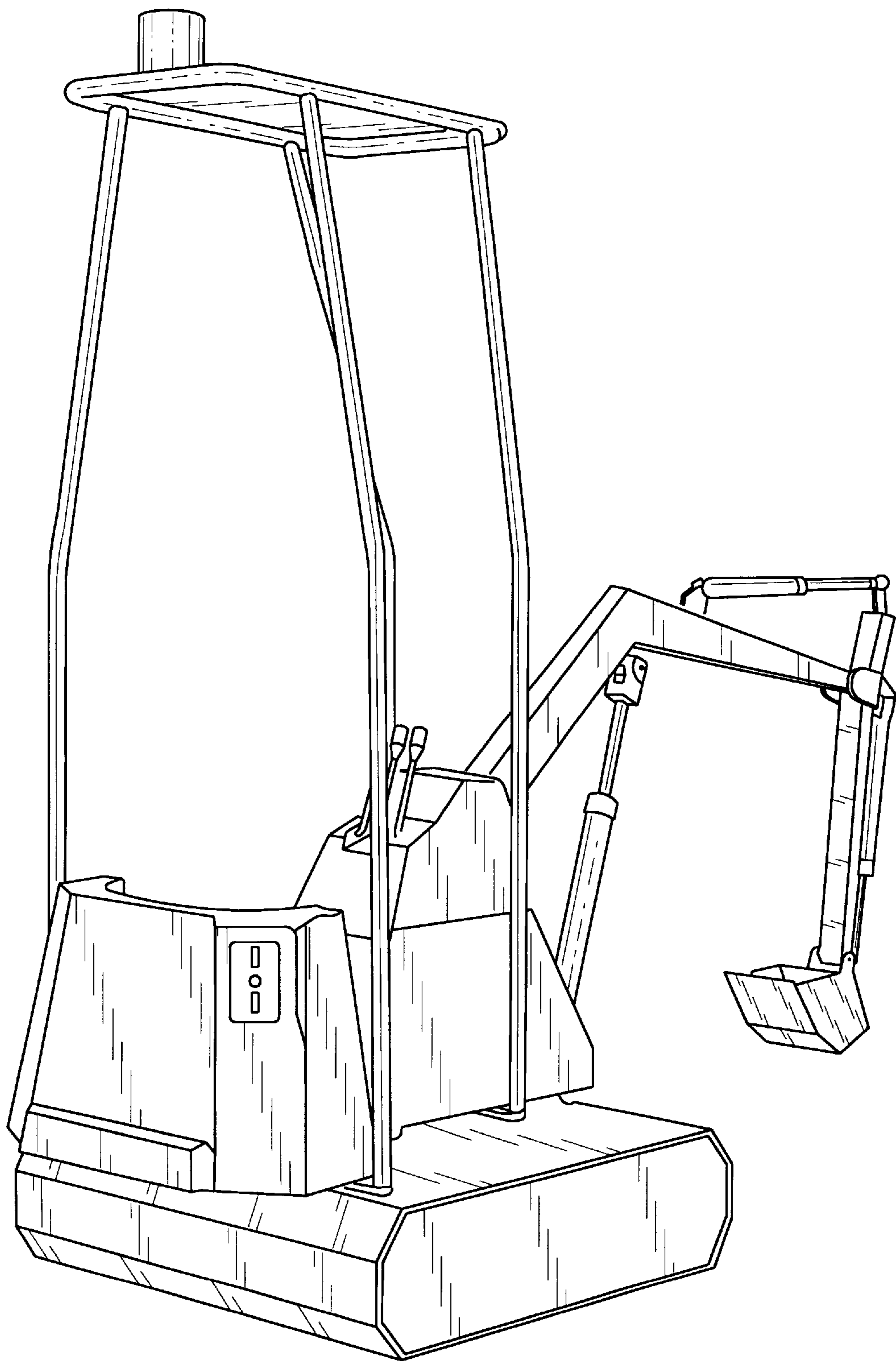


FIG. 5

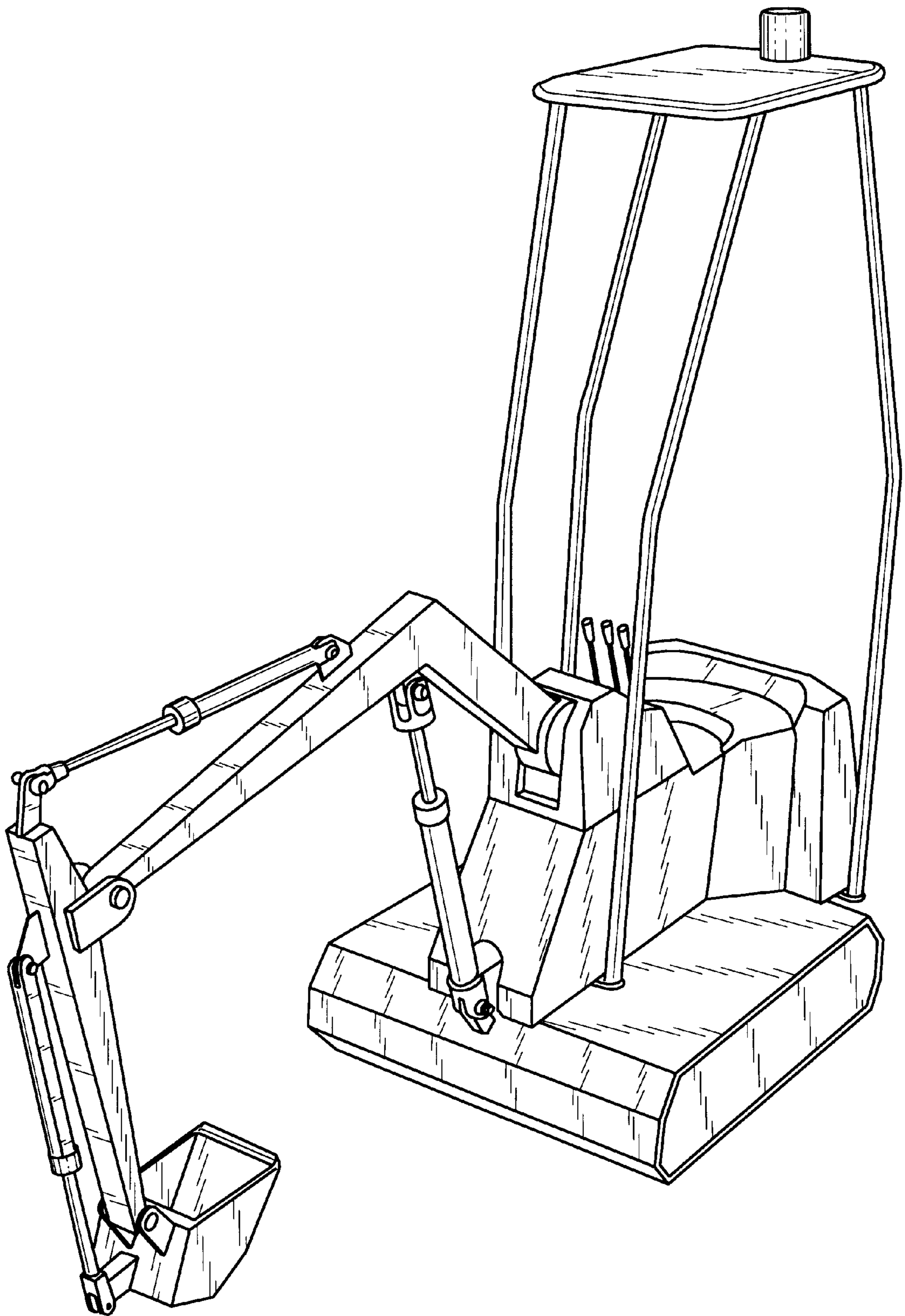


FIG. 6