



US00D435881S

(12) **United States Design Patent**
Gardner et al.

(10) **Patent No.:** **US D435,881 S**

(45) **Date of Patent:** **** Jan. 2, 2001**

(54) **PLAY SYSTEM**

(75) Inventors: **Michael Gardner; Klaudia Gardner,**
both of Hudson, OH (US)

(73) Assignee: **DinoGym Playsystems, Inc.,** Hudson,
OH (US)

(**) Term: **14 Years**

(21) Appl. No.: **29/119,918**

(22) Filed: **Mar. 10, 2000**

(51) **LOC (7) Cl.** **21-03**

(52) **U.S. Cl.** **D21/827; D21/820; D21/825**

(58) **Field of Search** **D21/811, 814,**
D21/818-827; 482/35, 36; 472/116-125

(56) **References Cited**

U.S. PATENT DOCUMENTS

D. 271,037	*	10/1983	Gordon	D21/836
D. 274,450		6/1984	Gordon	.	
D. 281,447	*	11/1985	Gordon	D21/822
D. 347,458	*	5/1994	Cunard et al.	D21/818
D. 357,300	*	4/1995	Maynard	D21/820
D. 360,927	*	8/1995	VanDeusen	D21/827
D. 361,116	*	8/1995	Shaneour	D21/836

D. 415,545 * 10/1999 Sutton et al. D21/820

* cited by examiner

Primary Examiner—Mitchell Siegel

(74) *Attorney, Agent, or Firm*—Renner, Otto, Boisselle &
Sklar, LLP

(57) **CLAIM**

We claim the ornamental design for a play system, as shown.

DESCRIPTION

FIG. 1 is a perspective view of a play system, the rear-right portion thereof being in the foreground, showing our new design;

FIG. 2 is a perspective view thereof, the front-right portion thereof being shown in the foreground;

FIG. 3 is a perspective view thereof, rear-left portion thereof being shown in the foreground;

FIG. 4 is a perspective view thereof, the front-left portion thereof being shown in the foreground;

FIG. 5 is a right side elevational view thereof;

FIG. 6 is a rear elevational view thereof;

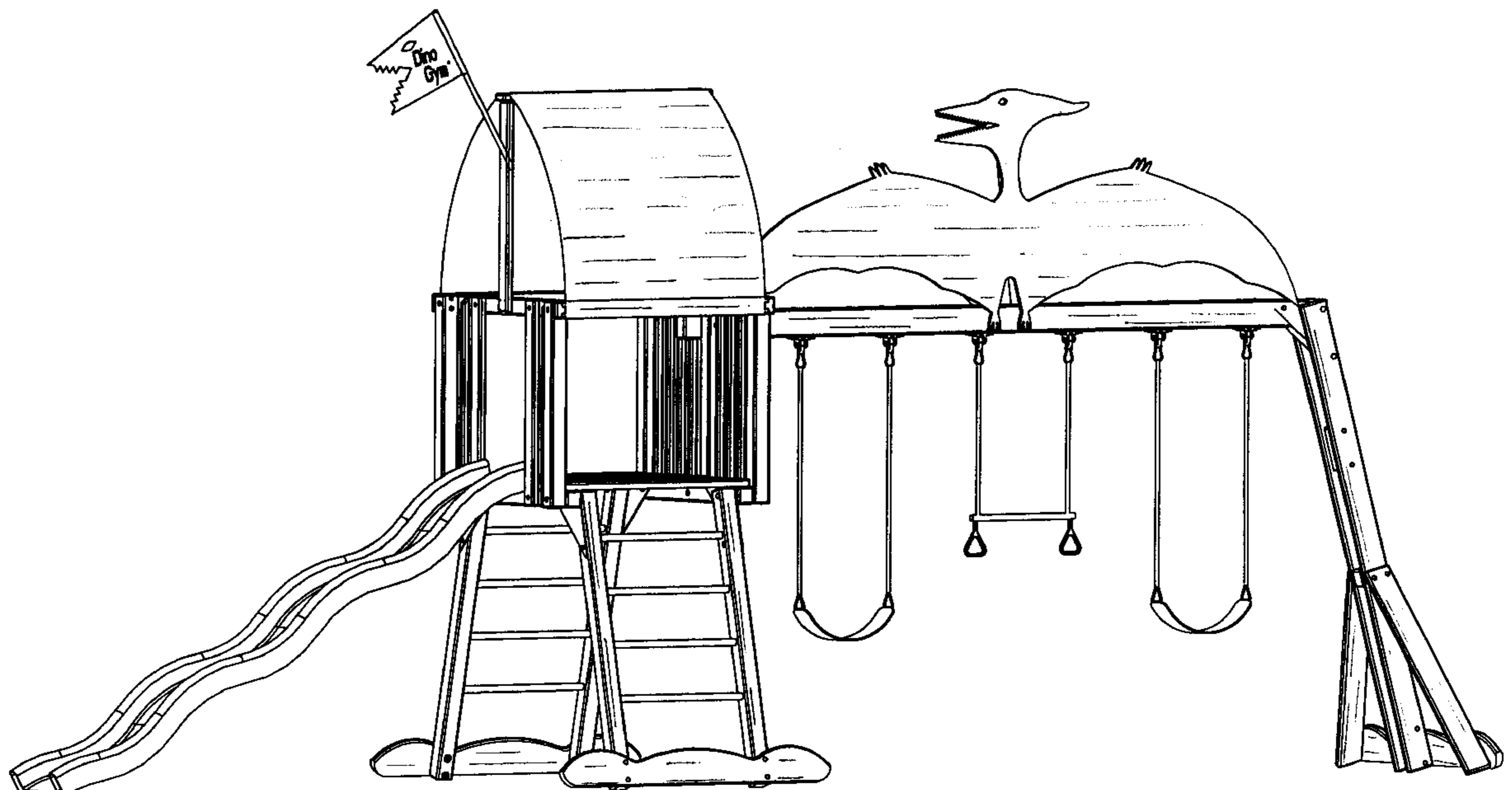
FIG. 7 is a left side elevational view thereof;

FIG. 8 is a front elevational view thereof;

FIG. 9 is a top plan view thereof; and,

FIG. 10 is a bottom plan view thereof.

1 Claim, 10 Drawing Sheets



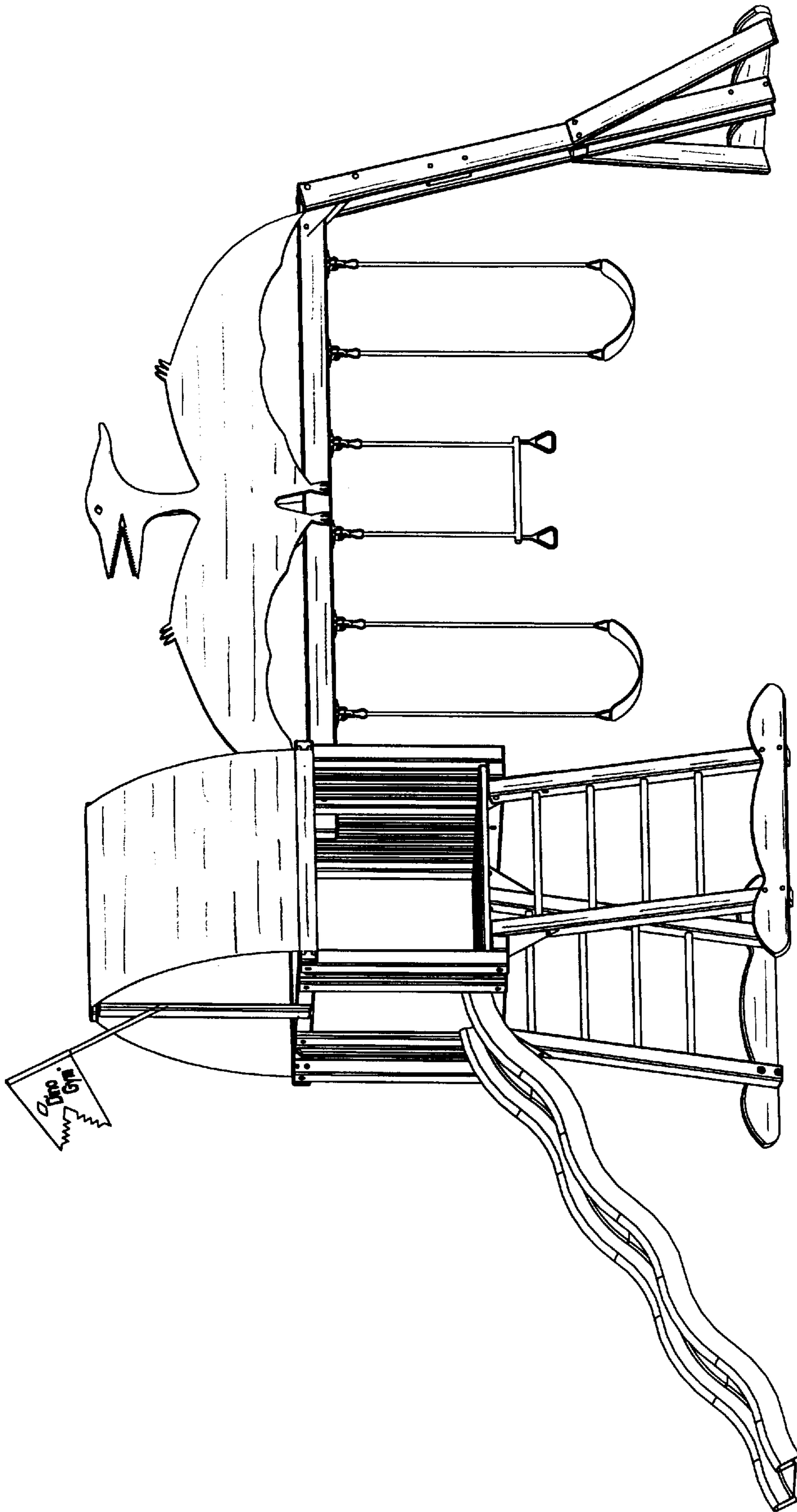


FIG. 1

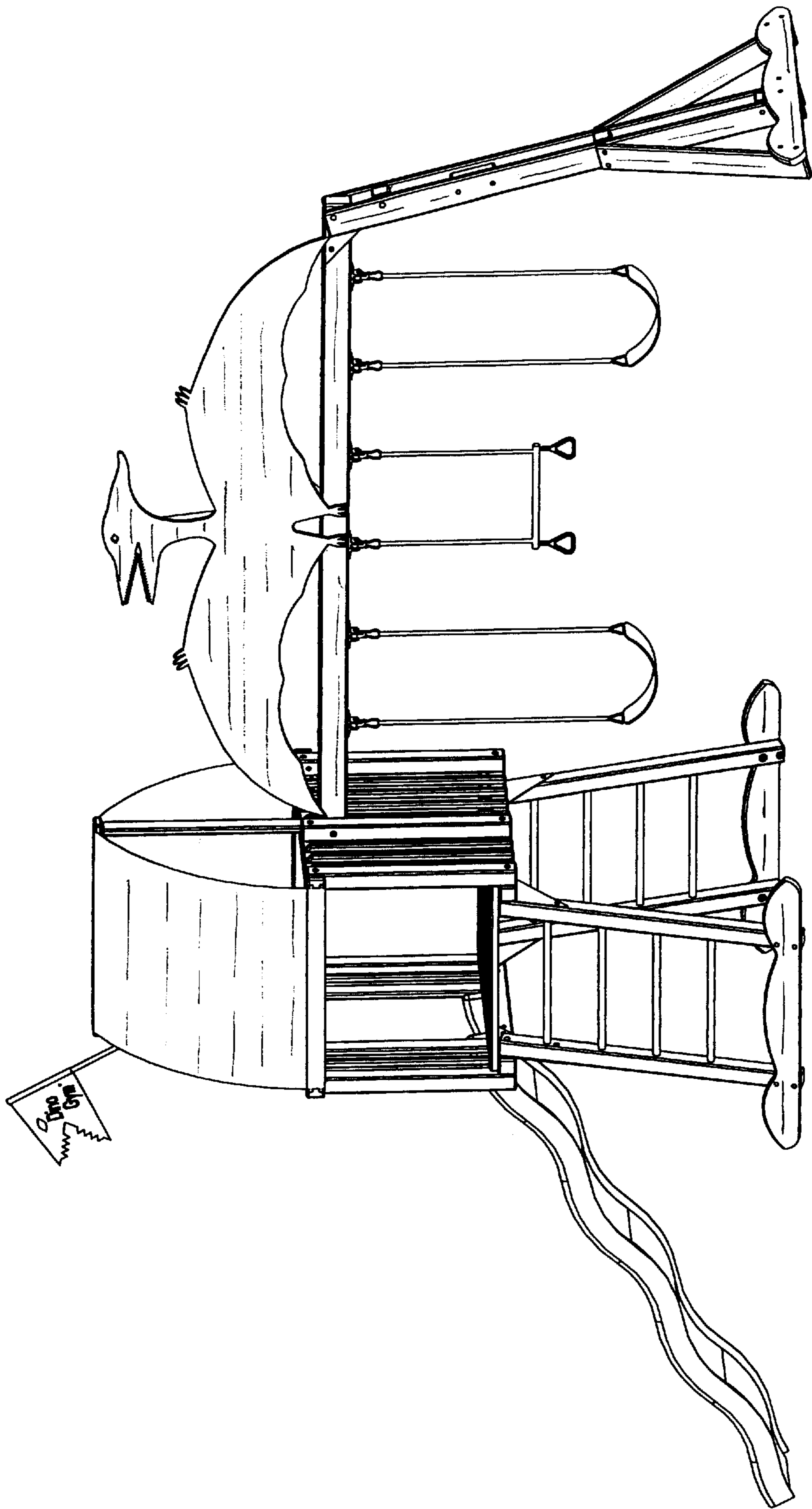


FIG. 2

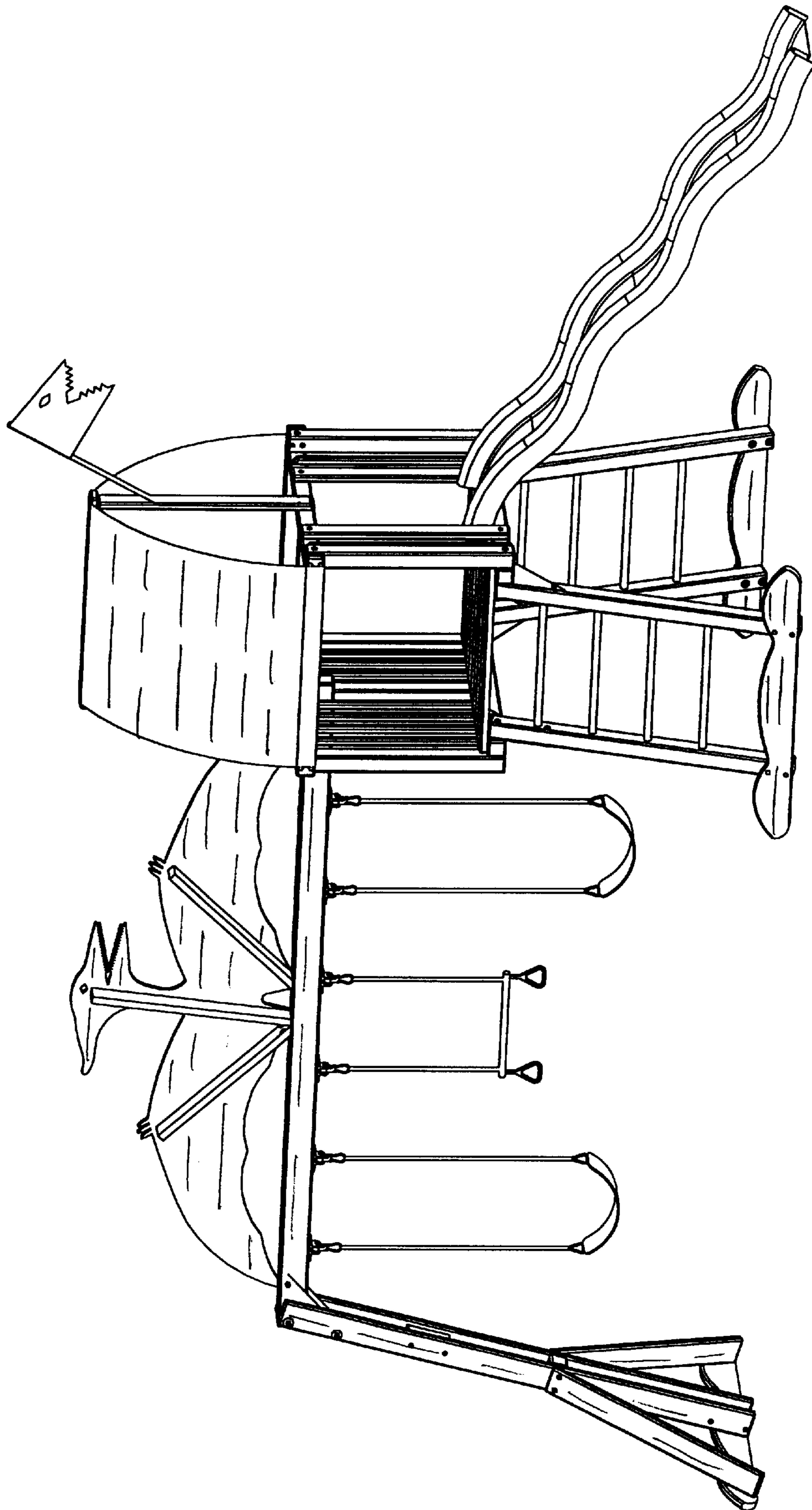


FIG. 3

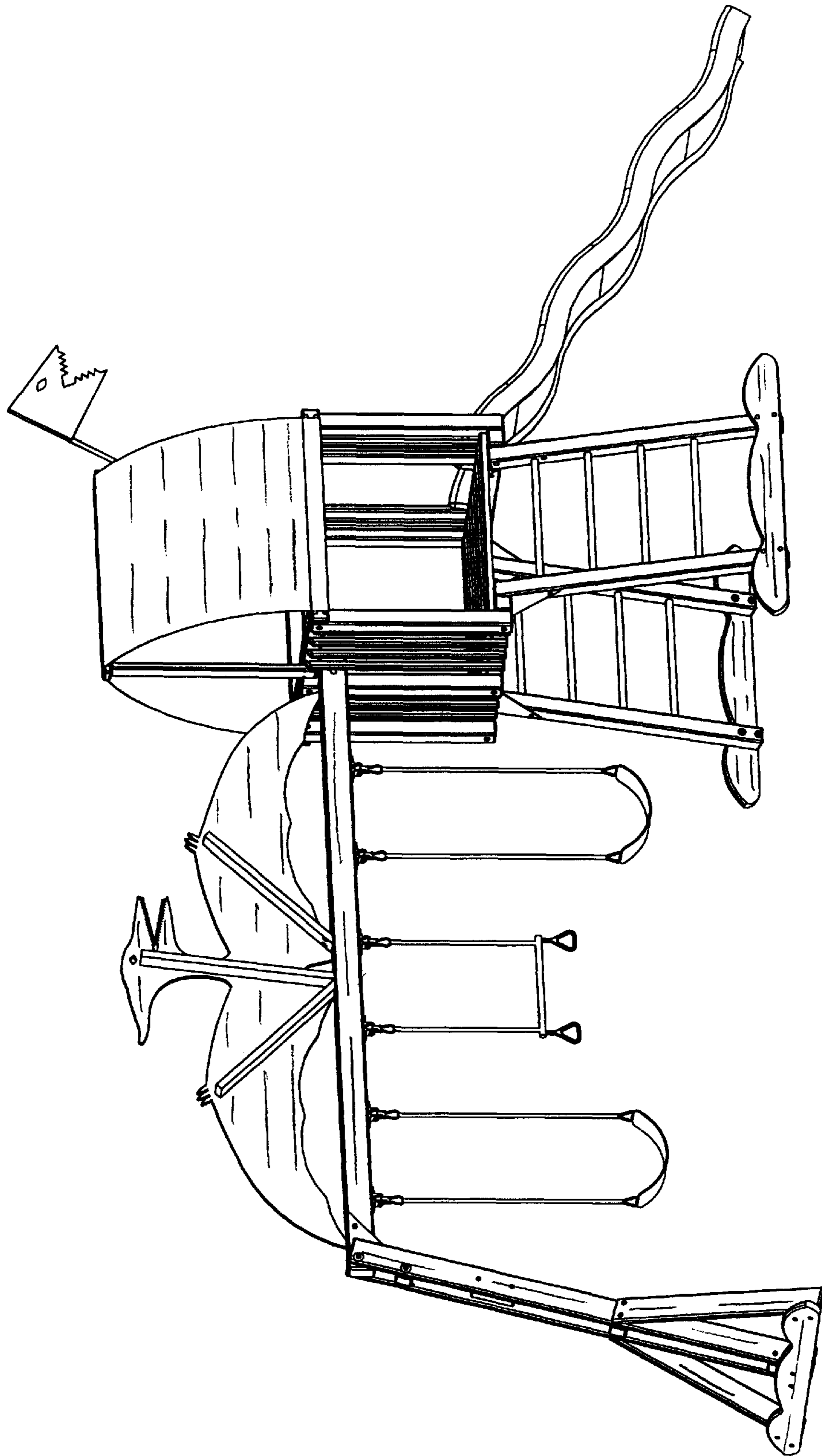


FIG. 4

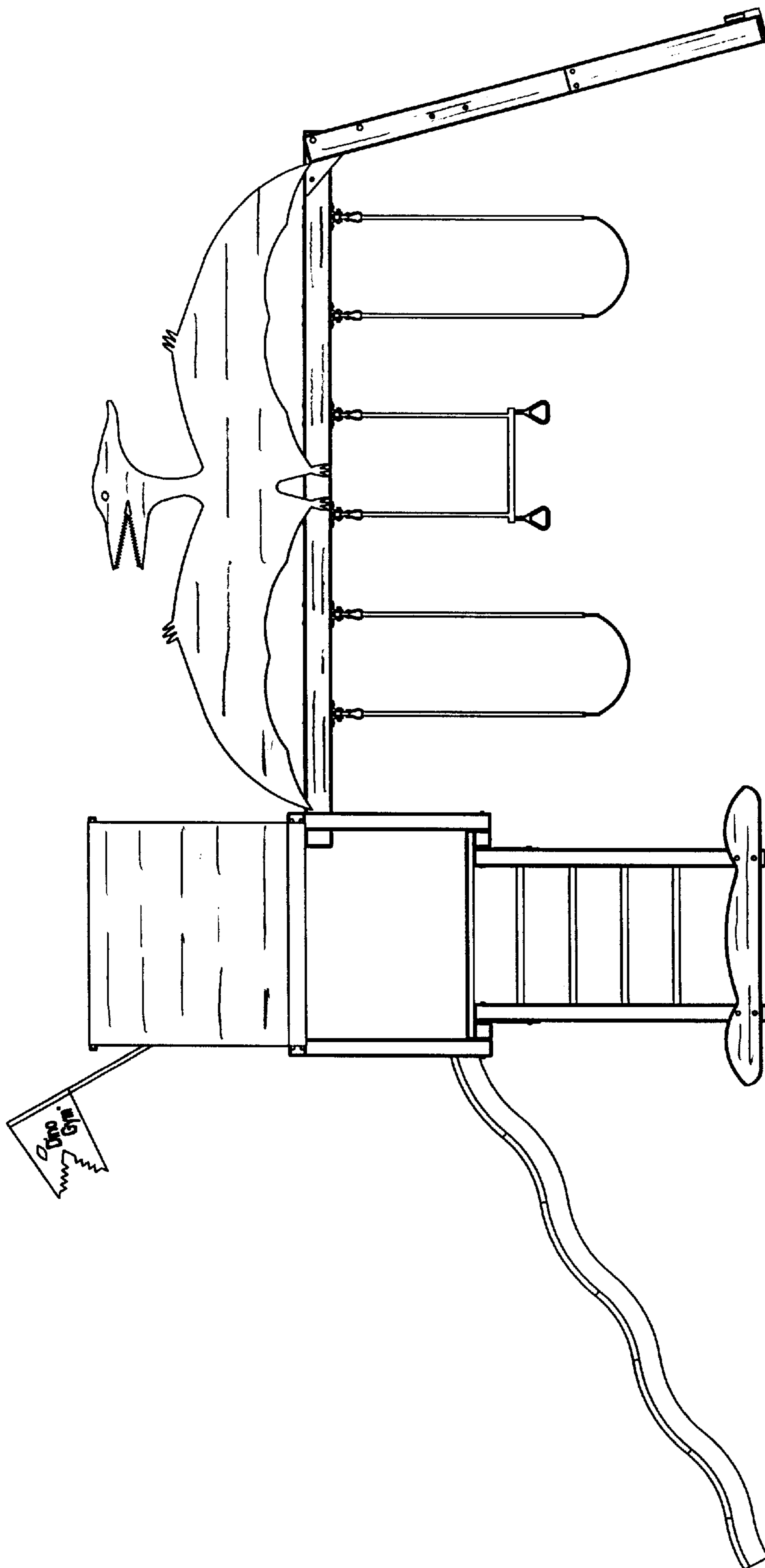


FIG. 5

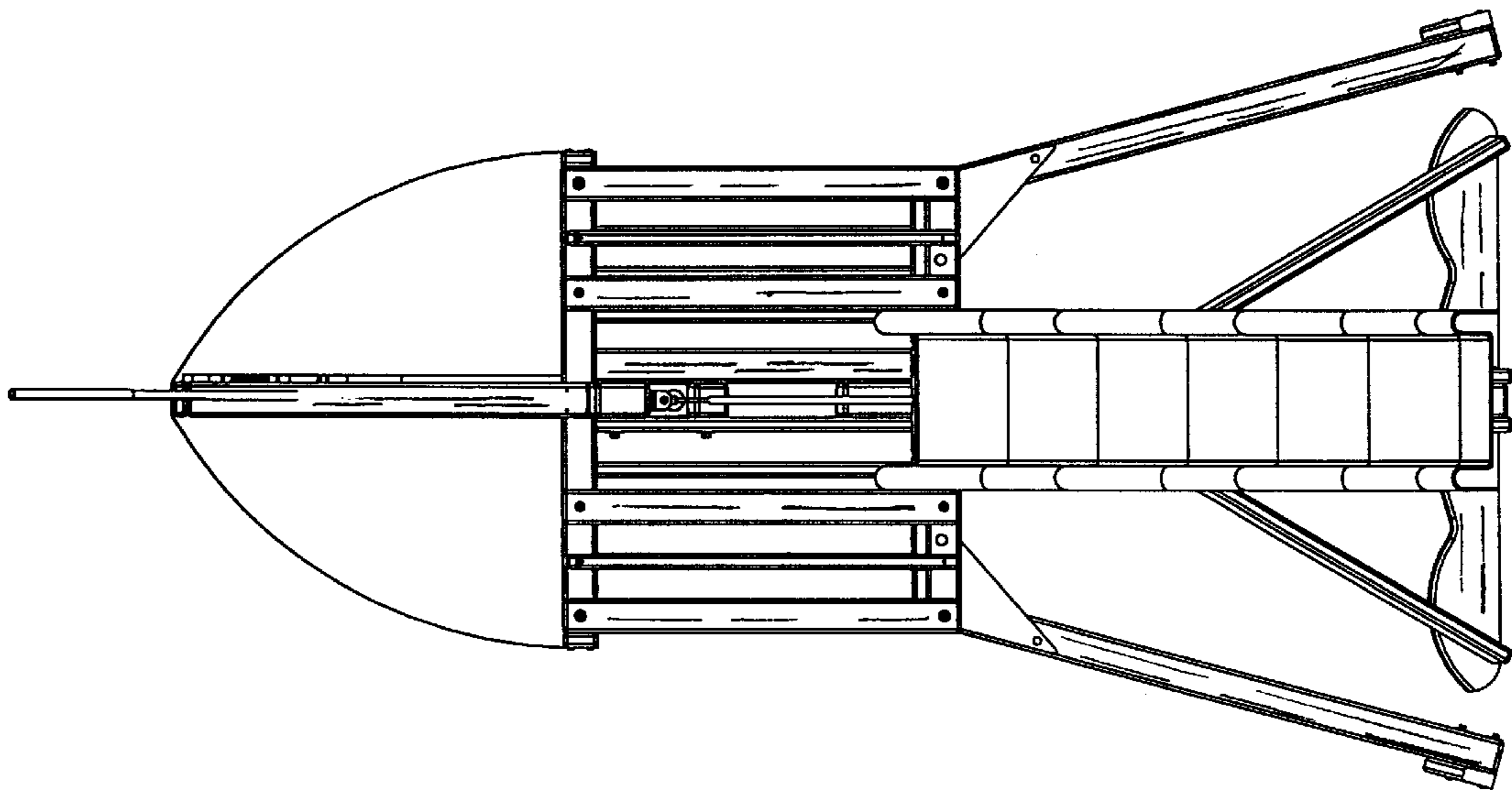


FIG. 6

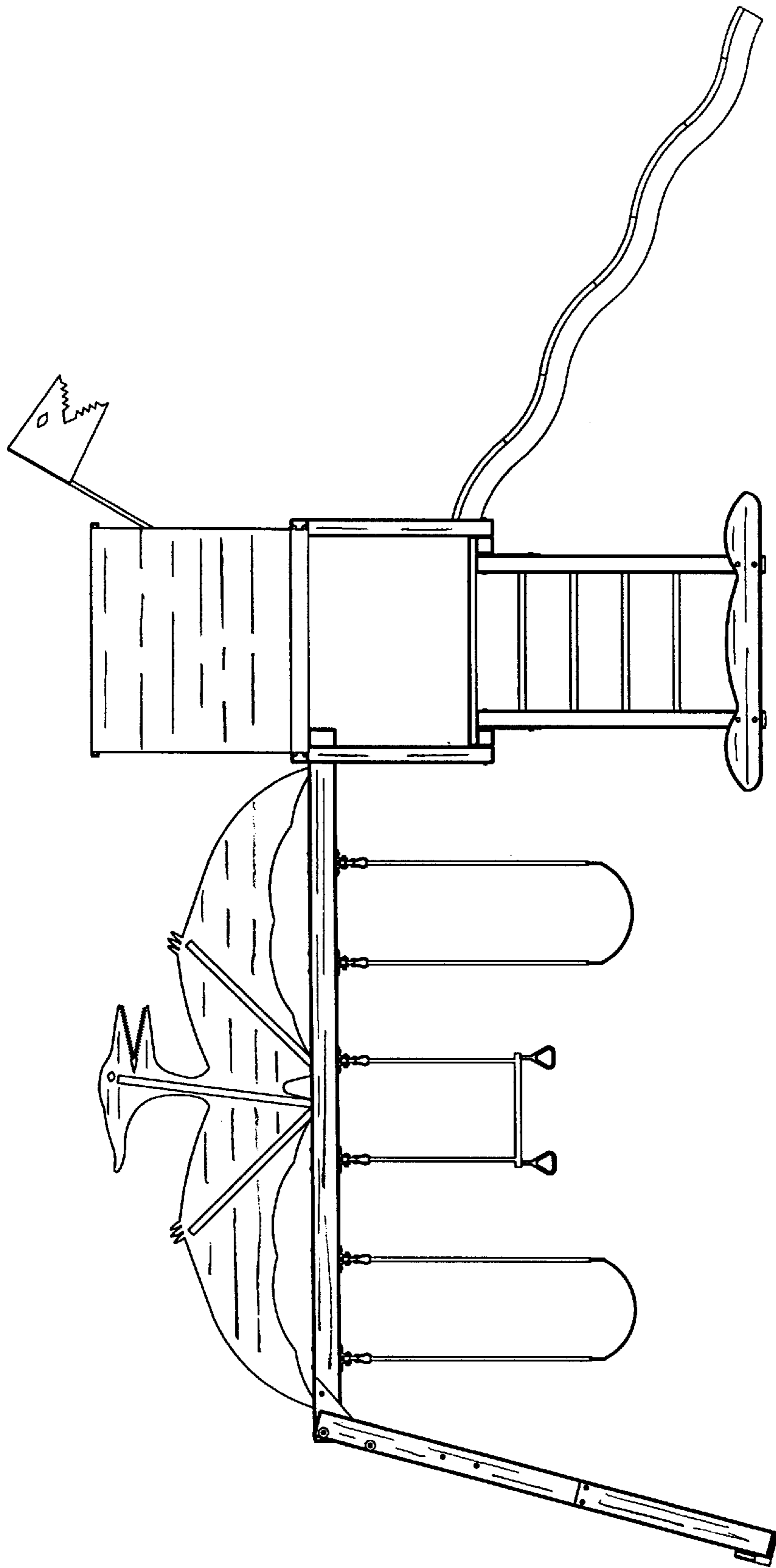


FIG. 7

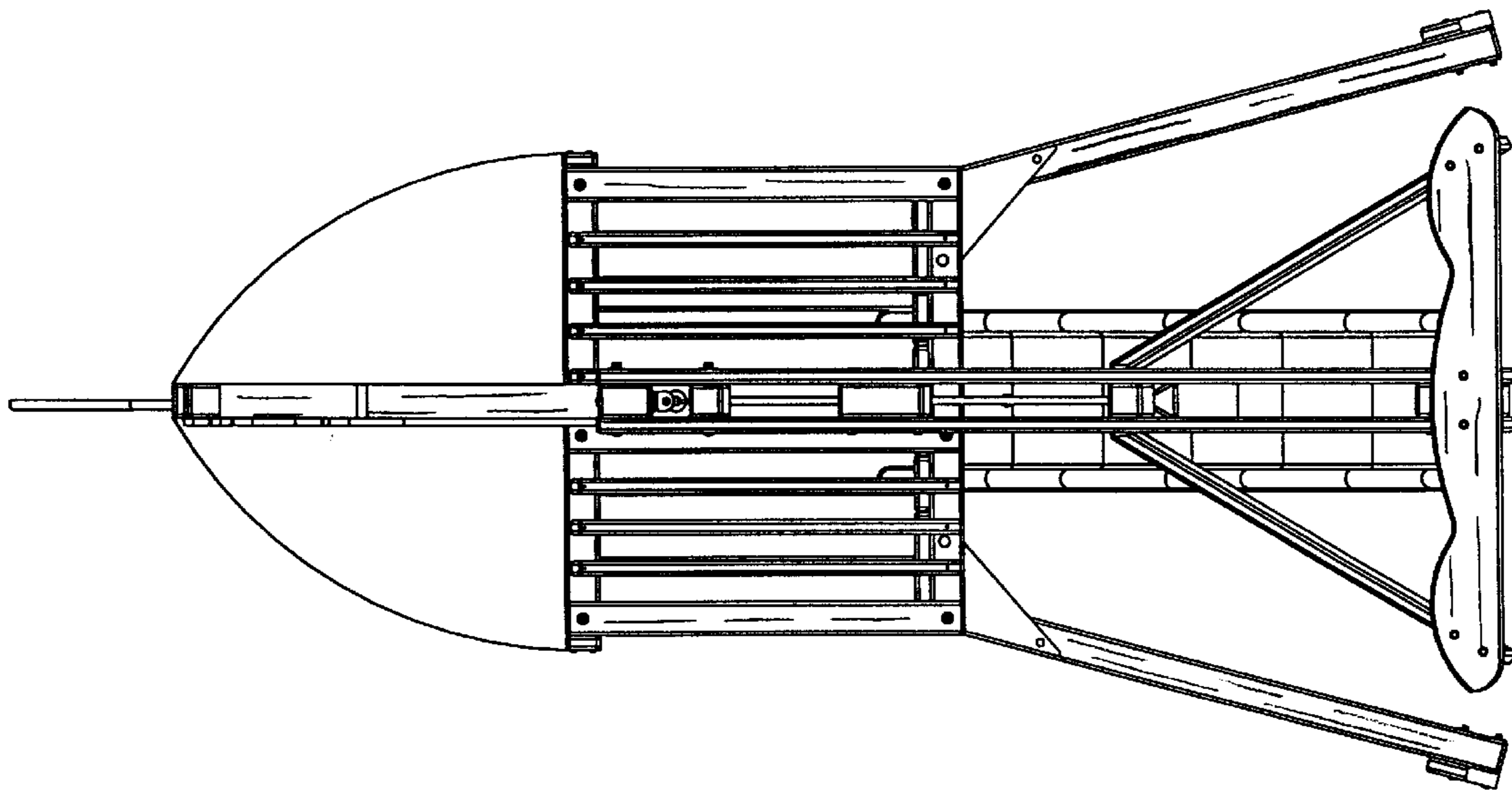


FIG. 8

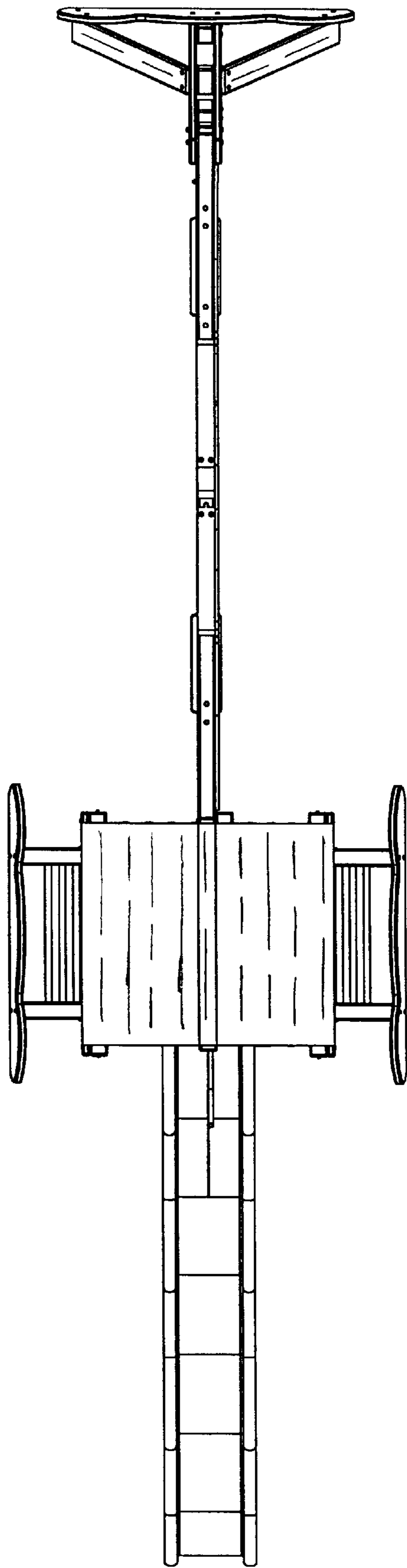


FIG. 9

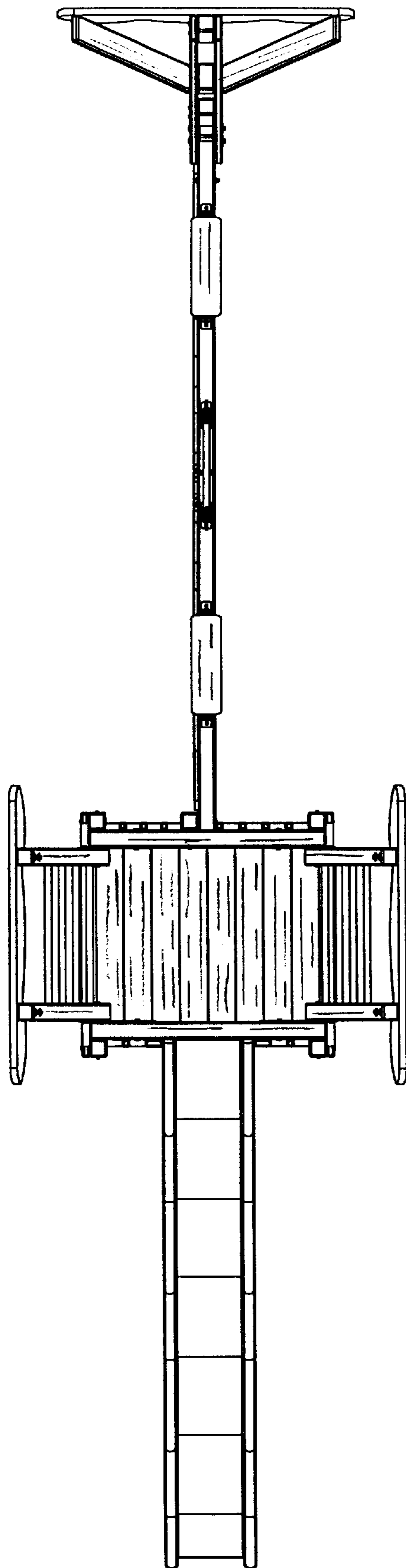


FIG. 10