



US00D435875S

(12) **United States Design Patent**  
**Johnson**

(10) **Patent No.:** **US D435,875 S**

(45) **Date of Patent:** **\*\* Jan. 2, 2001**

(54) **MOTORCYCLE SIMULATOR**

*Primary Examiner*—Raphael Barkai

(76) **Inventor:** **Patrick K Johnson**, 302 Greenvalley Rd., Starr, SC (US) 29684

(57) **CLAIM**

(\*\*) **Term:** **14 Years**

The ornamental design for a motorcycle simulator, as shown and described.

(21) **Appl. No.:** **29/124,274**

**DESCRIPTION**

(22) **Filed:** **Jun. 2, 2000**

The nature and intended use of the article being an ornamental design for train novice and entertain advanced motorcycle riders.

(51) **LOC (7) Cl.** ..... **21-01**

(52) **U.S. Cl.** ..... **D21/432**

(58) **Field of Search** ..... D21/326, 419-435, D21/538; D12/110; 180/219; 463/1, 31, 63; 273/442; 280/87.01, 87.021

FIG. 1 is a front elevational view of the motorcycle simulator of the present invention;

FIG. 2 is a rear elevational view of the motorcycle simulator of FIG. 1;

(56) **References Cited**

**U.S. PATENT DOCUMENTS**

D. 195,029	*	4/1963	Hotkins	.....	D21/326
D. 195,680	*	7/1963	Braun	.....	D21/326
D. 227,491	*	6/1973	Lovejoy	.....	D21/432
D. 252,650	*	8/1979	Cartabiano	.....	D21/477
D. 269,099	*	5/1983	Goldfarb	.....	D21/538
D. 401,891	*	12/1998	Fujieda	.....	D12/110
D. 403,277	*	12/1998	Kokubu et al.	.....	D12/110

FIG. 3 is a left side elevational view of the motorcycle simulator of FIG. 1;

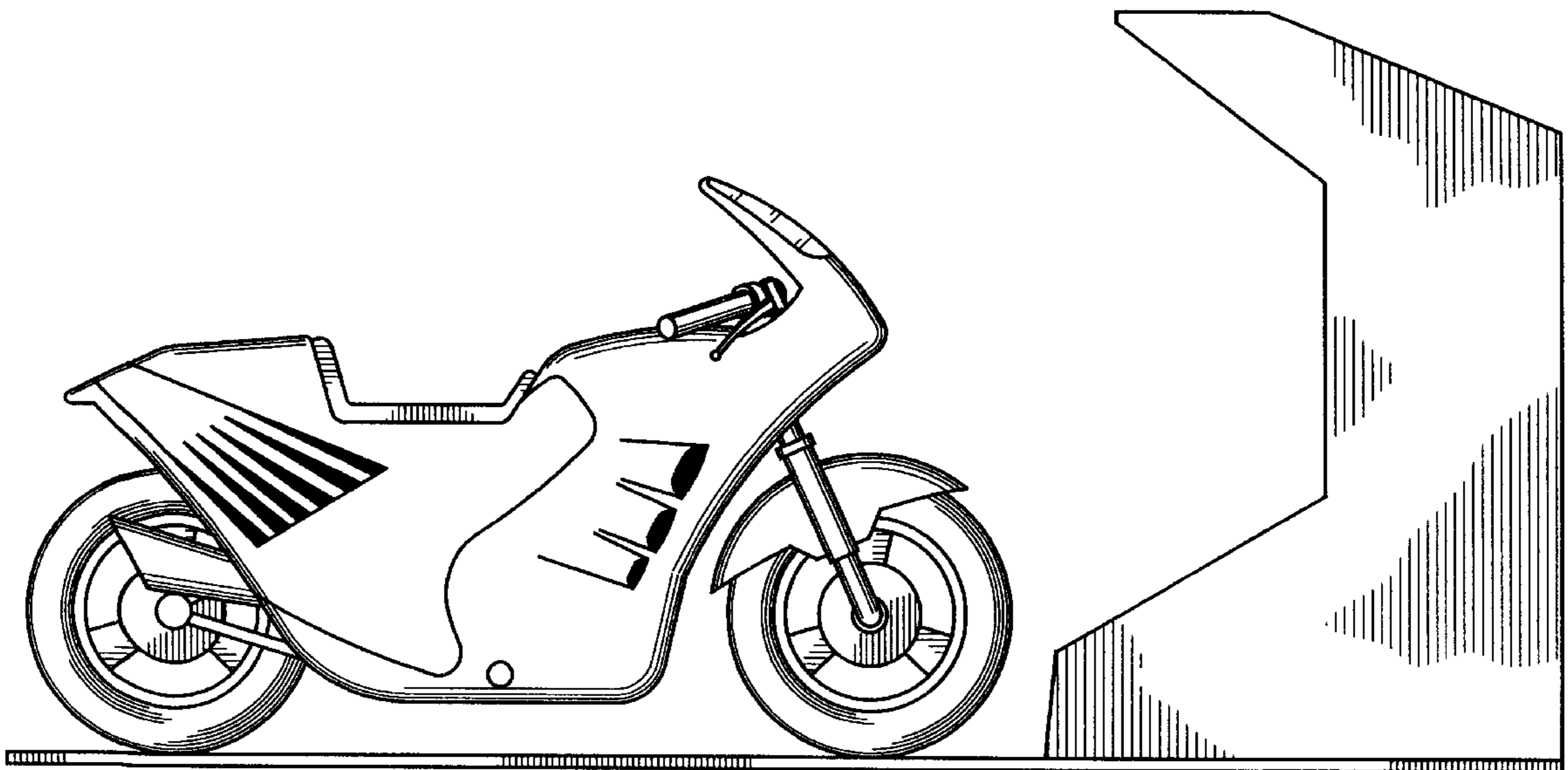
FIG. 4 is a right side elevational view of the motorcycle simulator of FIG. 1;

FIG. 5 is a top plan view of the motorcycle simulator of FIG. 1; and,

FIG. 6 is a bottom plan view of the motorcycle simulator of FIG. 1.

\* cited by examiner

**1 Claim, 5 Drawing Sheets**



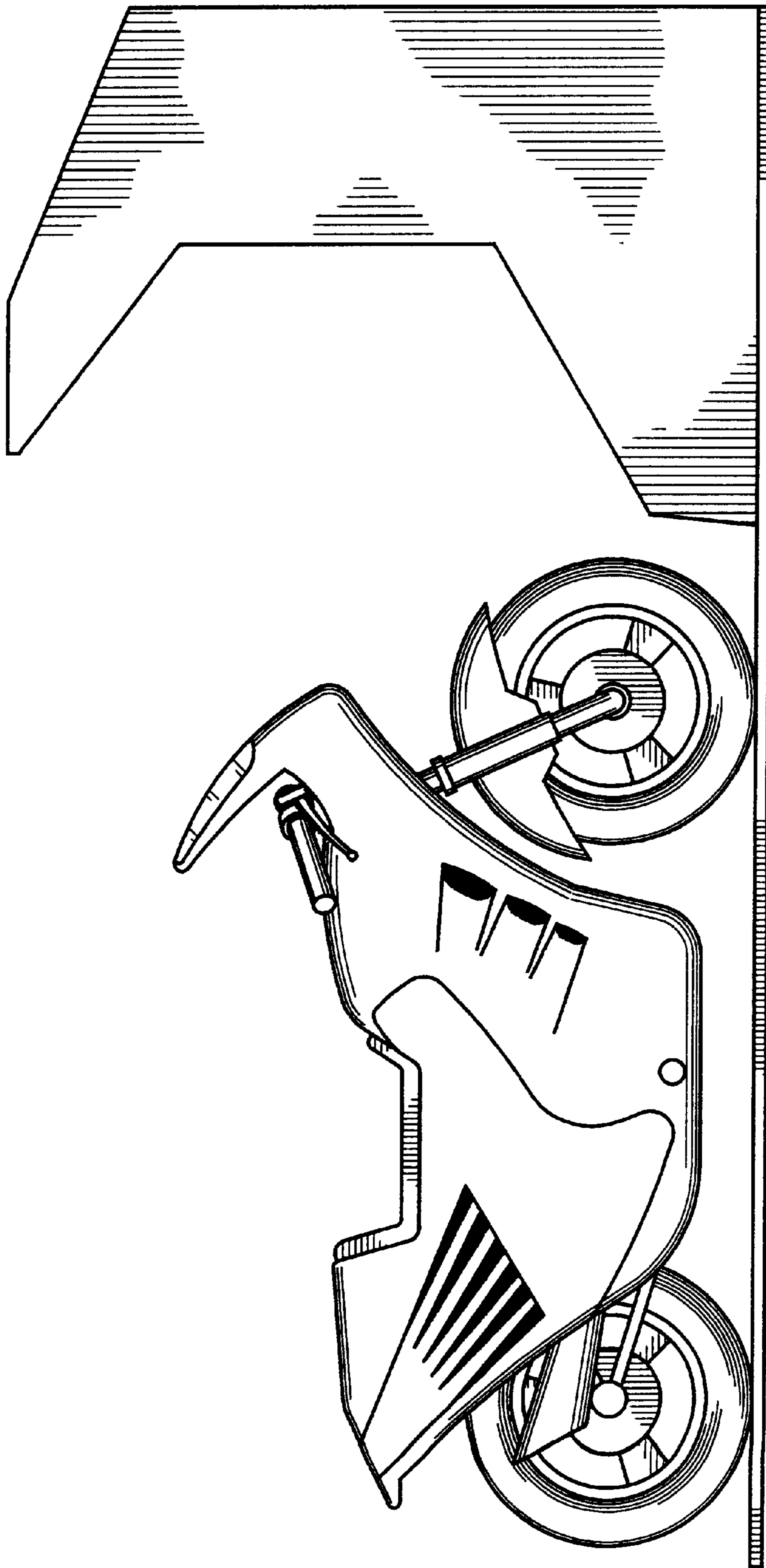


FIG. 1

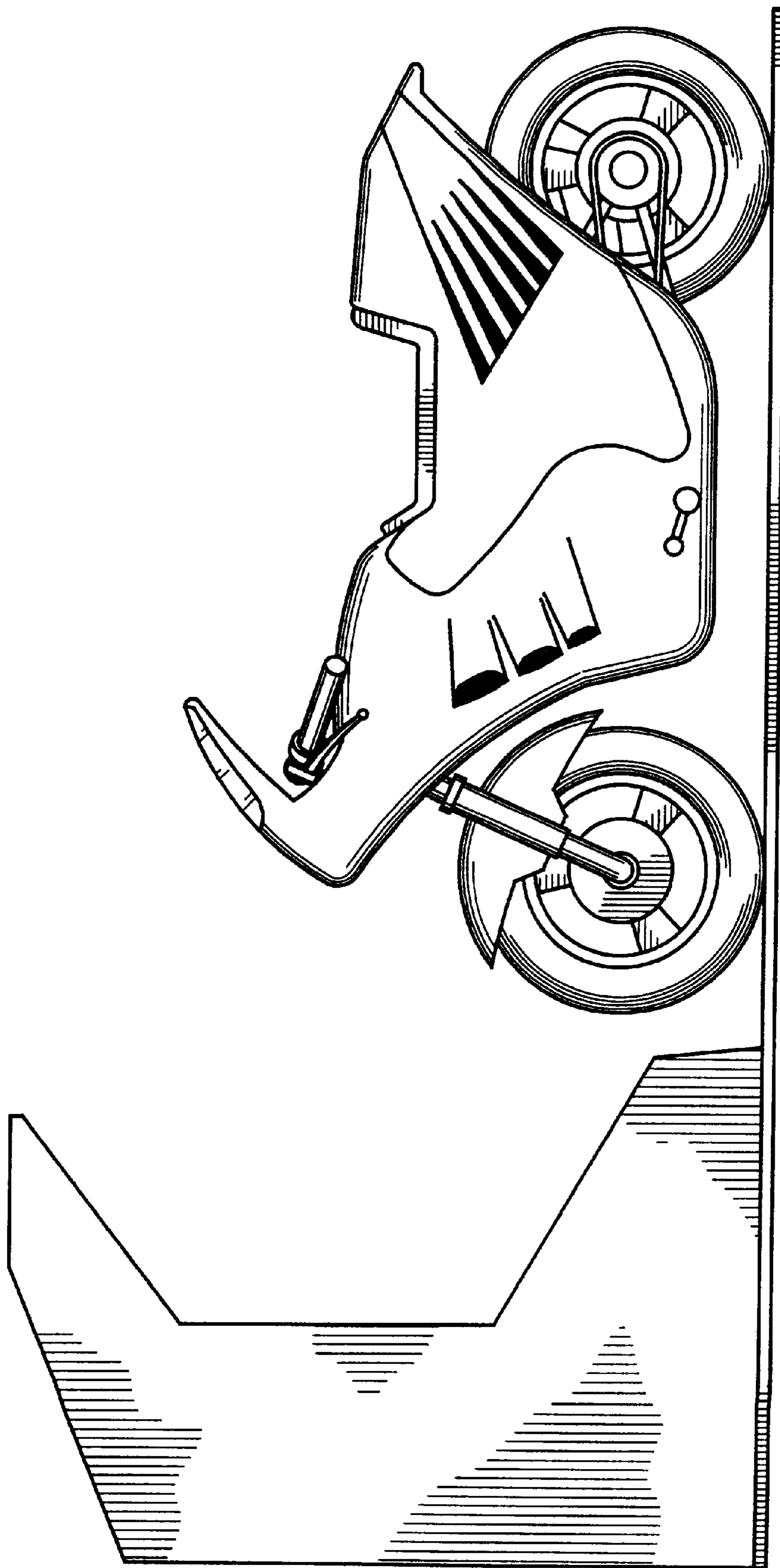


FIG. 2

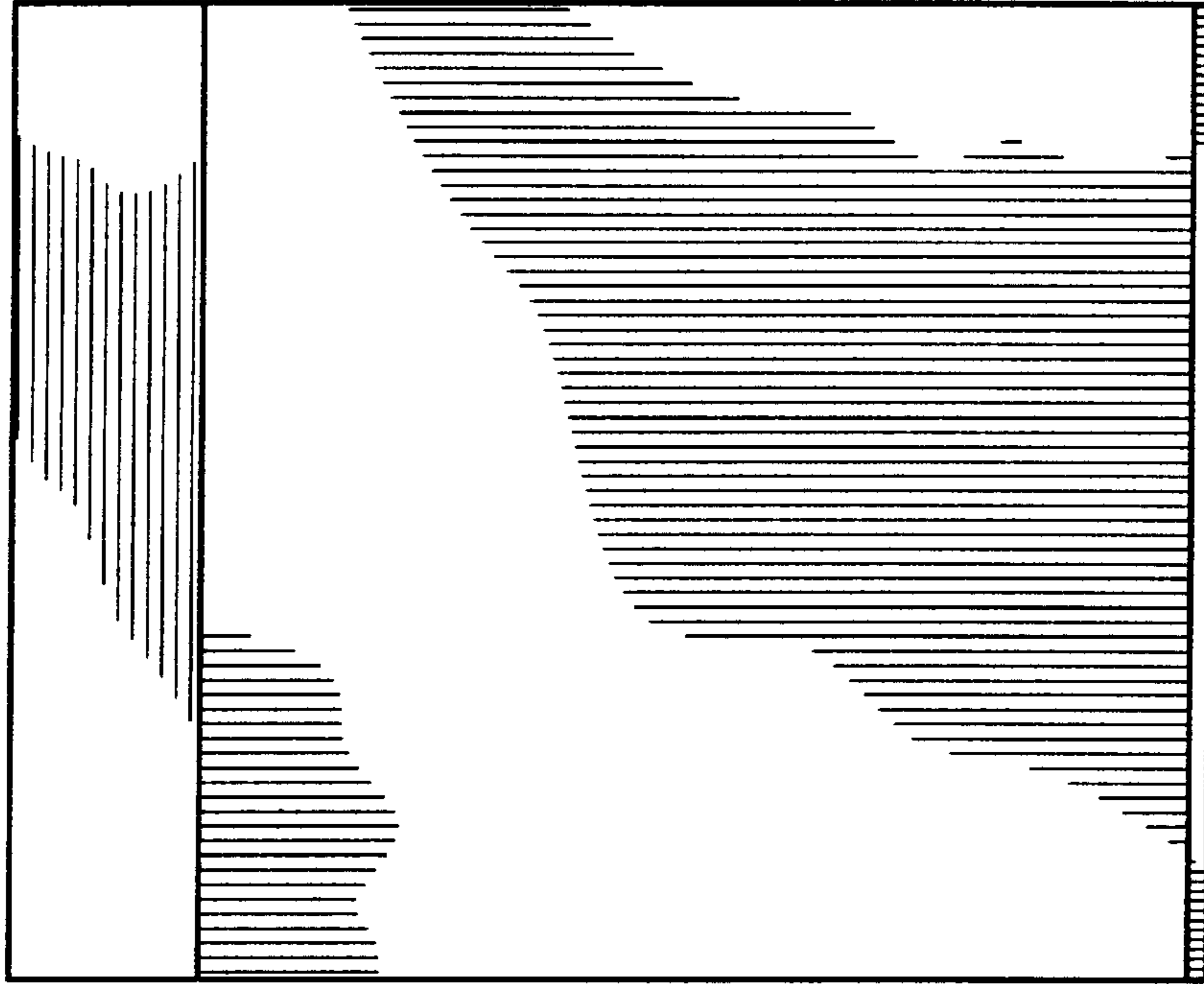


FIG. 3

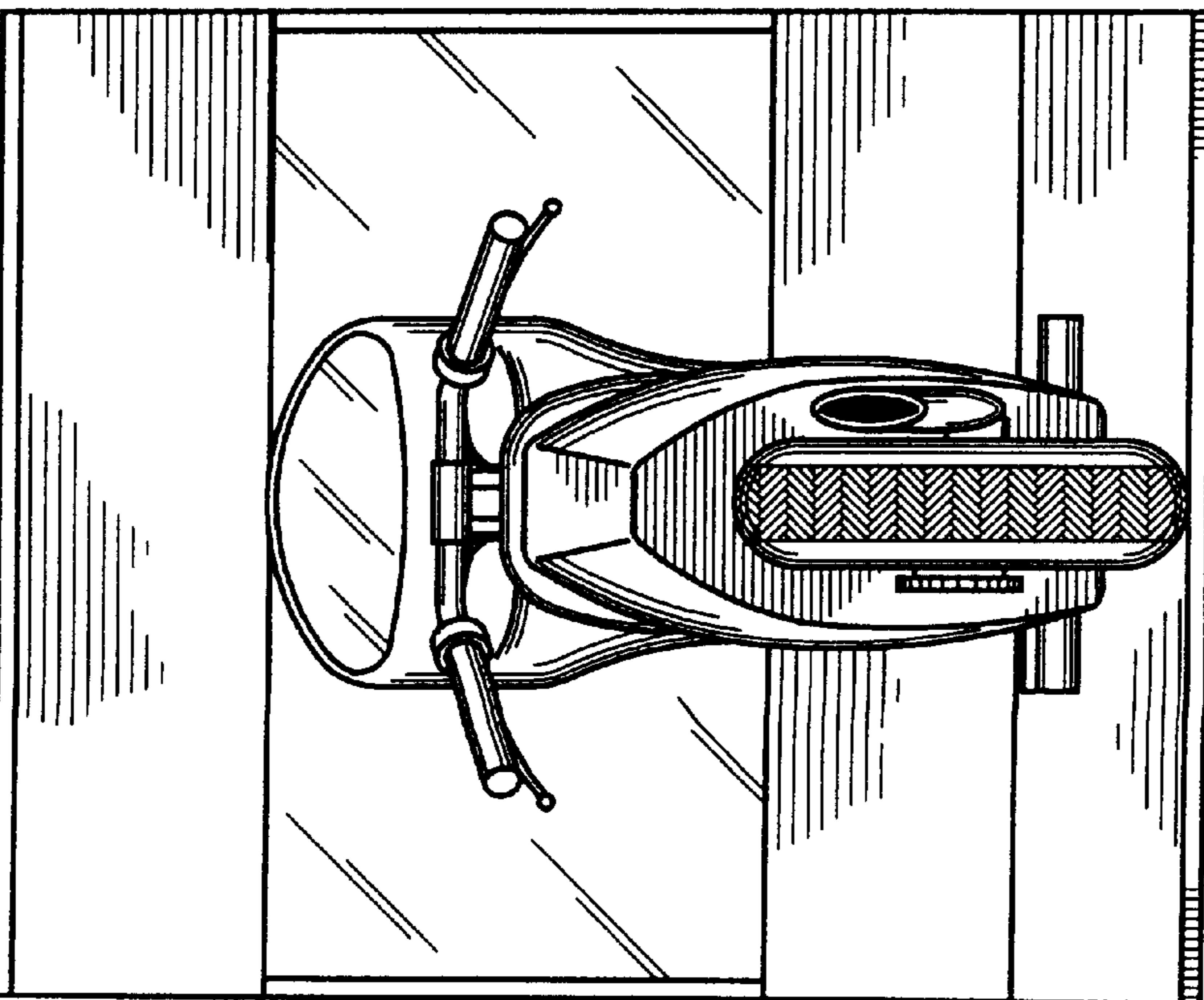


FIG. 4

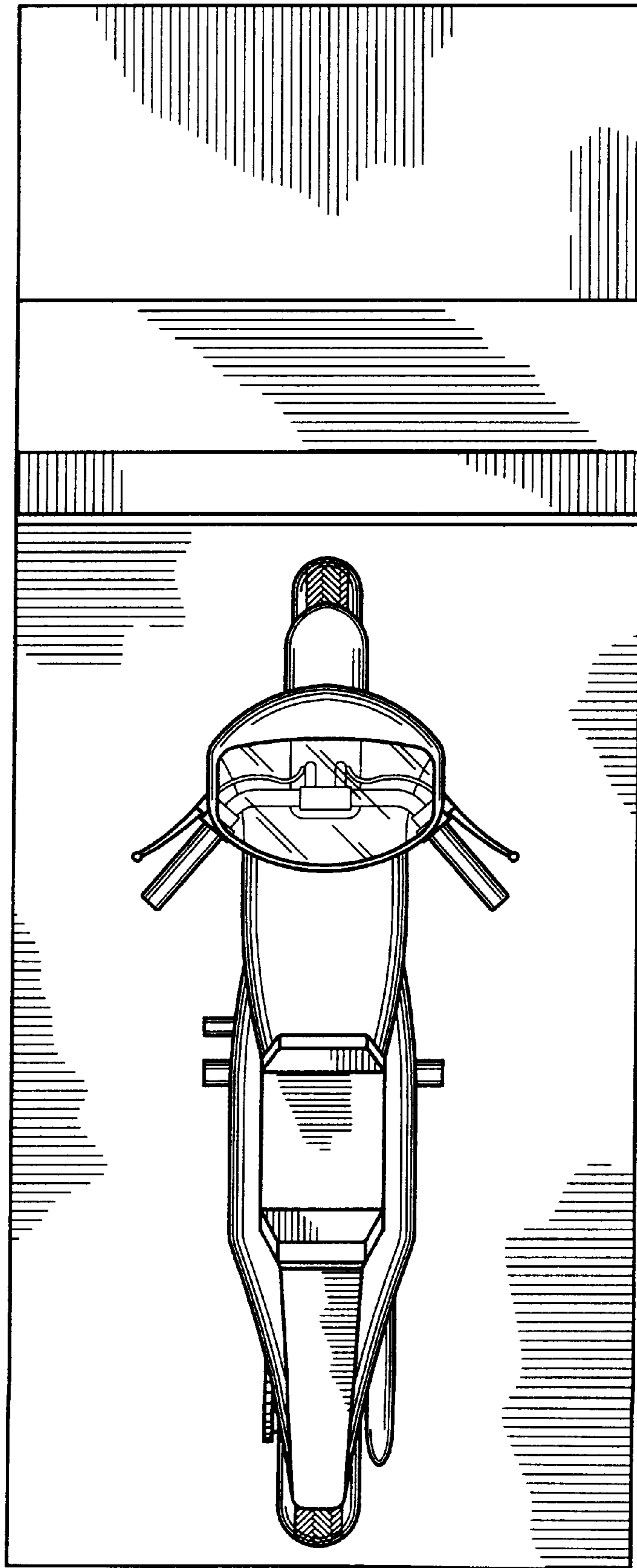


FIG. 5

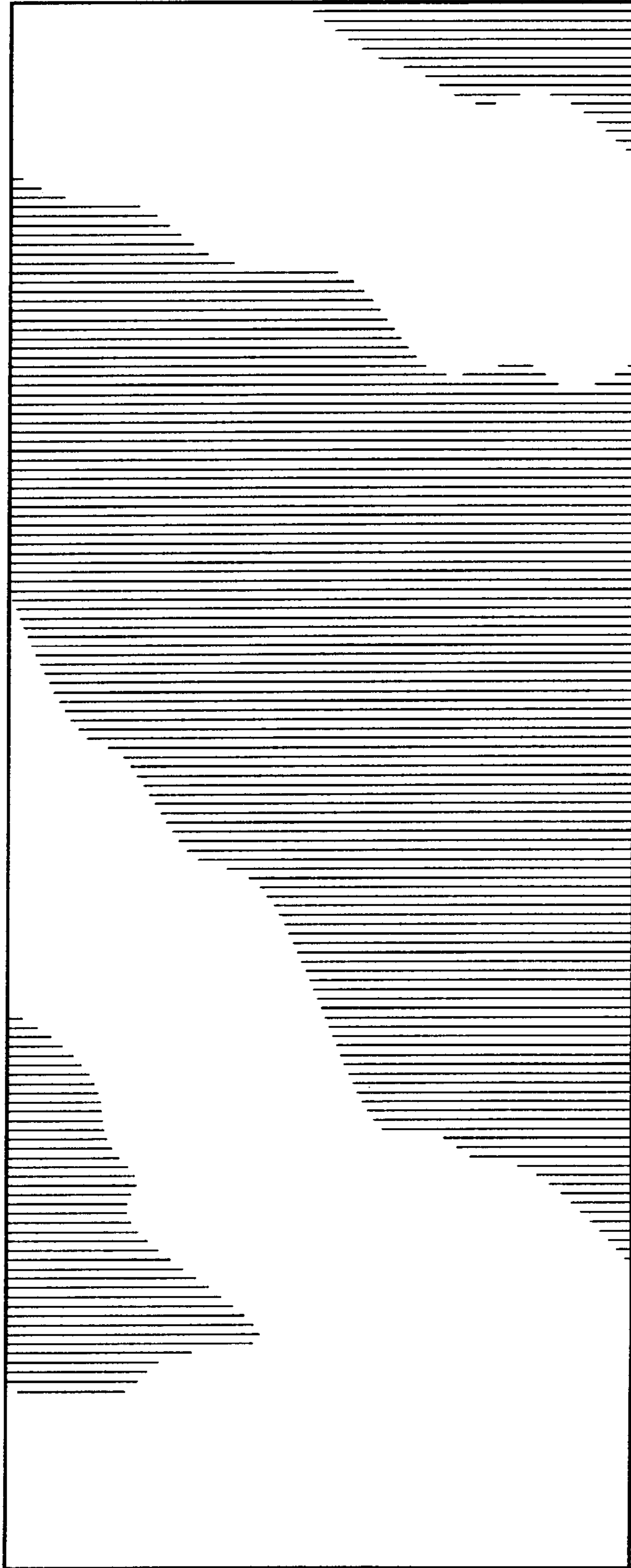


FIG. 6