



US00D435874S

(12) **United States Design Patent**
Cheng

(10) **Patent No.:** **US D435,874 S**

(45) **Date of Patent:** **** Jan. 2, 2001**

(54) **SKATEMOBILE**

(75) **Inventor:** **Dar-Hsiang Cheng, Tainan (TW)**

(73) **Assignee:** **He Cheng Fa Enterprise Co., Ltd.,
Yung-Kang (TW)**

(**) **Term:** **14 Years**

(21) **Appl. No.:** **29/124,628**

(22) **Filed:** **Jun. 9, 2000**

(51) **LOC (7) Cl.** **21-01**

(52) **U.S. Cl.** **D21/423**

(58) **Field of Search** D21/419, 421,
D21/423, 424, 426, 435, 533, 760, 765,
771; D12/107, 110, 111, 112; 280/87.01,
87.021, 87.041, 87.042; 180/181, 216

(56) **References Cited**

U.S. PATENT DOCUMENTS

- D. 293,340 * 12/1987 Heilig D21/423
- D. 352,921 * 11/1994 Pepe D12/110

- 1,274,889 * 8/1918 Johnson 280/87.042
- 1,416,864 * 5/1922 Parkes 280/87.041
- 4,799,701 * 1/1989 Lindau 280/87.041
- 5,848,660 * 12/1998 McGreen 280/87.041

* cited by examiner

Primary Examiner—Raphael Barkai

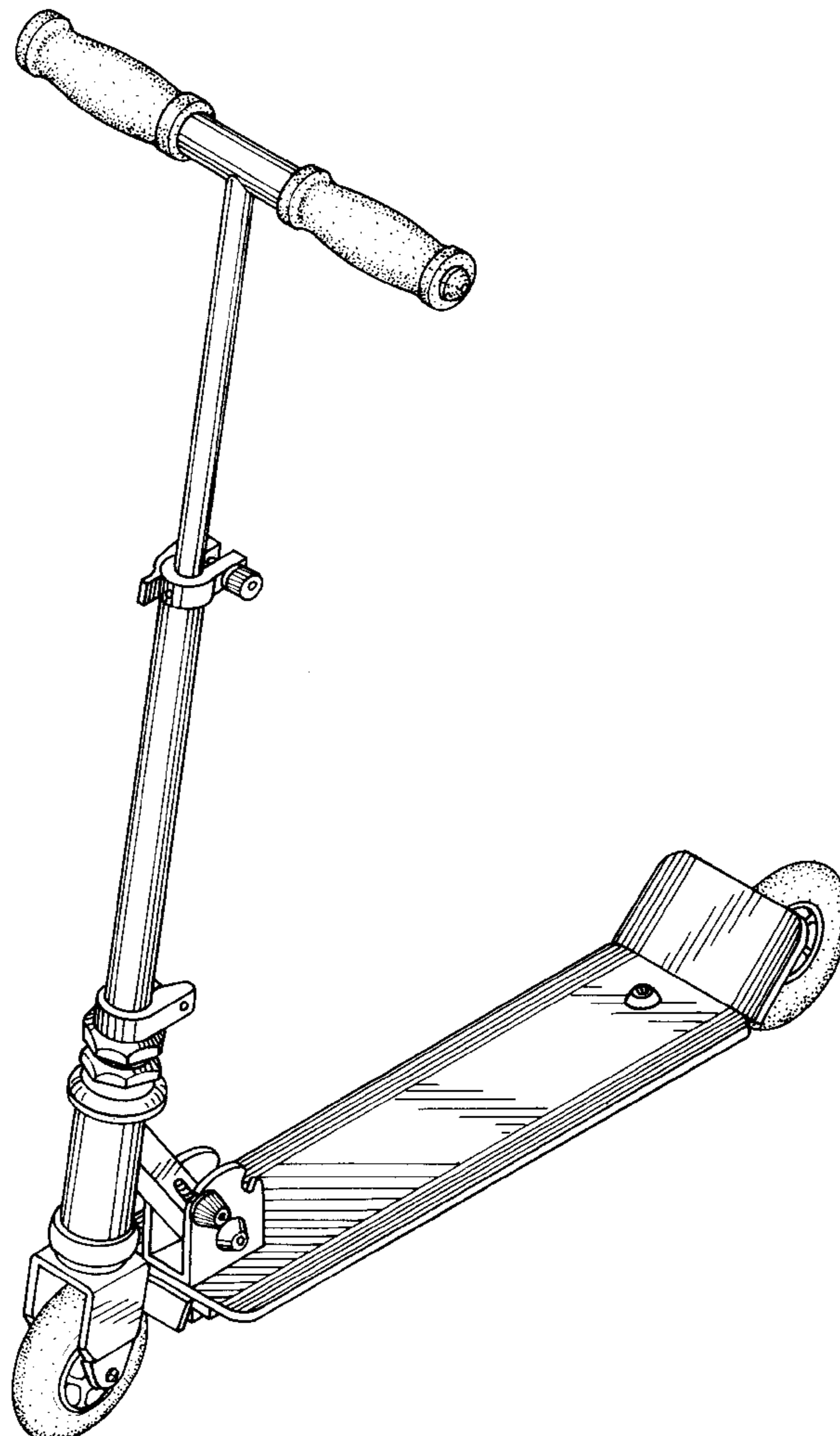
(57) **CLAIM**

The ornamental design for skatemobile, as shown and described.

DESCRIPTION

FIG. 1 is a perspective view of skatemobile showing my design;
 FIG. 2 is a front elevational view thereof;
 FIG. 3 is a rear elevational view thereof;
 FIG. 4 is a left side elevational view thereof;
 FIG. 5 is a right side elevational view thereof;
 FIG. 6 is a top plan view thereof; and,
 FIG. 7 is a bottom plan view thereof.

1 Claim, 5 Drawing Sheets



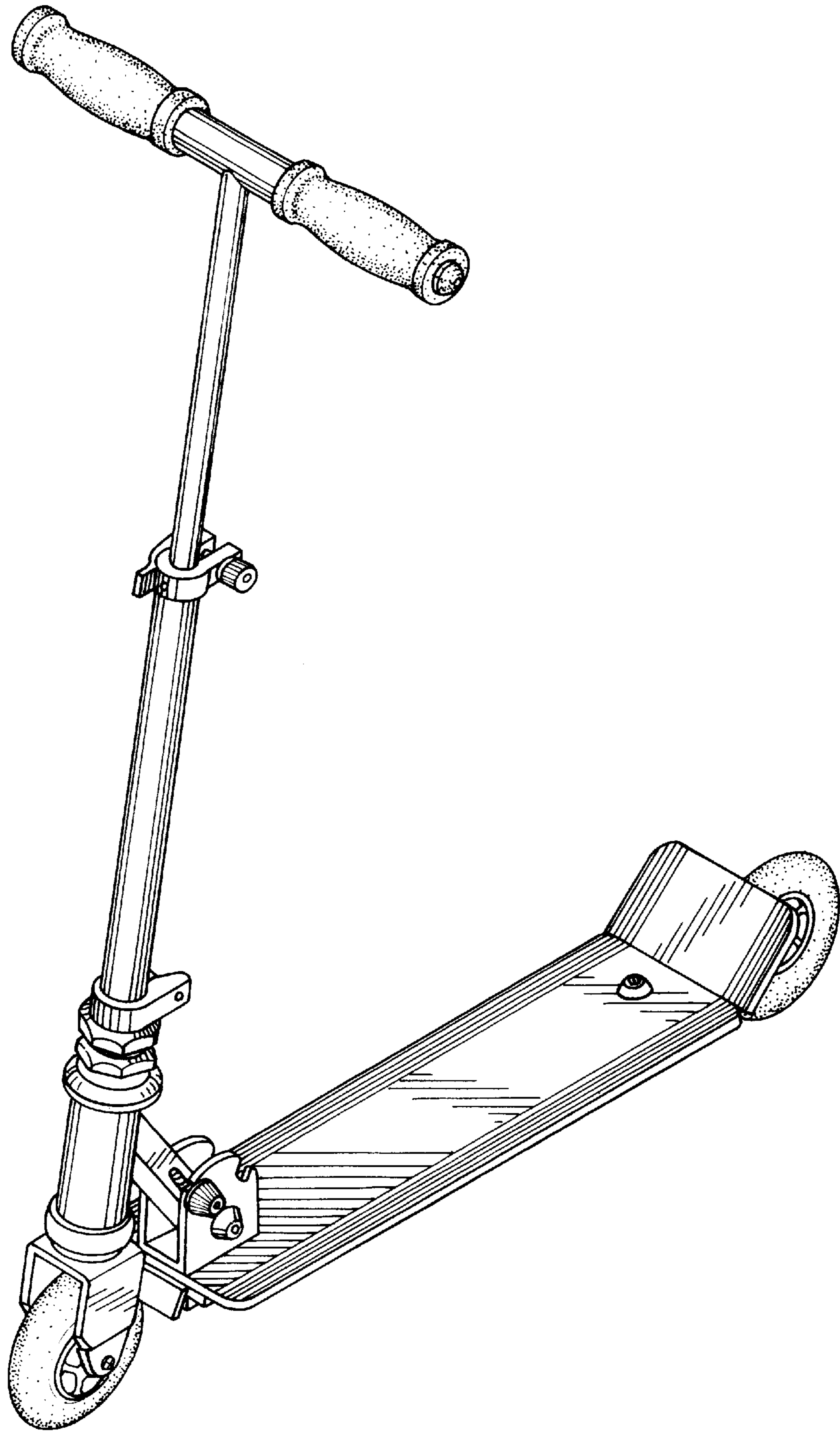


FIG. 1

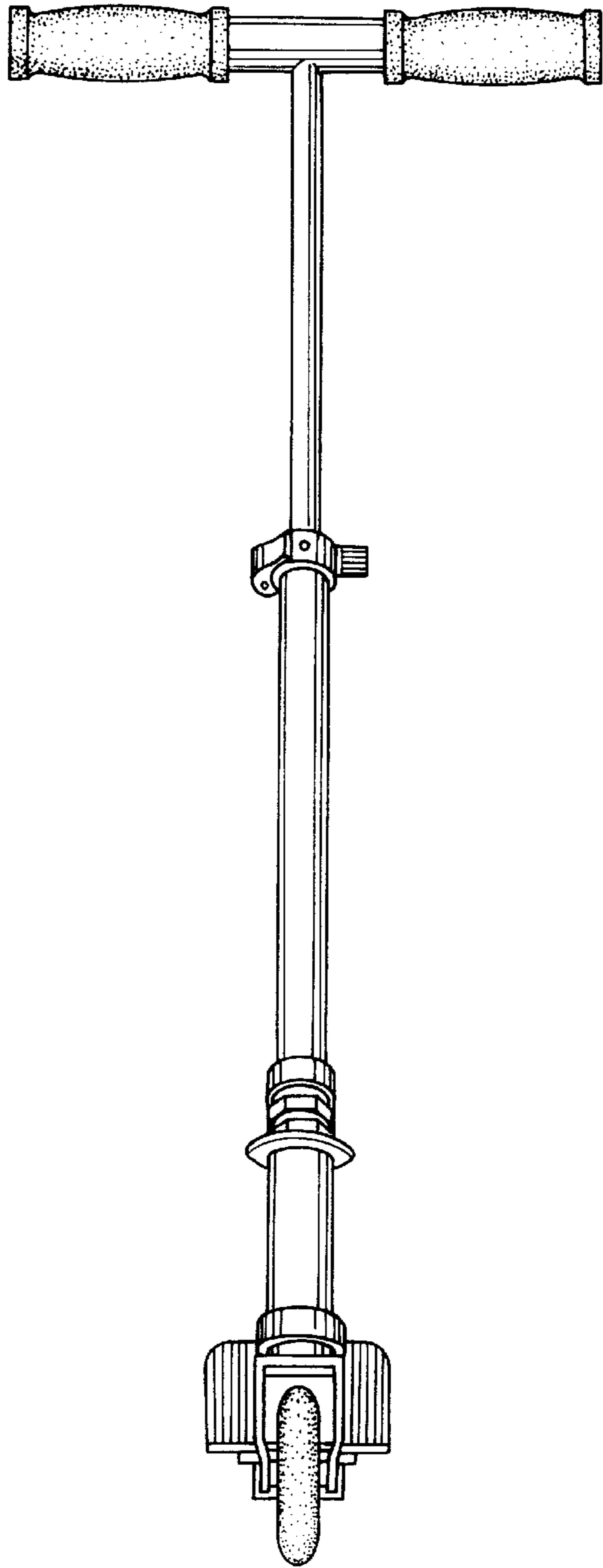


FIG. 2

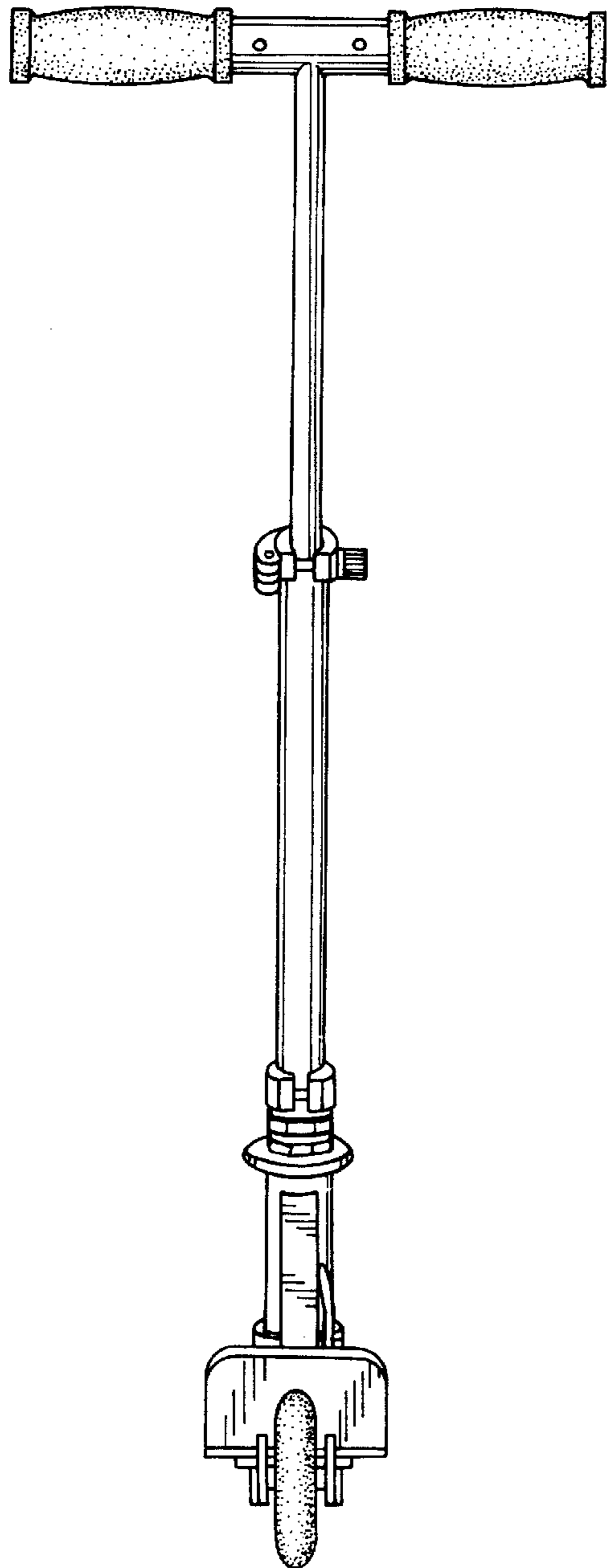


FIG. 3

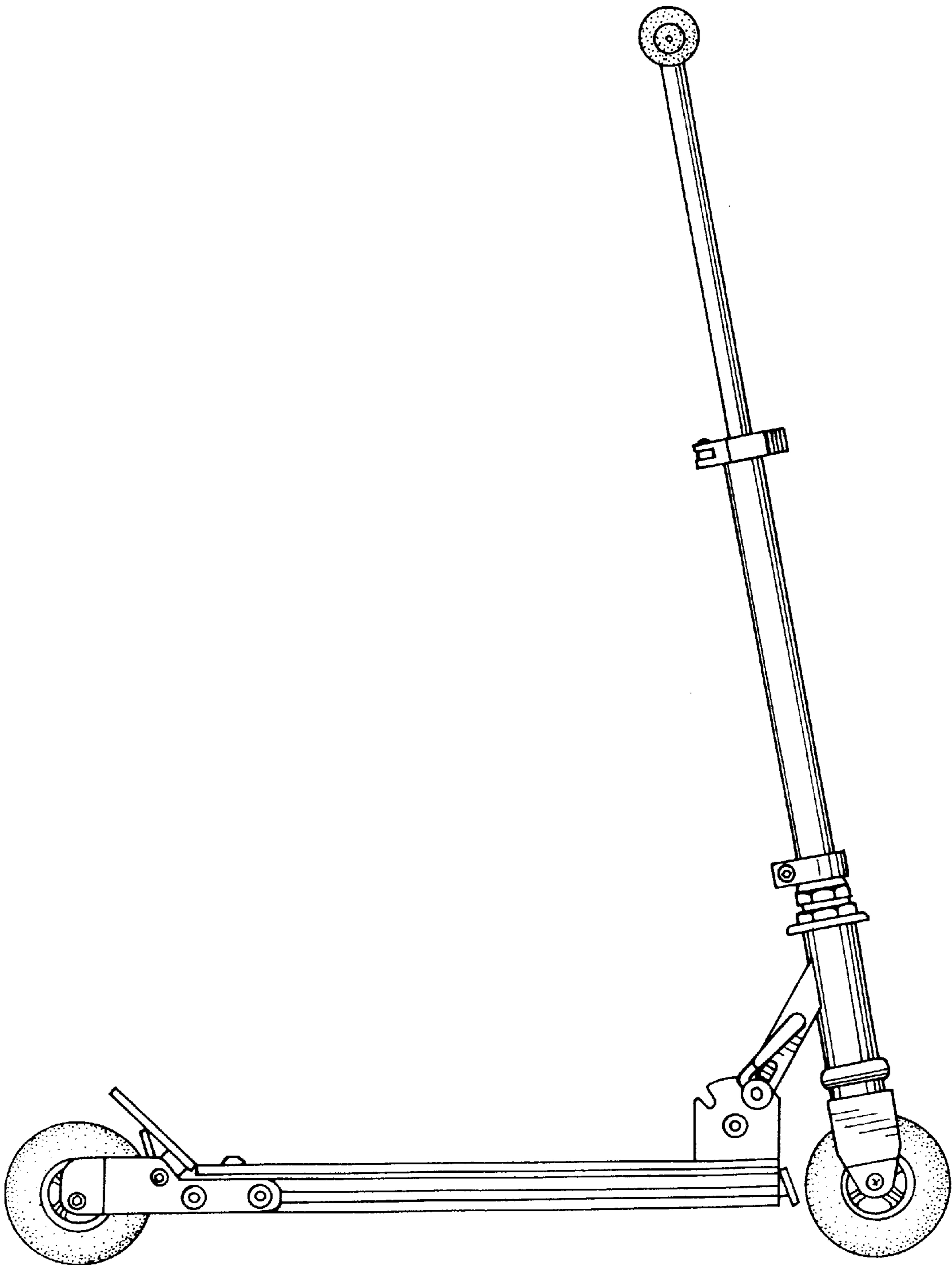


FIG. 4

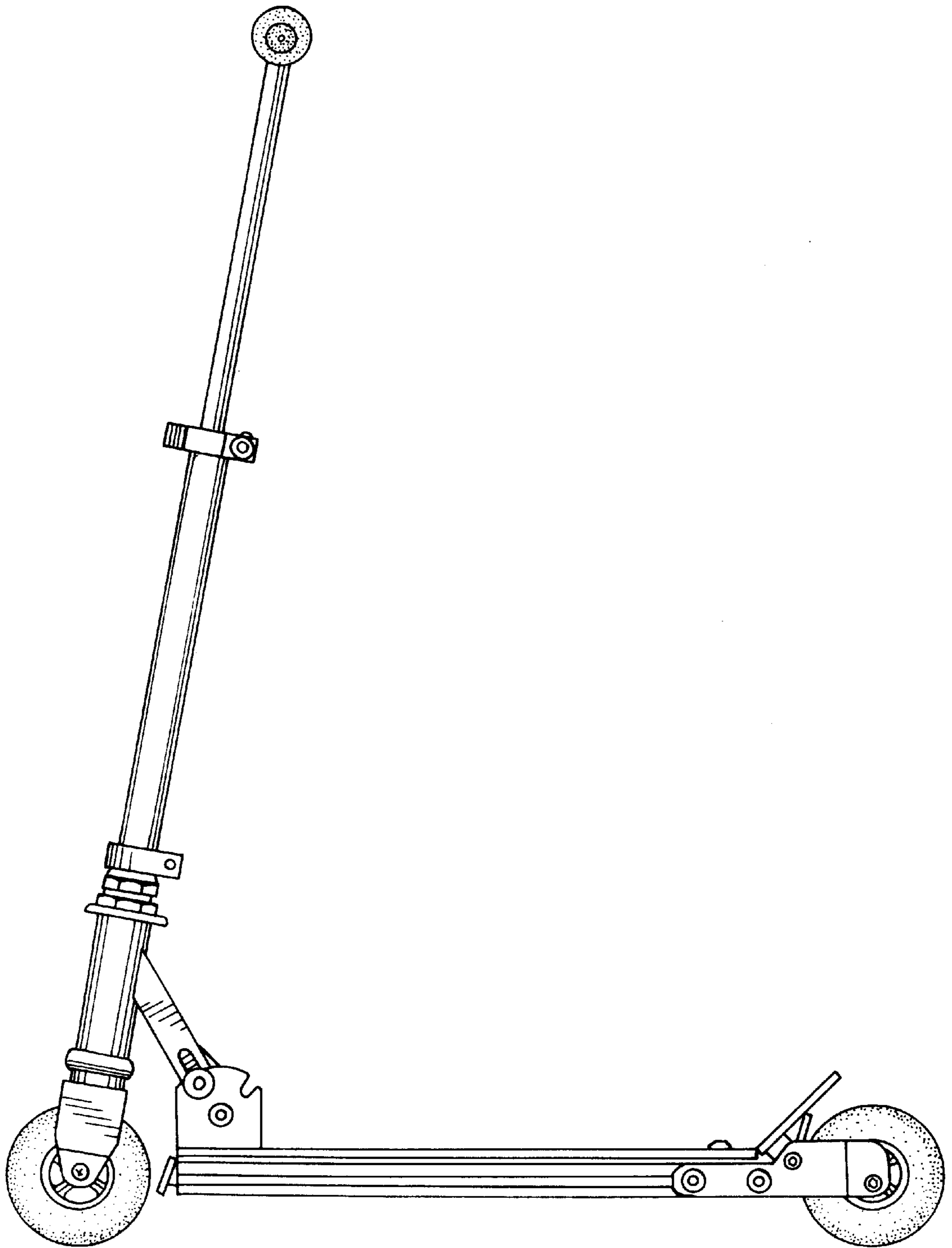


FIG. 5

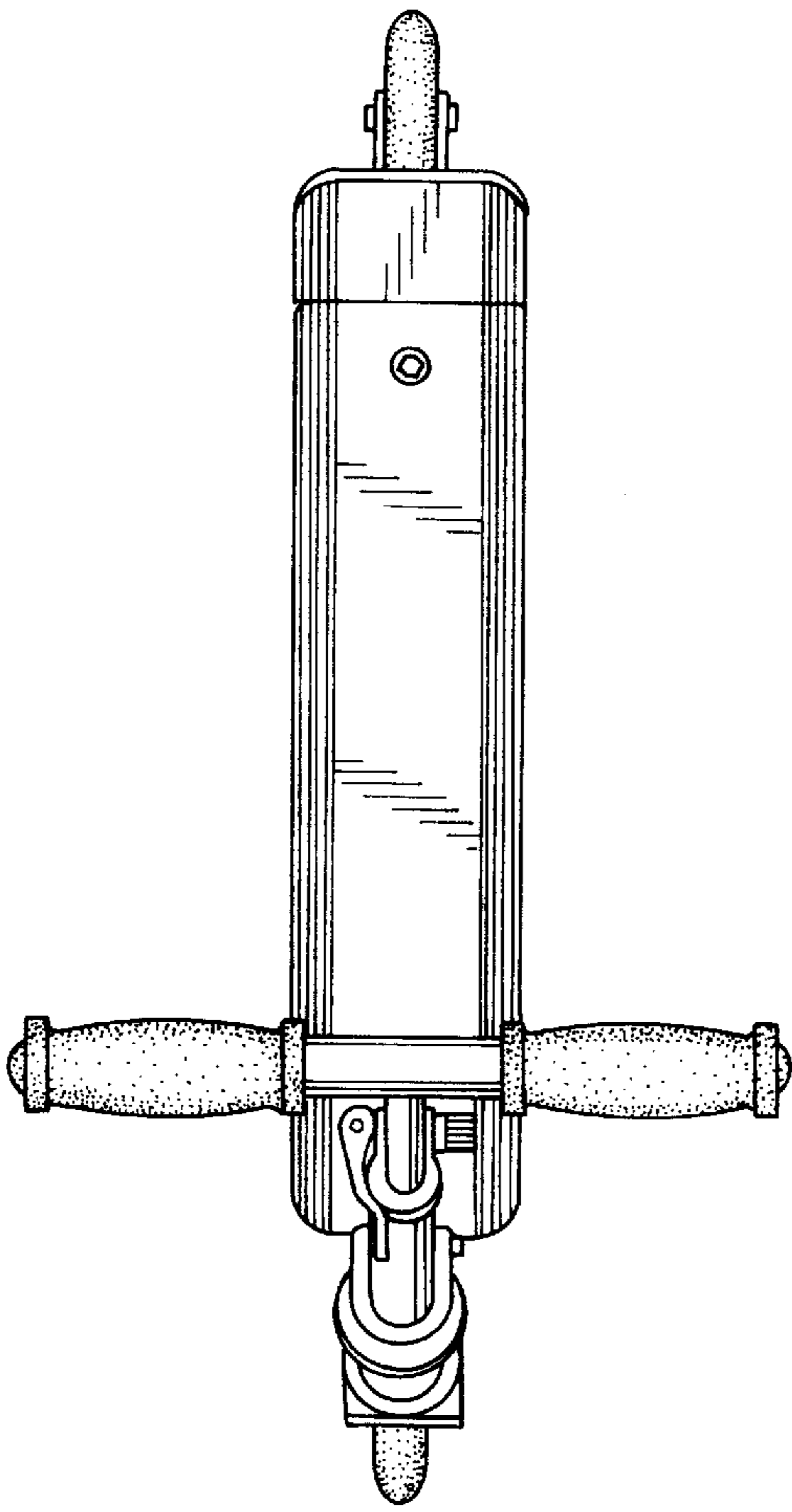


FIG. 6

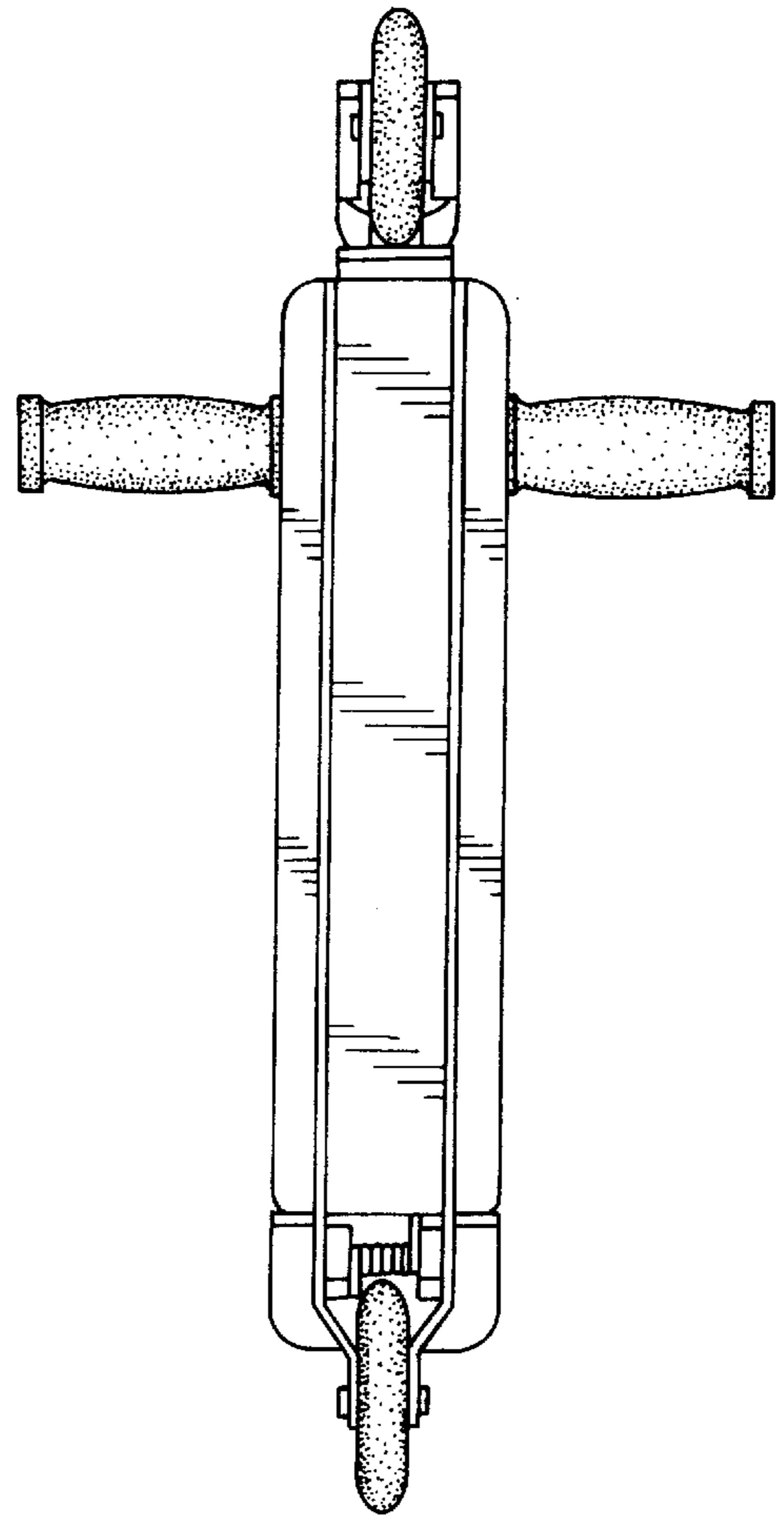


FIG. 7