



US00D435873S

(12) **United States Design Patent**  
**Lee**

(10) **Patent No.:** **US D435,873 S**

(45) **Date of Patent:** **\*\* Jan. 2, 2001**

(54) **SLIDE CART**

4,799,701 \* 1/1989 Lindau ..... 280/87.041  
5,848,660 \* 12/1998 McGreen ..... 280/87.041

(76) Inventor: **Yan-Yee Lee**, 16,Lane 667,Chung  
Shang Road, Sir Nan Village, Sun Kang  
Hsiang, Taichung Hsien (TW)

\* cited by examiner

(\*\*) Term: **14 Years**

*Primary Examiner*—Raphael Barkai  
(74) *Attorney, Agent, or Firm*—Harrison & Egbert

(21) Appl. No.: **29/120,698**

(57) **CLAIM**

(22) Filed: **Mar. 27, 2000**

I claim the ornamental design for a slide cart, as shown and described.

(51) **LOC (7) Cl.** ..... **21-01**

**DESCRIPTION**

(52) **U.S. Cl.** ..... **D21/423**

(58) **Field of Search** ..... D21/419, 421,  
D21/423, 424, 426, 435, 533, 760, 765,  
771; D12/107, 110-112; 280/87.01, 87.021,  
87.041, 87.042; 180/181, 216

FIG. 1 is an upper perspective view of a slide cart showing my design.

FIG. 2 is a front view thereof;

FIG. 3 is a back view thereof;

FIG. 4 is a side view thereof;

FIG. 5 is an opposite side view thereof;

FIG. 6 is a top view thereof;

FIG. 7 is a bottom view thereof; and,

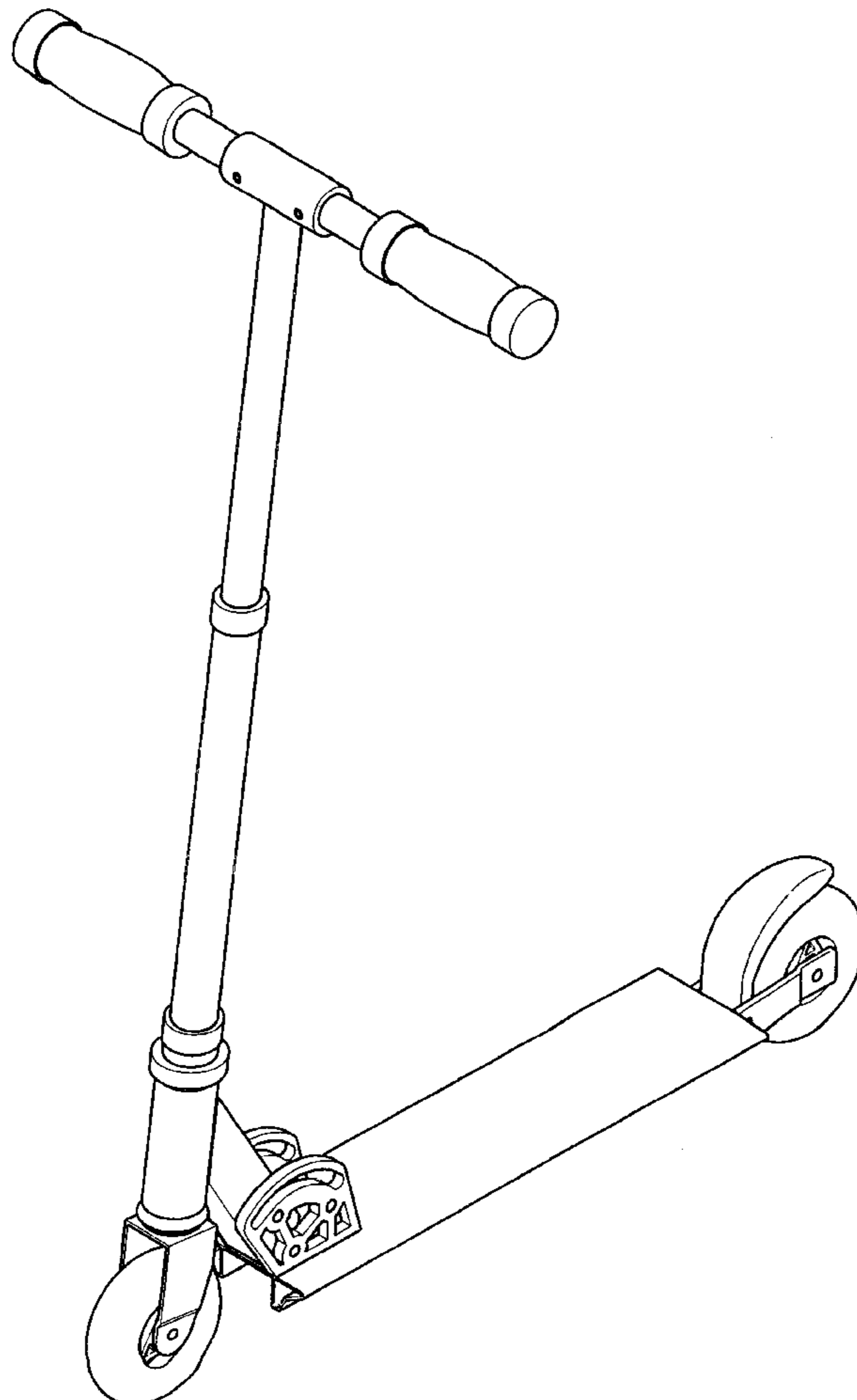
FIG. 8 is a side view thereof showing the slide cart in its folded configuration.

(56) **References Cited**

**U.S. PATENT DOCUMENTS**

D. 293,340 \* 12/1987 Heilig ..... D21/423  
D. 352,921 \* 11/1994 Pepe ..... D12/110  
1,274,889 \* 8/1918 Johnson ..... 280/87.042  
1,416,864 \* 5/1922 Parkes ..... 280/87.041

**1 Claim, 8 Drawing Sheets**



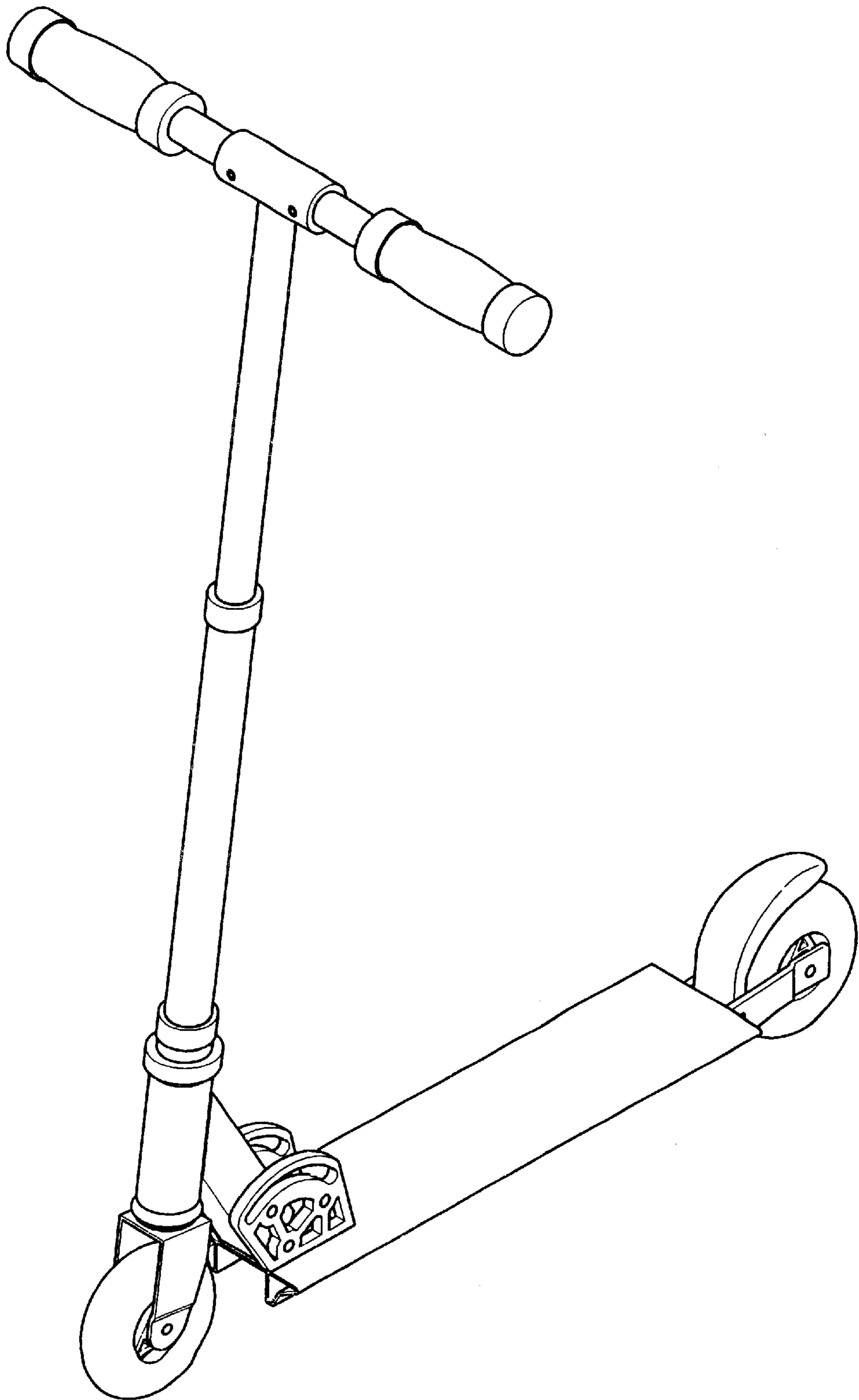


FIG. 1

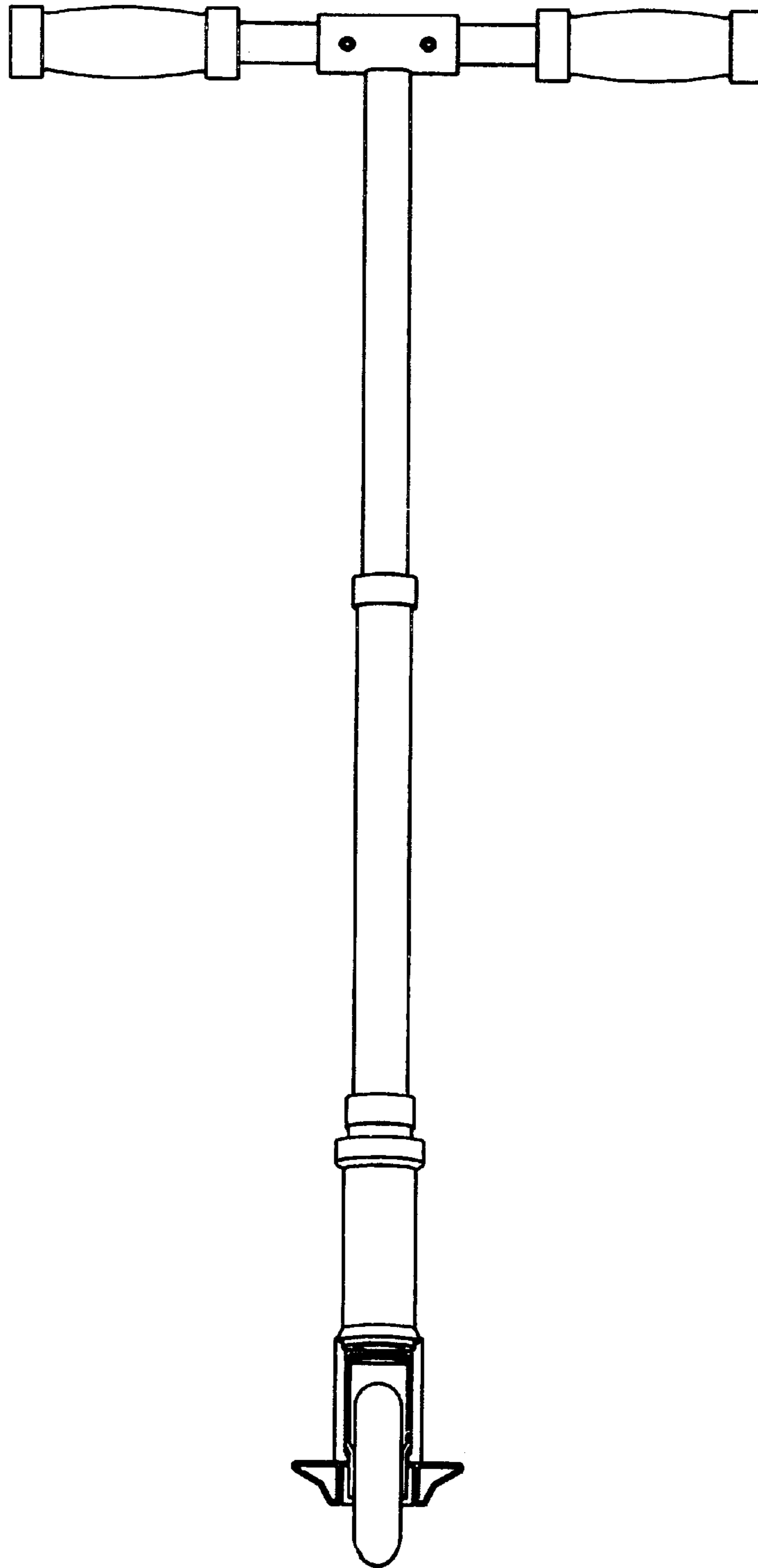


FIG.2

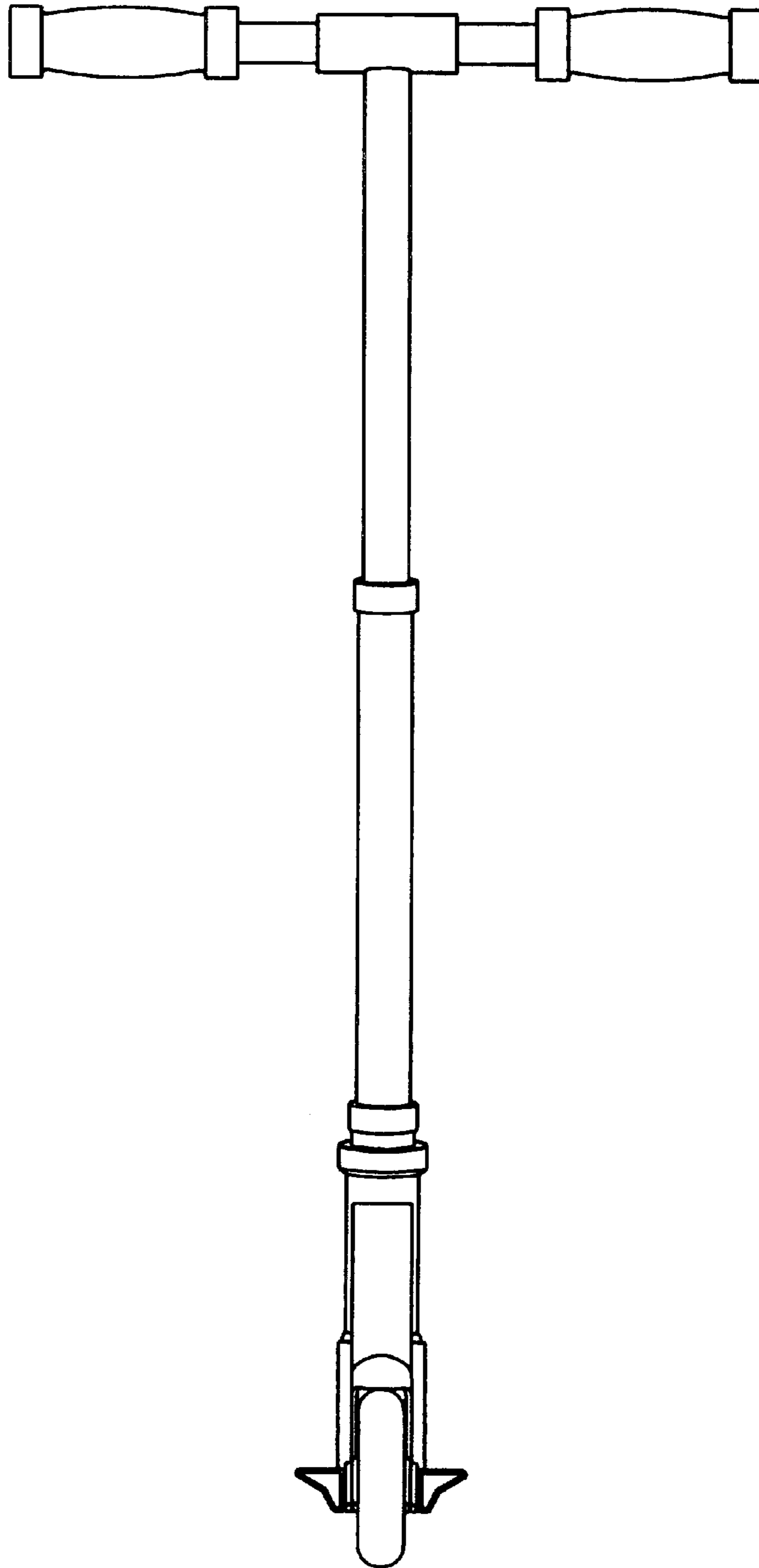


FIG. 3

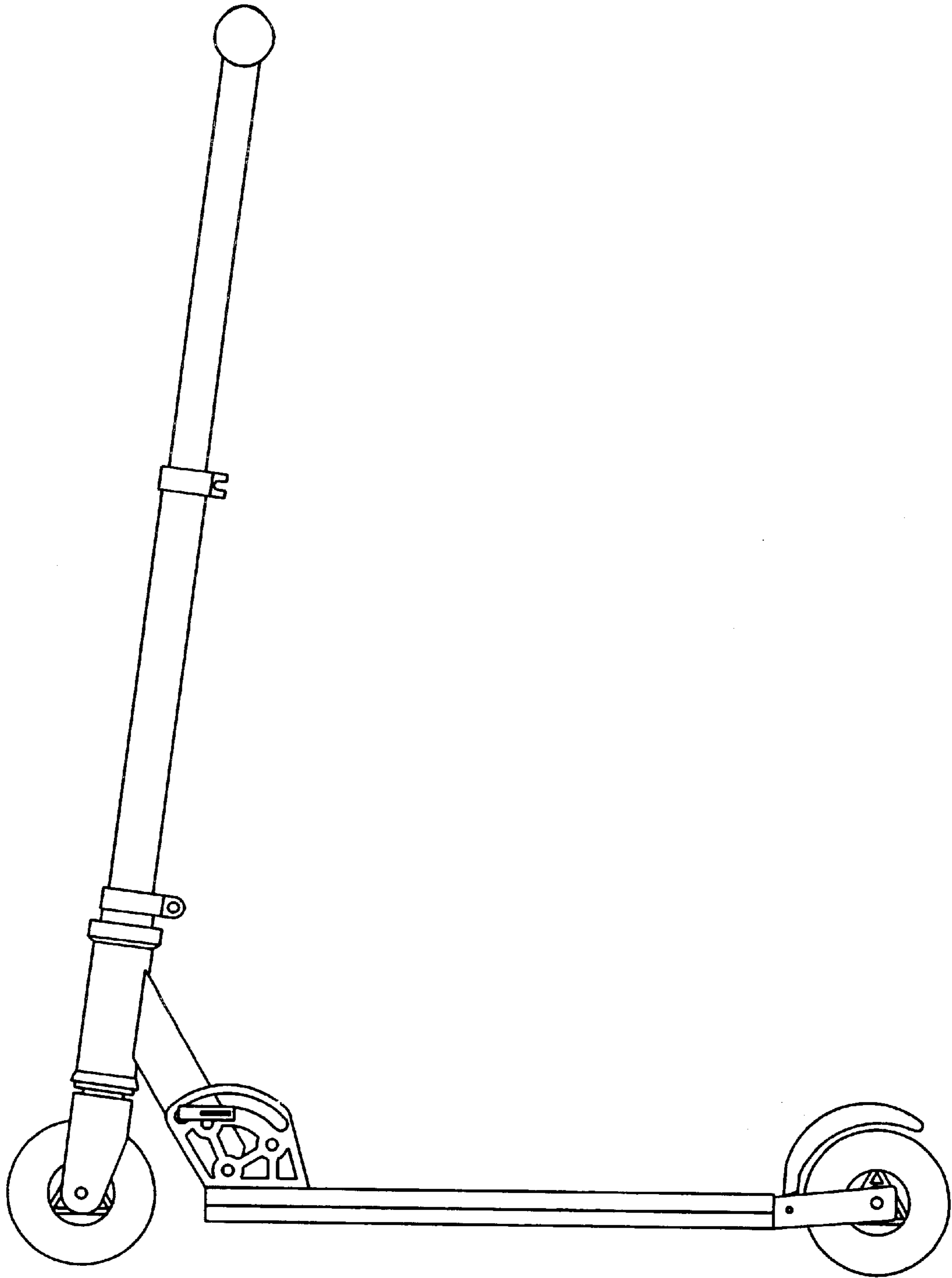


FIG. 4

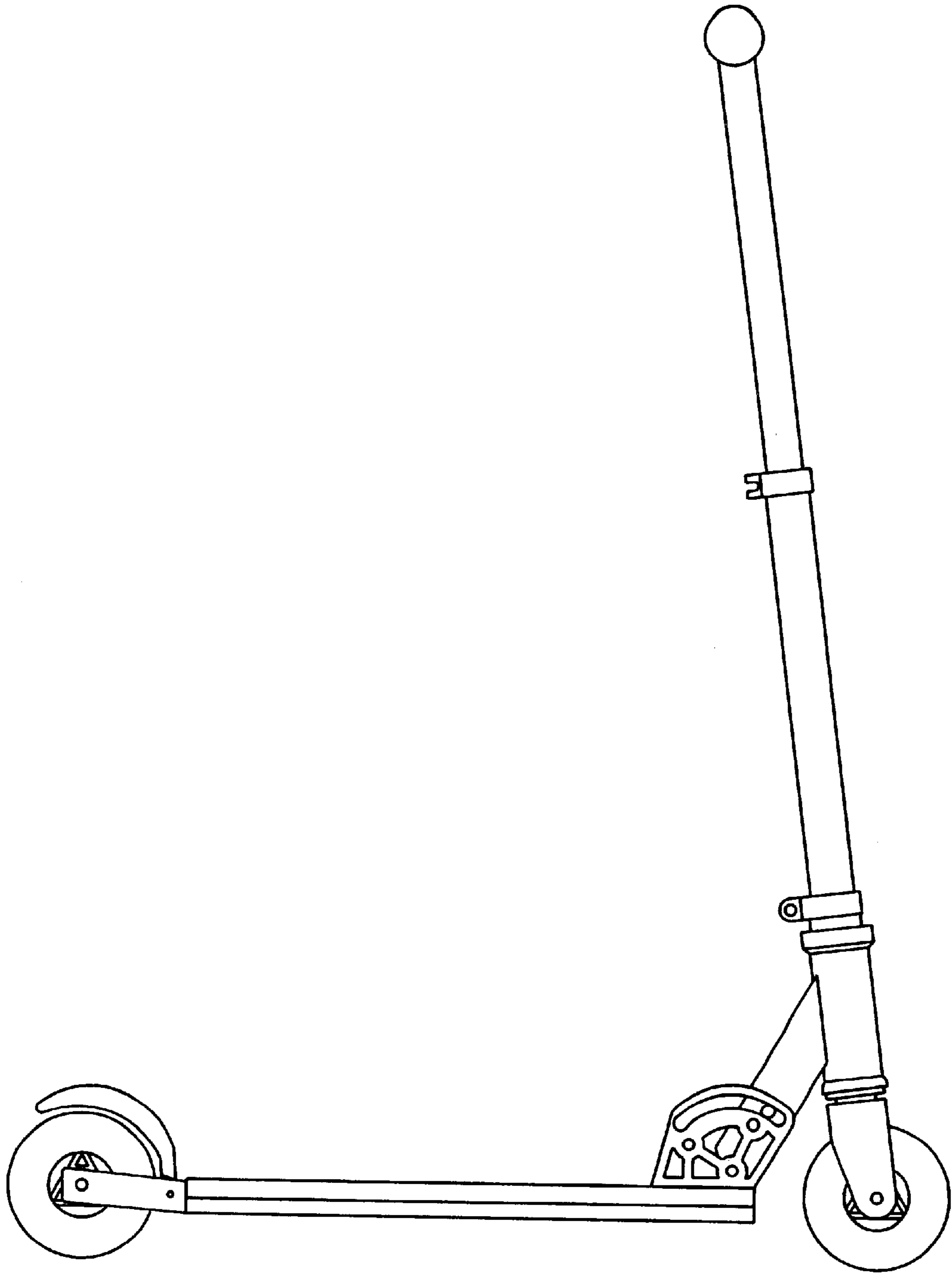


FIG. 5

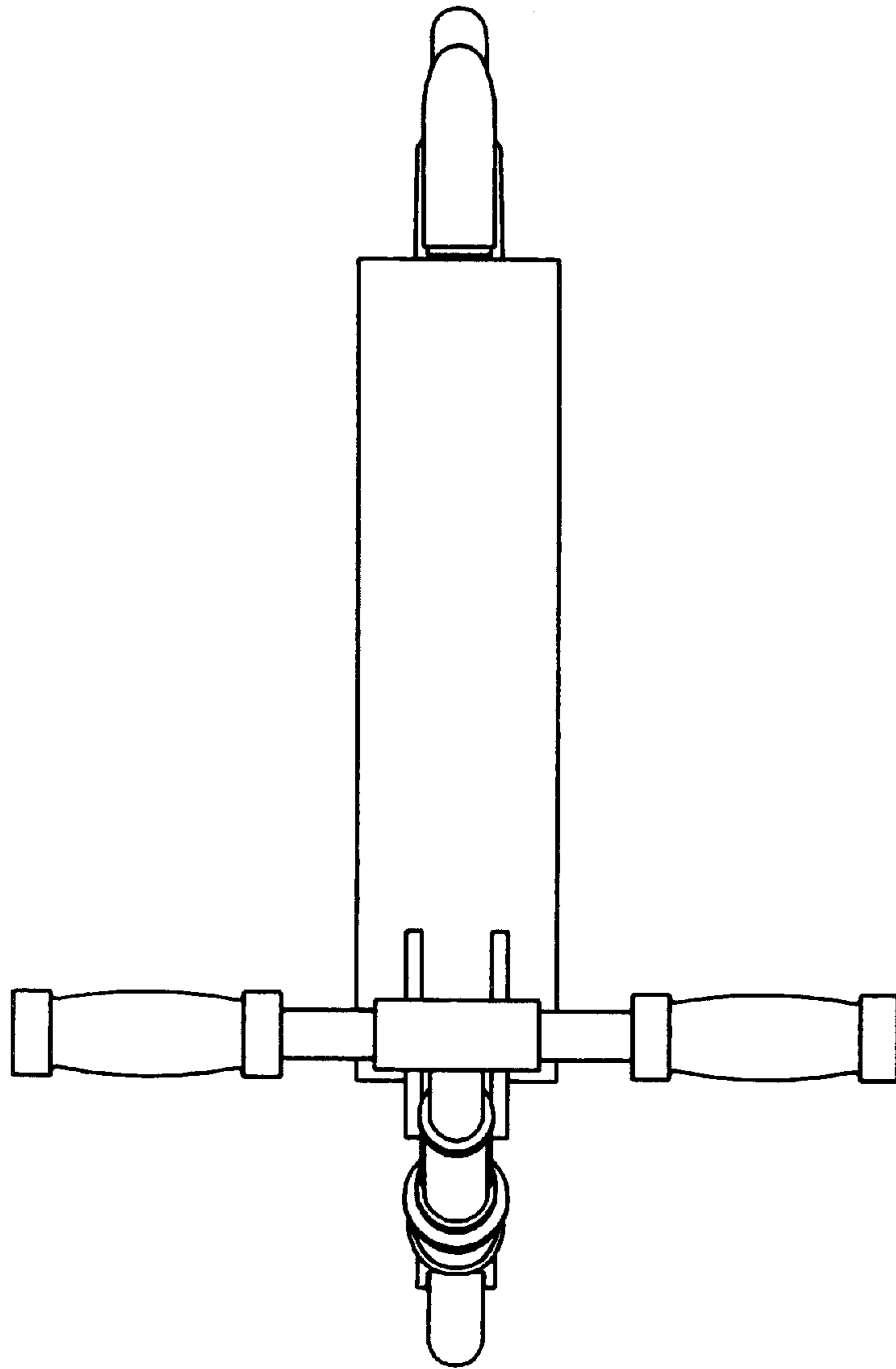


FIG.6

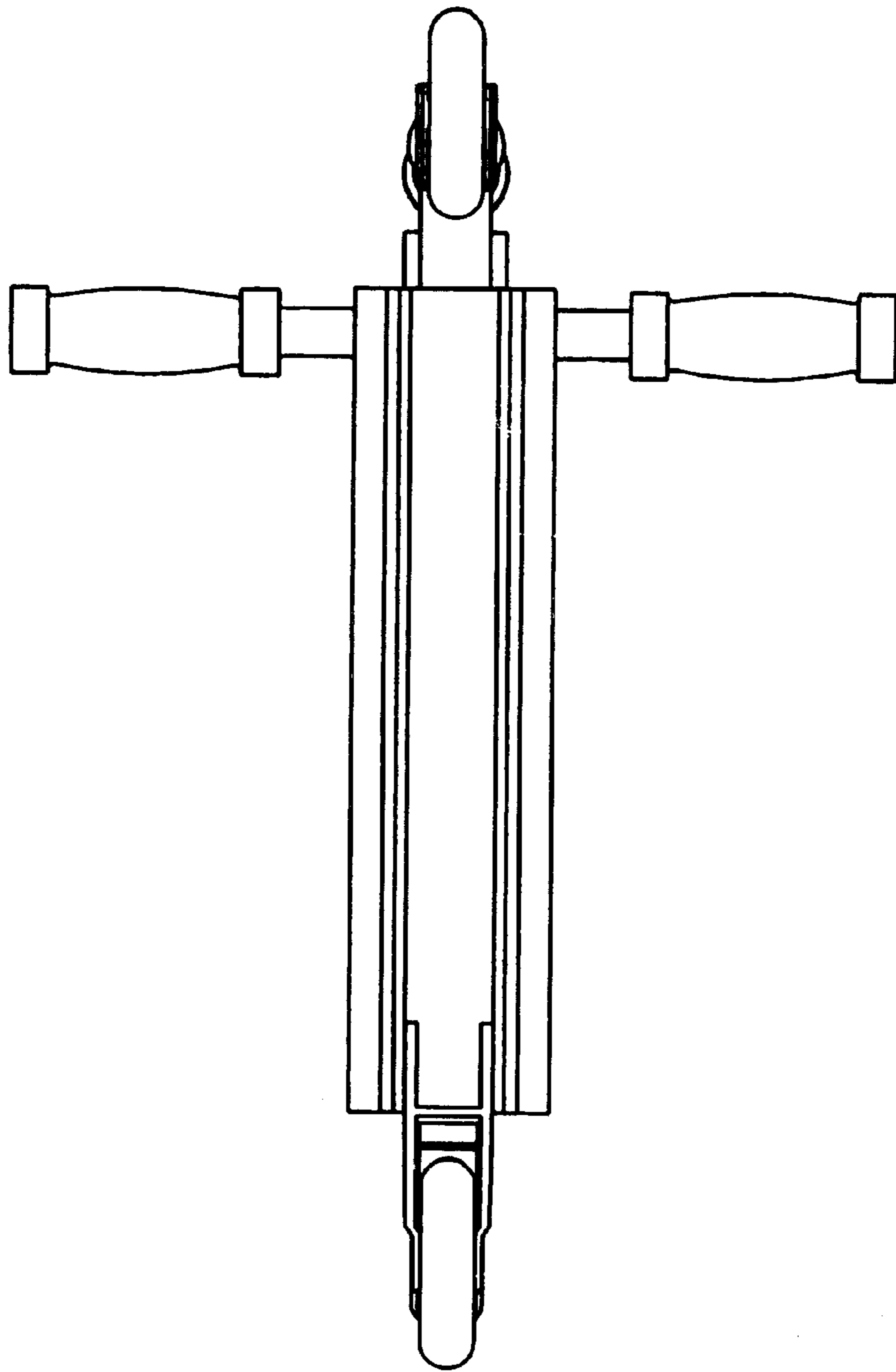


FIG. 7



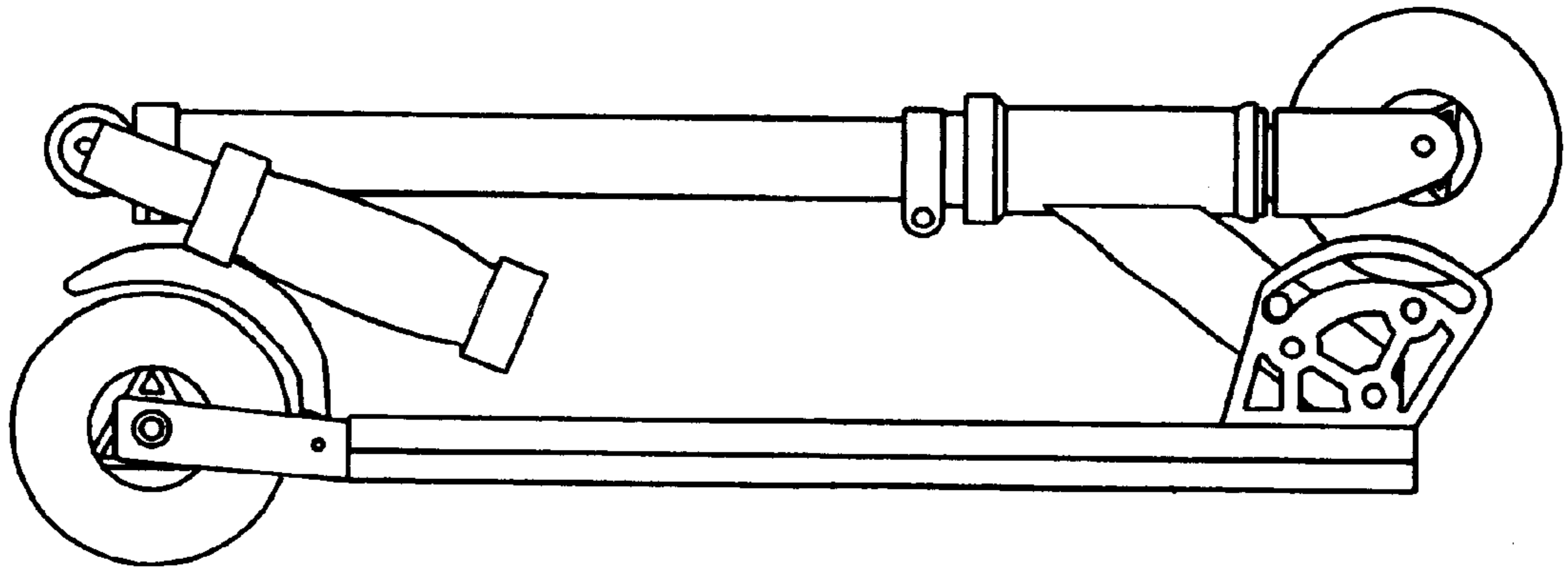


FIG.8