



US00D435871S

(12) **United States Design Patent**
Yu

(10) **Patent No.:** **US D435,871 S**

(45) **Date of Patent:** **** Jan. 2, 2001**

(54) **PROTECTIVE COVER WITH LIGHT FOR
HANDHELD ELECTRONIC GAME**

(75) **Inventor:** **Man-Chiu Yu, Kowloon (HK)**

(73) **Assignee:** **Storm Electronics Company Limited,
Kowloon (CN)**

(**) **Term:** **14 Years**

(21) **Appl. No.:** **29/121,669**

(22) **Filed:** **Apr. 11, 2000**

(51) **LOC (7) Cl.** **21-01**

(52) **U.S. Cl.** **D21/333; D21/385**

(58) **Field of Search** **D21/324, 328-333,
D21/385; 273/148 B; 463/1, 29-35, 46,
47; D26/60, 51, 24, 37; 362/109, 191, 234,
253, 396, 84, 85, 28**

(56) **References Cited**

U.S. PATENT DOCUMENTS

- D. 316,454 * 4/1991 Tortola et al. D26/24
- D. 341,855 * 11/1993 Tortola et al. D21/385
- 4,589,659 * 5/1986 Yokoi et al. 463/34

- 4,756,528 * 7/1988 Umashankar 463/1
- 5,130,907 * 7/1992 Tortola et al. 362/109
- 5,165,779 * 11/1992 Tortola et al. 273/148 B X
- 5,217,295 * 6/1993 Tortola et al. 362/109
- 5,325,280 * 6/1994 Tortola et al. 362/234

* cited by examiner

Primary Examiner—Prabhakar Deshmukh

(74) *Attorney, Agent, or Firm*—Alix, Yale & Ristas, LLP

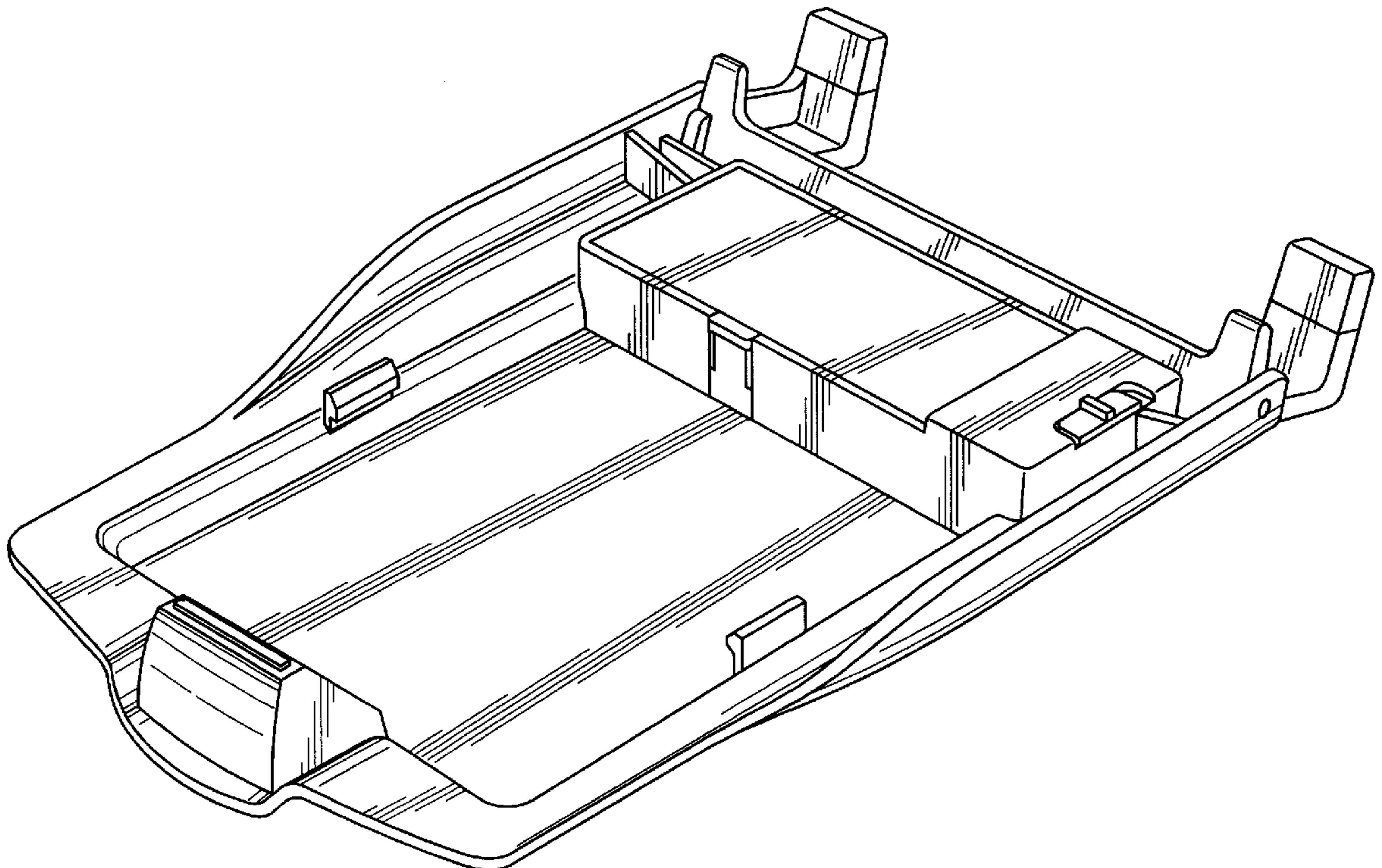
(57) **CLAIM**

The ornamental design for a protective cover with light for handheld electronic game, as shown and described.

DESCRIPTION

FIG. 1 is a perspective view of a protective cover with light for handheld electronic game showing my new design;
 FIG. 2 is a front elevational view thereof;
 FIG. 3 is a left side elevational view thereof;
 FIG. 4 is a top plan view thereof;
 FIG. 5 is a rear elevational view thereof;
 FIG. 6 is a right side elevational view thereof; and,
 FIG. 7 is a bottom plan view thereof.

1 Claim, 3 Drawing Sheets



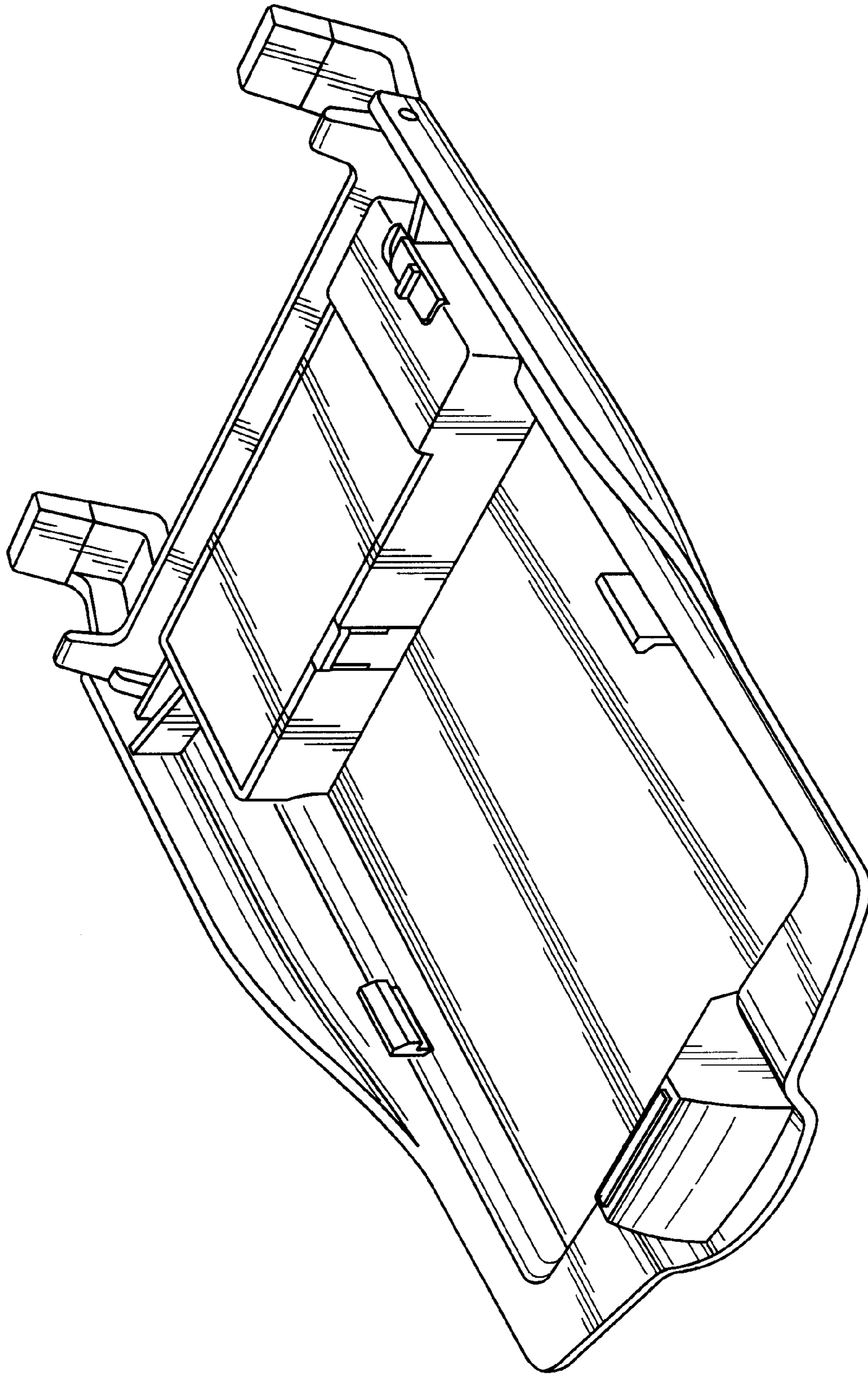


FIG. 1

FIG. 4

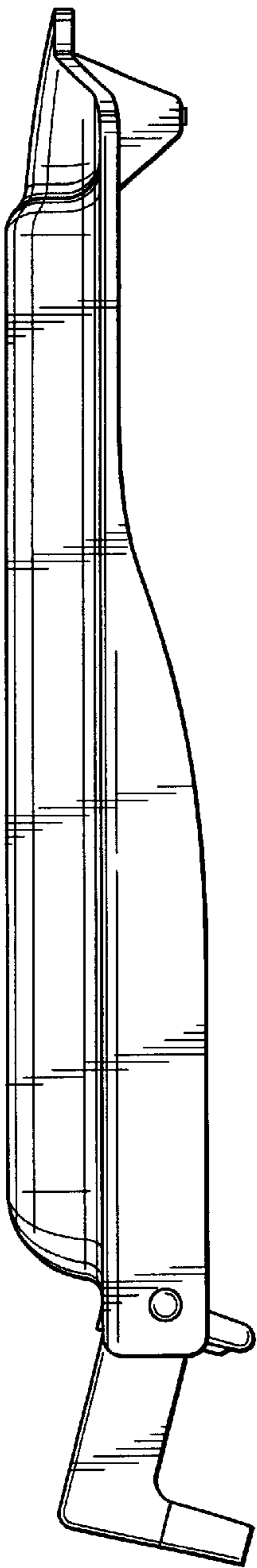
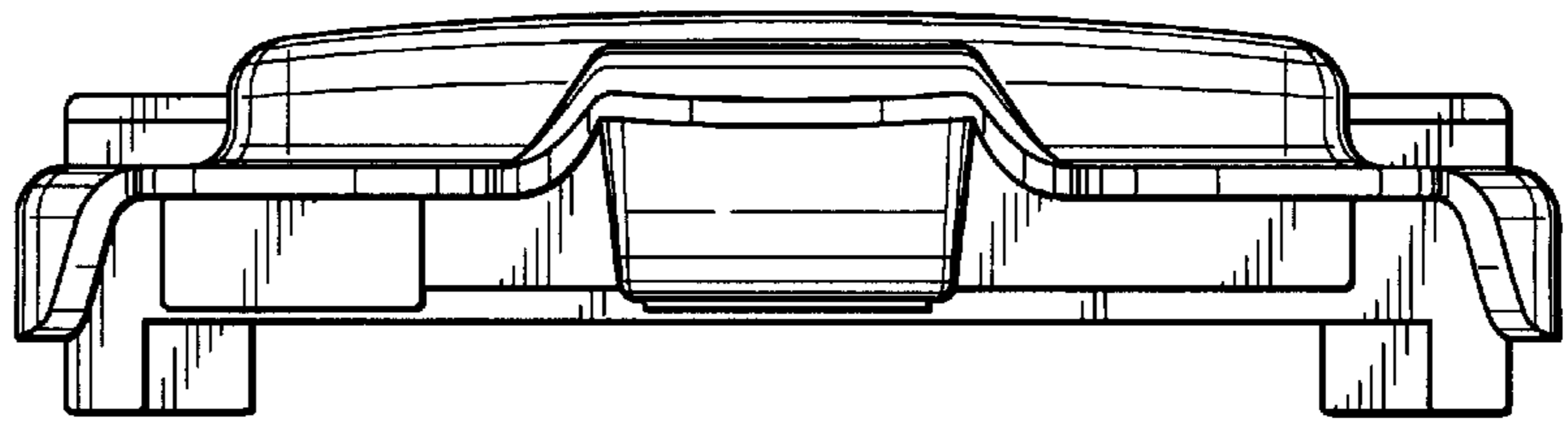


FIG. 3

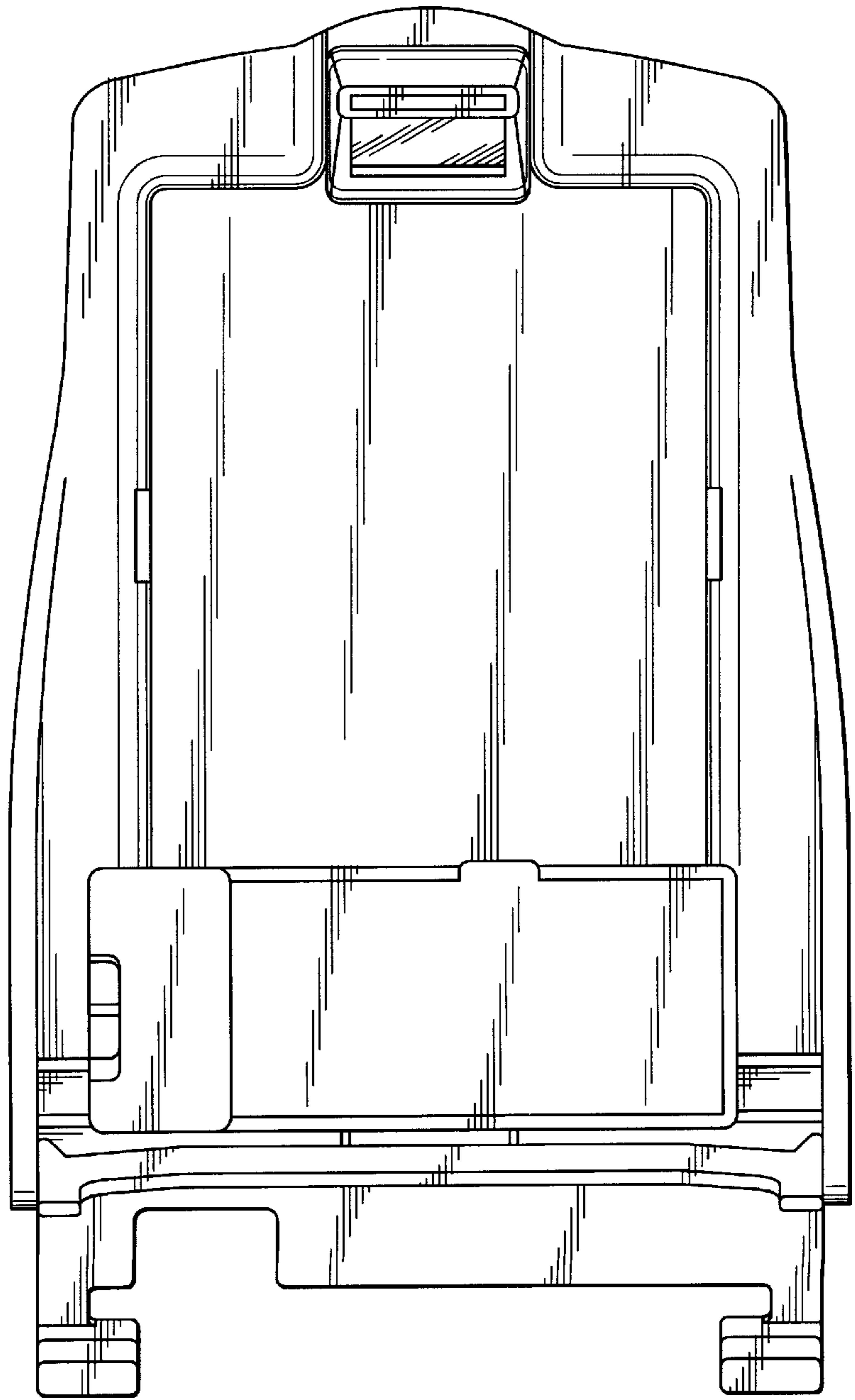


FIG. 2



FIG. 5

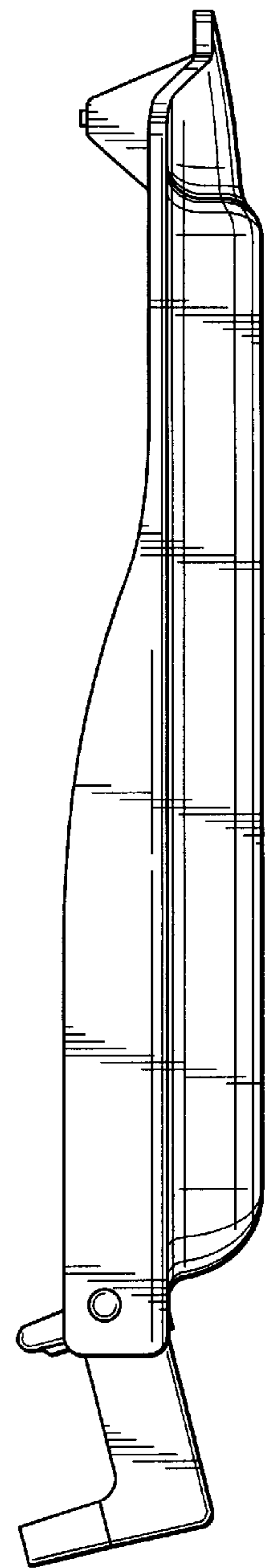


FIG. 6



FIG. 7