



US00D435856S

(12) **United States Design Patent**
Kato

(10) **Patent No.:** **US D435,856 S**

(45) **Date of Patent:** **** Jan. 2, 2001**

(54) **COMPRESSOR FOR AN AUTOMOBILE AIR
CONDITIONING SYSTEM**

D. 381,993 * 8/1997 Takenaka et al. D15/9
D. 417,266 * 11/1999 Ito et al. D15/9
4,373,876 * 2/1983 Nemoto 417/534

(75) Inventor: **Shigeki Kato**, Aichi-ken (JP)

* cited by examiner

(73) Assignee: **Kabushiki Kaisha Unicla**, Aichi-ken
(JP)

Primary Examiner—Ralf Seifert
(74) *Attorney, Agent, or Firm*—ipsolon, LLP

(**) Term: **14 Years**

(57) **CLAIM**

(21) Appl. No.: **29/115,629**

The ornamental design for a compressor for an automobile
air conditioning system, as shown.

(22) Filed: **Dec. 17, 1999**

DESCRIPTION

(30) **Foreign Application Priority Data**

Nov. 12, 1999 (JP) 11-31095

(51) **LOC (7) Cl.** **15-03**

(52) **U.S. Cl.** **D15/9**

(58) **Field of Search** D15/5, 7-9; D23/354,
D23/163, 325, 363; 418/259; 417/359,
415, 410.3, 534

FIG. 1 is a top, front, left side perspective view of a
compressor to be used for an automobile air conditioning
system.

FIG. 2 is a top, front, right side perspective view of the
compressor of FIG. 1.

FIG. 3 is a front elevational view of the compressor of FIG.
1.

FIG. 4 is a top plan view of the compressor of FIG. 1.

FIG. 5 is a rear elevational view of the compressor of FIG.
1.

FIG. 6 is a bottom plan view of the compressor of FIG. 1.

FIG. 7 is a left side elevational view of the compressor of
FIG. 1; and,

FIG. 8 is a right side elevational view of the compressor of
FIG. 1.

(56) **References Cited**

U.S. PATENT DOCUMENTS

D. 282,471 * 2/1986 Bearint et al. D15/9
D. 351,603 * 10/1994 Ikeda et al. D15/9
D. 352,291 * 11/1994 Ikeda et al. D15/7
D. 356,862 * 3/1995 Ito et al. D23/325
D. 381,340 * 7/1997 Takenaka et al. D15/9

1 Claim, 4 Drawing Sheets

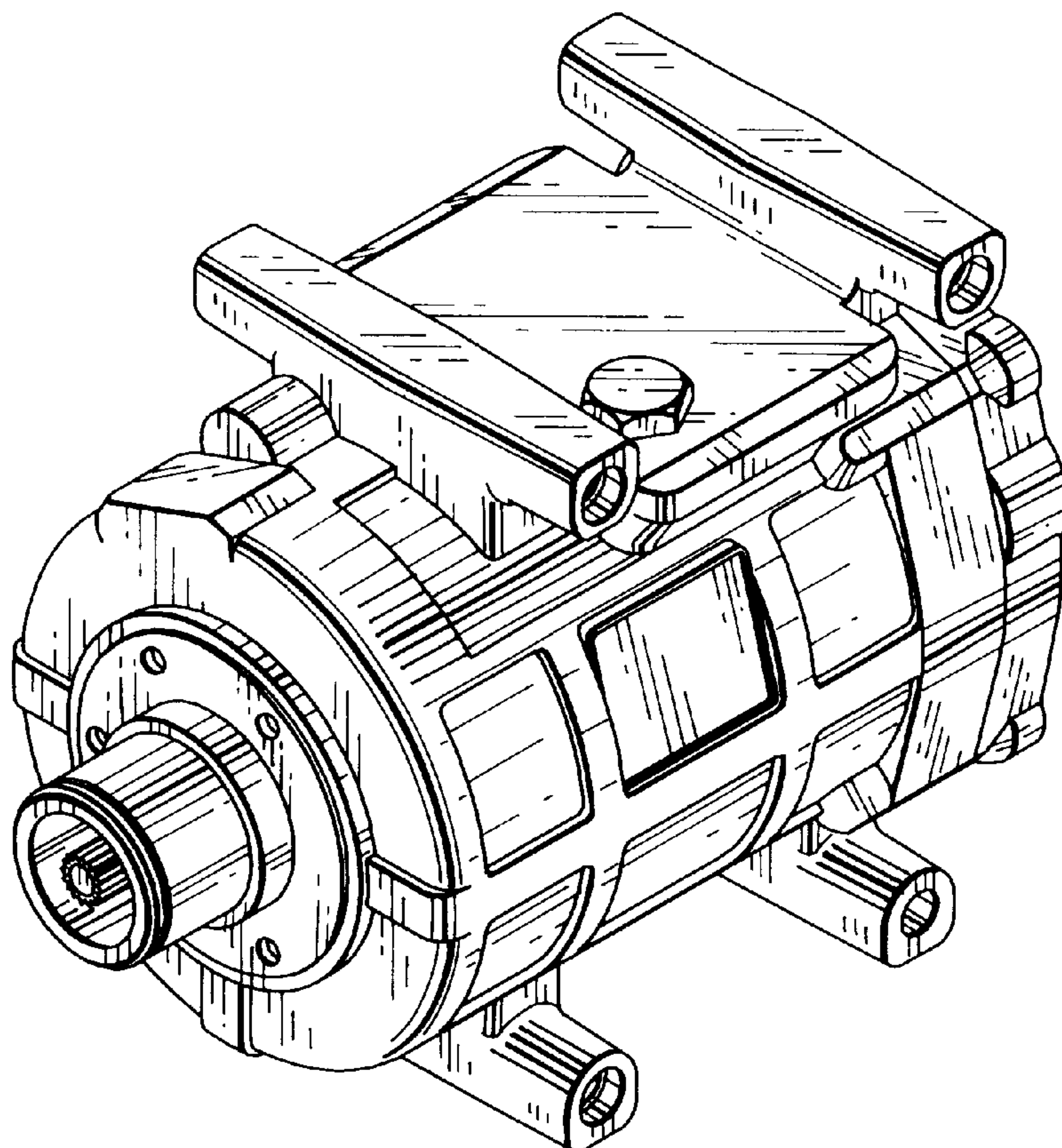


FIG. 1

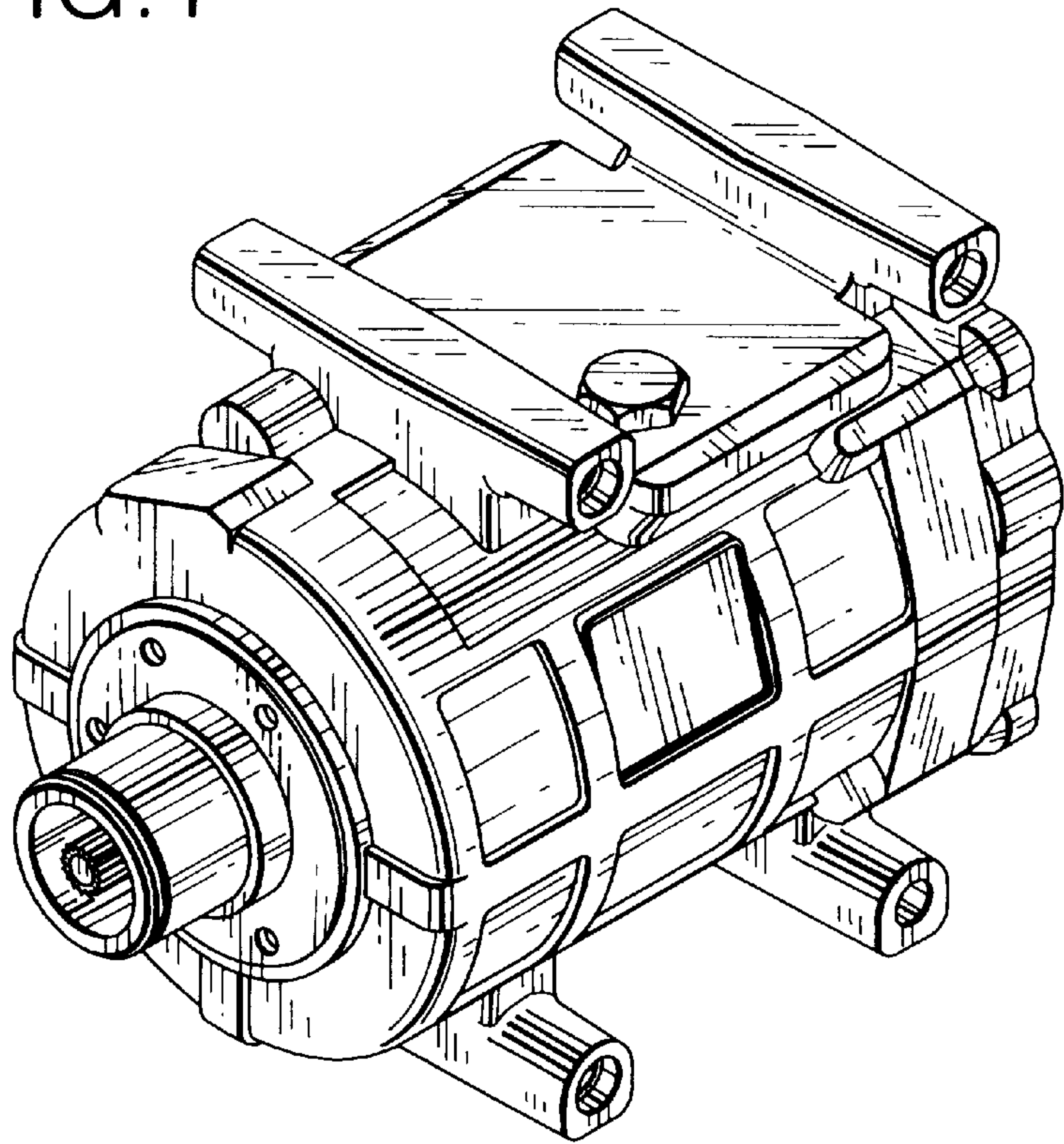


FIG. 2

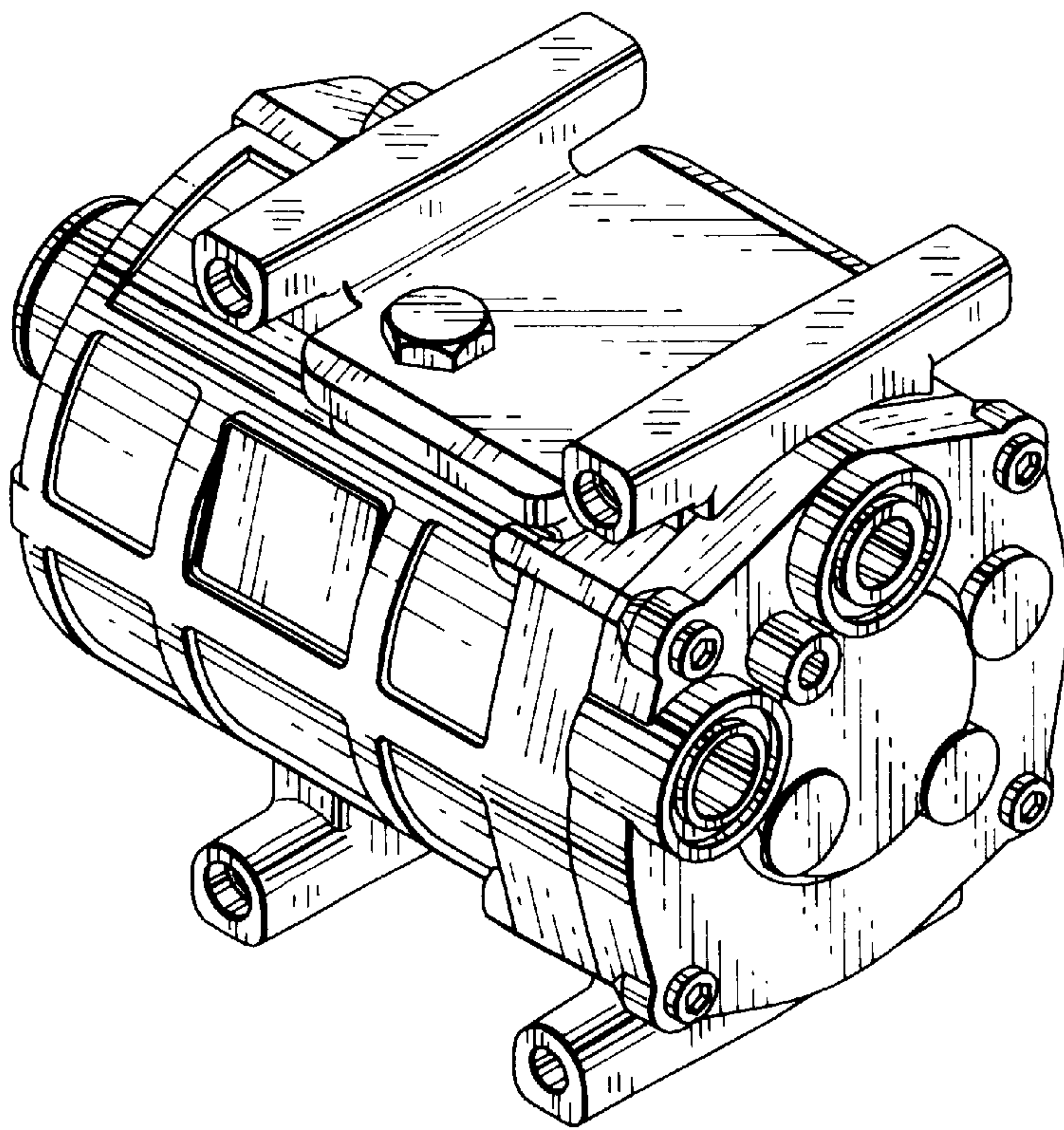


FIG. 3

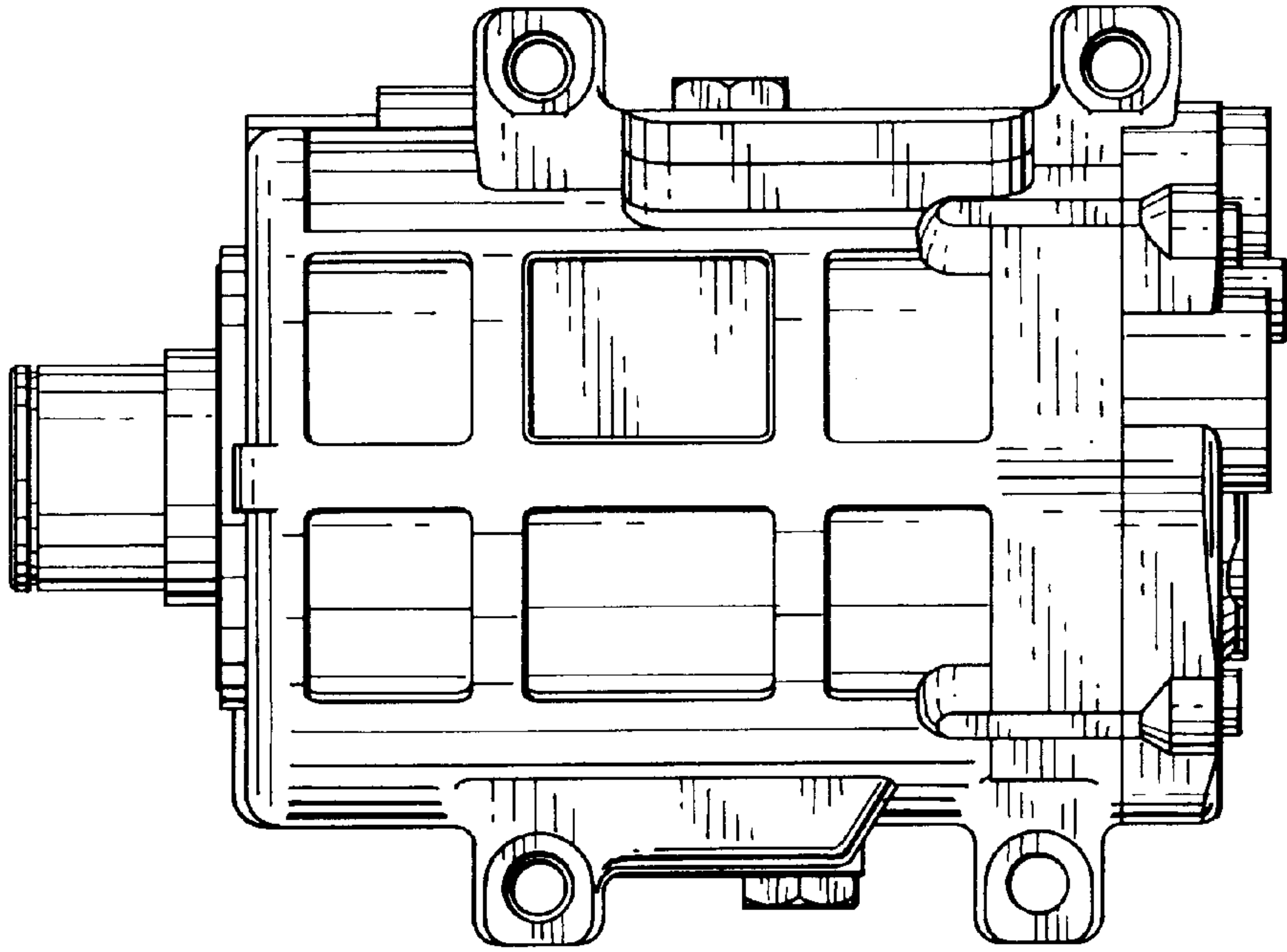


FIG. 4

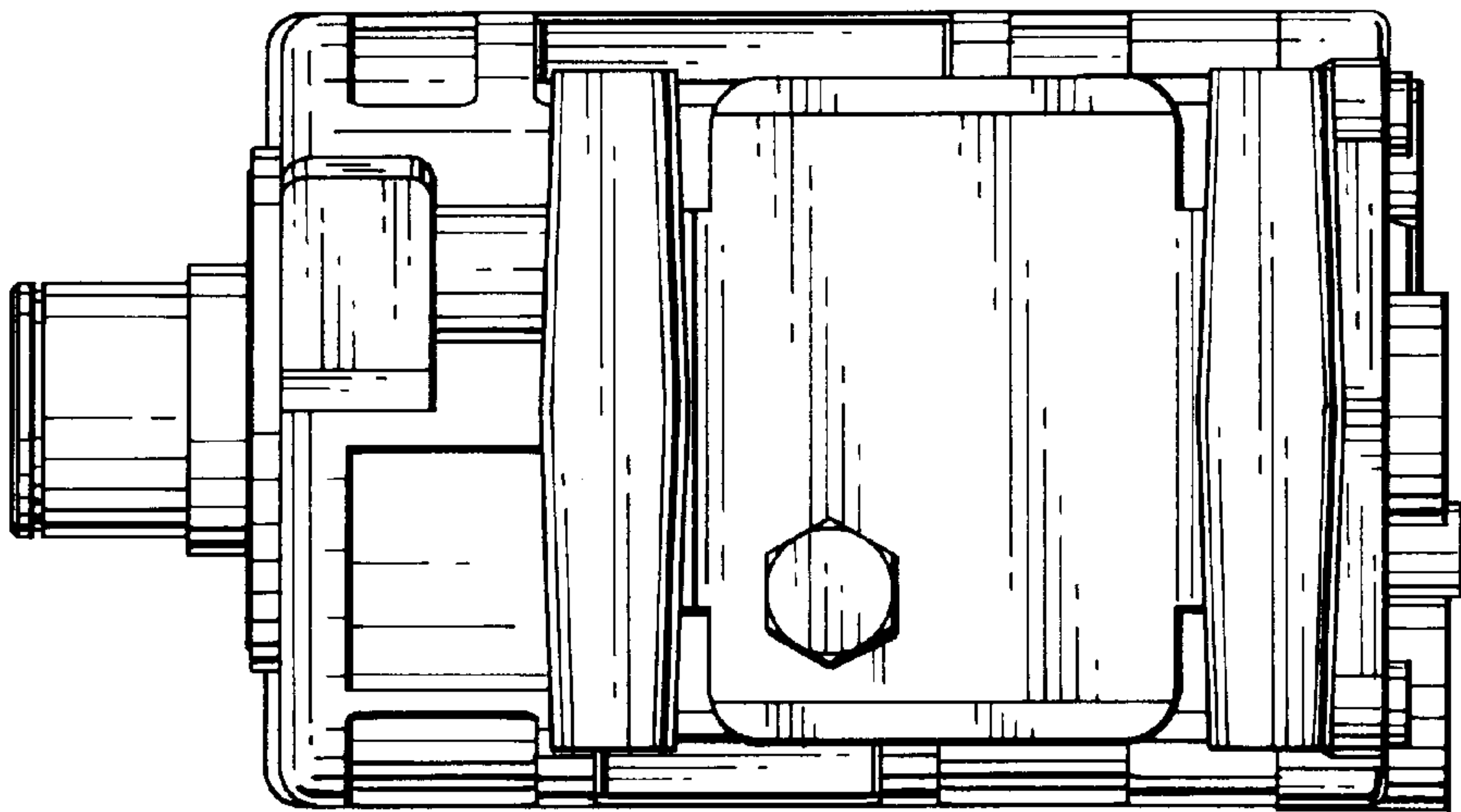


FIG. 5

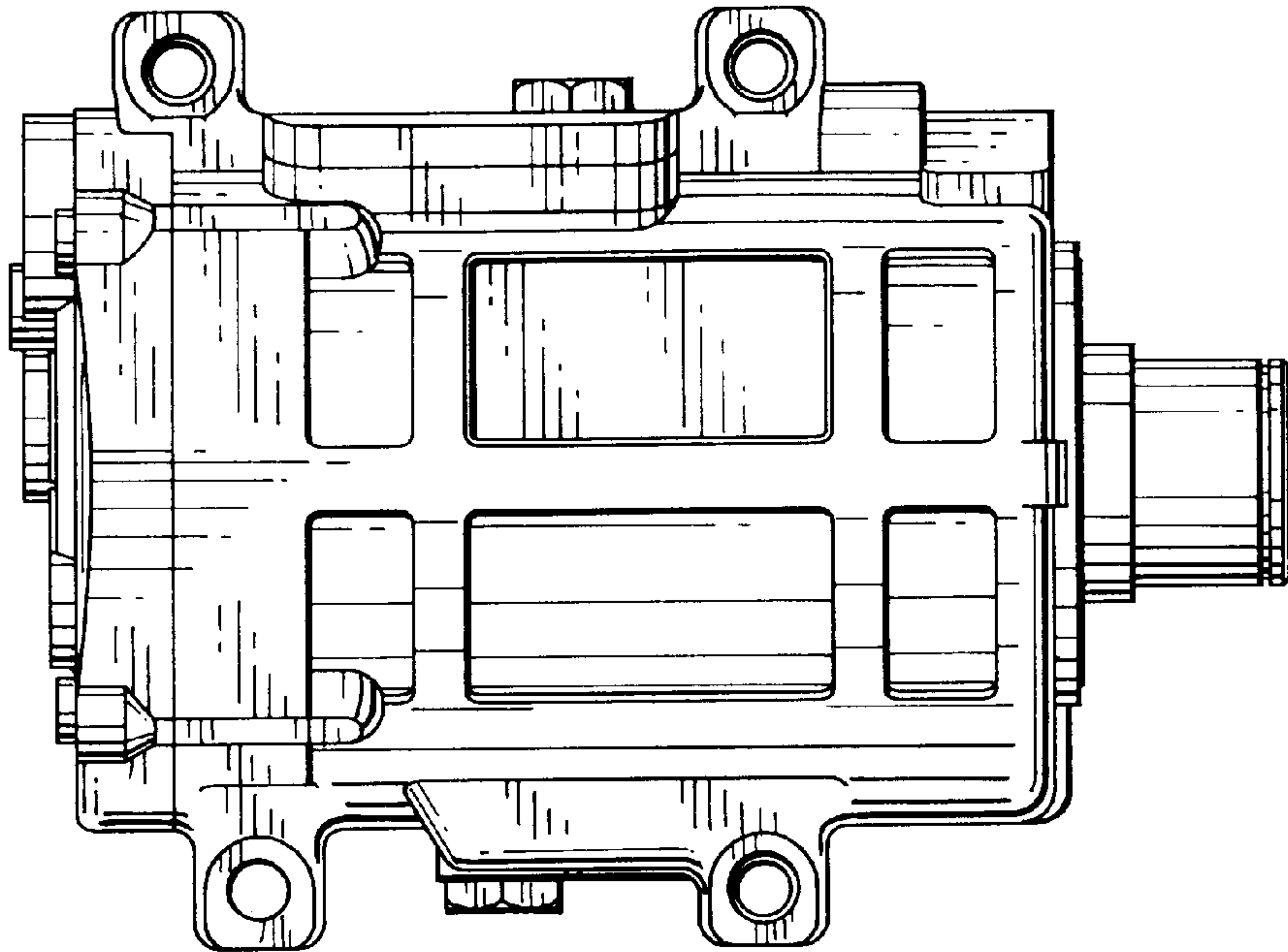


FIG. 6

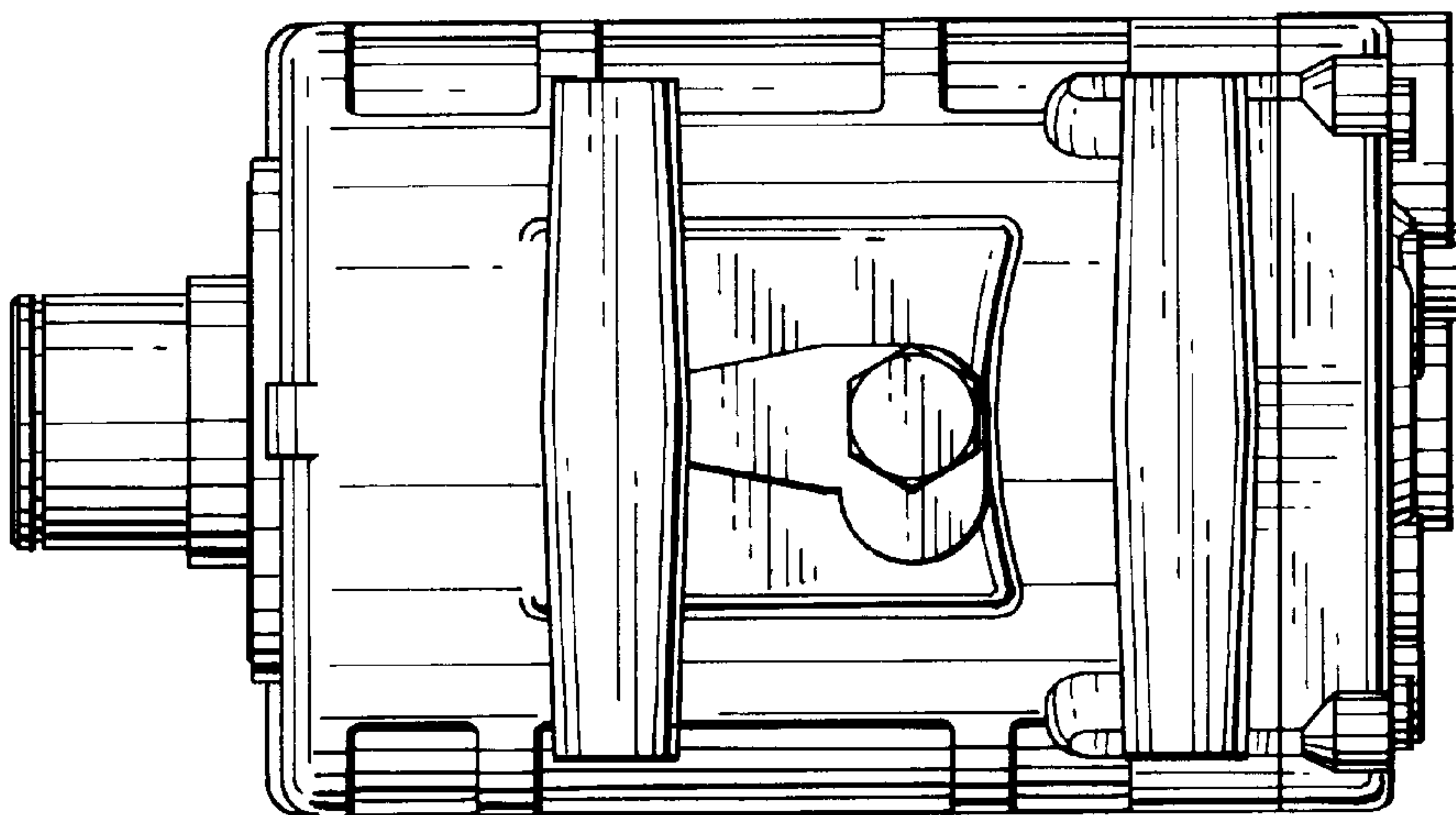


FIG. 7

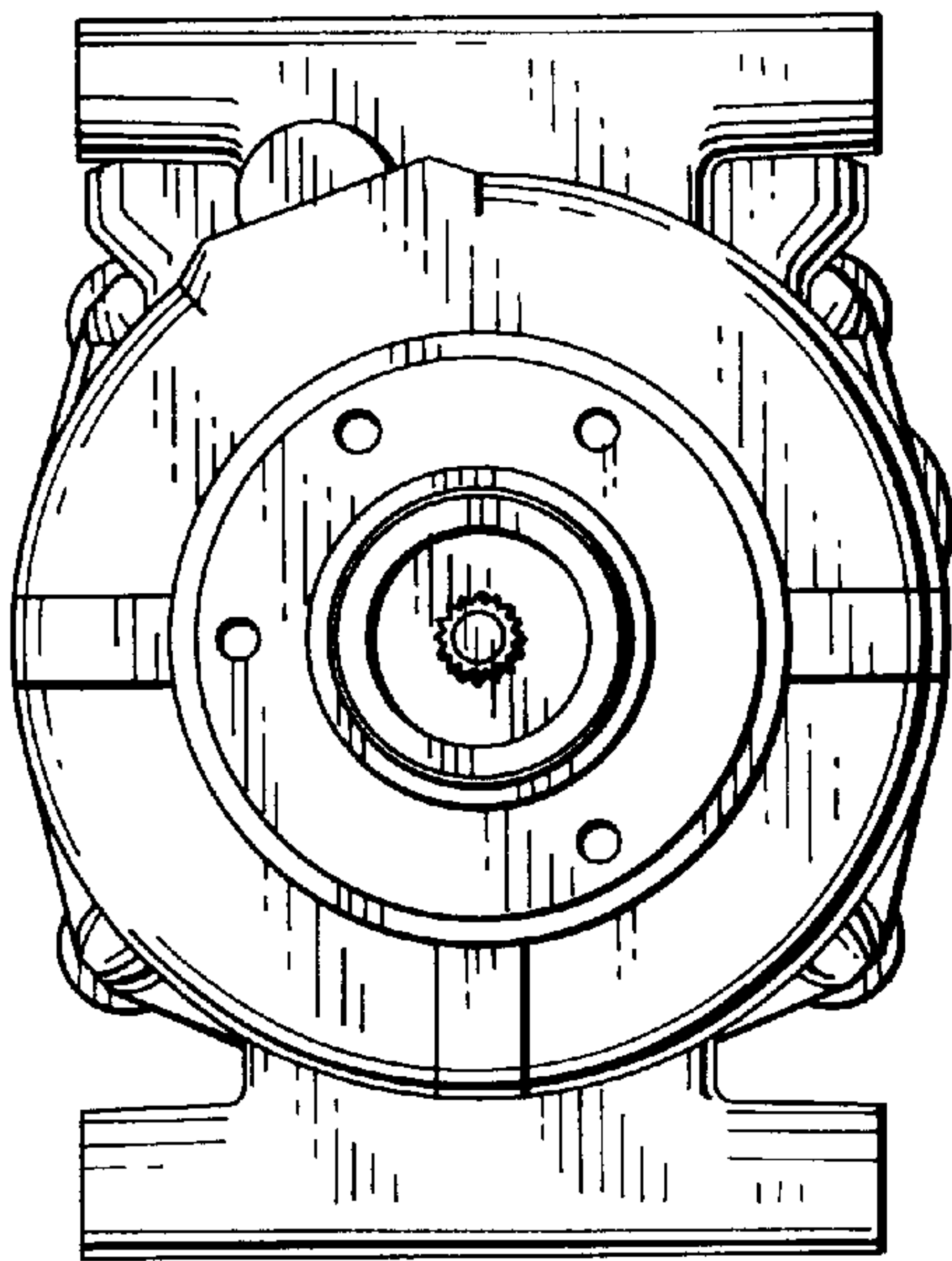


FIG. 8

