



US00D435855S

(12) **United States Design Patent**
Donelson et al.

(10) **Patent No.:** **US D435,855 S**

(45) **Date of Patent:** **** Jan. 2, 2001**

(54) **DIAPHRAGM PUMP HOUSING**

D. 400,210 * 10/1998 Reynolds et al. D15/7

(75) Inventors: **Andrew C. Donelson**, Mansfield; **Curt T. Young**, Shelby, both of OH (US)

* cited by examiner

(73) Assignee: **Warren Rupp, Inc.**, Mansfield, OH (US)

Primary Examiner—Ralf Seifert

(74) *Attorney, Agent, or Firm*—Hill & Simpson A Professional Corporation

(**) Term: **14 Years**

(57) **CLAIM**

The ornamental design for a diaphragm pump housing, as shown and described.

(21) Appl. No.: **29/115,542**

(22) Filed: **Dec. 17, 1999**

DESCRIPTION

(51) **LOC (7) Cl.** **15-02**

(52) **U.S. Cl.** **D15/7**

(58) **Field of Search** D15/7-9; 417/393-397, 417/454; 92/123, 98 R; 418/70; 103/150

FIG. 1 is a perspective view of the diaphragm pump housing of this invention.

FIG. 2 is a rear elevational view of the diaphragm pump housing of FIG. 1.

FIG. 3 is a front elevational view of the diaphragm pump housing of FIG. 1.

FIG. 4 is a side elevational view taken from the right side of FIG. 1. The opposite side view would be a mirror image.

FIG. 5 is a top plan view of the diaphragm pump housing of FIG. 1; and,

FIG. 6 is a bottom plan view of the diaphragm pump housing of FIG. 1.

(56) **References Cited**

U.S. PATENT DOCUMENTS

| | | | | | |
|------------|---|---------|-----------------------|-------|-------|
| D. 294,947 | * | 3/1988 | Wilden | | D15/7 |
| D. 331,412 | * | 12/1992 | Wilden | | D15/7 |
| D. 370,488 | * | 6/1996 | Kozumplik, Jr. et al. | | D15/7 |
| D. 380,218 | * | 6/1997 | McKee et al. | | D15/7 |
| D. 388,796 | * | 1/1998 | Conti et al. | | D15/7 |
| D. 388,797 | * | 1/1998 | Conti et al. | | D15/7 |

1 Claim, 5 Drawing Sheets

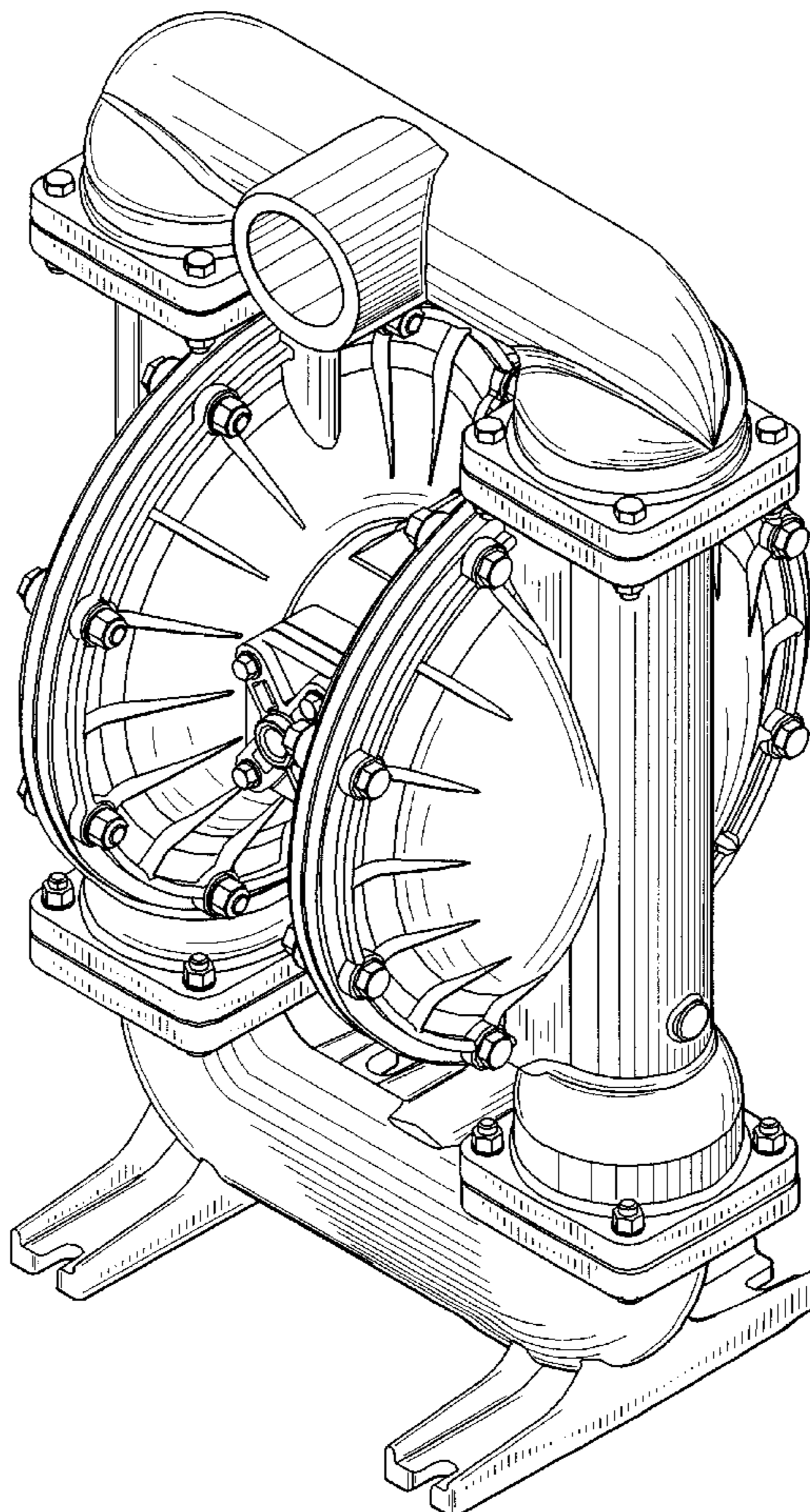


FIG. 1

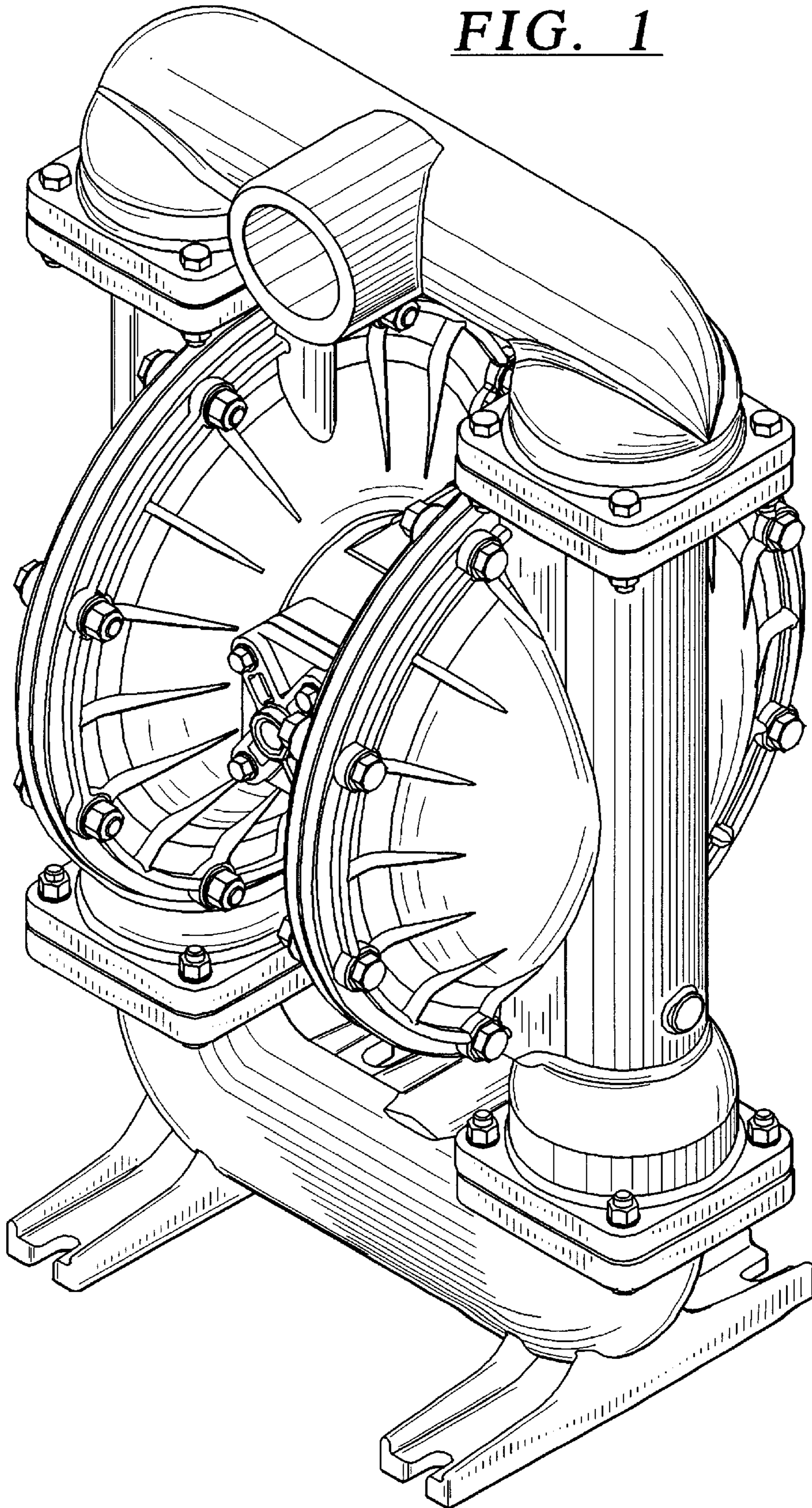


FIG. 2

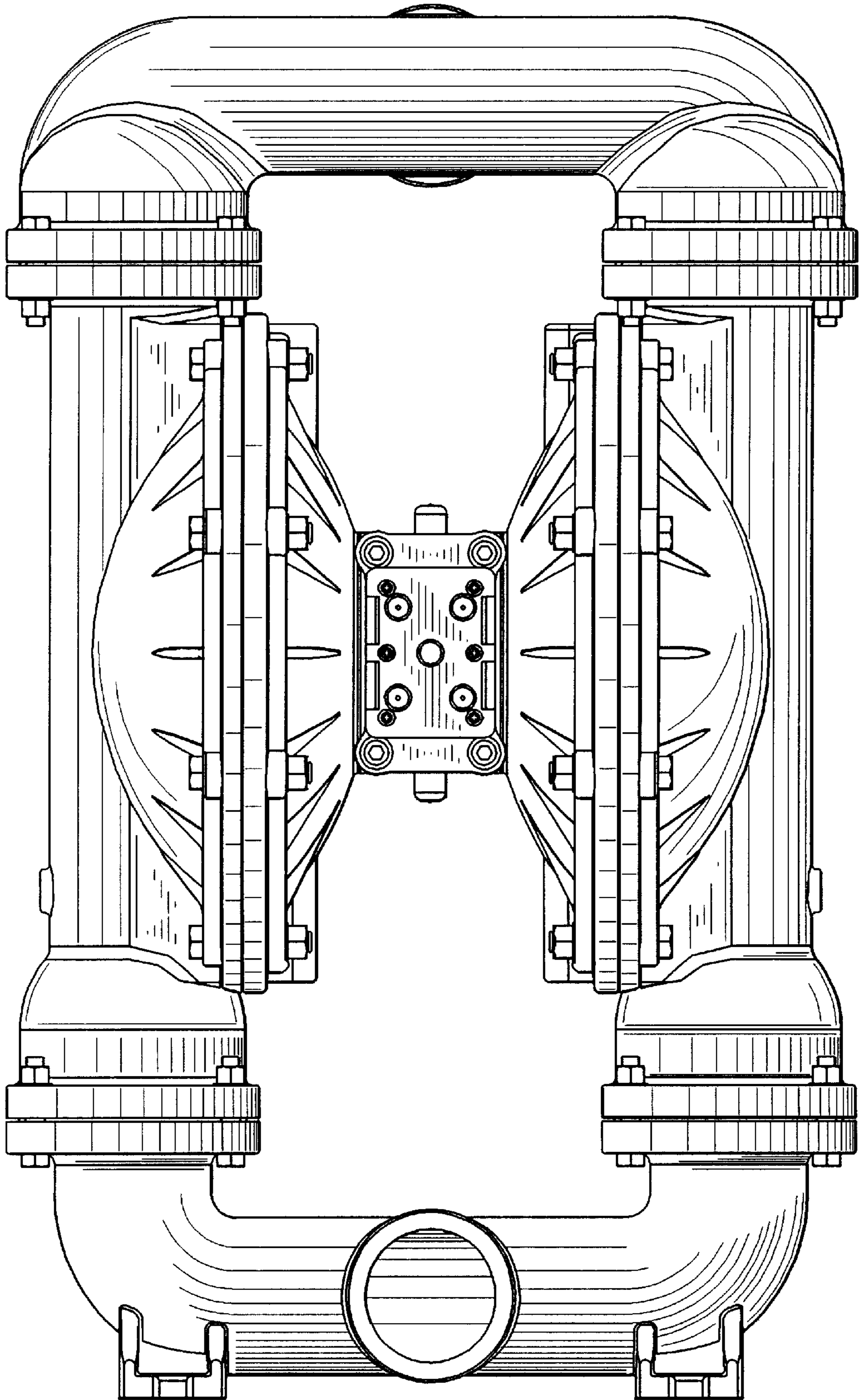


FIG. 3

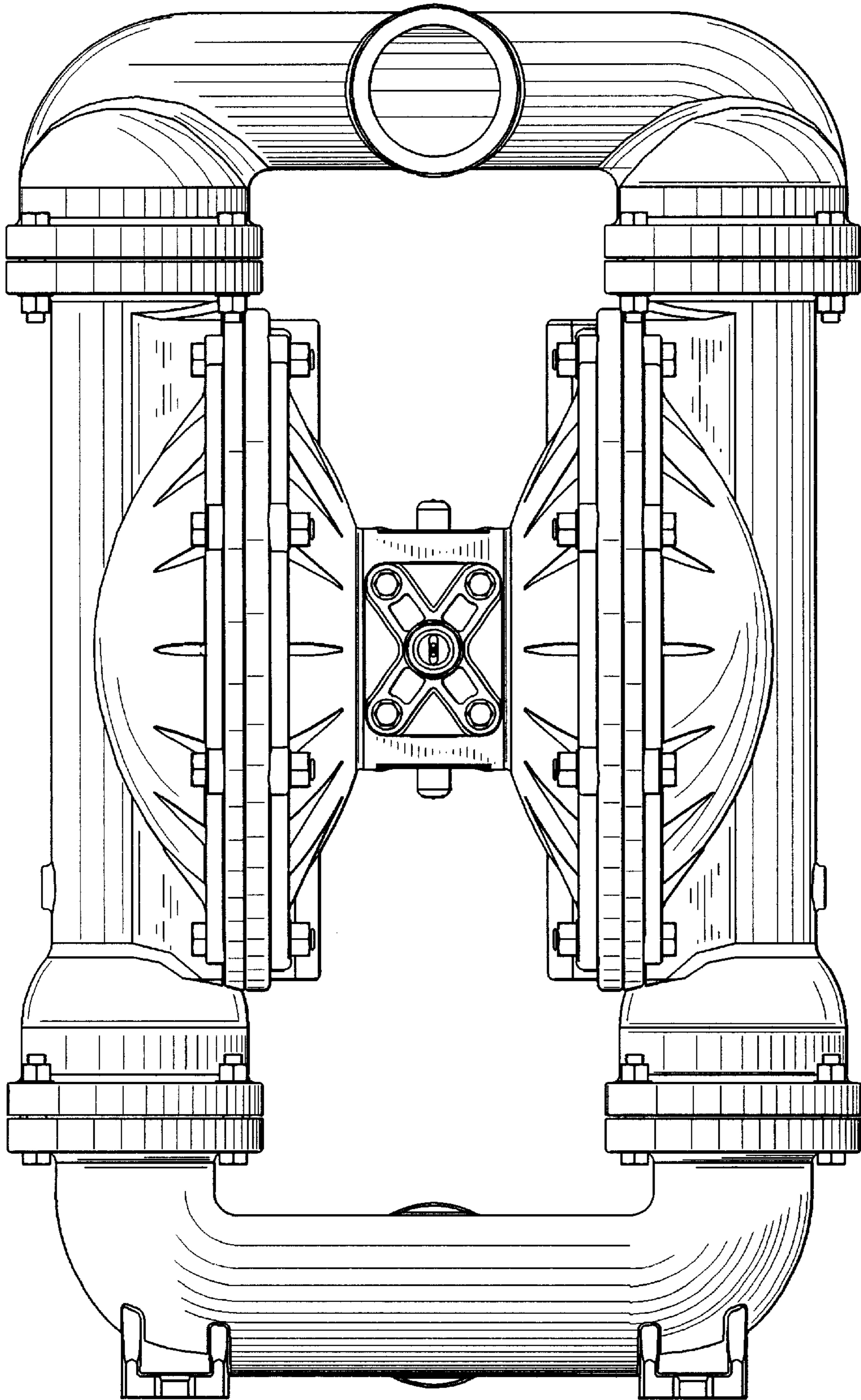


FIG. 4

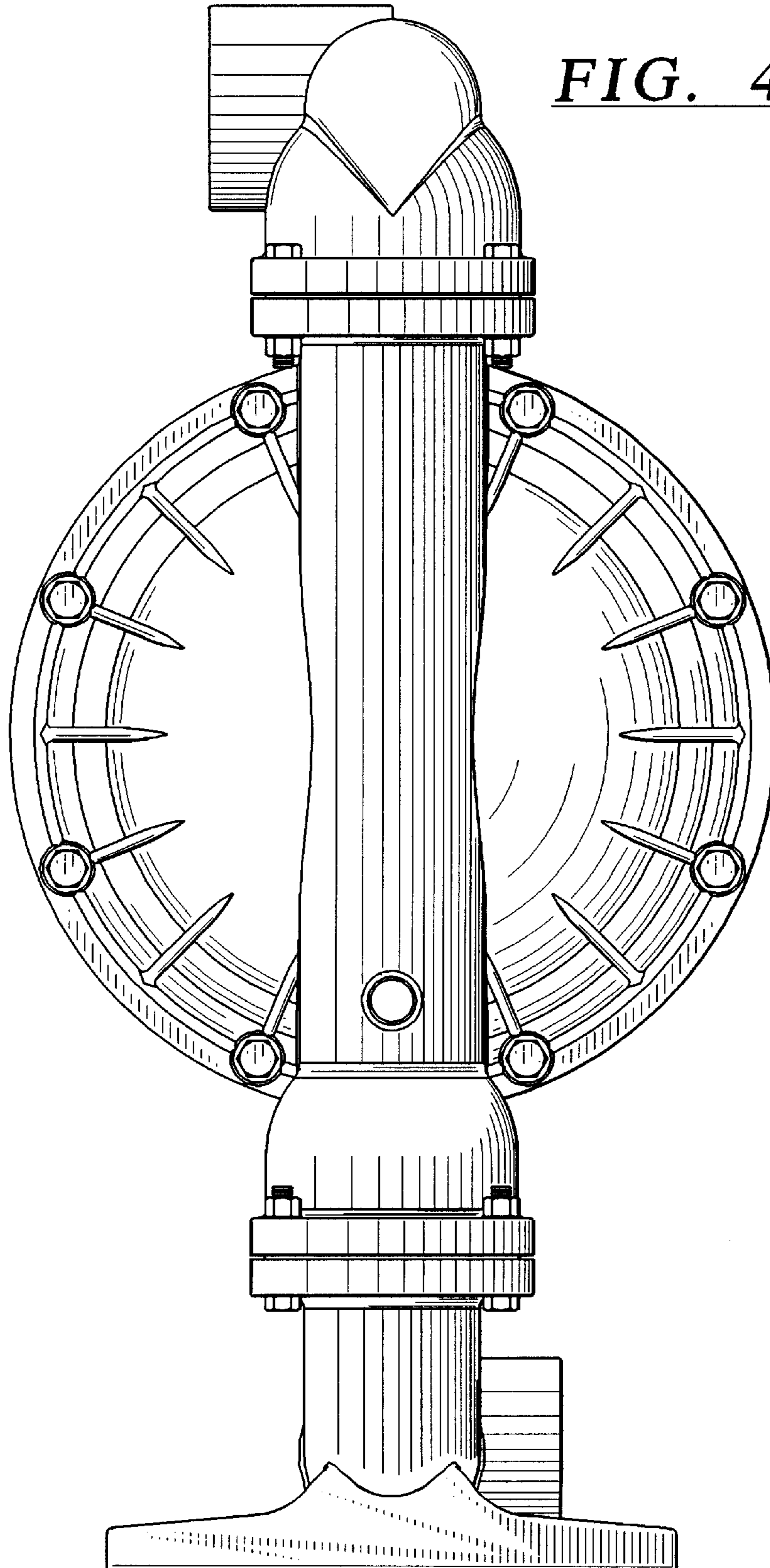


FIG. 5

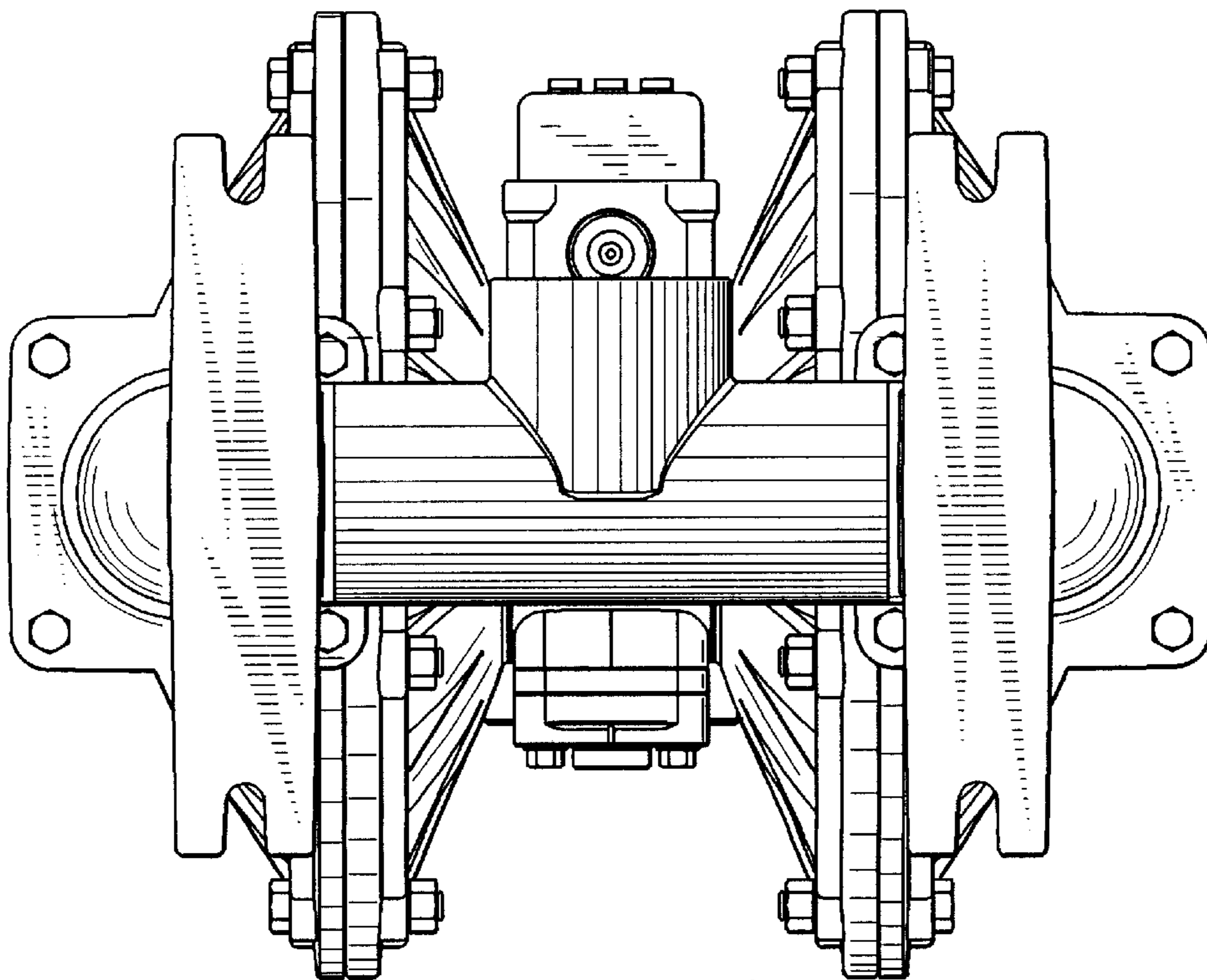
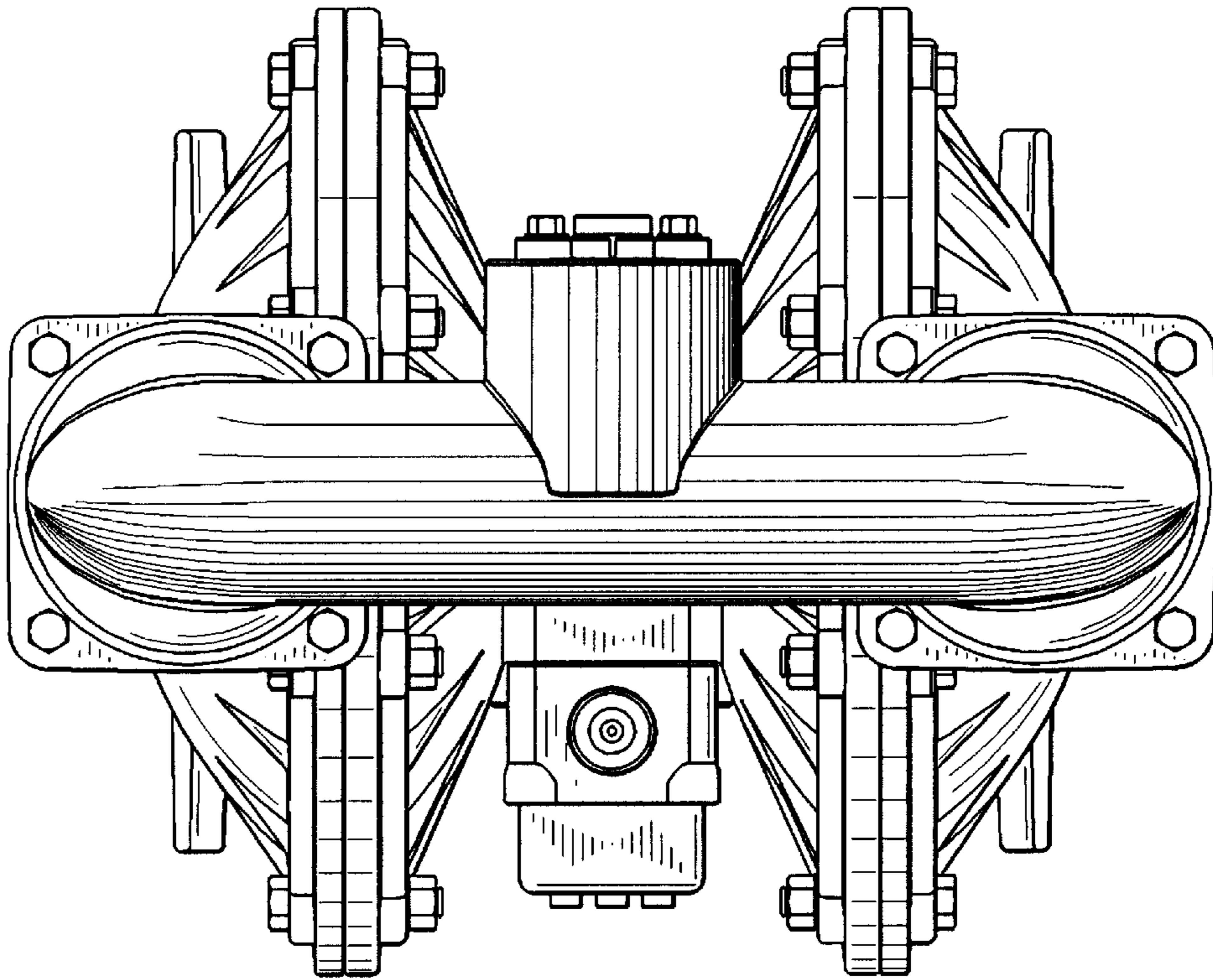


FIG. 6