



US00D435854S

(12) **United States Design Patent**
Takagi et al.

(10) **Patent No.:** **US D435,854 S**

(45) **Date of Patent:** **** Jan. 2, 2001**

(54) **DISC CARTRIDGE**

(75) Inventors: **Hiroyoshi Takagi**, Kameoka; **Hikaru Mizutani**, Minou; **Kenji Ohta**, Otokuni; **Noriaki Kitani**, Hirakata; **Takao Enomoto**, Takatsuki; **Hiroshi Nakashima**, Hirakata; **Yasushi Kojima**, Nishinomiya; **Toshiyuki Toyofuku**, Hachioji, all of (JP)

(73) Assignees: **Hitachi Maxell, Ltd.**; **Sanyo Electric Co.,Ltd.**, both of Osaka-fu; **Olympus Optical Co., Ltd.**, Tokyo, all of (JP)

(**) Term: **14 Years**

(21) Appl. No.: **29/116,510**

(22) Filed: **Jan. 6, 1999**

(51) **LOC (7) Cl.** **14-02**

(52) **U.S. Cl.** **D14/480**

(58) **Field of Search** D14/432-3, 435, D14/478-80; D6/626-7; 360/60, 129, 132, 133, 135, 97.01-99.12; 206/312, 307, 308.1, 308.2, 472; 369/291, 273, 77.2, 272

(56) **References Cited**

U.S. PATENT DOCUMENTS

- D. 271,298 * 11/1983 Fujimoto .
- D. 298,251 * 10/1988 Kato et al. .
- D. 312,081 * 11/1990 Yukawa .
- D. 316,711 * 5/1991 Kantrowitz .
- D. 347,215 * 5/1994 Ikenaga .
- D. 367,474 * 2/1996 Ikenaga .
- D. 387,743 * 12/1997 Takahashi .
- D. 392,954 * 3/1998 Ikenaga .
- D. 410,644 * 6/1999 Iftikar et al. .

D. 422,997 * 4/2000 Isozaki et al. .

* cited by examiner

Primary Examiner—M. H. Tung

(74) *Attorney, Agent, or Firm*—Antonelli, Terry, Stout & Kraus, LLP

(57) **CLAIM**

The ornamental design for a disc cartridge, as shown and described.

DESCRIPTION

FIG. 1 is a front, top and right side perspective view of one embodiment of a disc cartridge showing our new design on an enlarged scale;

FIG. 2 is a front elevational view of the one embodiment;

FIG. 3 is a top plan view of the one embodiment;

FIG. 4 is a bottom plan view of the one embodiment;

FIG. 5 is a rear view of the one embodiment;

FIG. 6 is a left side elevational view of the one embodiment;

FIG. 7 is a right side elevational view of the one embodiment;

FIG. 8 is a front, top and right side perspective view of another embodiment of a disc cartridge showing our new design on an enlarged scale;

FIG. 9 is a front elevational view of the another embodiment;

FIG. 10 is a top plan view of the another embodiment;

FIG. 11 is a bottom plan view of the another embodiment;

FIG. 12 is a rear view of the another embodiment;

FIG. 13 is a left side elevational view of the another embodiment; and,

FIG. 14 is a right side elevational view of the another embodiment.

1 Claim, 4 Drawing Sheets

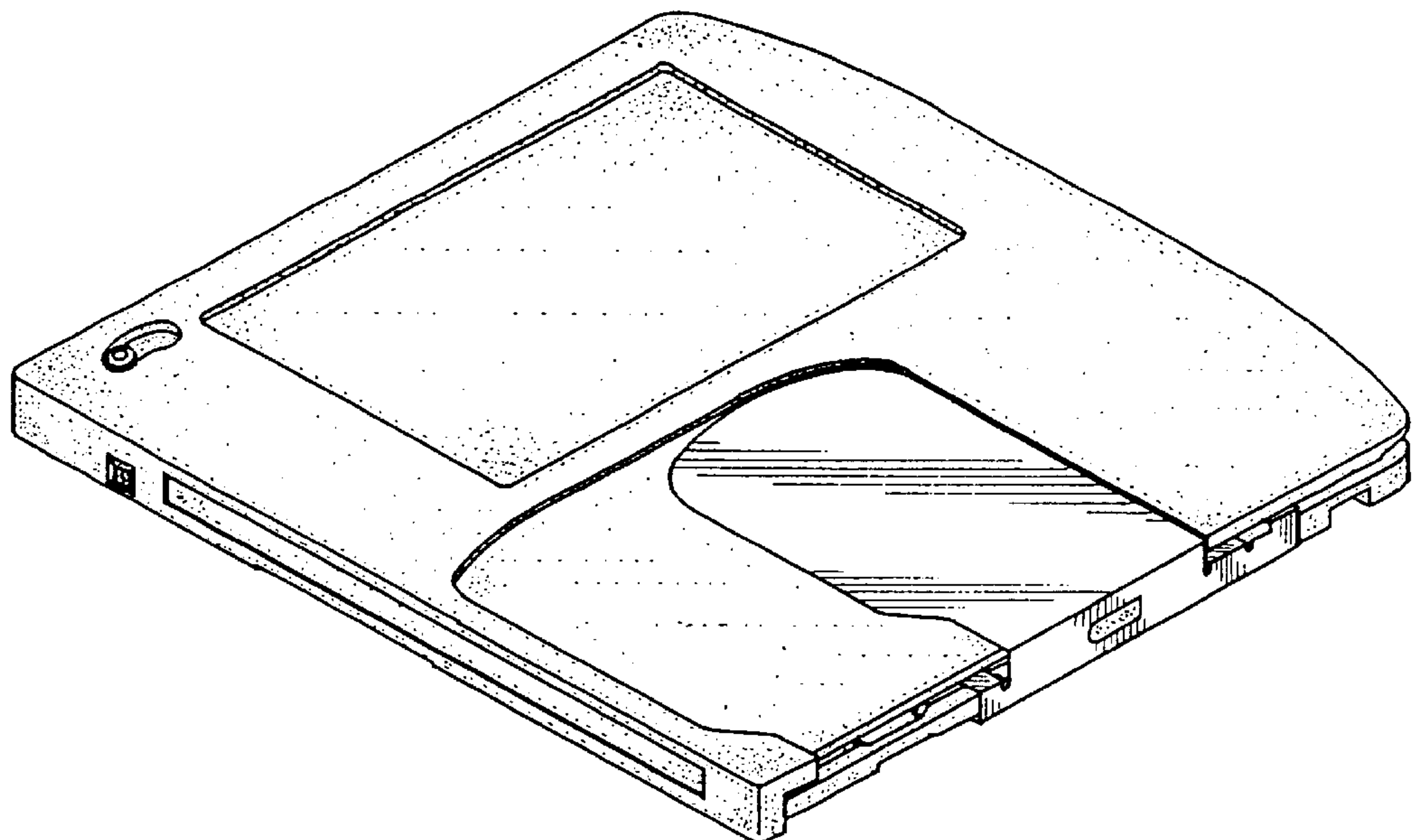


FIG. 1

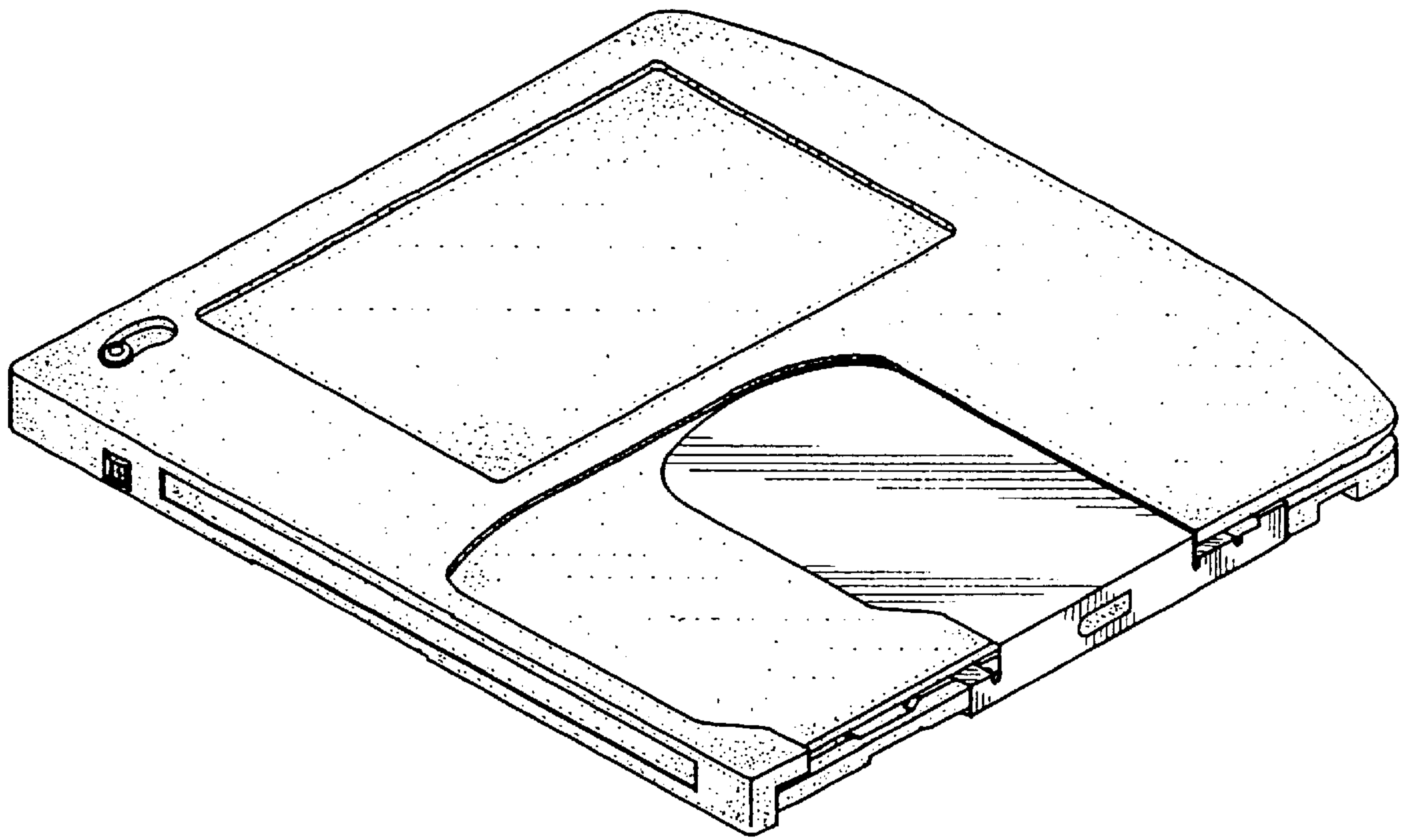


FIG. 6



FIG. 2

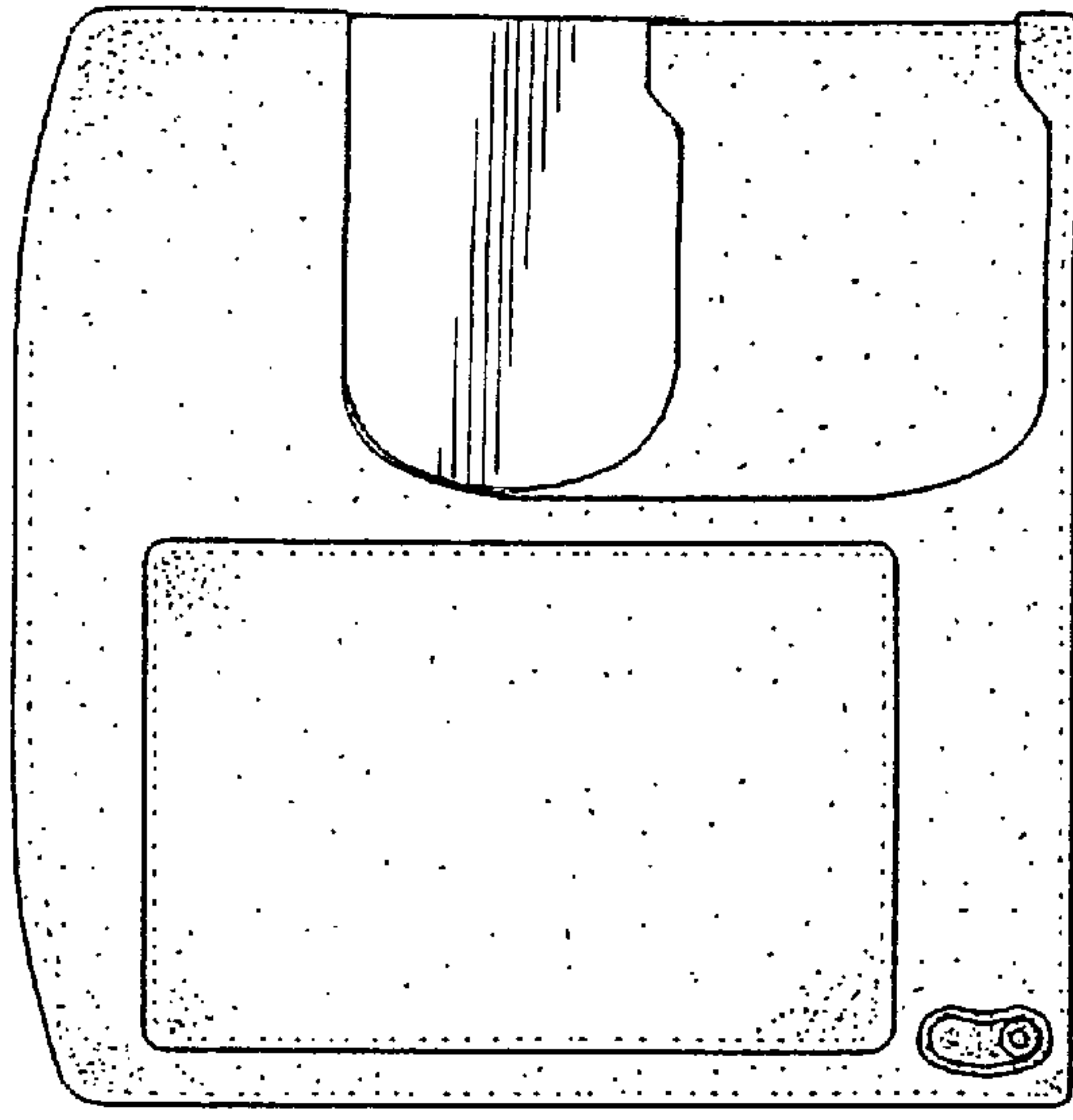


FIG. 7

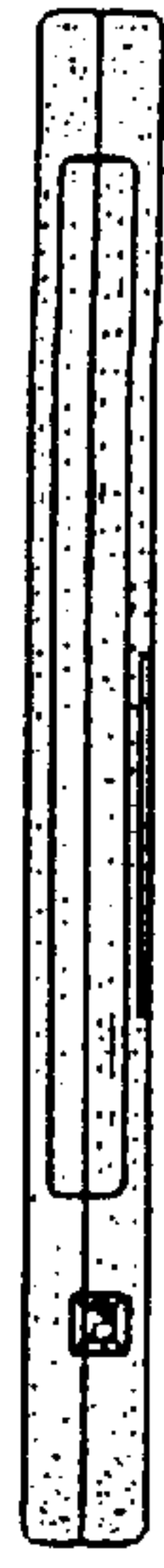


FIG. 3



FIG. 4



FIG. 5

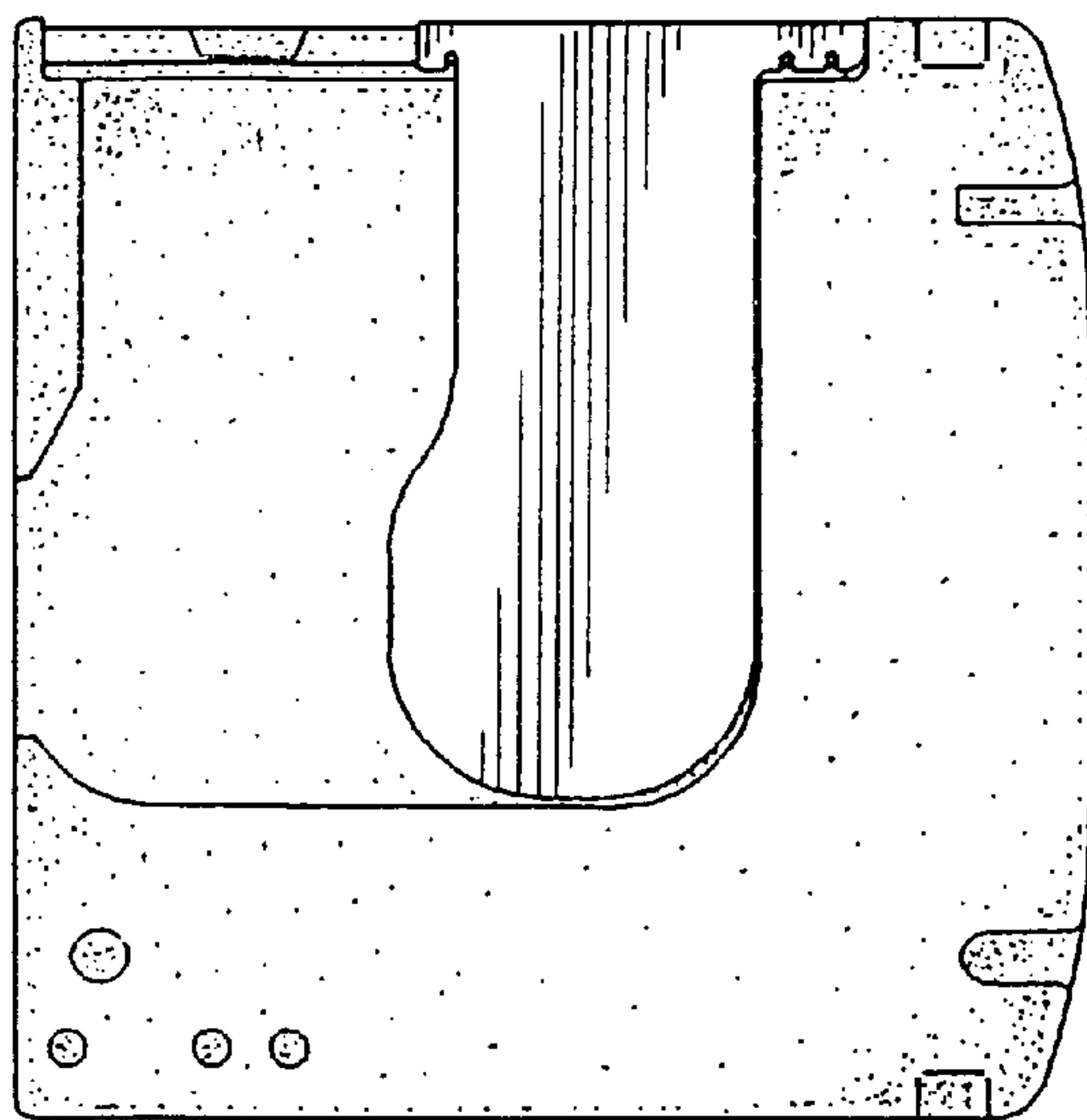


FIG. 8

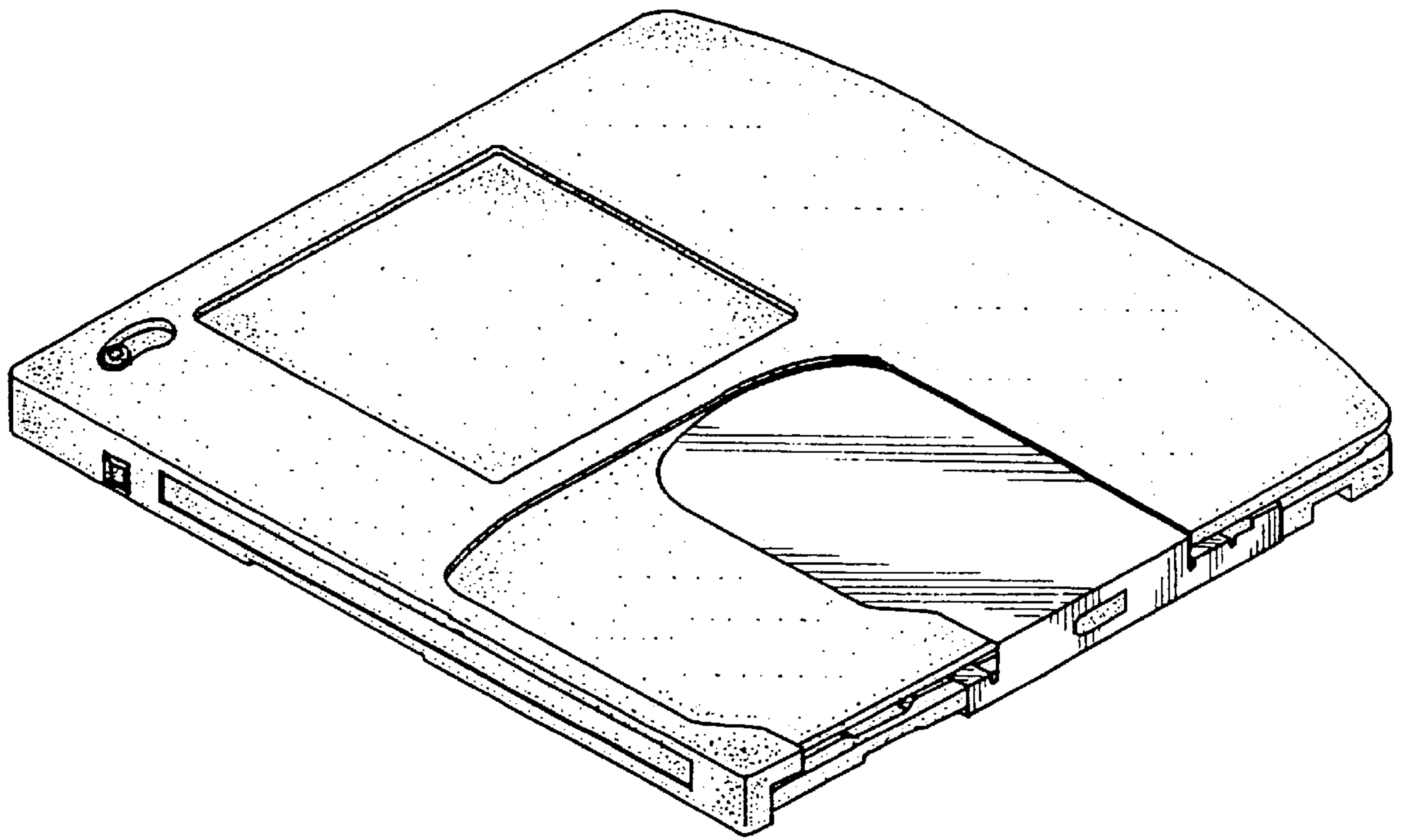


FIG. 13

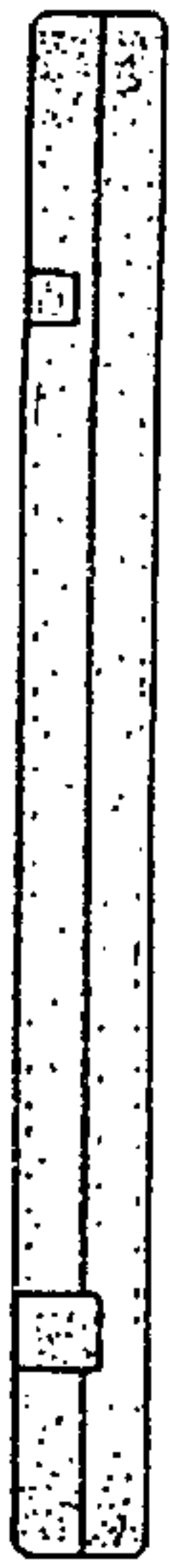


FIG. 9

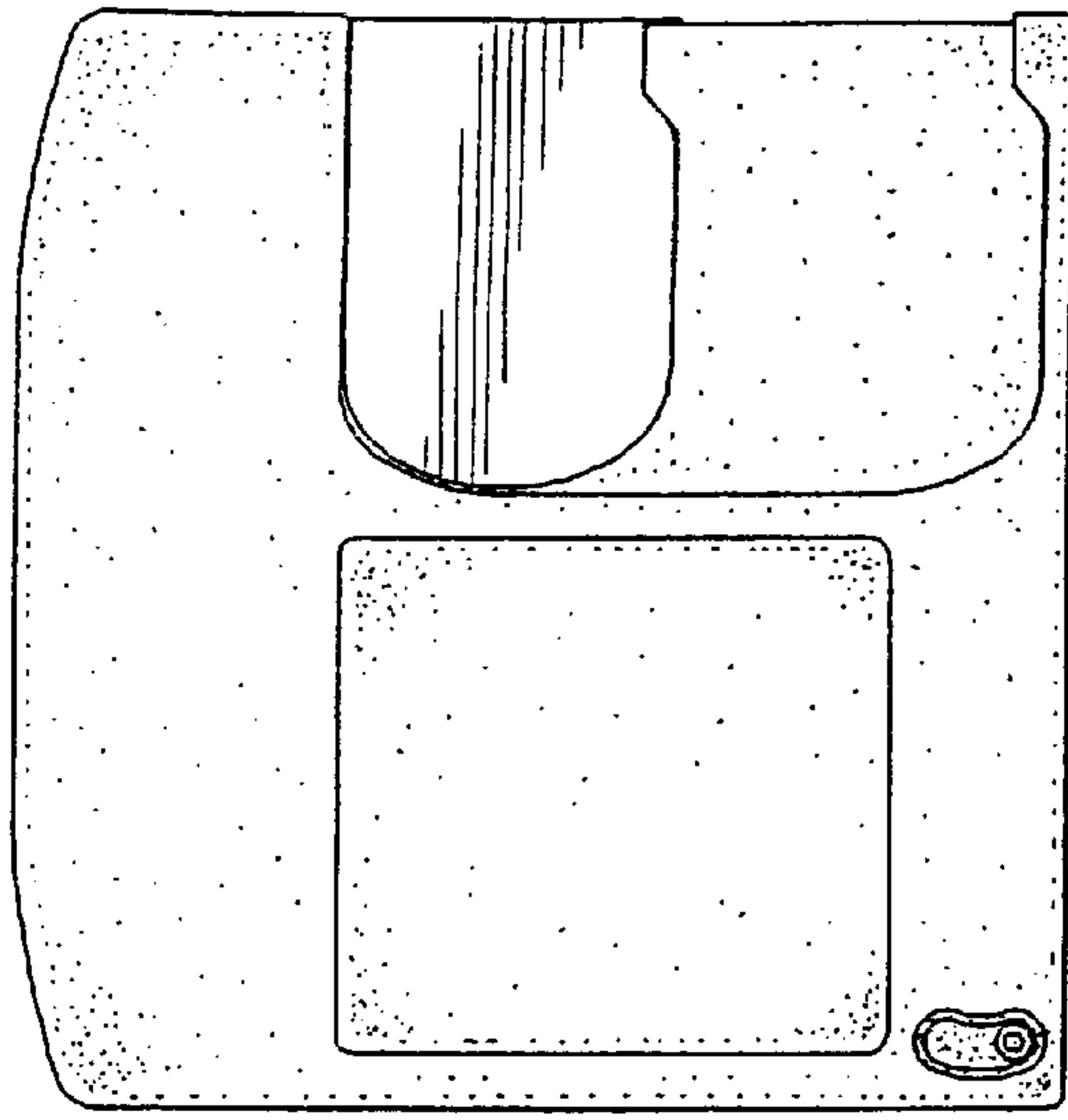


FIG. 14

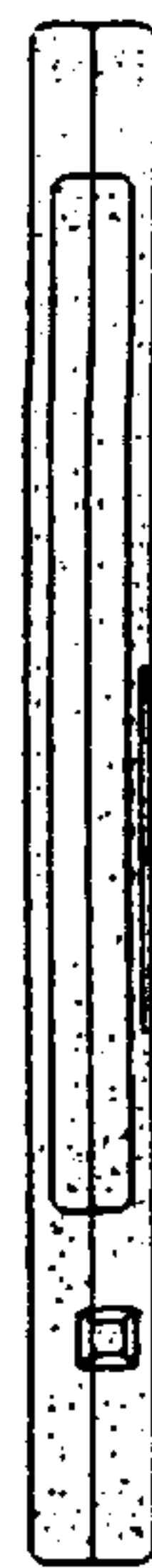


FIG. 10



FIG. 11

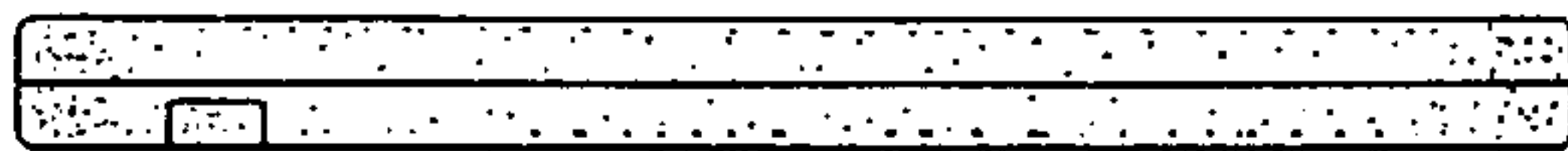


FIG. 12

