



US00D435849S

(12) **United States Design Patent**
Tasi

(10) **Patent No.:** **US D435,849 S**

(45) **Date of Patent:** **** Jan. 2, 2001**

(54) **SCANNER**

D. 370,008 * 5/1996 Cheng D14/422

(75) Inventor: **Chung-Hua Tasi, Hsinchu (TW)**

* cited by examiner

(73) Assignee: **Portable Peripheral Co., Ltd. (TW)**

Primary Examiner—Freda Nunn

(**) Term: **14 Years**

(74) *Attorney, Agent, or Firm*—Ostrolenk, Faber, Gerb & Soffen, LLP

(21) Appl. No.: **29/119,815**

(57) **CLAIM**

(22) Filed: **Mar. 8, 2000**

The ornamental design for a scanner, as shown and described.

(51) **LOC (7) Cl.** **14-02**

DESCRIPTION

(52) **U.S. Cl.** **D14/422**

FIG. 1 is a perspective view of a scanner showing my new design;

(58) **Field of Search** D14/420, 421,
D14/422, 424, 425; D18/36, 37, 39, 54;
250/556; 355/64, 65, 75, 81

FIG. 2 is right side elevational view thereof;

FIG. 3 is a top view thereof;

FIG. 4 is a front elevational view thereof;

FIG. 5 is a bottom view thereof;

FIG. 6 is a left side elevational view thereof; and,

FIG. 7 is a rear elevational view thereof.

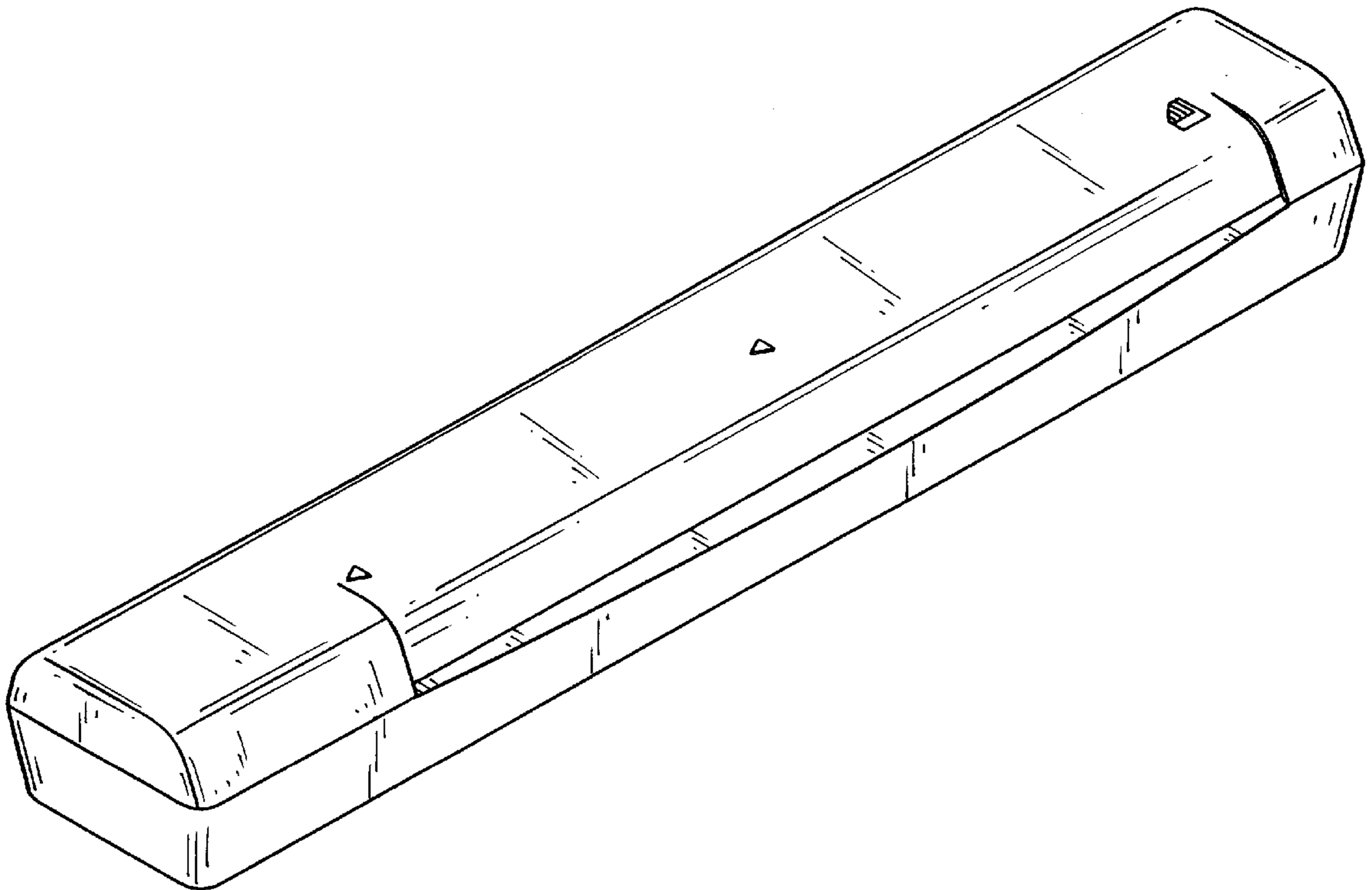
(56) **References Cited**

U.S. PATENT DOCUMENTS

D. 295,416 * 4/1988 Glaberson D14/422

D. 340,232 * 10/1993 Yoshida D14/422

1 Claim, 7 Drawing Sheets



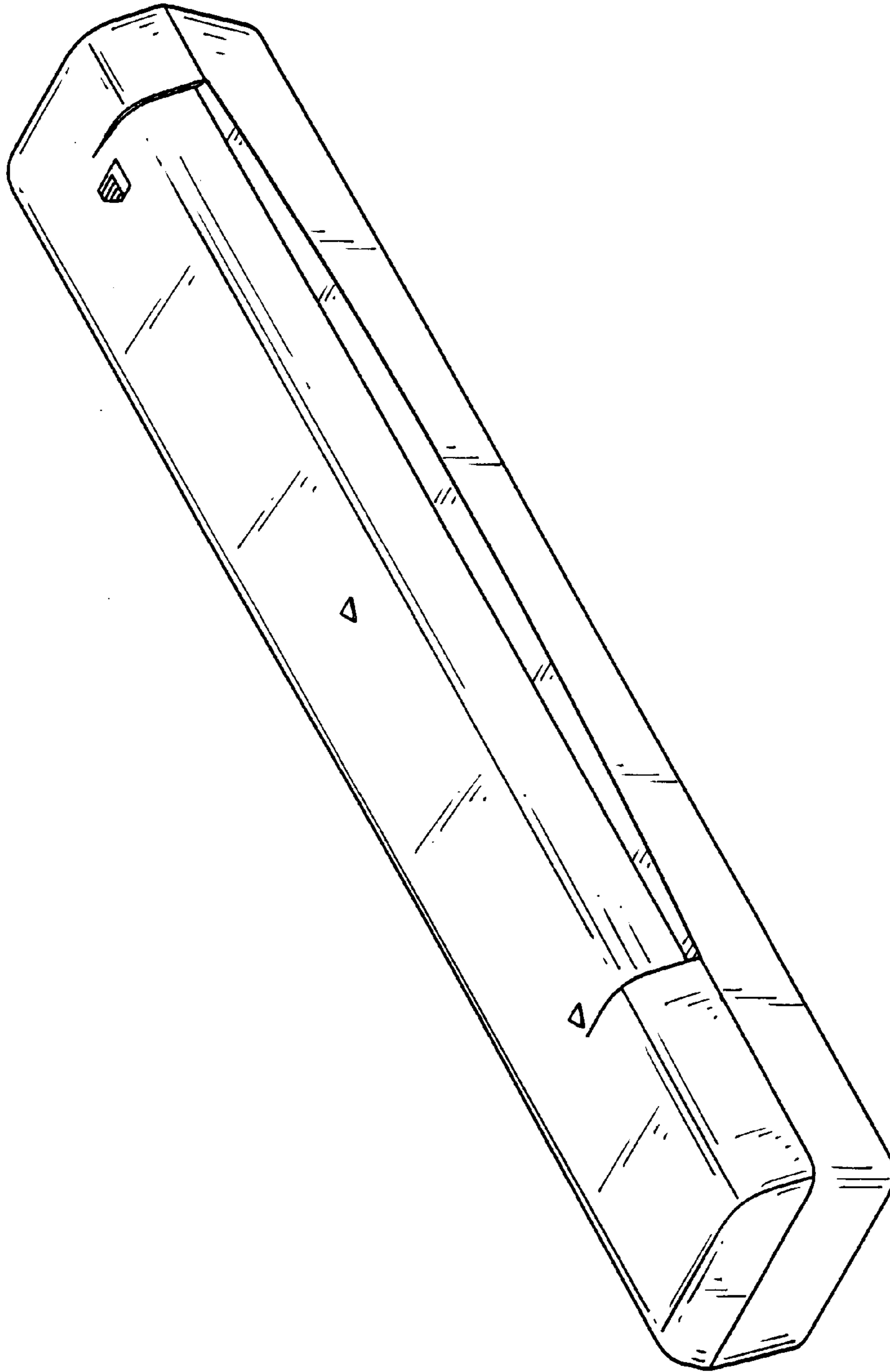


FIG. 1

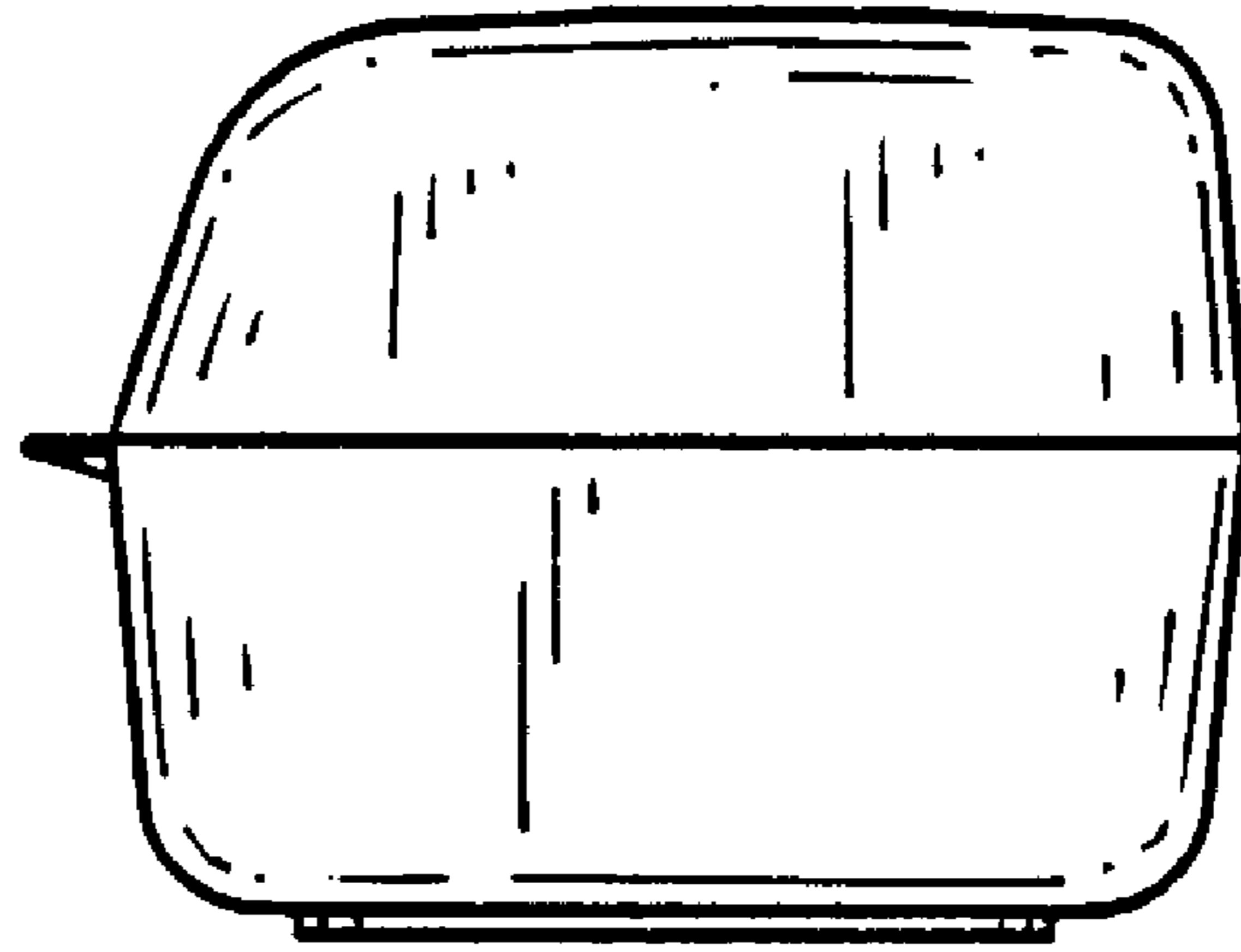


FIG. 2

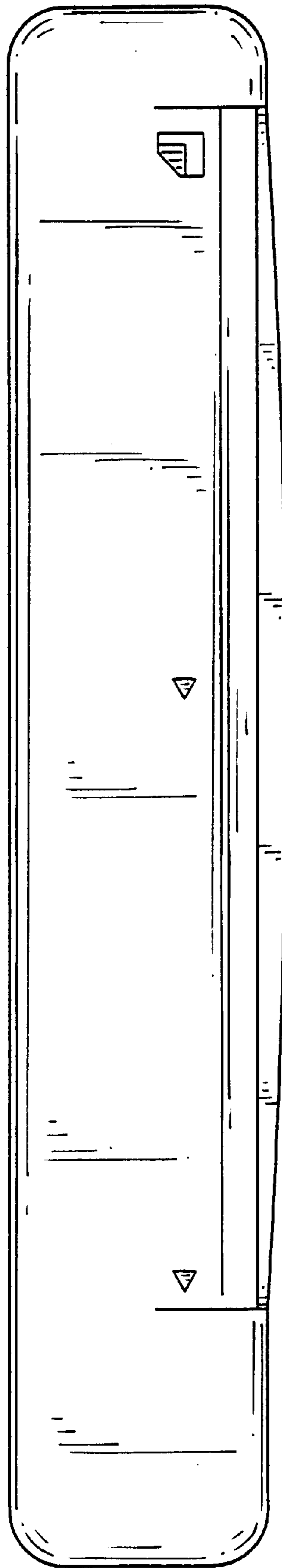


FIG. 3

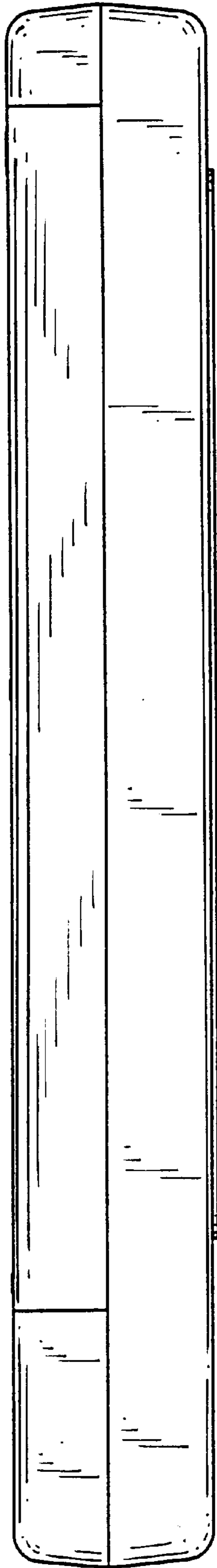


FIG. 4

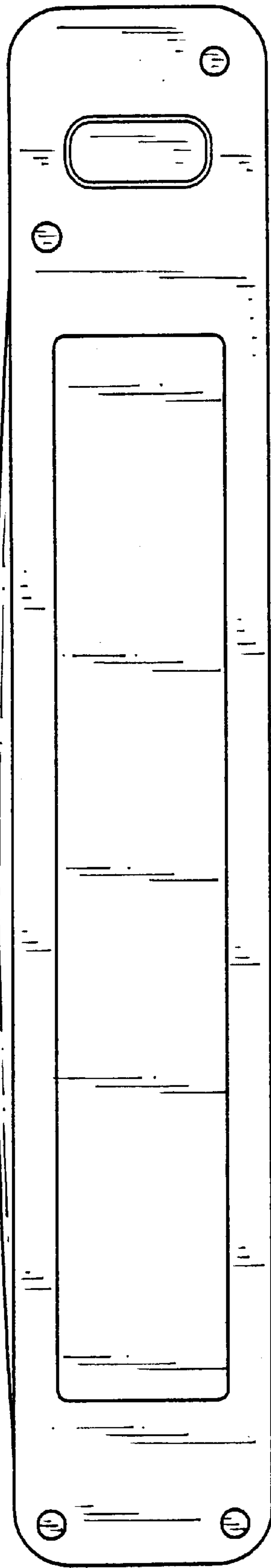


FIG. 5

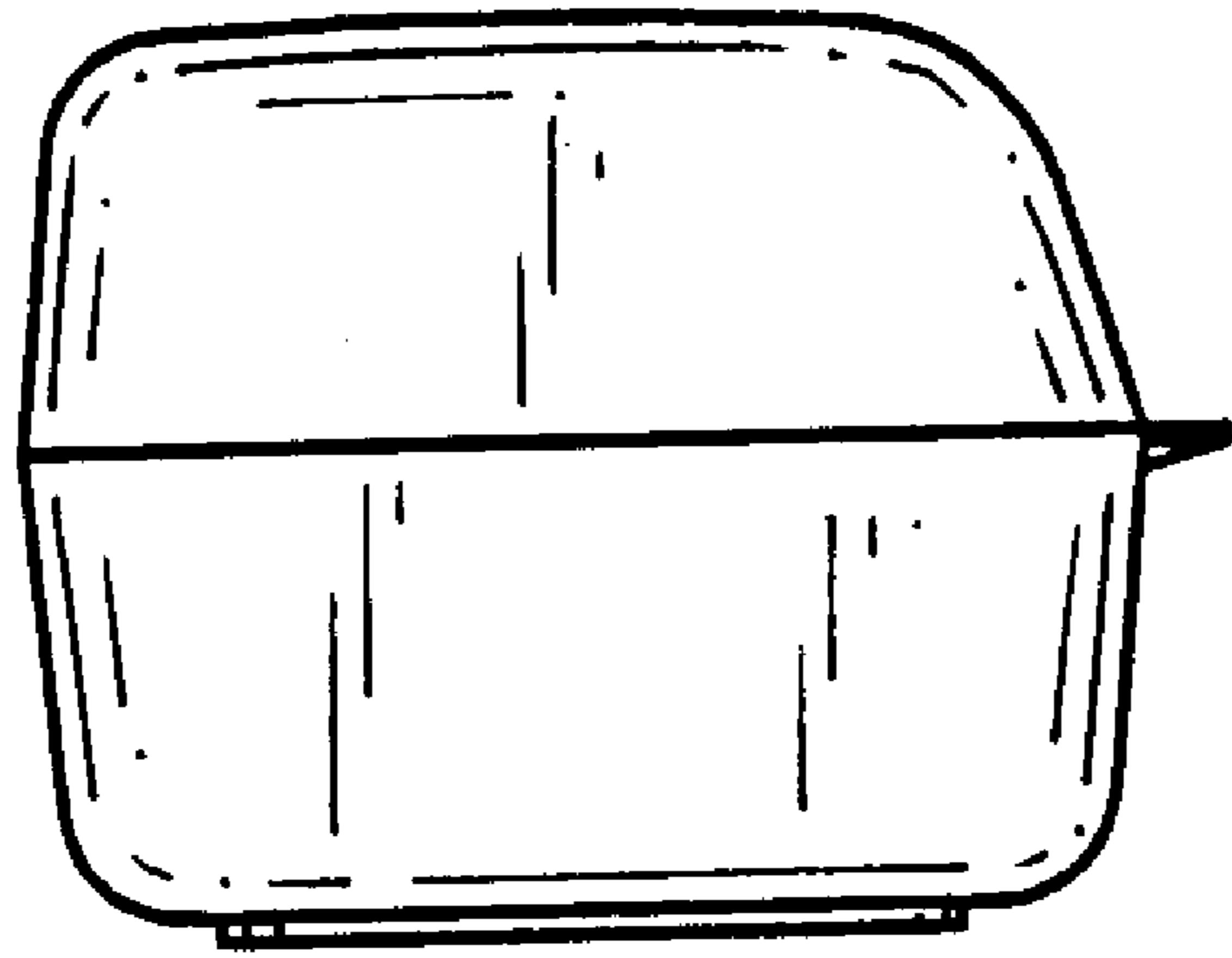


FIG. 6

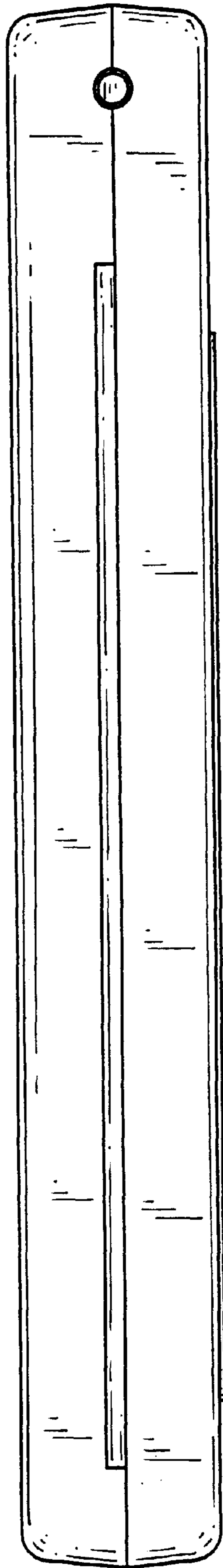


FIG. 7