



US00D435846S

(12) **United States Design Patent**
Jean et al.

(10) **Patent No.:** **US D435,846 S**
(45) **Date of Patent:** **** Jan. 2, 2001**

(54) **COMPUTER**

(75) Inventors: **Paul Jean**, Taipei; **Ko Chien Kan**,
Tau-Yuan; **Ying Shen Yeh**, Taipei, all of
(TW)

(73) Assignee: **Hon Hai Precision Ind. Co., Ltd.**,
Taipei Hsien (TW)

(**) Term: **14 Years**

(21) Appl. No.: **29/122,359**

(22) Filed: **Apr. 25, 2000**

(30) **Foreign Application Priority Data**

Mar. 29, 2000 (TW) 089301996

(51) **LOC (7) Cl.** **14-02**

(52) **U.S. Cl.** **D14/355**

(58) **Field of Search** D14/348, 355,
D14/356, 363; D13/162, 184, 199; 312/223.2;
360/99.12; 369/34, 36; 361/690-696

(56) **References Cited**

U.S. PATENT DOCUMENTS

D. 314,188 * 1/1991 Izaki D14/355

D. 347,212 * 5/1994 Riley D14/355
D. 384,944 * 10/1997 Brezovar D14/348
D. 412,889 * 8/1999 Brunner D14/348
D. 413,873 * 9/1999 Daly et al. D14/348

* cited by examiner

Primary Examiner—Freda Nunn

(74) *Attorney, Agent, or Firm*—Wei Te Chung

(57) **CLAIM**

The ornamental design for a computer, as shown.

DESCRIPTION

FIG. 1 is a perspective view of a computer showing our new design;

FIG. 2 is a front elevational view thereof;

FIG. 3 is a rear elevational view thereof;

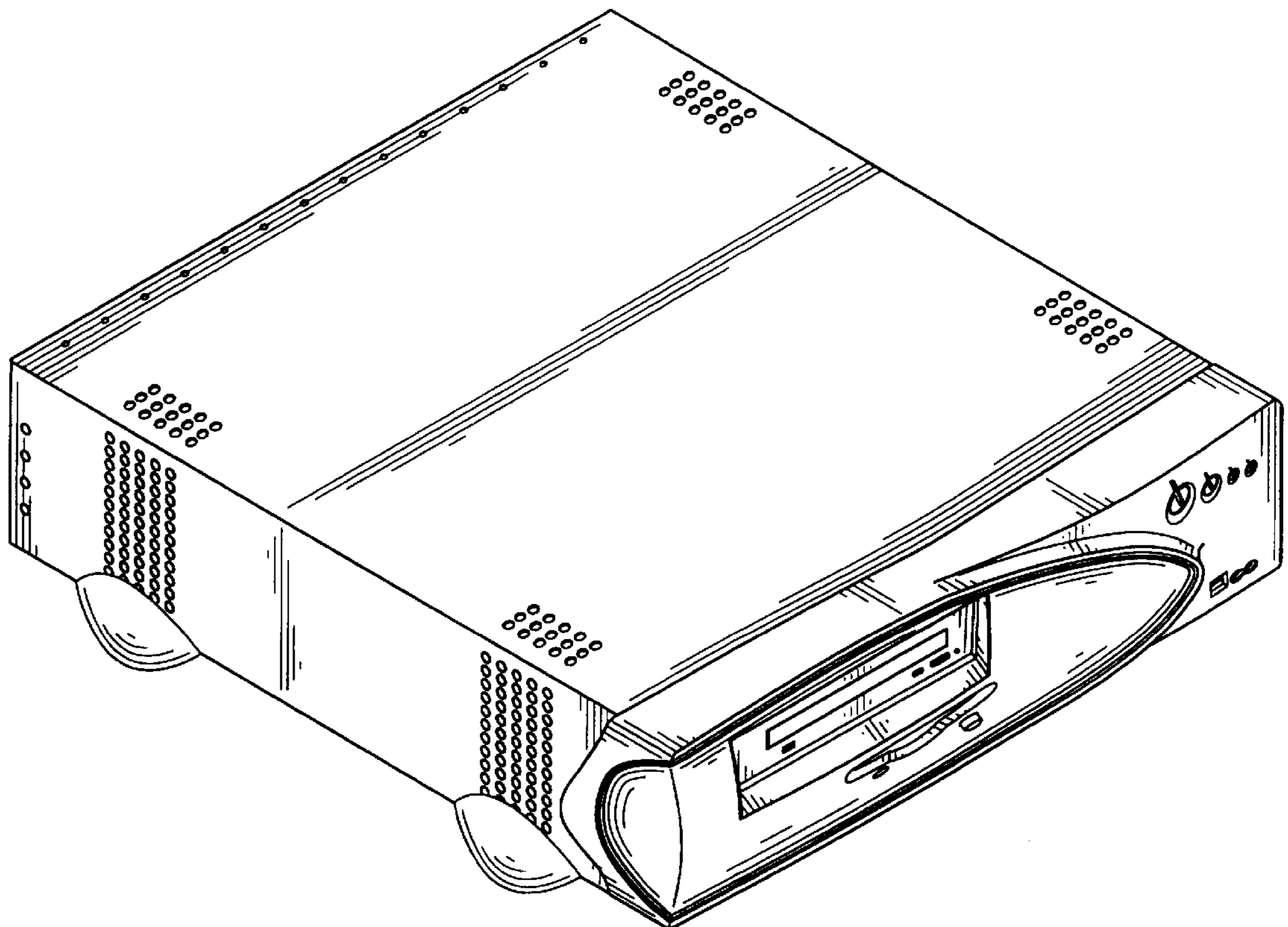
FIG. 4 is a left side elevational view thereof;

FIG. 5 is a right side elevational view thereof;

FIG. 6 is a top plan view thereof; and,

FIG. 7 is a bottom plan view thereof.

1 Claim, 7 Drawing Sheets



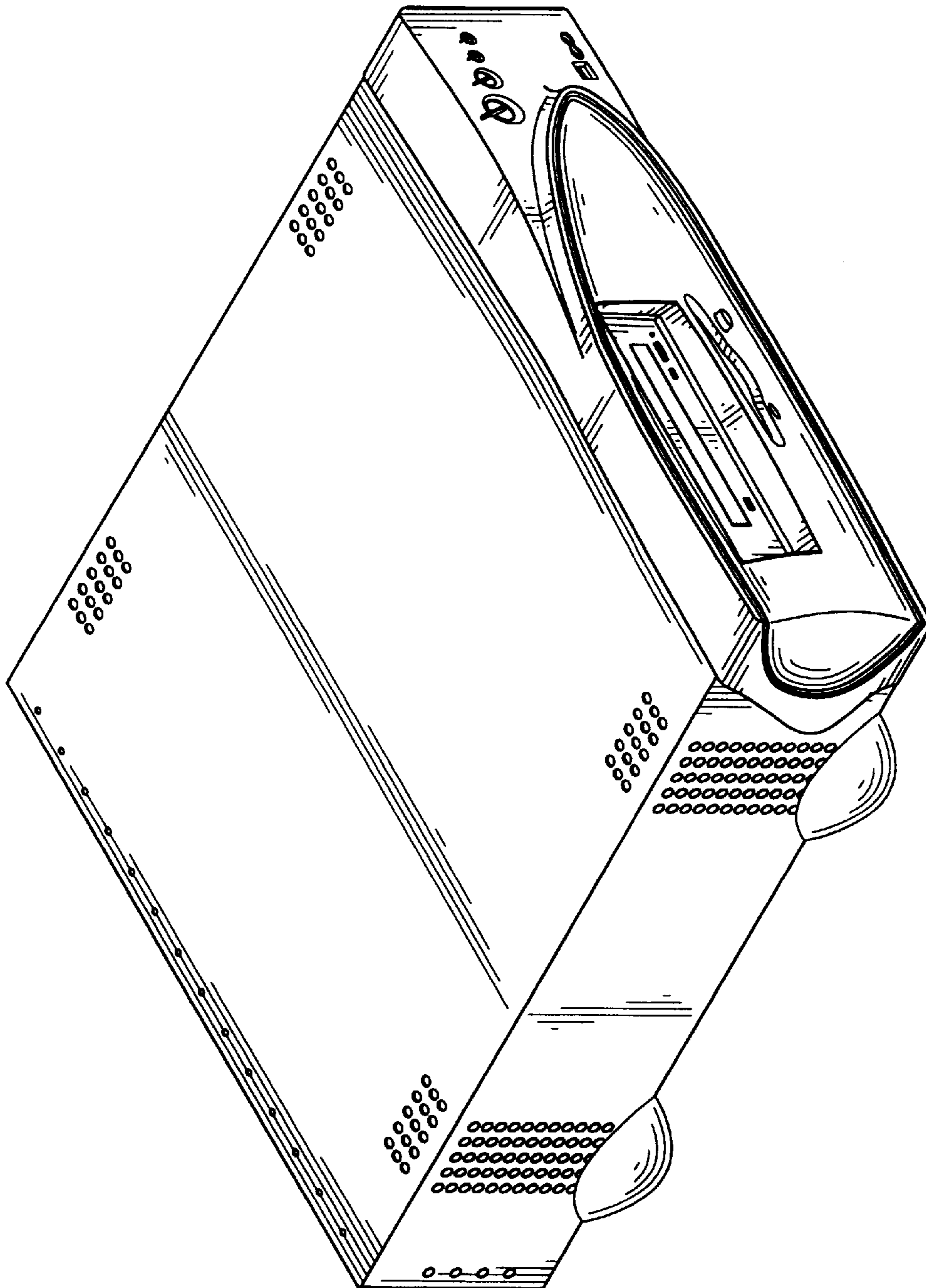


FIG. 1

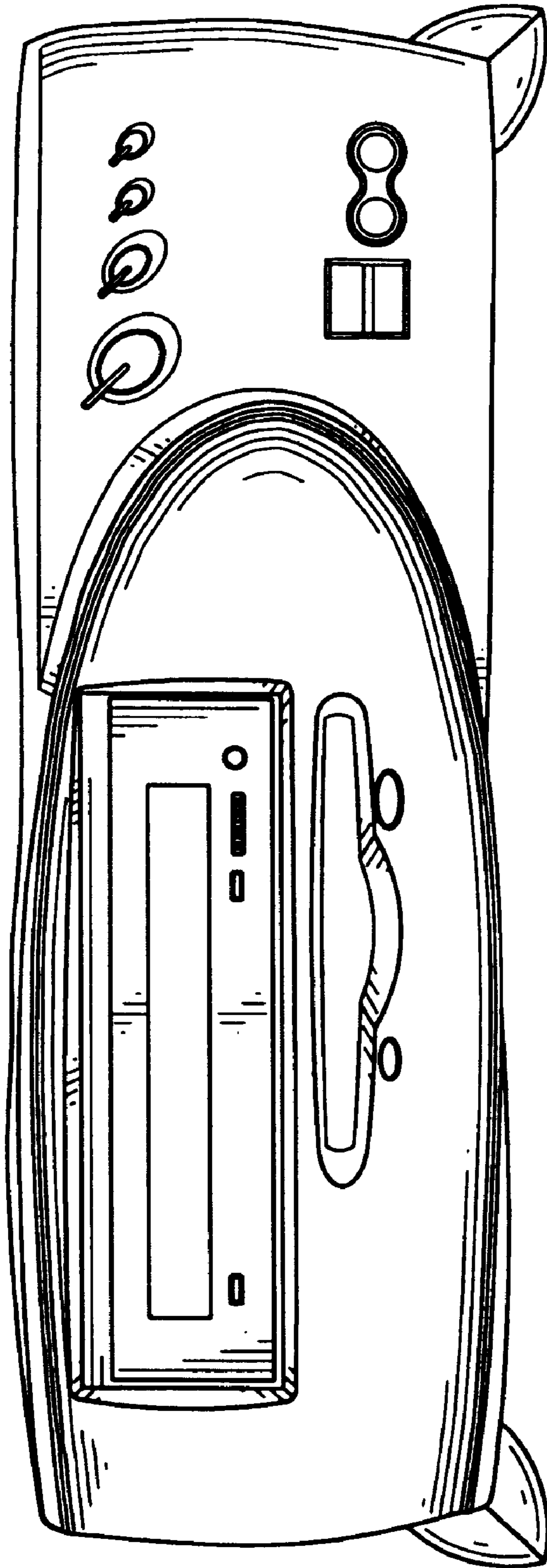


FIG. 2

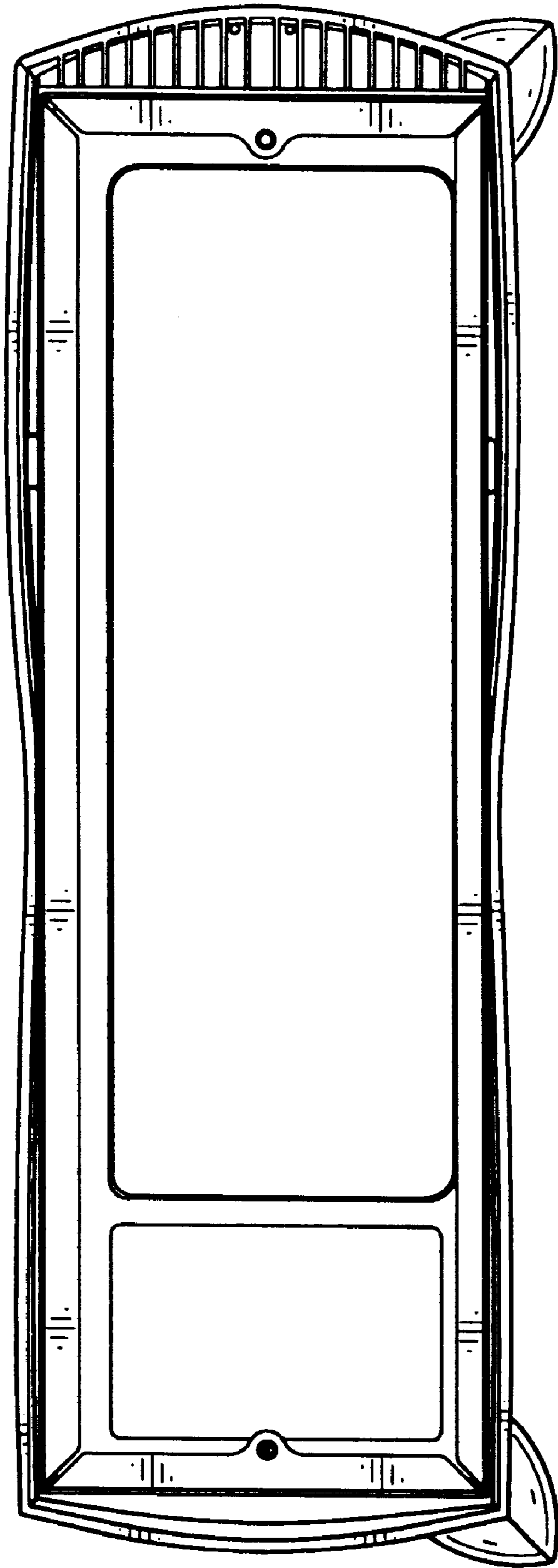


FIG. 3

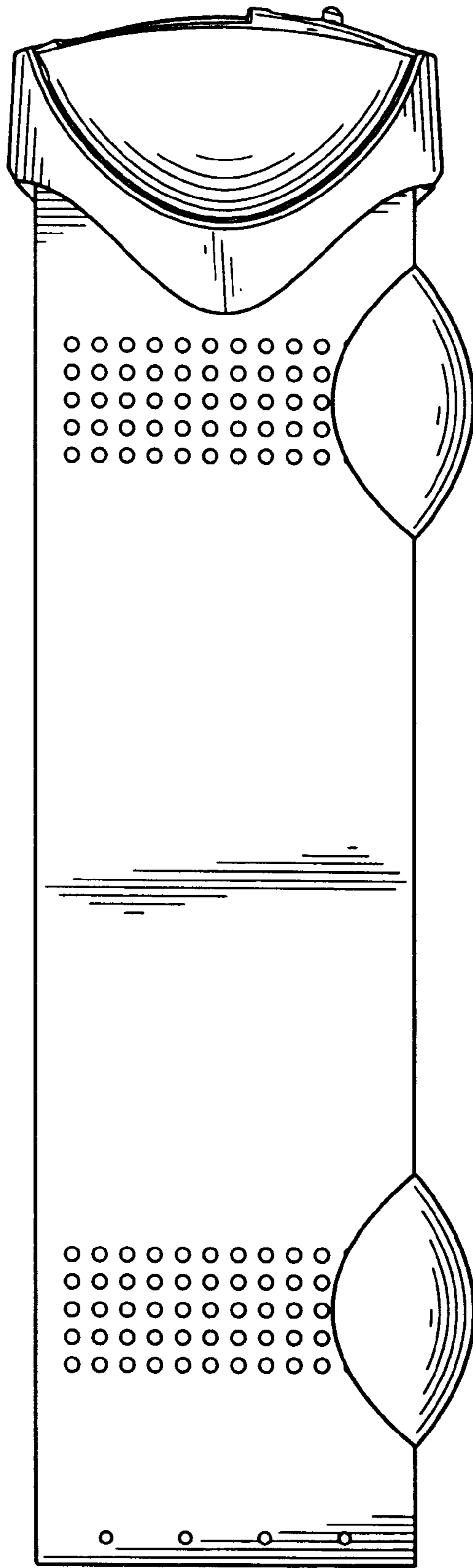


FIG. 4

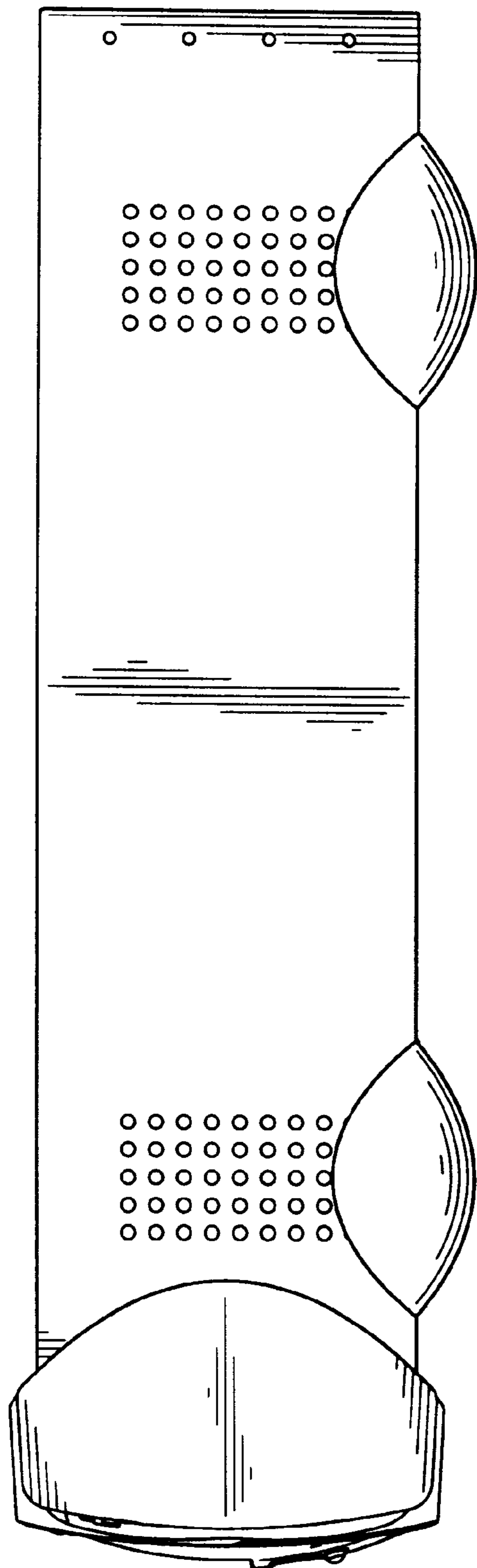


FIG. 5

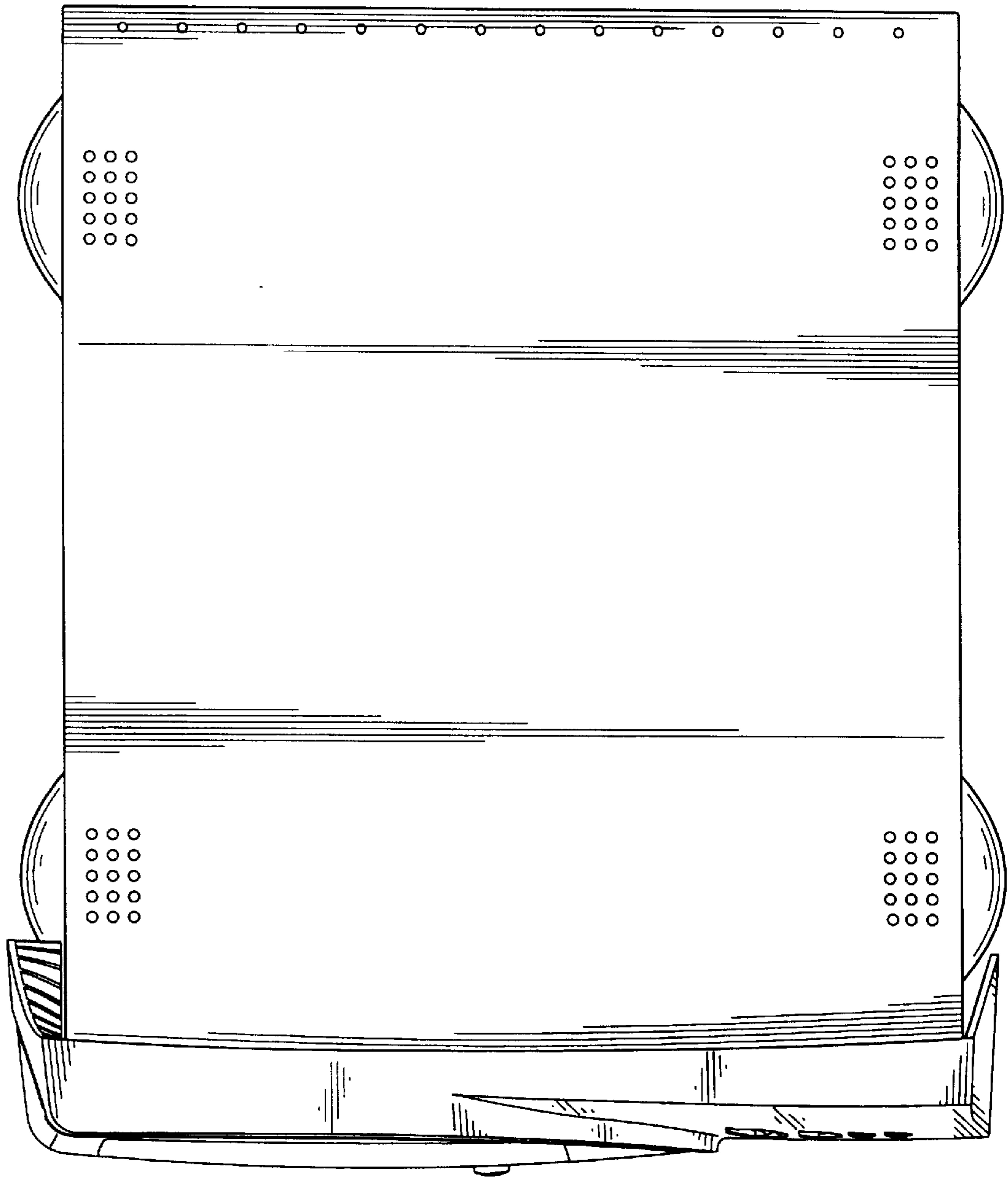


FIG. 6

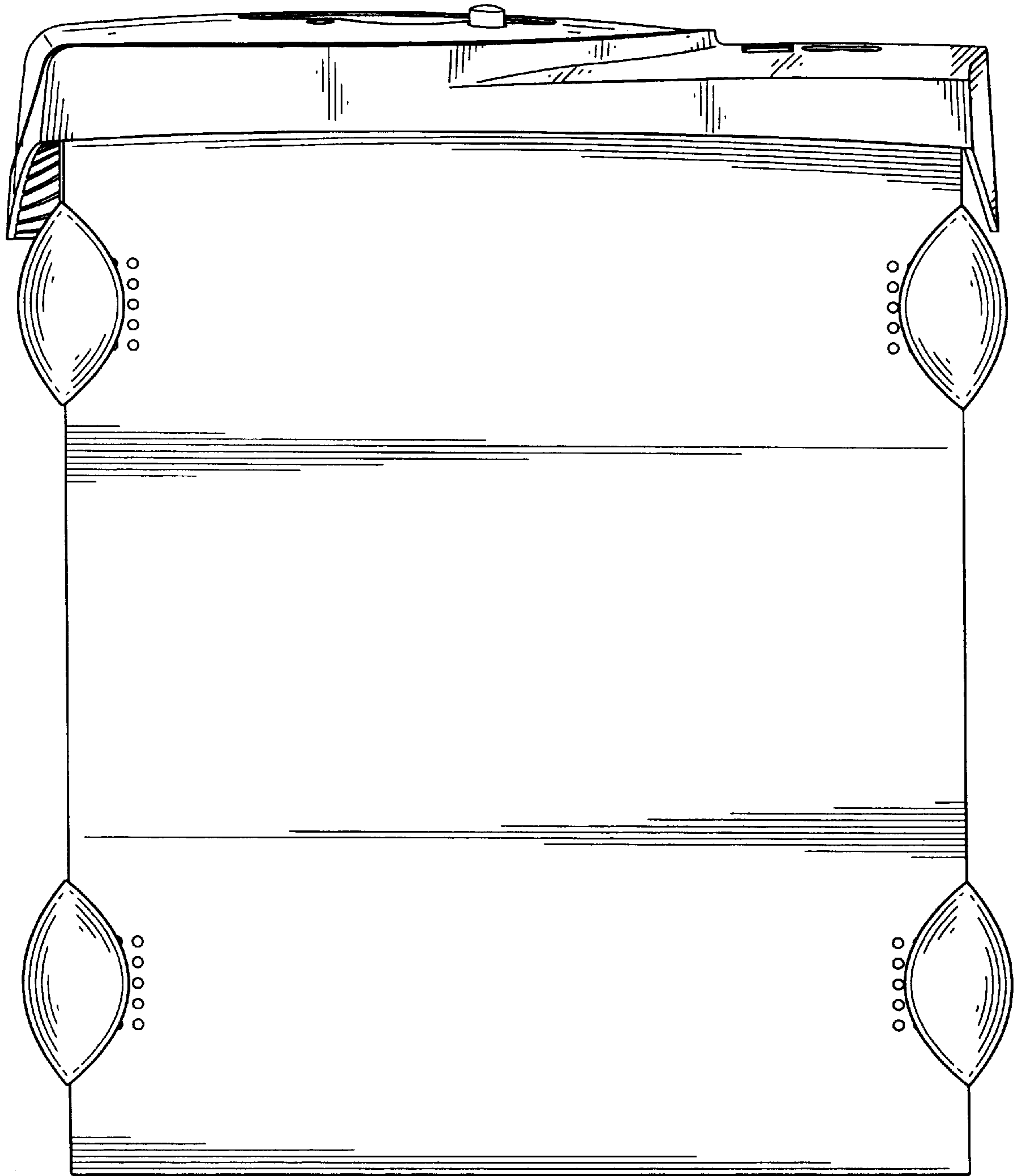


FIG. 7