



US00D435843S

(12) **United States Design Patent**
Andre et al.

(10) **Patent No.:** **US D435,843 S**

(45) **Date of Patent:** **** Jan. 2, 2001**

(54) **LAPTOP COMPUTER**

(75) Inventors: **Bartley K. Andre**, Menlo Park; **Daniel J. Coster**, San Francisco; **Daniele De Iuliis**, San Francisco; **Richard P. Howarth**, San Francisco; **Jonathan P. Ive**, San Francisco; **Matthew Dean Rohrbach**, San Francisco; **Douglas B. Satzger**, San Carlos; **Christopher J. Stringer**, Pacifica, all of CA (US)

(73) Assignee: **Apple Computer, Inc.**, Cupertino, CA (US)

(**) Term: **14 Years**

(21) Appl. No.: **29/123,462**

(22) Filed: **May 18, 2000**

(51) **LOC (7) Cl.** **14-02**

(52) **U.S. Cl.** **D14/318**

(58) **Field of Search** D14/318, 319, D14/322, 324, 315, 328, 326, 345; D18/1, 2, 7; 235/145 A, 145 R; 341/22, 23; 345/104, 156, 168, 173; 361/680-686; 364/708.1; 400/486, 489

(56) **References Cited**

U.S. PATENT DOCUMENTS

D. 310,071 * 8/1990 Kit D14/315

D. 372,898 * 8/1996 Shan D14/345
D. 395,288 * 6/1998 Soderburg D14/326
D. 408,798 * 4/1999 Lee et al. D14/318

* cited by examiner

Primary Examiner—Freda Nunn

(74) *Attorney, Agent, or Firm*—Richard C. Liu

(57) **CLAIM**

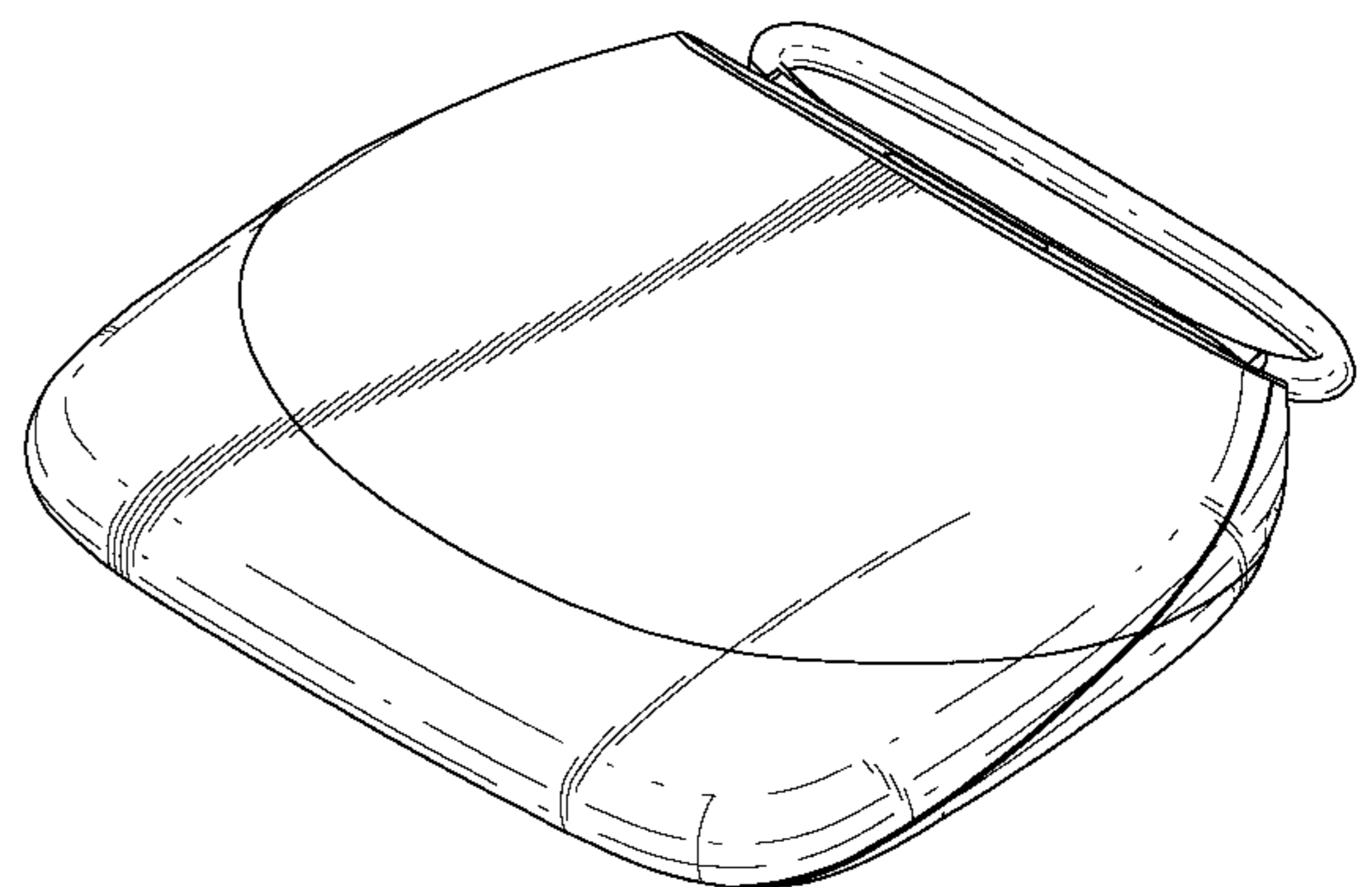
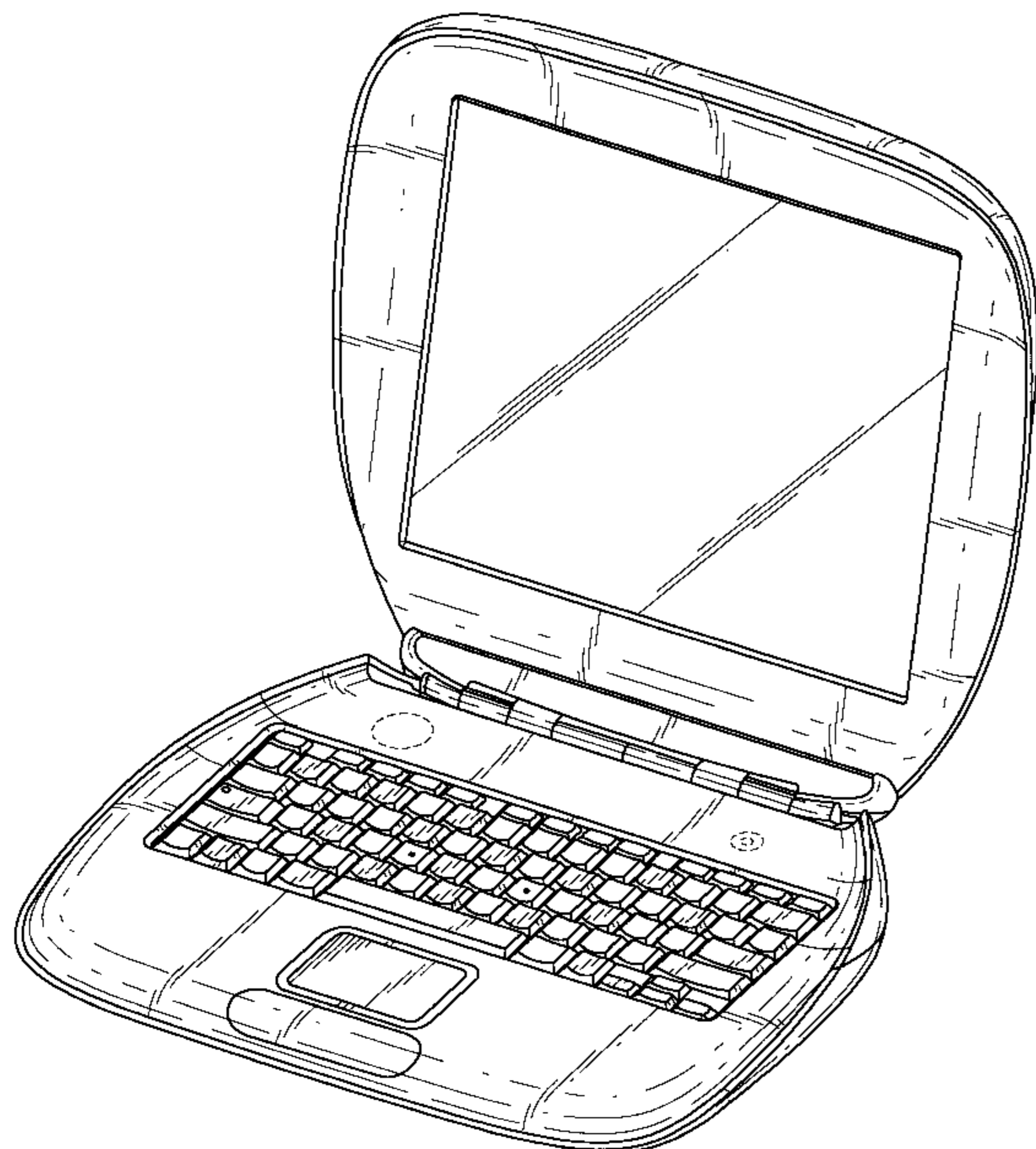
The ornamental design for a laptop computer, as shown and described.

DESCRIPTION

FIG. 1 is a front, right side perspective view of a laptop computer having its display housing opened; FIG. 2 is a rear, left side perspective view thereof; FIG. 3 is a front elevational view thereof; FIG. 4 is a top view thereof; FIG. 5 is a left side elevational view thereof; FIG. 6 is a right side elevational view thereof; FIG. 7 is a rear elevational view thereof; FIG. 8 is a bottom view thereof; FIG. 9 is a front, right side perspective view of the laptop computer having its display housing closed; and, FIG. 10 is a front, right side perspective view of the laptop computer having its display housing closed and handle extended.

The broken lines are shown in the views for illustrative purposes only and form no part of the claimed design.

1 Claim, 10 Drawing Sheets



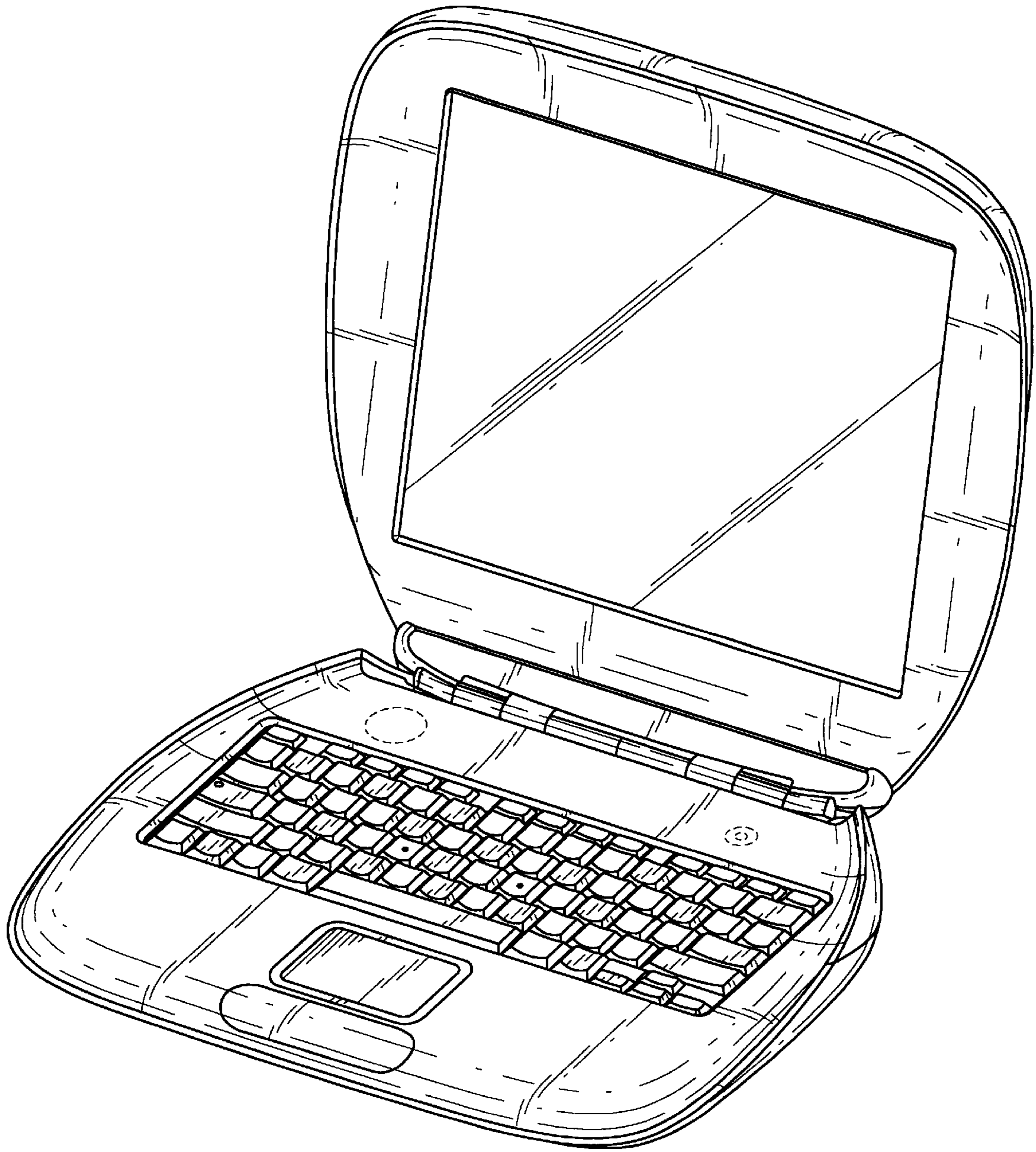


FIG. 1

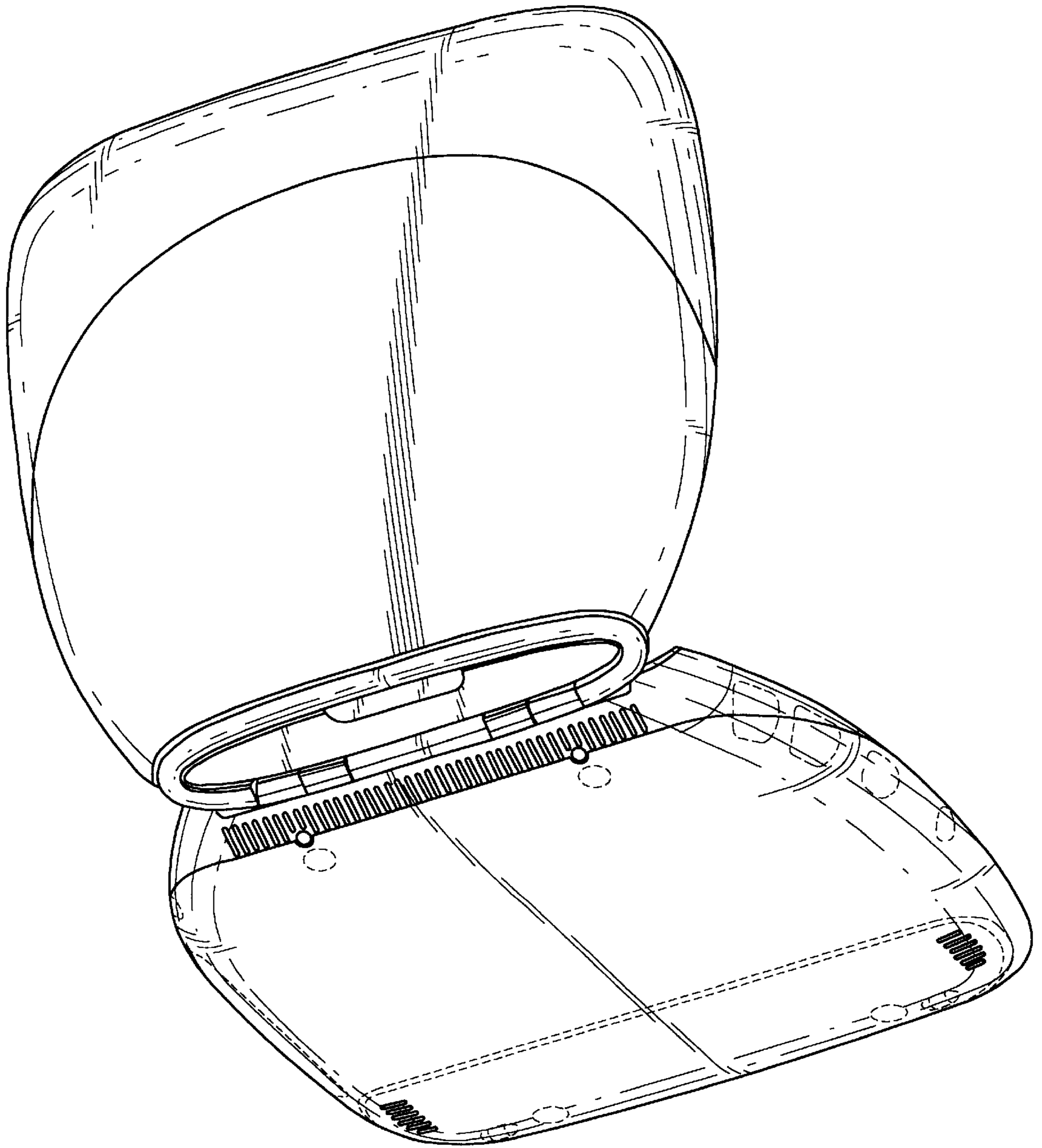


FIG. 2

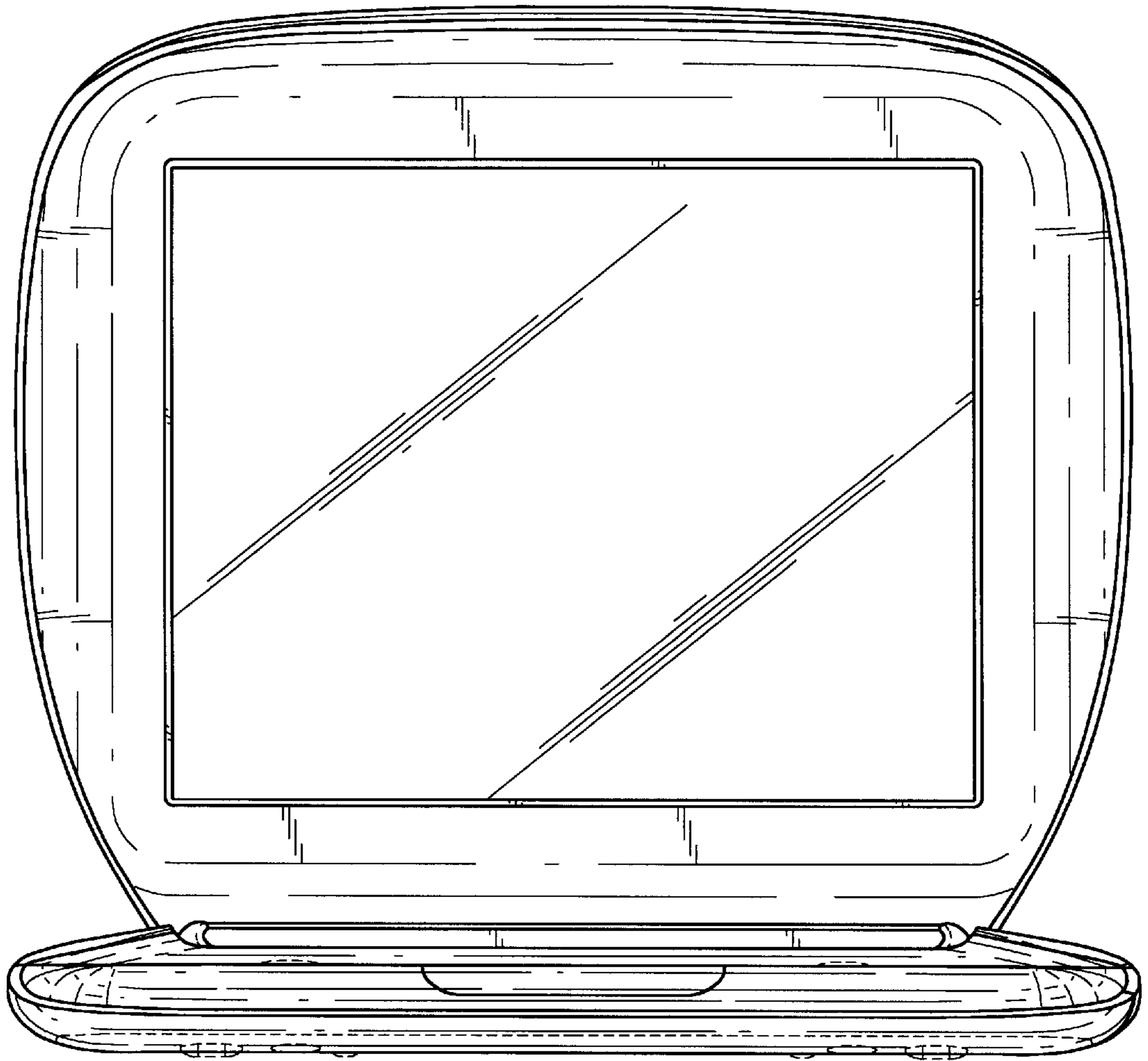


FIG. 3

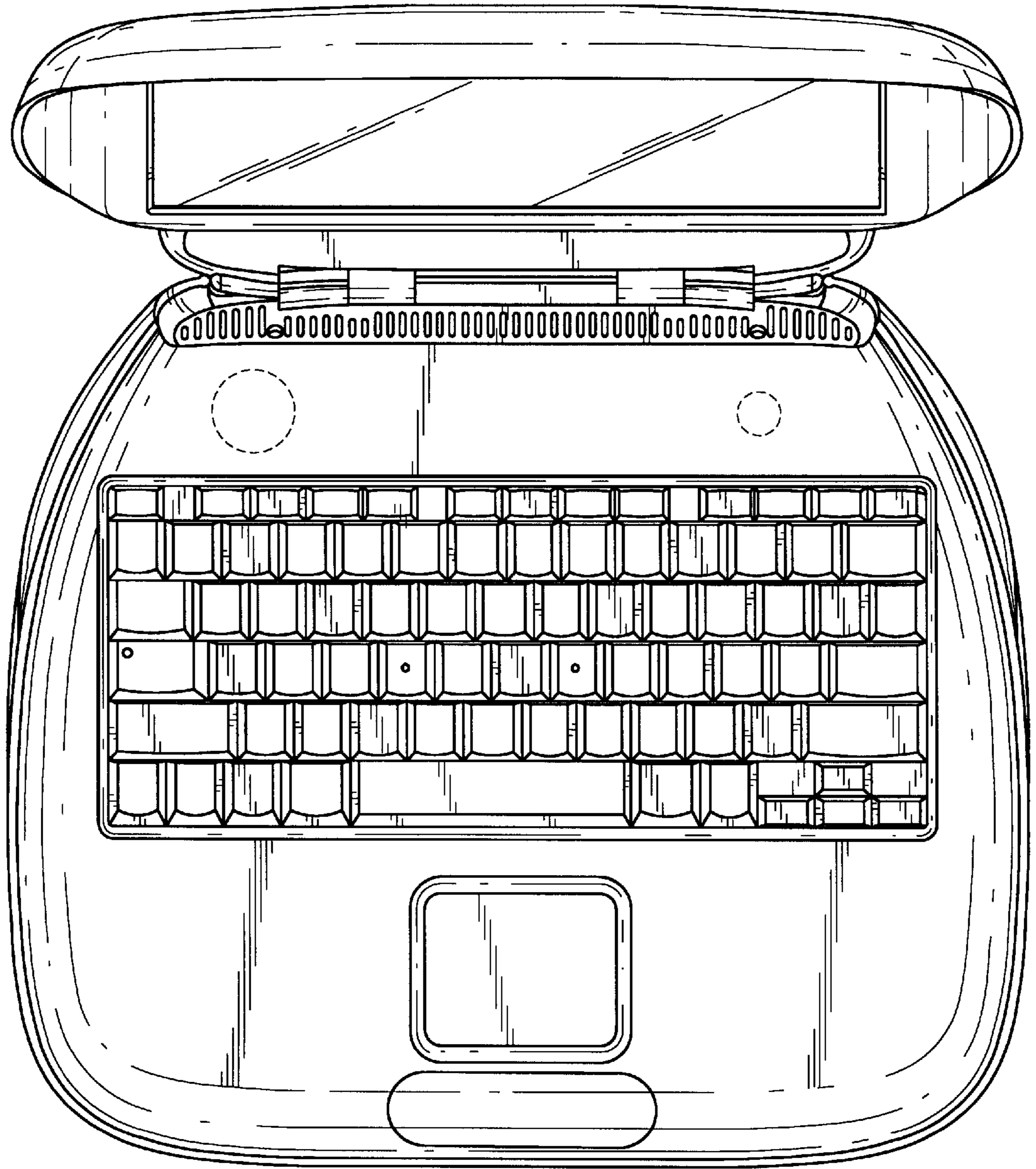


FIG. 4

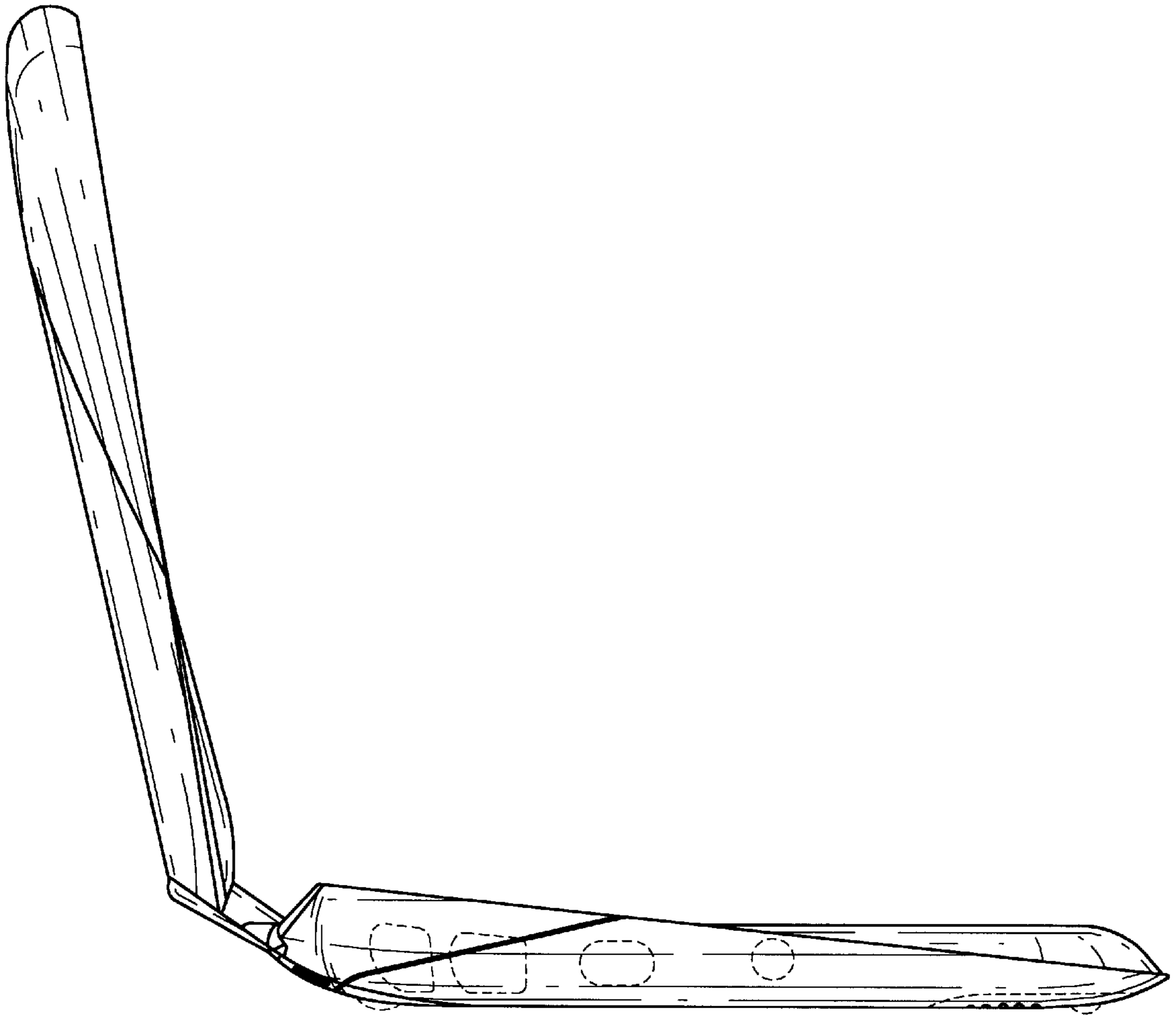


FIG. 5

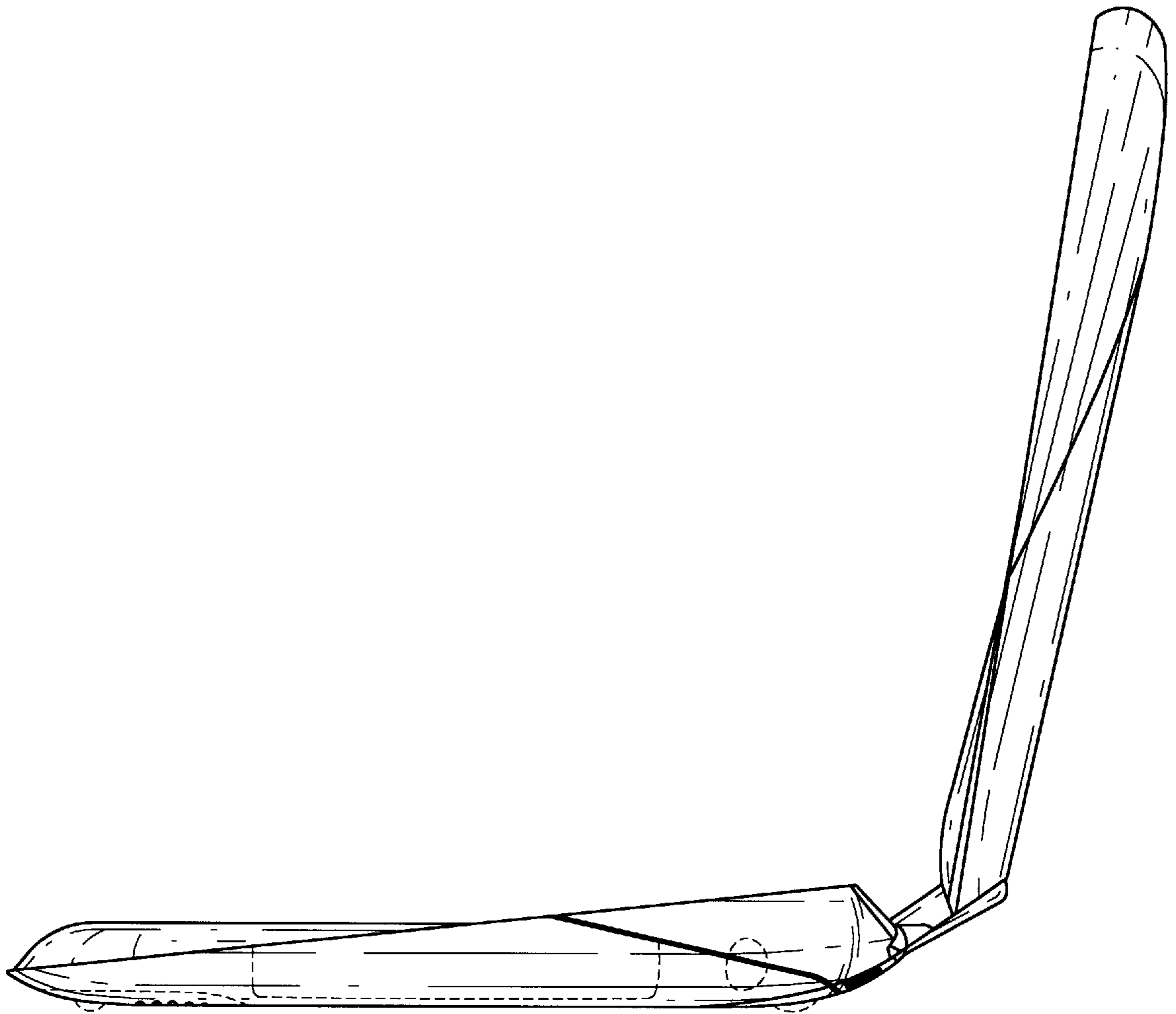


FIG. 6

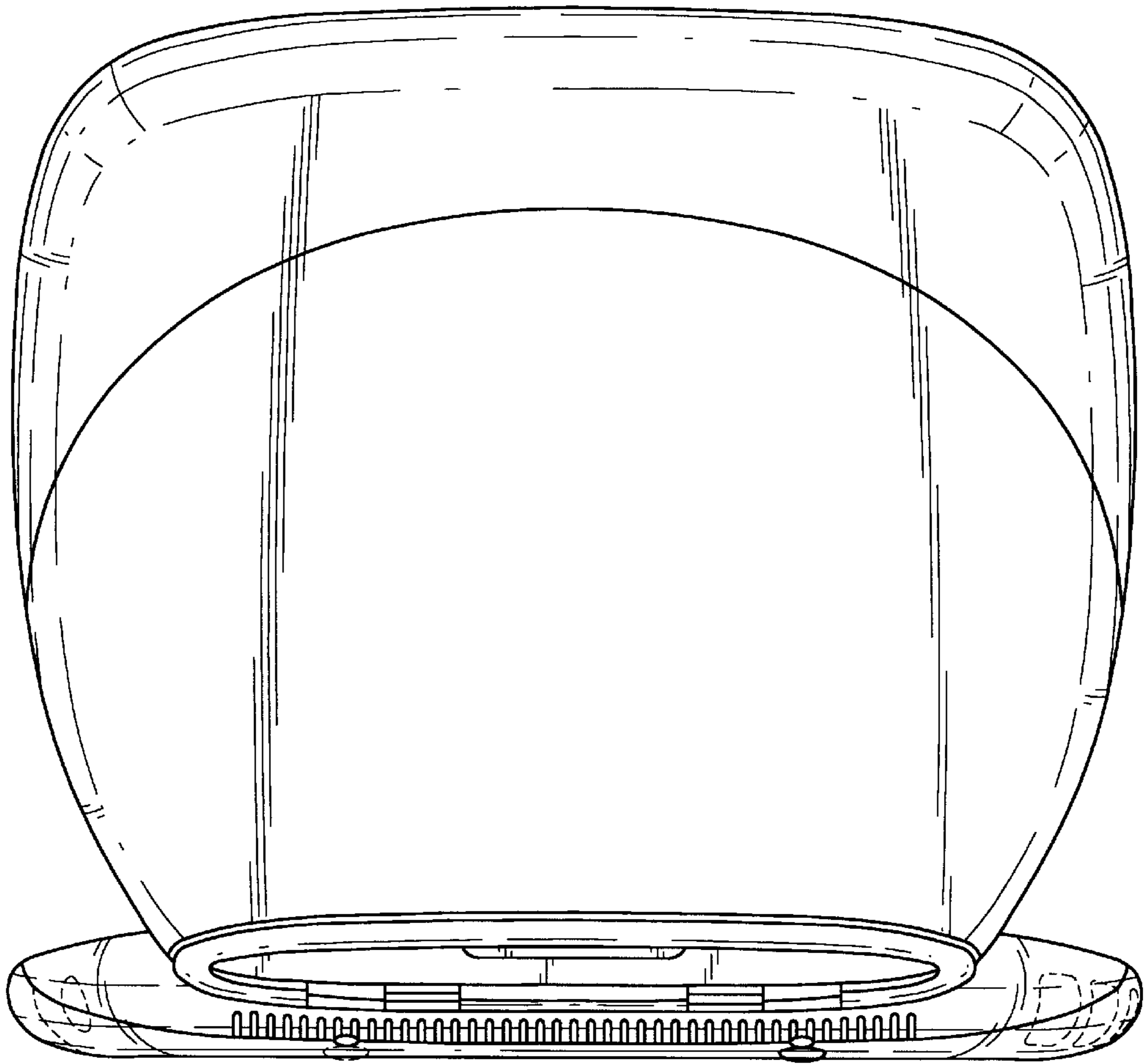


FIG. 7

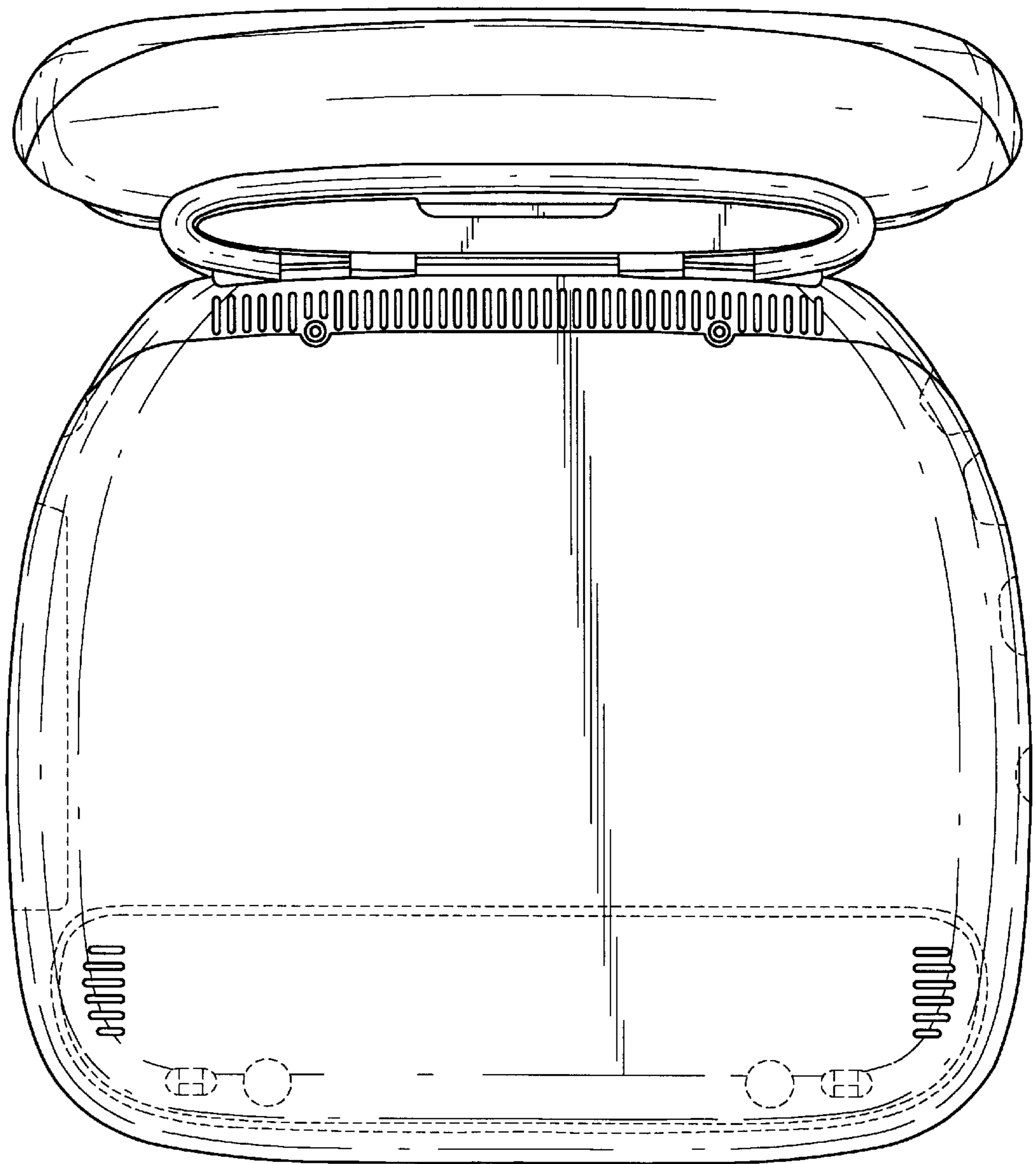


FIG. 8

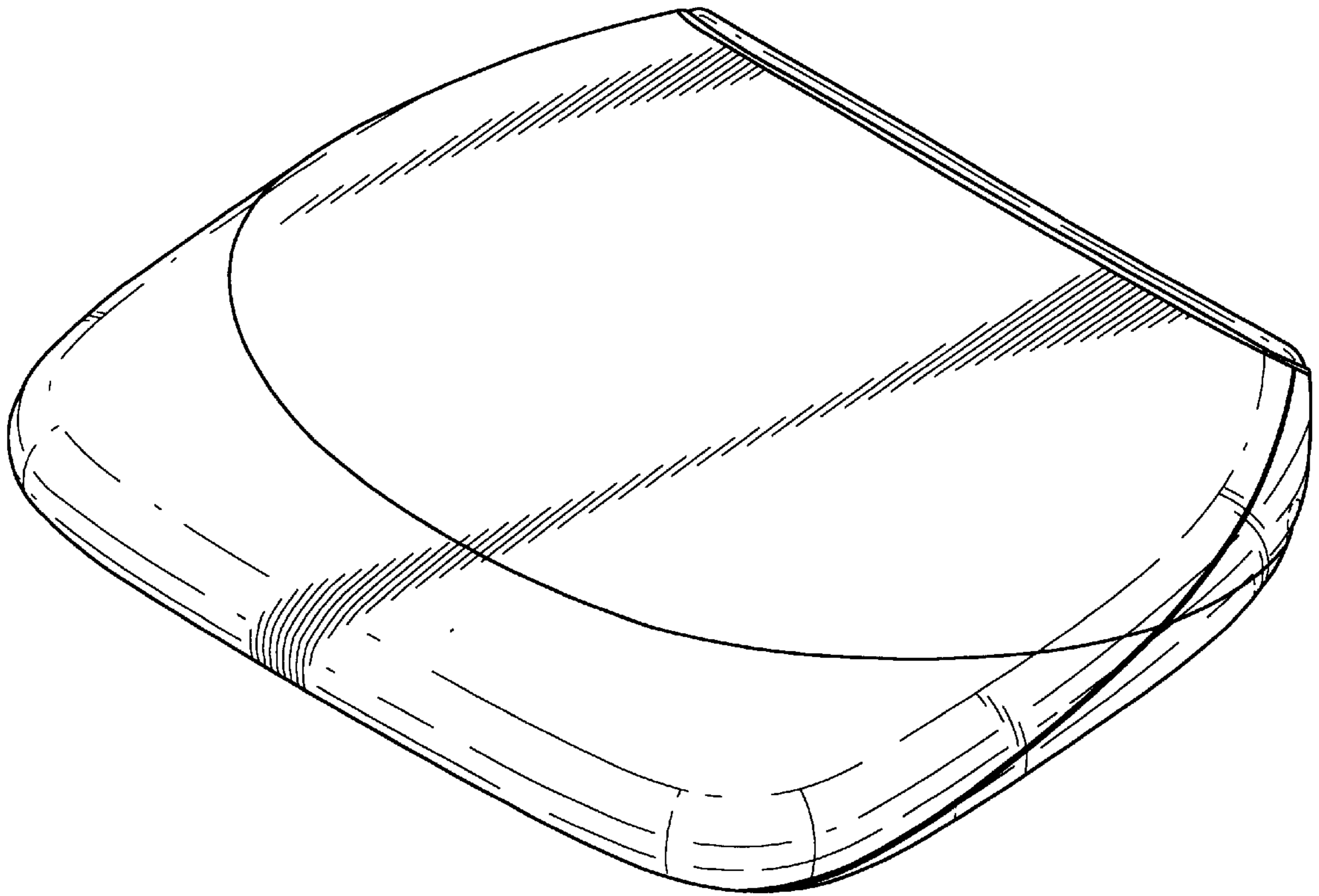


FIG. 9

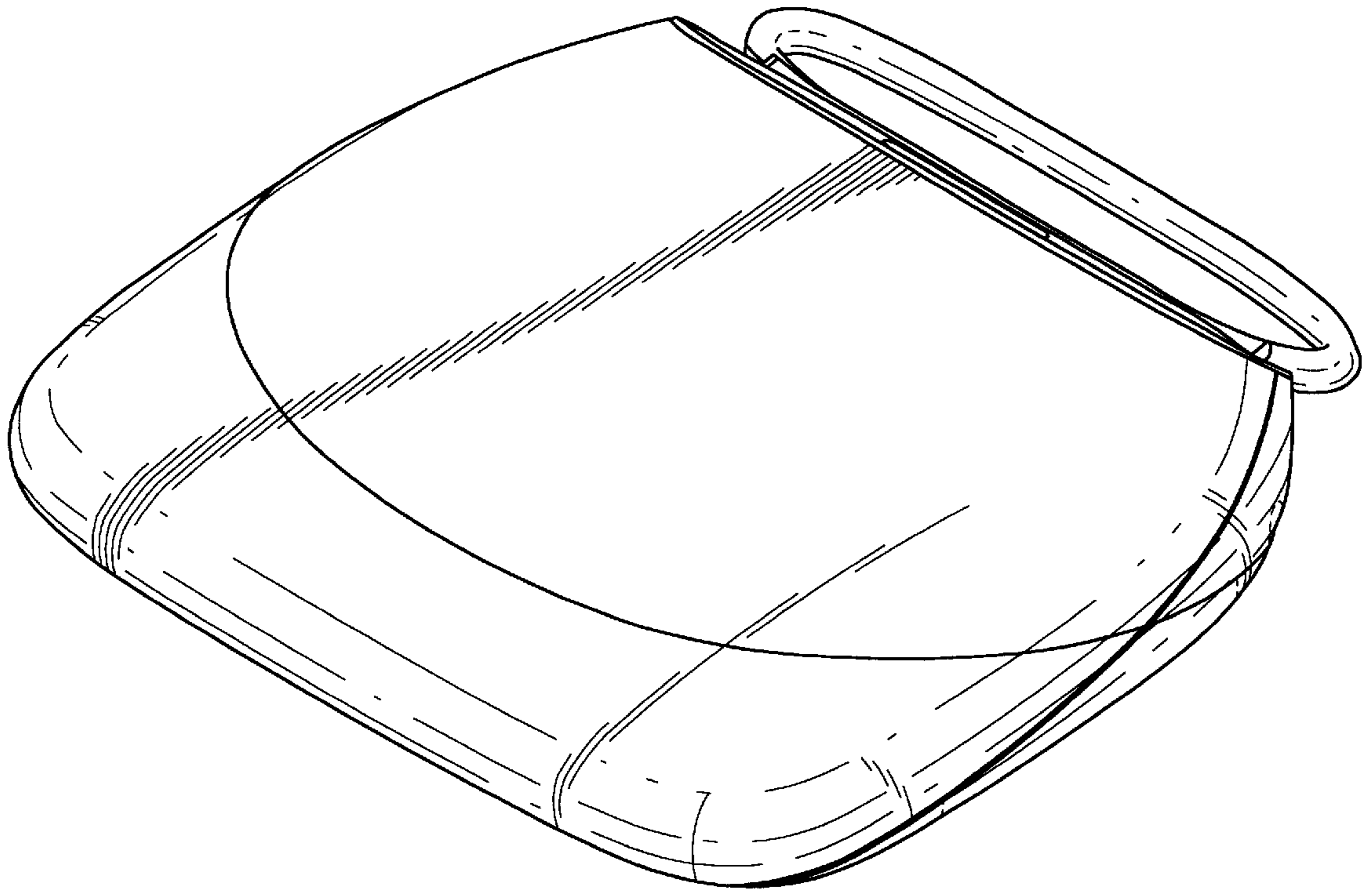


FIG. 10