



US00D435838S

(12) **United States Design Patent**
Taylor et al.

(10) **Patent No.:** **US D435,838 S**

(45) **Date of Patent:** **** Jan. 2, 2001**

(54) **WALL PHONE**

(75) Inventors: **Darrell C. Taylor**, Duluth, GA (US);
Thomas Greenwood, Bradenton, FL
(US); **Matthew D. Toth**, Lawrenceville,
GA (US)

(73) Assignee: **Elcotel, Inc.**, Sarasota, FL (US)

(**) Term: **14 Years**

(21) Appl. No.: **29/113,077**

(22) Filed: **Oct. 29, 1999**

(51) **LOC (7) Cl.** **14-03**

(52) **U.S. Cl.** **D14/146**

(58) **Field of Search** D14/130, 140,
D14/142, 149-151, 146, 240, 324, 330;
379/433-436, 419, 420, 428, 440, 430,
453, 143-155, 368, 441, 442

(56) **References Cited**

U.S. PATENT DOCUMENTS

D. 266,927	*	11/1982	Illium, Jr. et al.	D14/146
D. 277,480	*	2/1985	Jackwicz et al.	D14/142
D. 283,890	*	5/1986	Britz et al.	D14/146
D. 290,954	*	7/1987	Read	D14/146
D. 304,190	*	10/1989	Rose	D14/142
D. 308,677	*	6/1990	Tamura	D14/146
D. 319,827	*	9/1991	Palomeque et al.	D14/146
D. 339,580	*	9/1993	Schmidt	D14/146
D. 342,251	*	12/1993	Hird et al.	D14/146
D. 346,165	*	4/1994	Kwon et al.	D14/146
D. 375,953	*	11/1996	Smith et al.	D14/146
D. 402,983	*	12/1998	Wild et al.	D14/146
D. 408,404	*	4/1999	Hall	D14/146

D. 410,004	*	5/1999	LaPorte et al.	D14/146
4,672,661	*	6/1987	Clark, Jr. et al.	379/144
4,974,257	*	11/1990	Ibanez et al.	379/143

* cited by examiner

Primary Examiner—Jeffrey Asch

(74) *Attorney, Agent, or Firm*—Schnader Harrison Segal
and Lewis LLP

(57) **CLAIM**

The ornamental design for a wall phone, as shown and
described.

DESCRIPTION

FIG. 1 is a perspective view of a wall phone according to the
invention.

FIG. 2 is a front elevational view of a wall phone according
to the invention.

FIG. 3 is a front elevational view of a wall phone according
to the invention, shown with handset displaced from the
cradle.

FIG. 4 is a rear elevational view of a wall phone according
to the invention.

FIG. 5 is a left side elevational view of a wall phone
according to the invention.

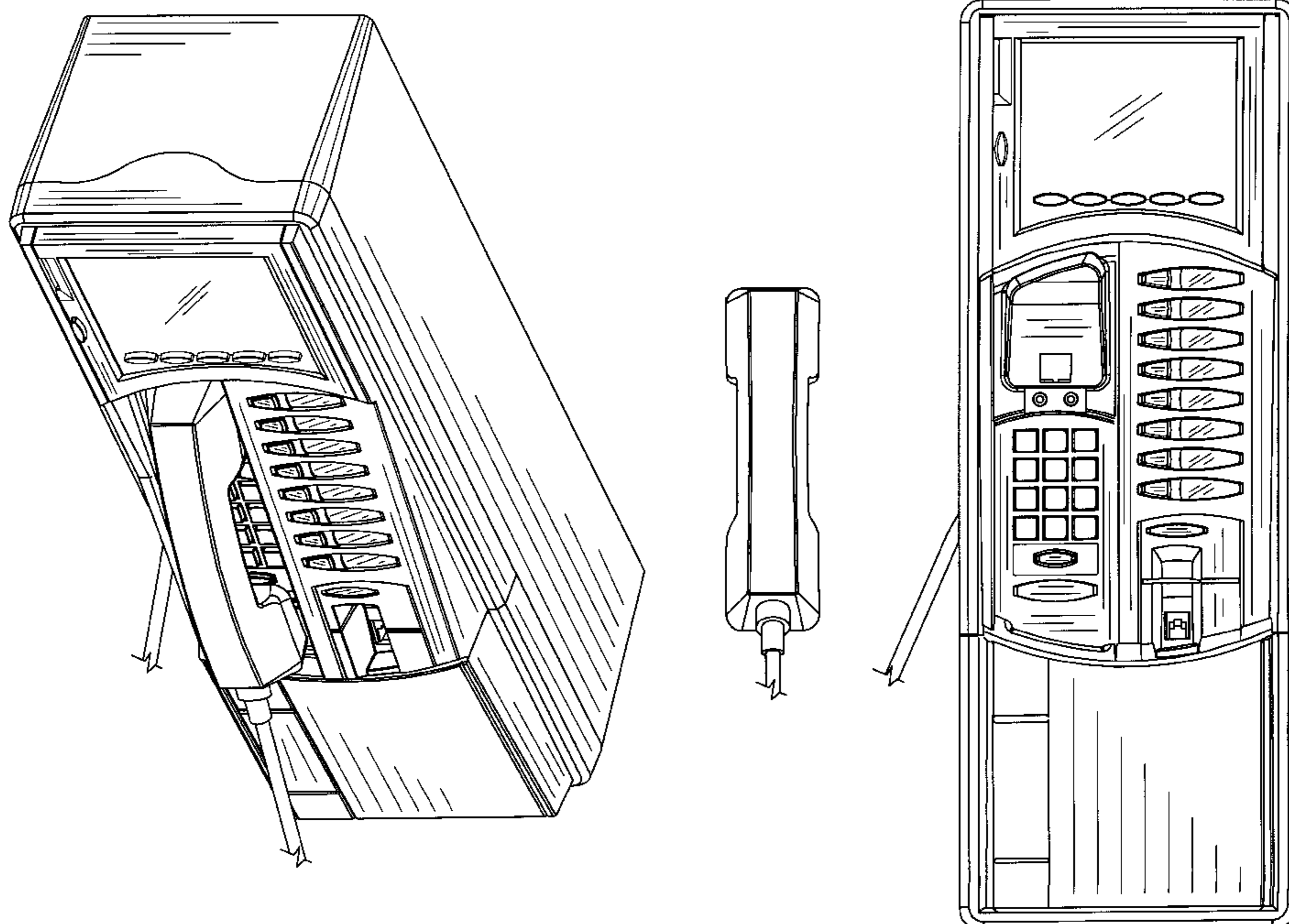
FIG. 6 is a right side elevational view of a wall phone
according to the invention.

FIG. 7 is a top plan view of a wall phone according to the
invention; and,

FIG. 8 is a bottom plan view of a wall phone according to
the invention.

The broken line showing of the various parts and features is
for illustrative and contextual purposes only and forms no
part of the invention.

1 Claim, 8 Drawing Sheets



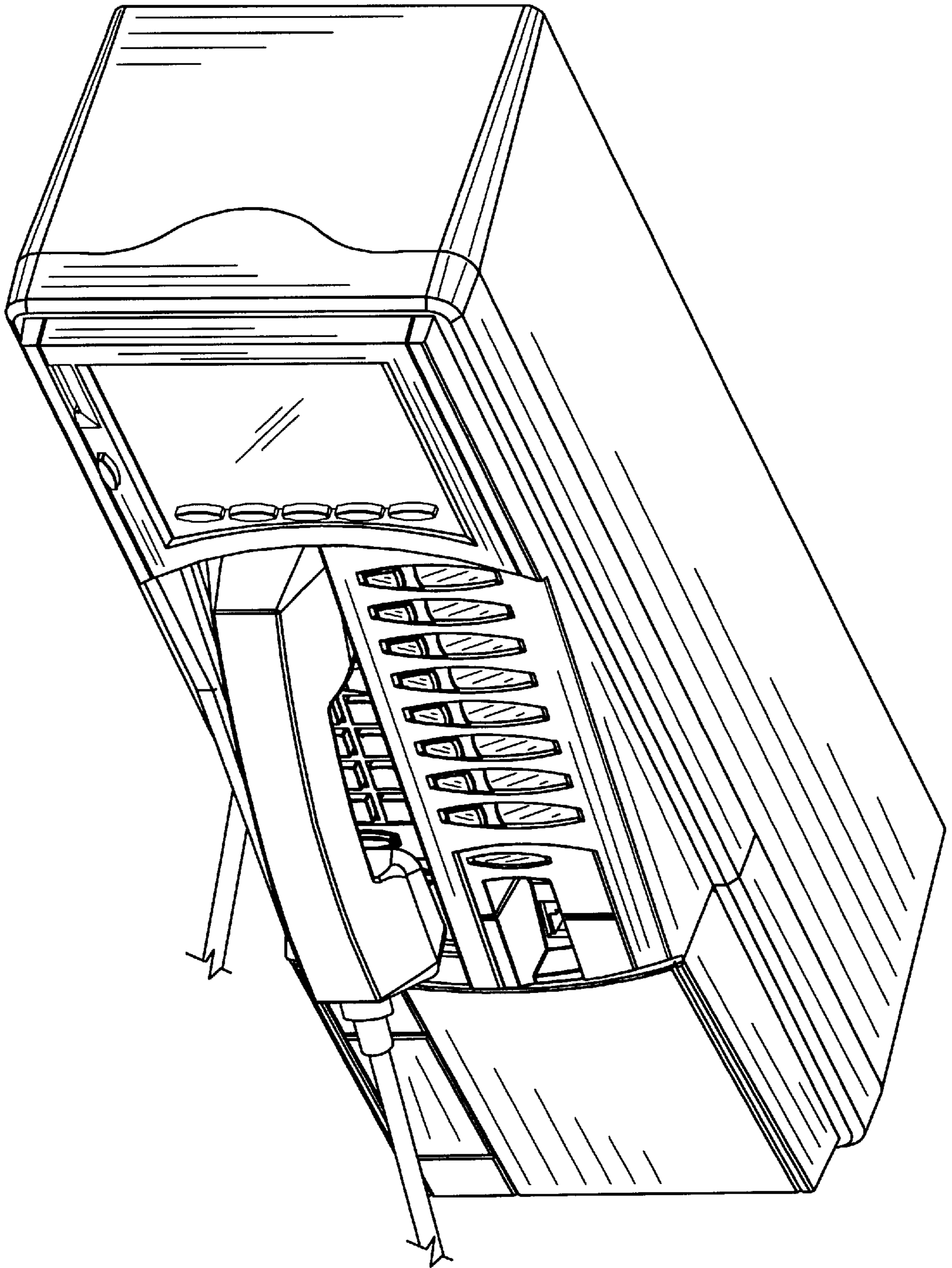


Fig. 1

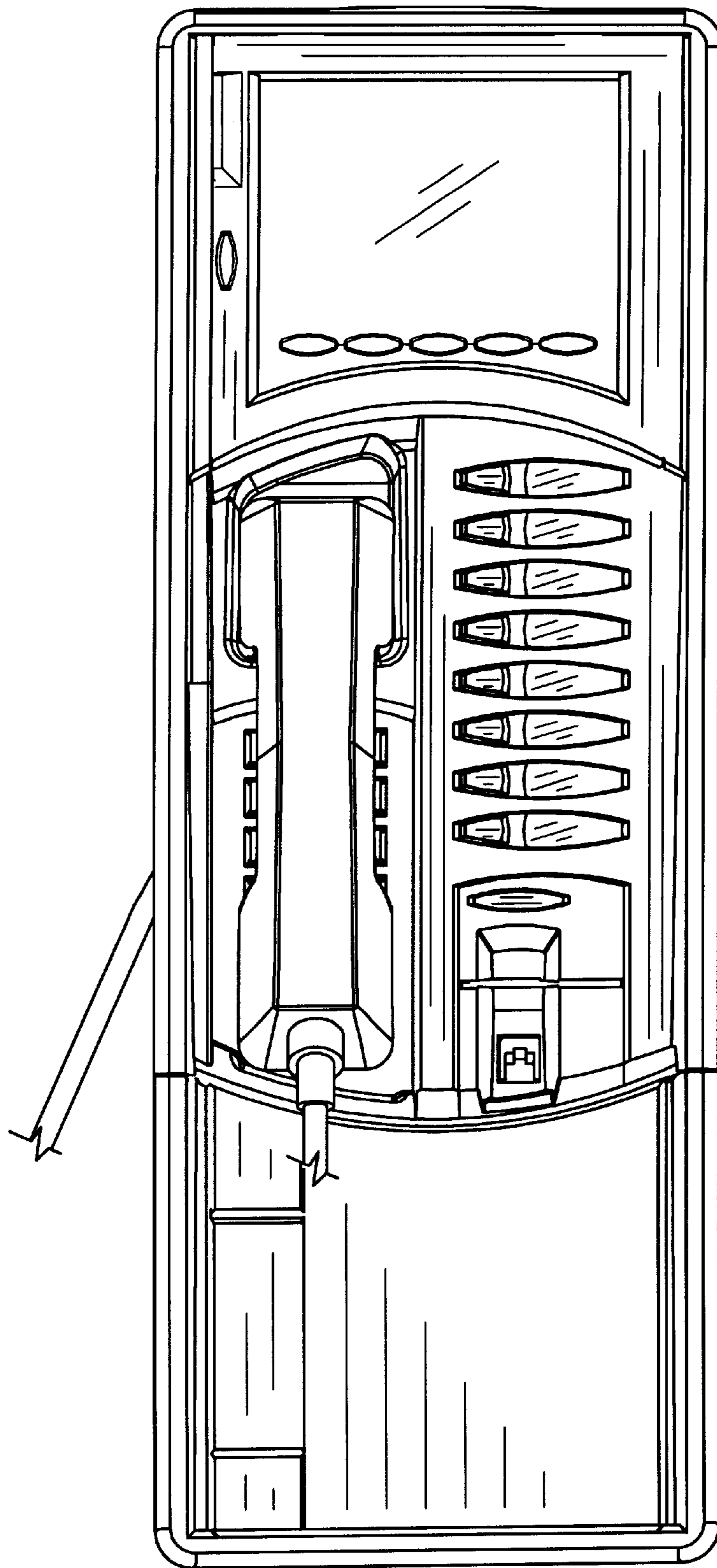


Fig. 2

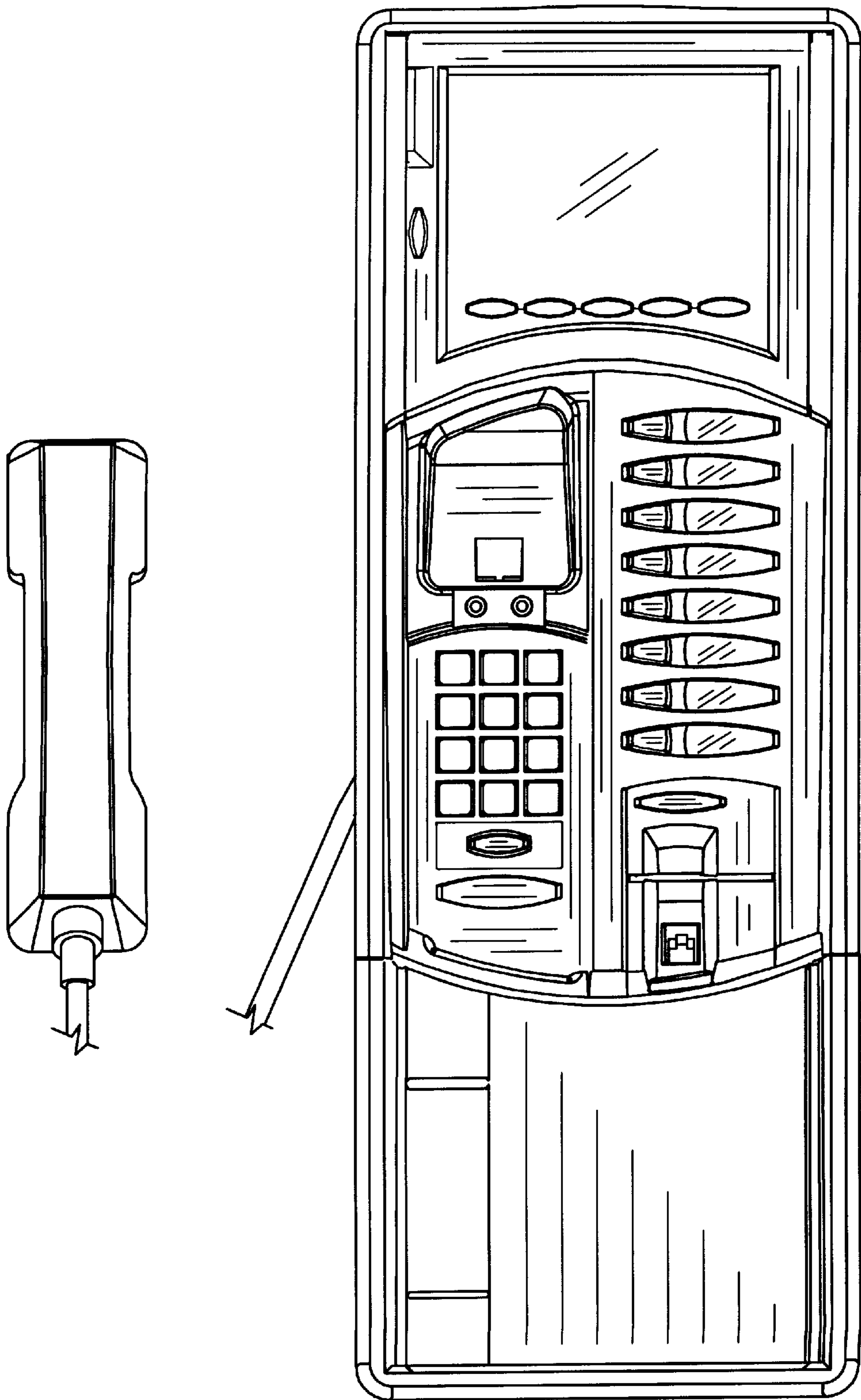


Fig. 3

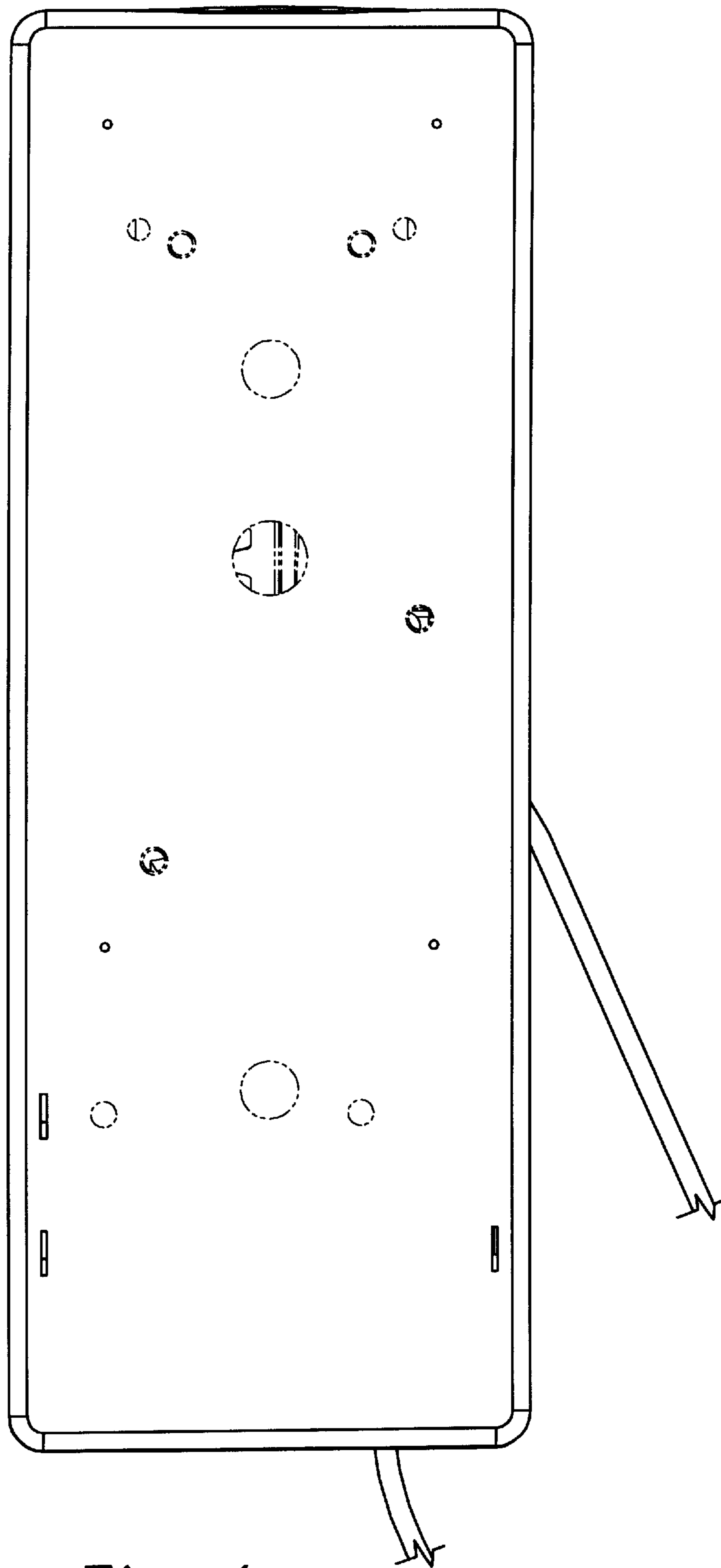


Fig. 4

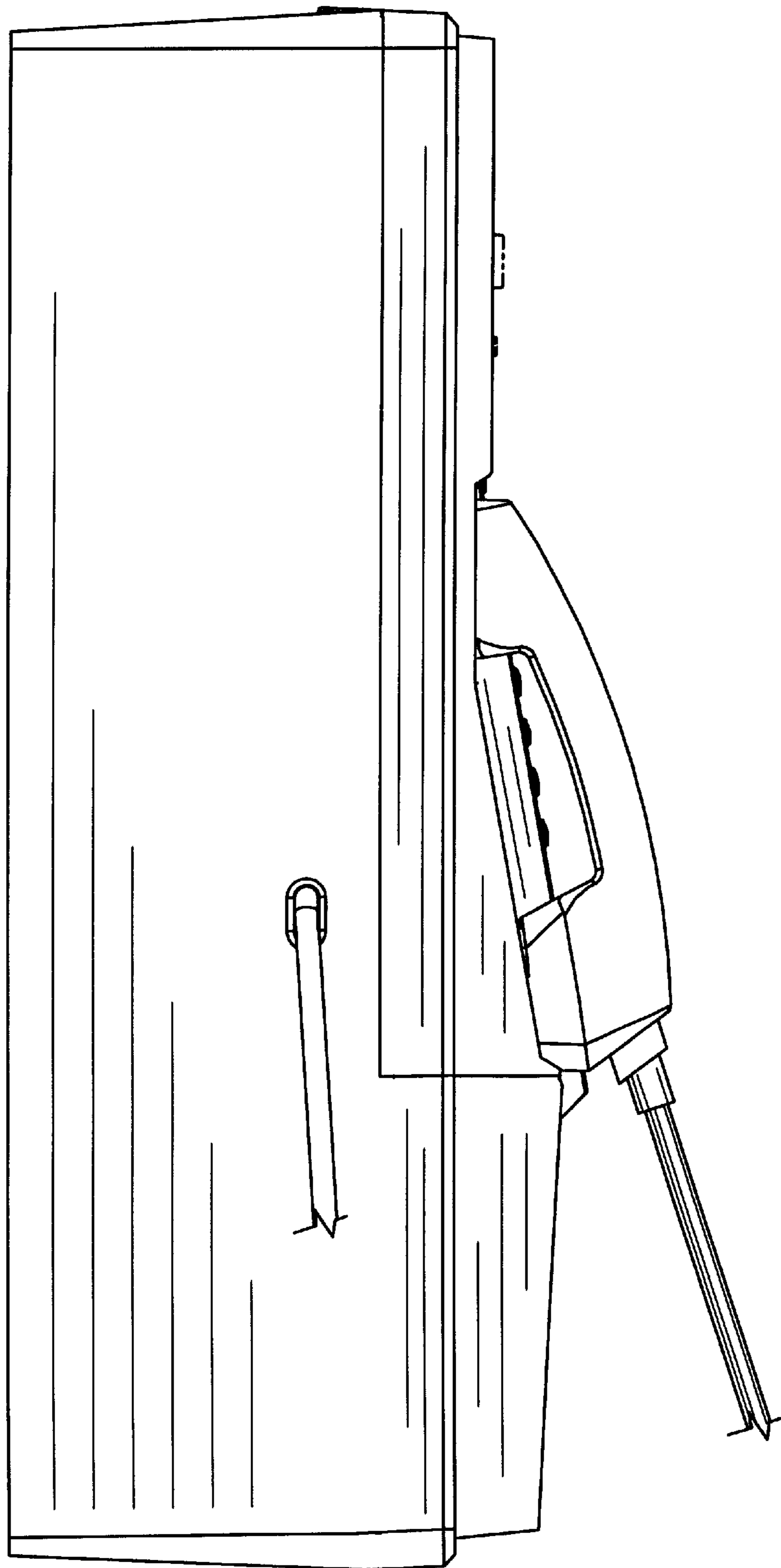


Fig. 5

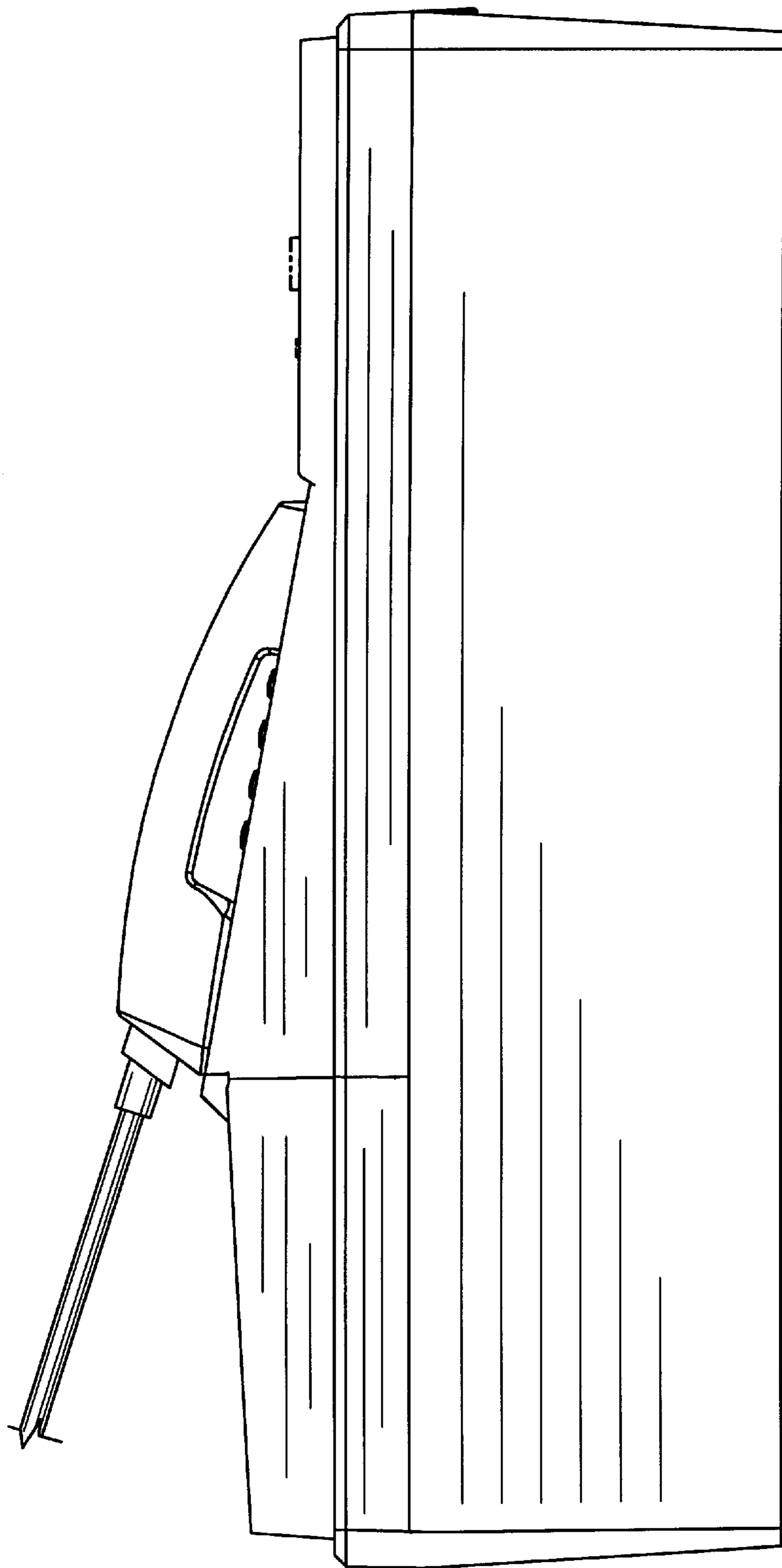


Fig. 6

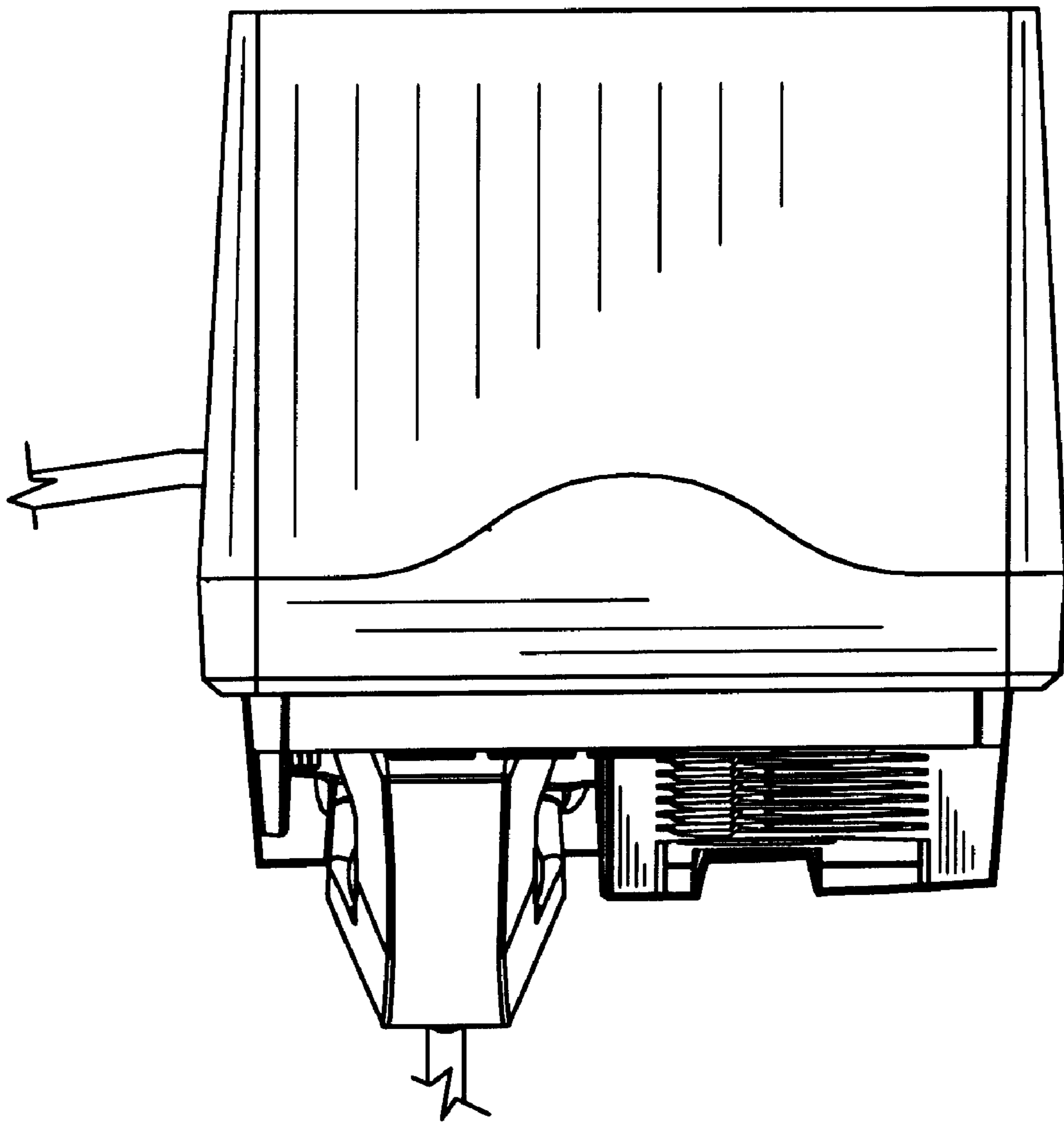


Fig. 7

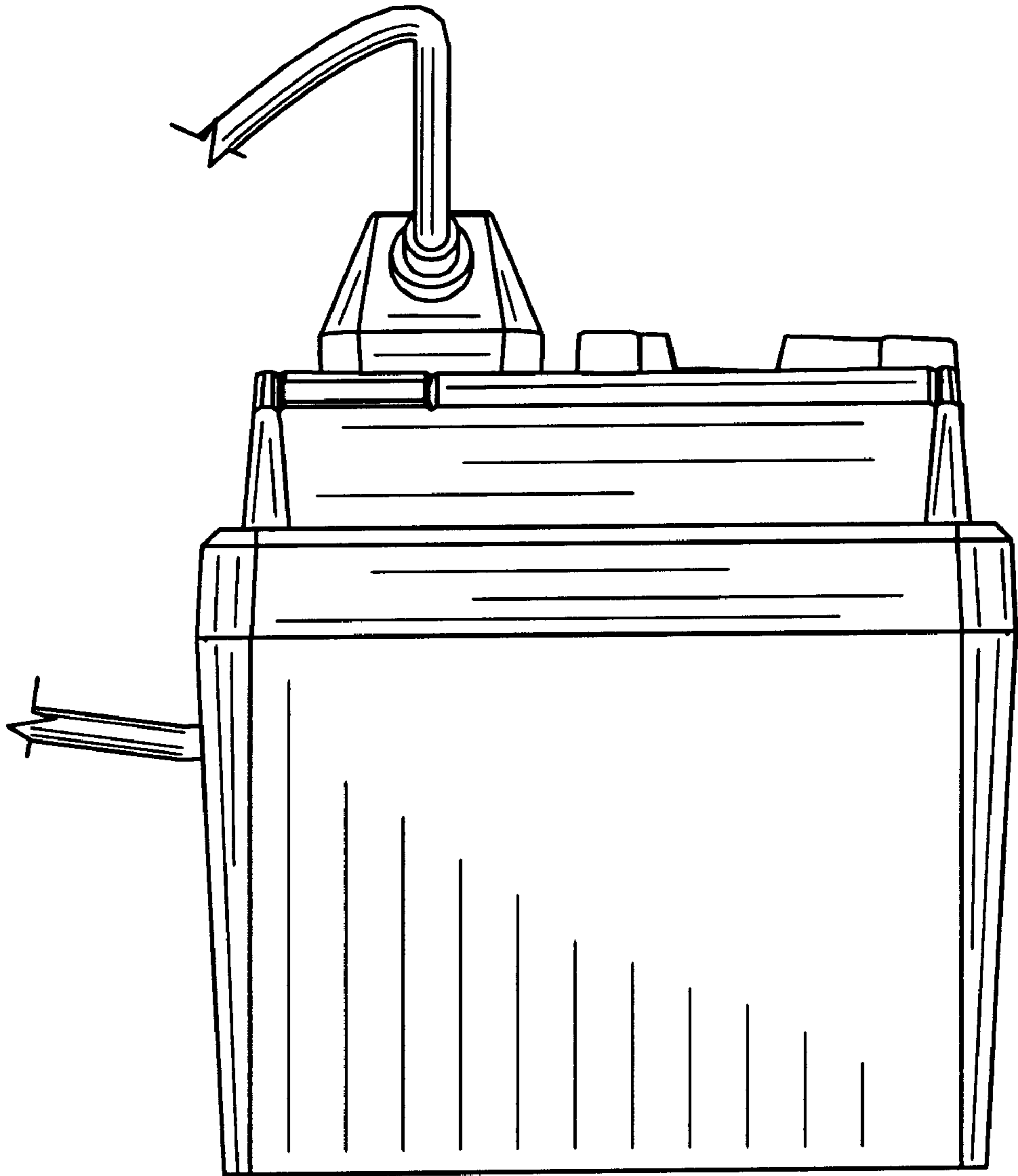


Fig. 8