



US00D435834S

(12) **United States Design Patent**
Picozza et al.

(10) **Patent No.:** **US D435,834 S**

(45) **Date of Patent:** **** Jan. 2, 2001**

(54) **REMOTE CONTROL FOR ELECTRIC BLANKET**

D. 415,753 * 10/1999 Kirihara D14/121
D. 423,462 * 4/2000 Jimenez et al. D13/168
5,351,051 * 9/1994 Yano et al. 341/176

(75) Inventors: **Augusto Picozza**, Boca Raton, FL (US); **Gregory James Holderfield**, Chicago; **Randall Palmer Bell**, River Forest, both of IL (US)

* cited by examiner

Primary Examiner—Brian N. Vinson
(74) *Attorney, Agent, or Firm*—Kramer Levin Naftalis & Frankel LLP

(73) Assignee: **Sunbeam Products, Inc.**, Boca Raton, FL (US)

(57) **CLAIM**

(**) Term: **14 Years**

The ornamental design for a remote control for electric blanket, as shown and described.

(21) Appl. No.: **29/111,660**

DESCRIPTION

(22) Filed: **Sep. 30, 1999**

(51) **LOC (7) Cl.** **14-03**

(52) **U.S. Cl.** **D13/168**

(58) **Field of Search** D13/168; D10/196; D14/174, 191, 218; D21/324; 200/293-293.1, 298, 330-331; 340/825.22-825.23, 825.69, 825.72; 341/176; 455/128

FIG. 1 is a top, front, and left side perspective view of a remote control for electric blanket showing our new design; FIG. 2 is a front elevational view thereof; FIG. 3 is a rear elevational view thereof; FIG. 4 is a right side elevational view thereof; FIG. 5 is a left side elevational view thereof; FIG. 6 is a top plan view thereof; and, FIG. 7 is a bottom plan view thereof.

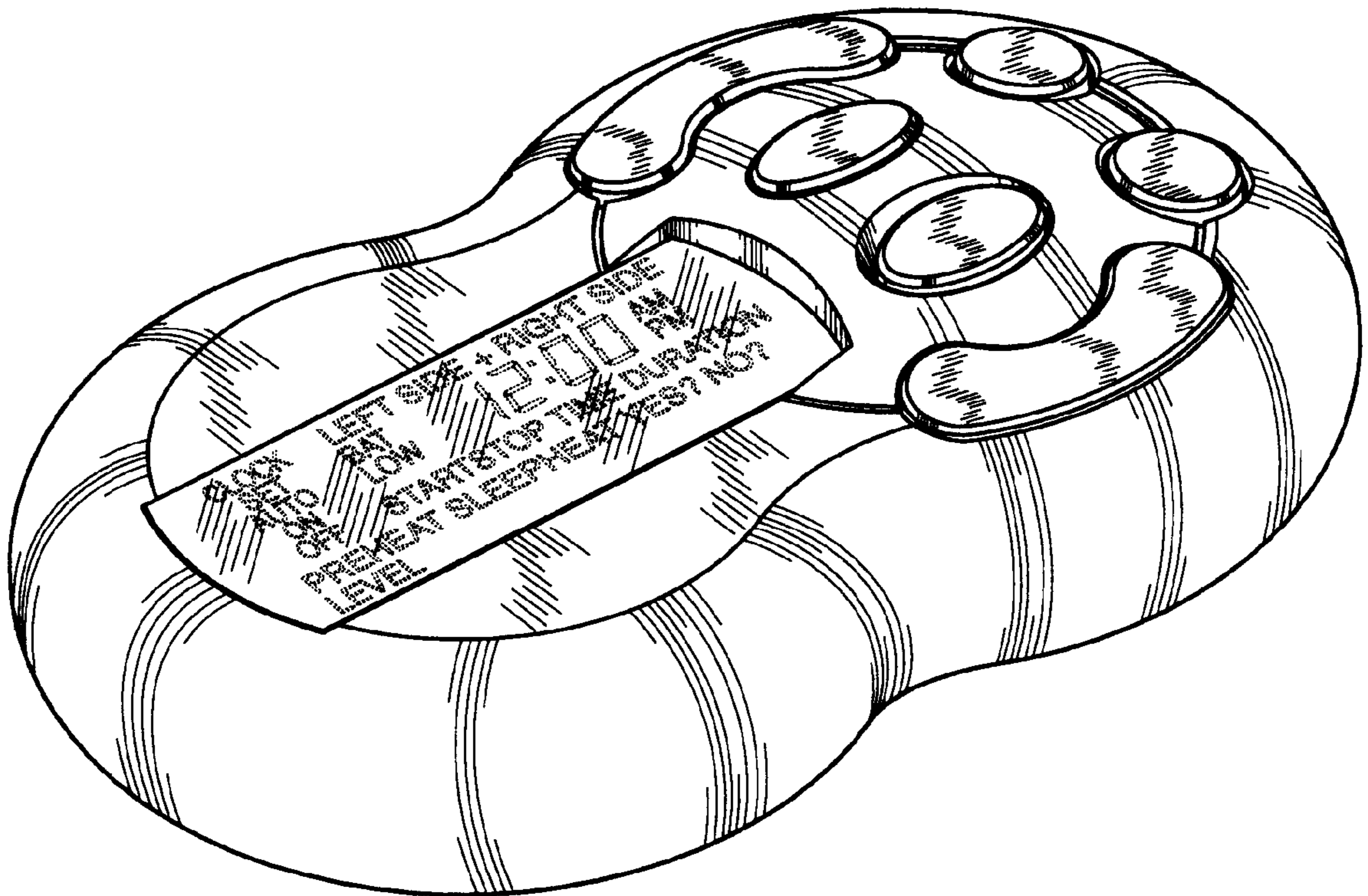
(56) **References Cited**

The broken-line showing of written indicia in the drawings is illustrative of environmental association matter only and forms no part of the claimed design.

U.S. PATENT DOCUMENTS

D. 405,424 * 2/1999 Winkler et al. D13/168
D. 413,579 * 9/1999 Mullet et al. D13/168

1 Claim, 4 Drawing Sheets



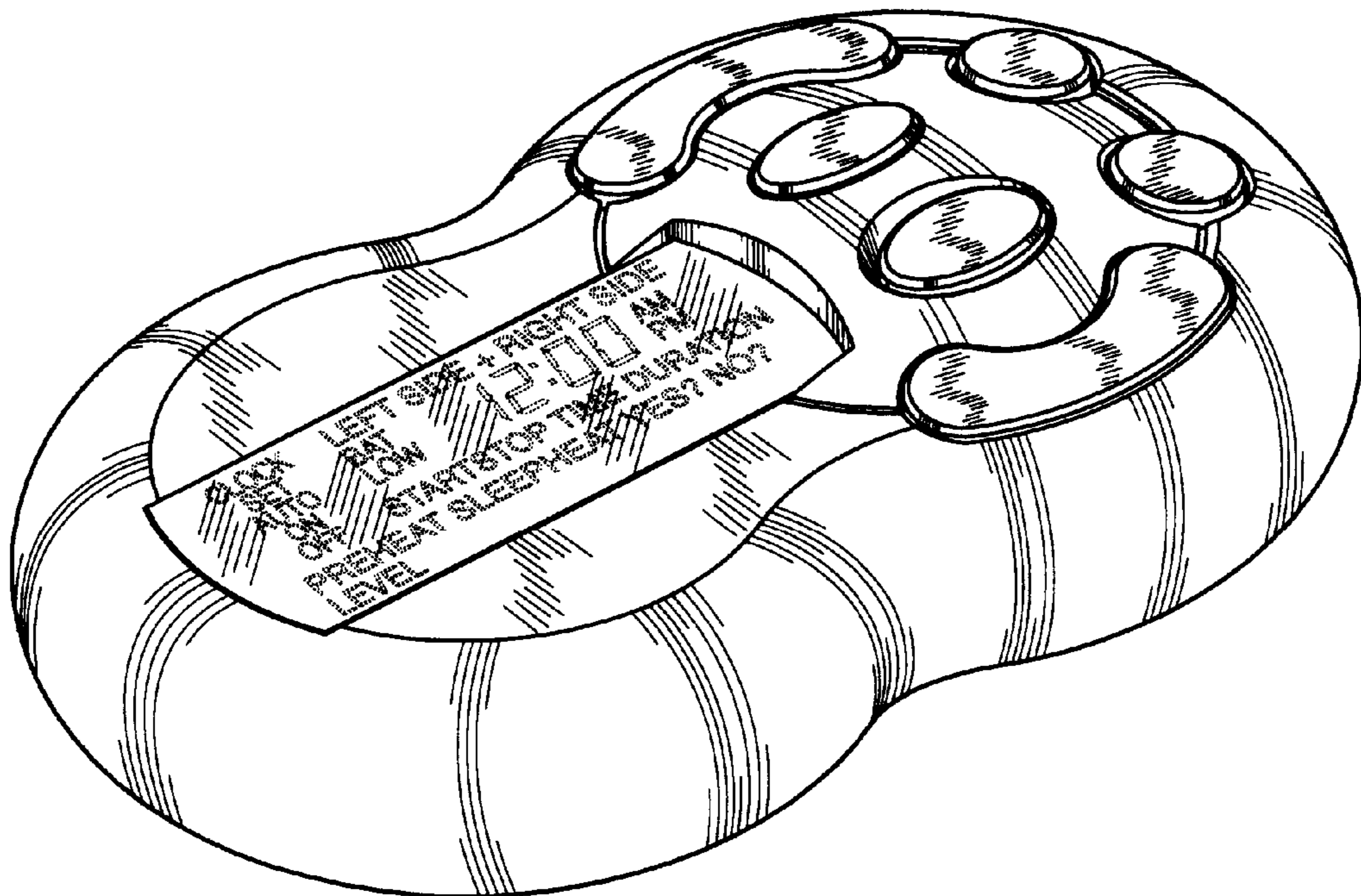


FIG. 1

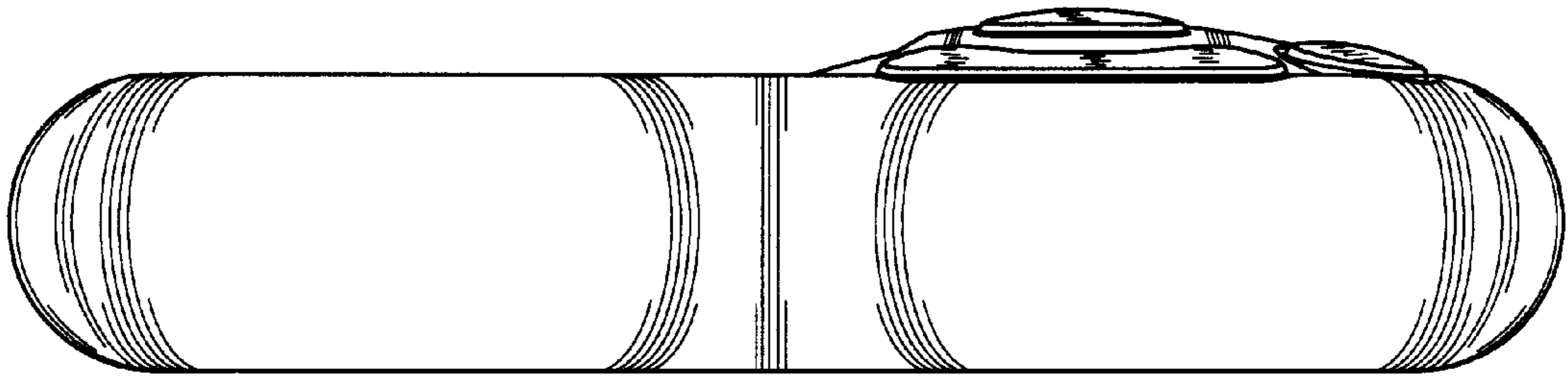


FIG. 2

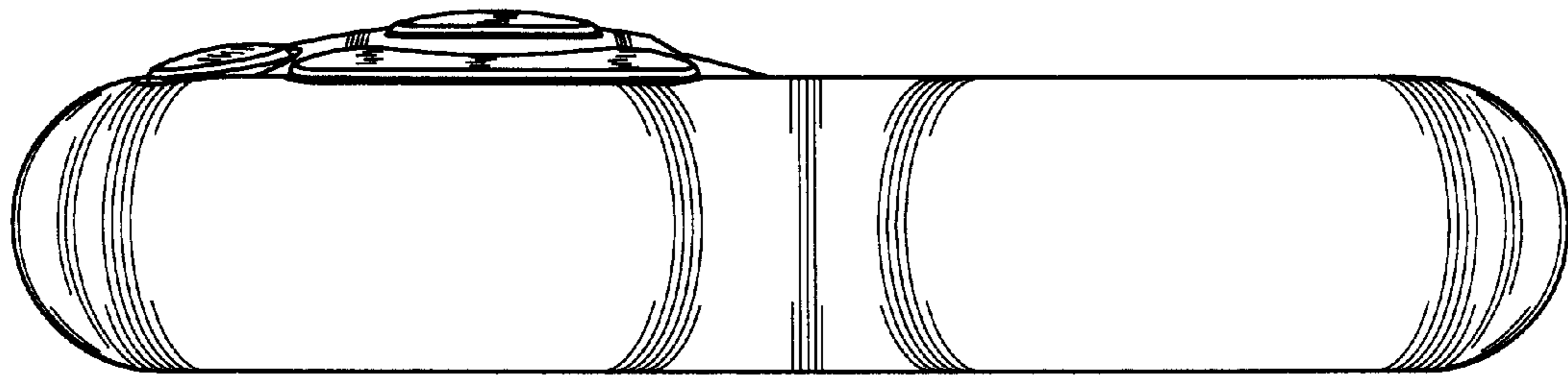


FIG. 3

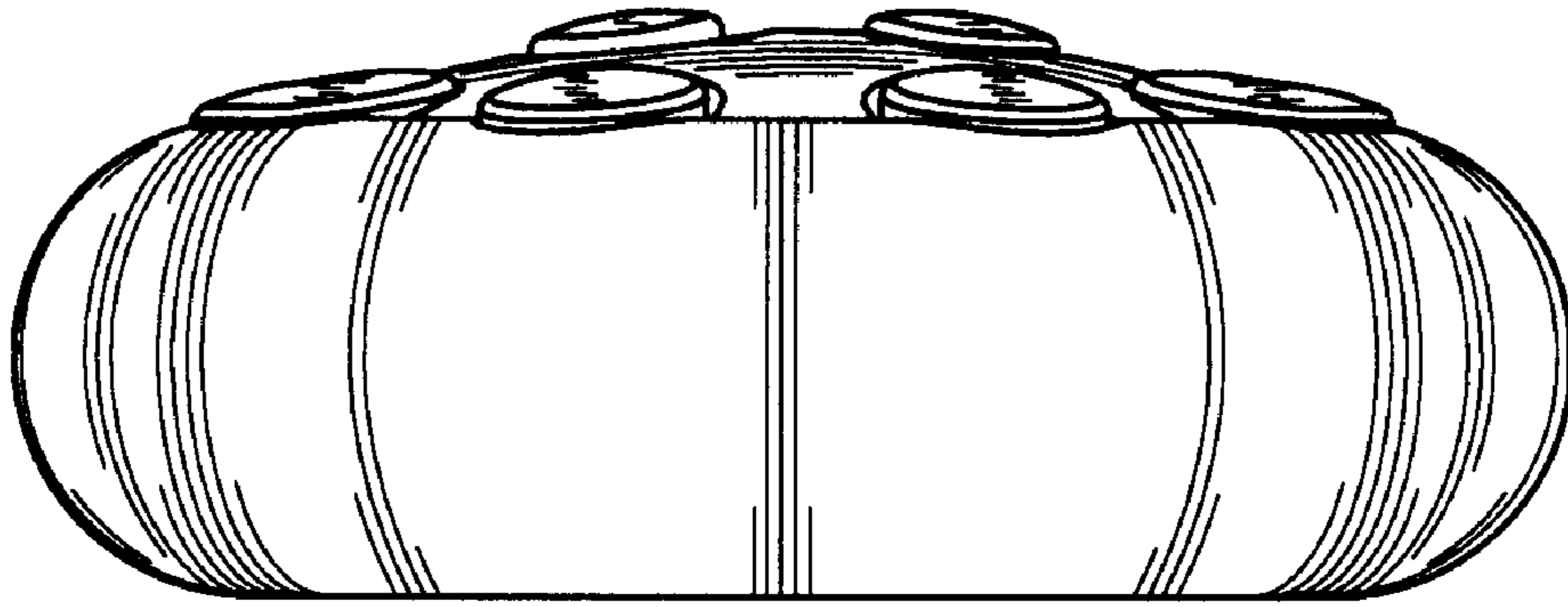


FIG. 4

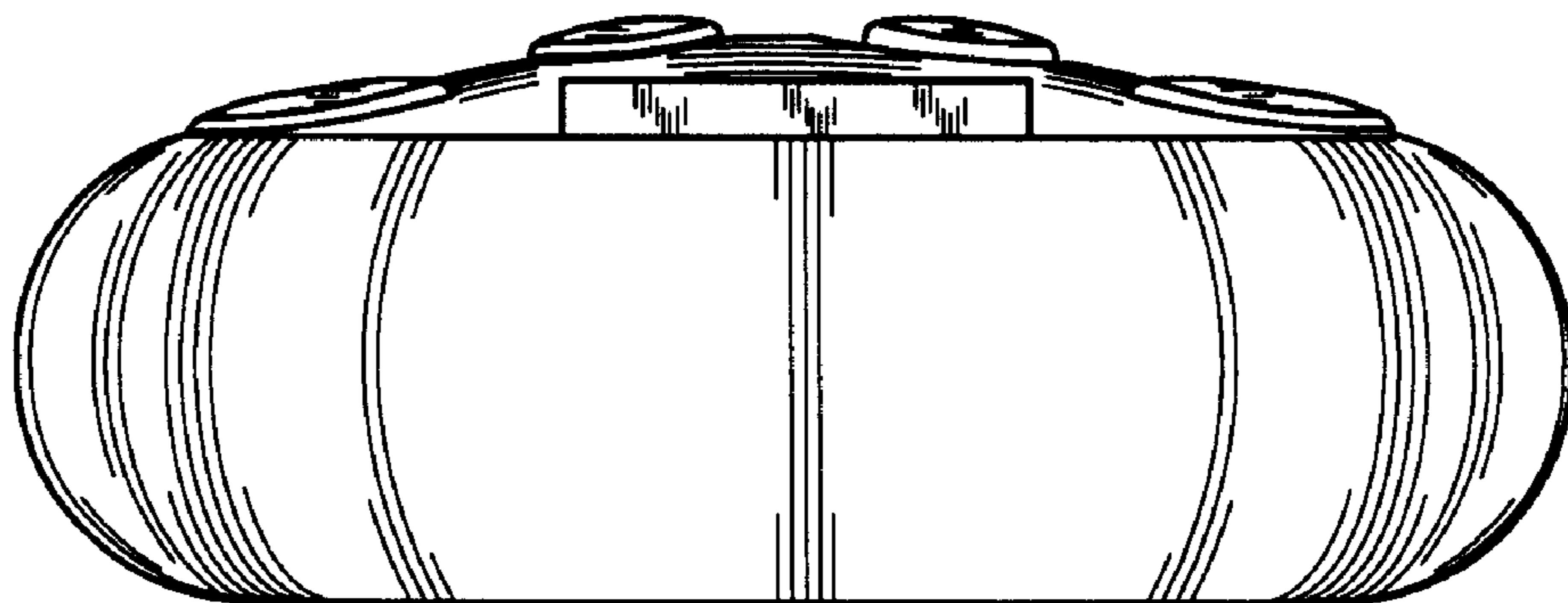


FIG. 5

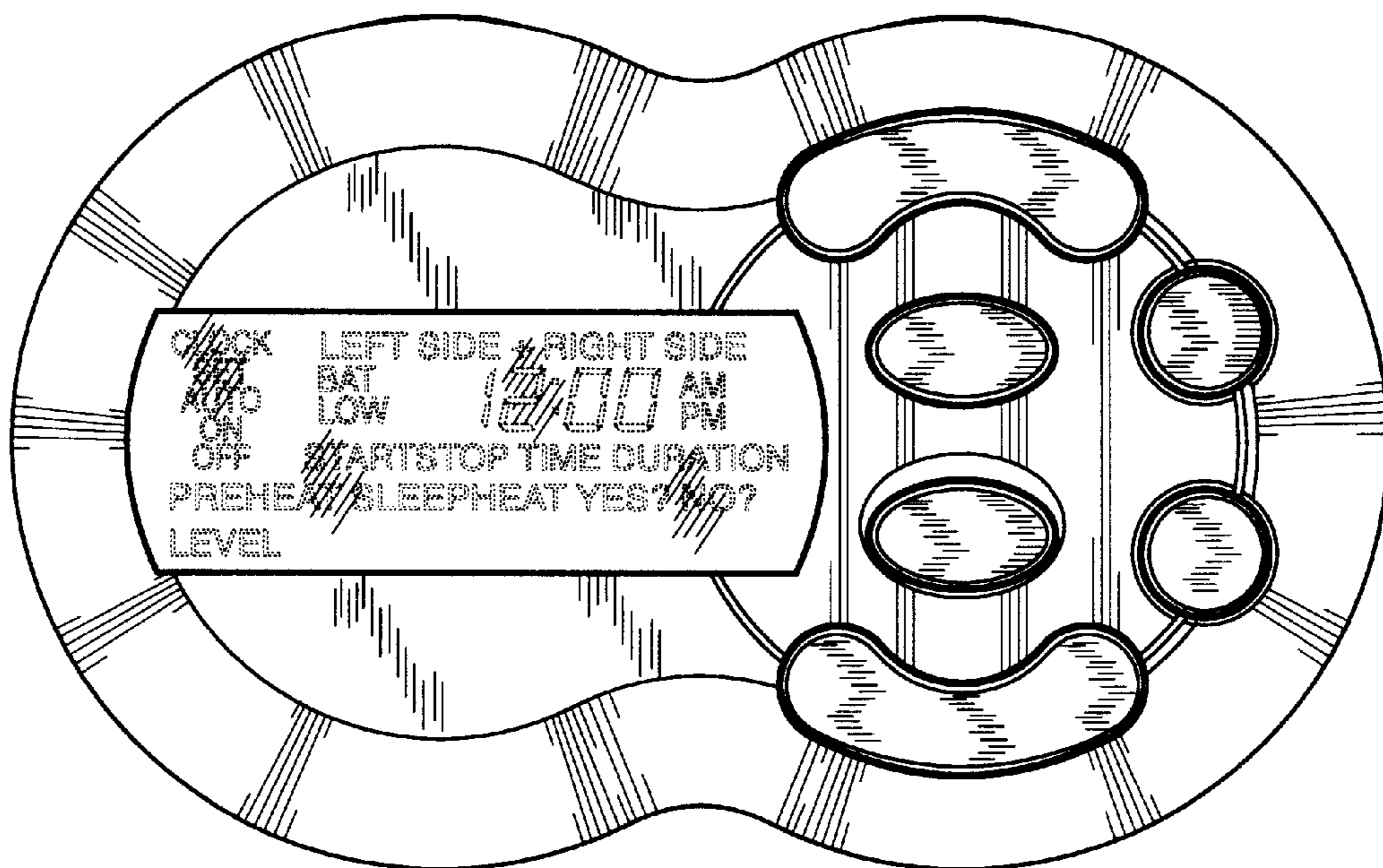


FIG. 6

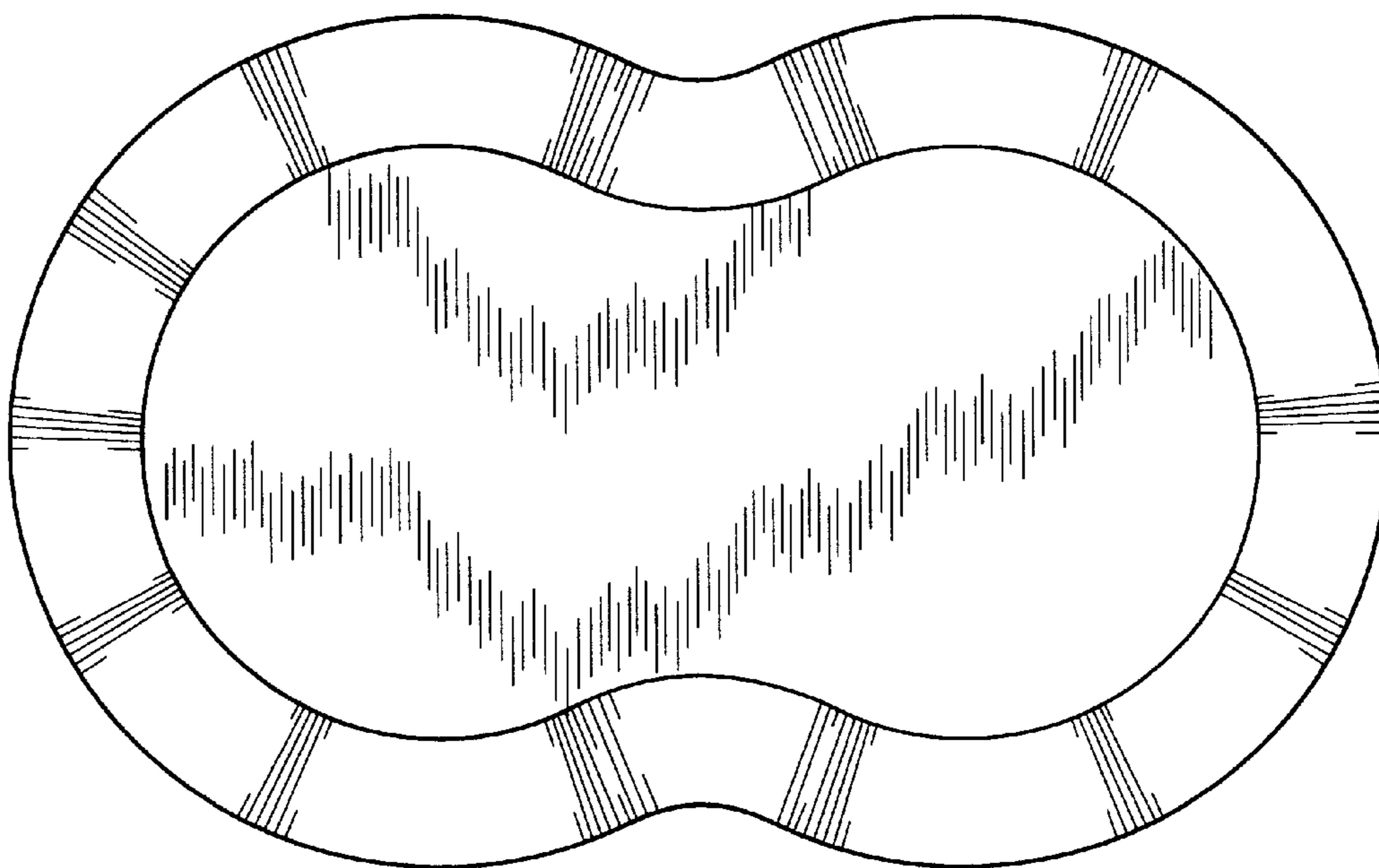


FIG. 7