



US00D435832S

(12) **United States Design Patent**
Jilani

(10) **Patent No.:** **US D435,832 S**

(45) **Date of Patent:** **** Jan. 2, 2001**

(54) **LAMP MOUNTED TOUCH CONTROL**

(76) **Inventor:** **Atiq A. Jilani**, 205 Wood Glen La.,
Oak Brook, IL (US) 60523

(**) **Term:** **14 Years**

(21) **Appl. No.:** **29/116,099**

(22) **Filed:** **Dec. 28, 1999**

(51) **LOC (7) Cl.** **13-03**

(52) **U.S. Cl.** **D13/158**

(58) **Field of Search** D13/158, 134;
315/149, 159; 439/300, 306, 309

(56) **References Cited**

U.S. PATENT DOCUMENTS

- D. 320,595 * 10/1991 Fenne D13/158
- D. 367,847 * 3/1996 Tarulli et al. D13/158

* cited by examiner

Primary Examiner—Brian N. Vinson

(74) *Attorney, Agent, or Firm*—Wallenstein & Wagner, Ltd.

(57) **CLAIM**

We claim the ornamental design for a “lamp mounted touch control”, as shown and described.

DESCRIPTION

FIG. 1 is a perspective view of the lamp mounted touch control;

FIG. 2 is a top view of the lamp mounted touch control;

FIG. 3 is a bottom view of the lamp mounted touch control;

FIG. 4 is a first side view of the lamp mounted touch control;

FIG. 5 is a second side view of the lamp mounted touch control;

FIG. 6 is a third side view of the lamp mounted touch control; and,

FIG. 7 is a fourth side view of the lamp mounted touch control.

1 Claim, 1 Drawing Sheet

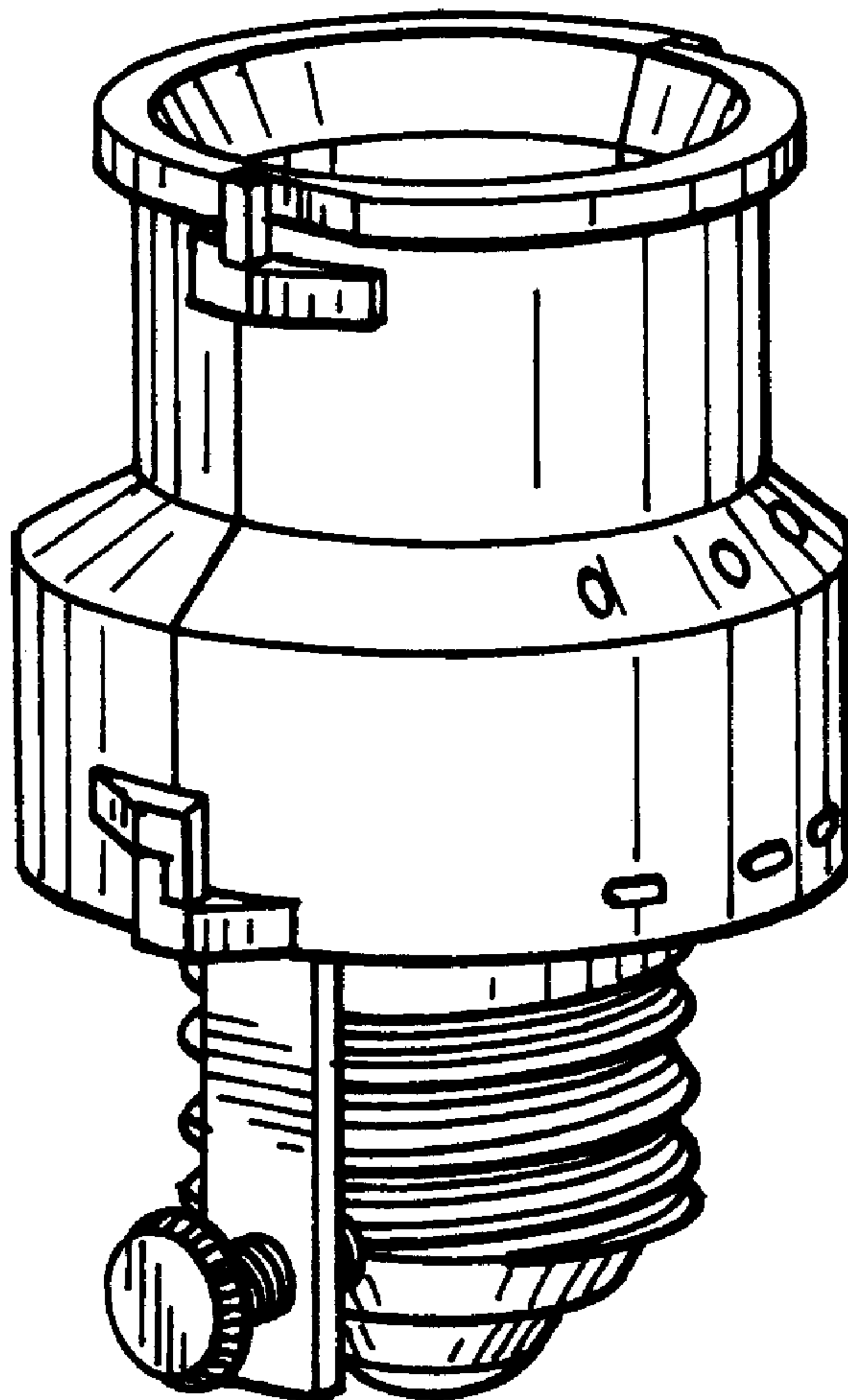


FIG. 1

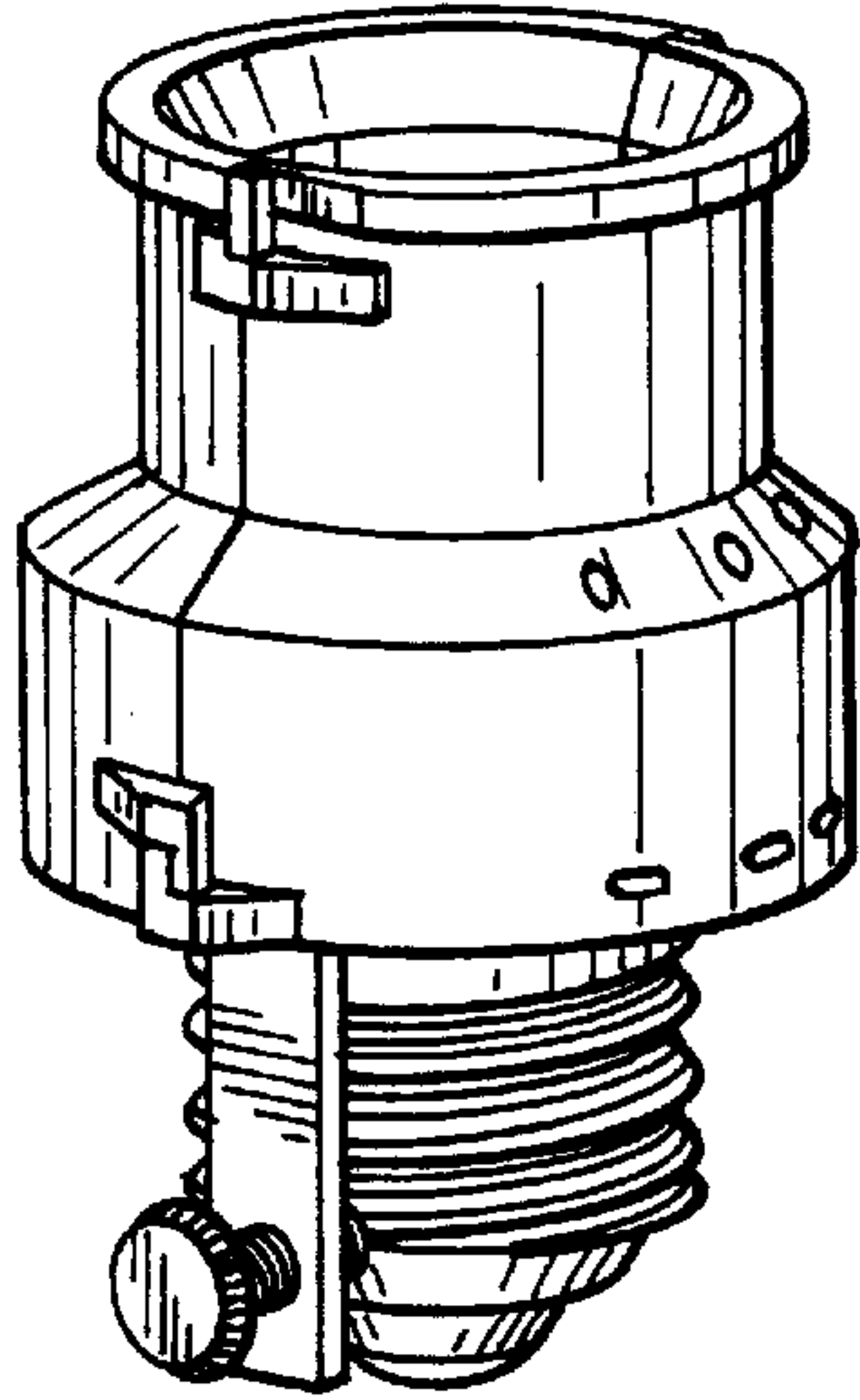


FIG. 2

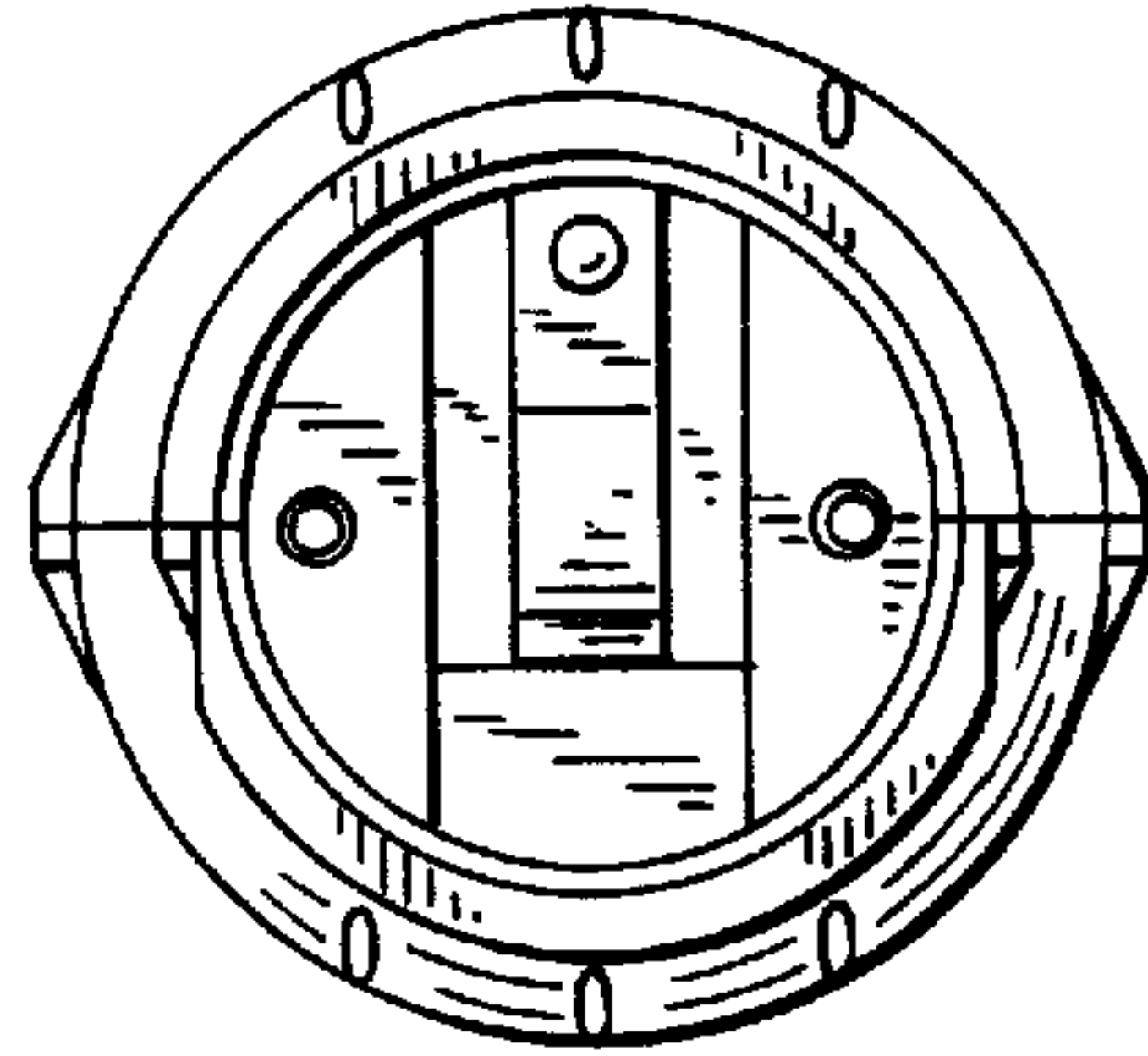


FIG. 3

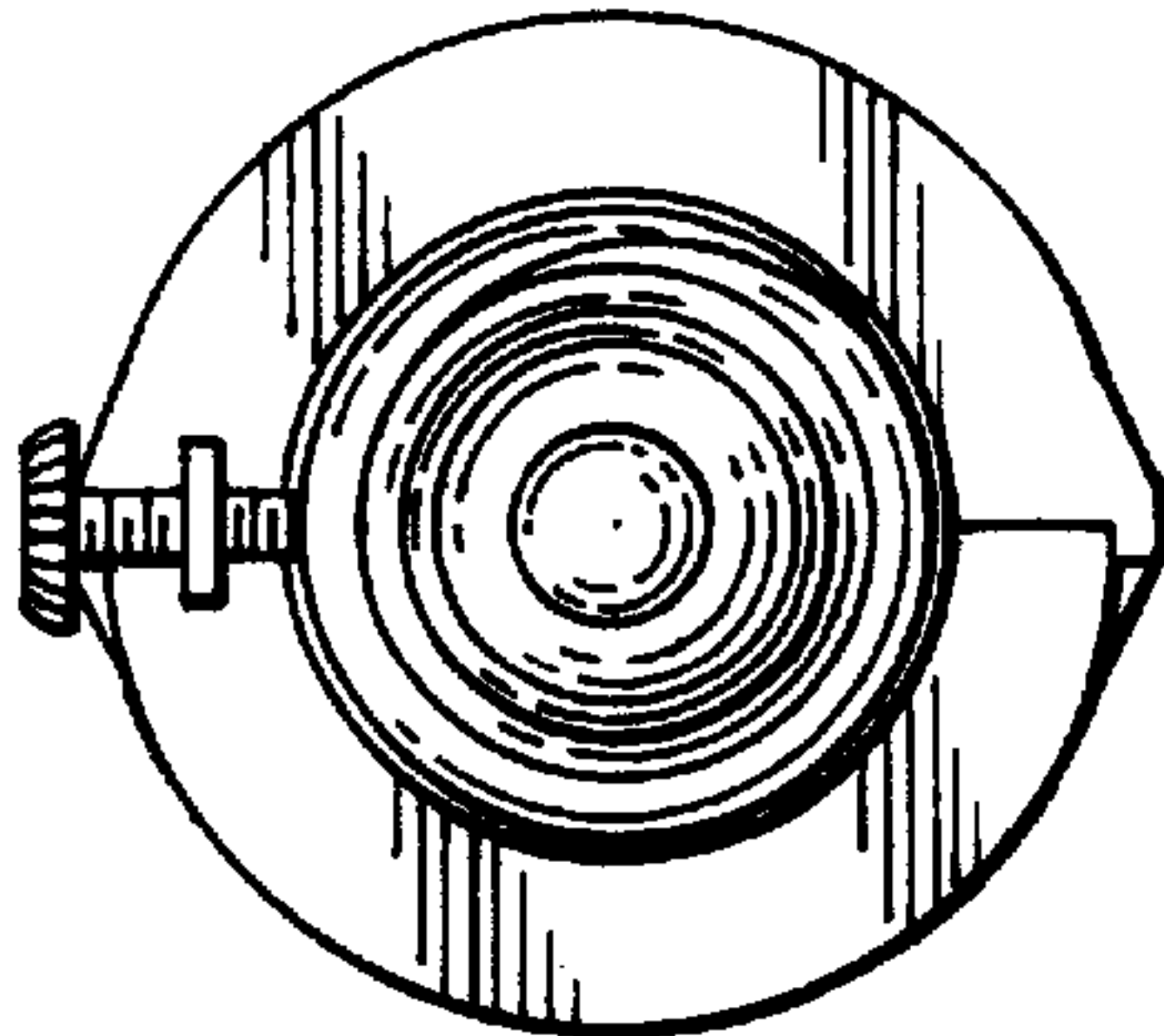


FIG. 4

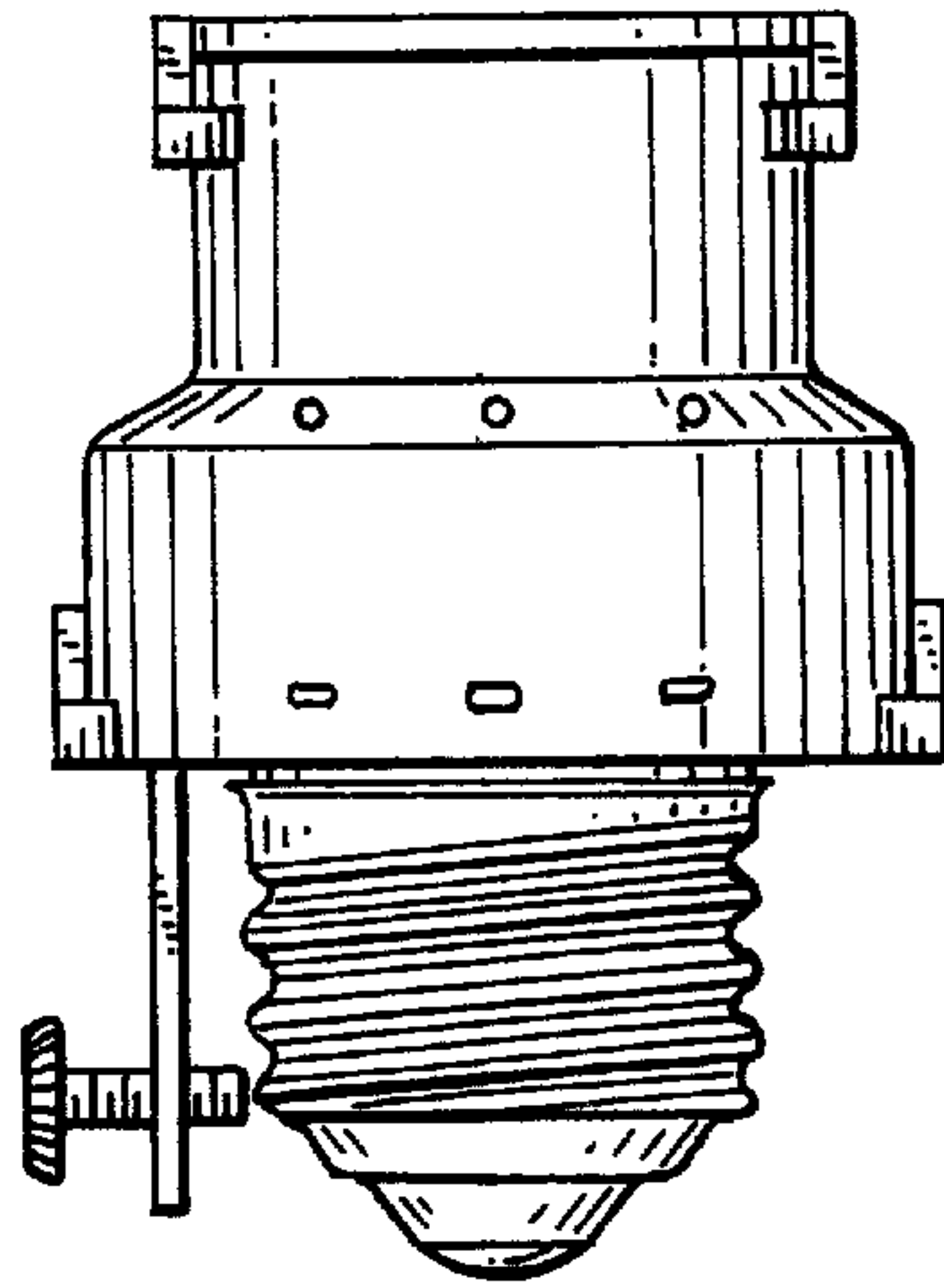


FIG. 5

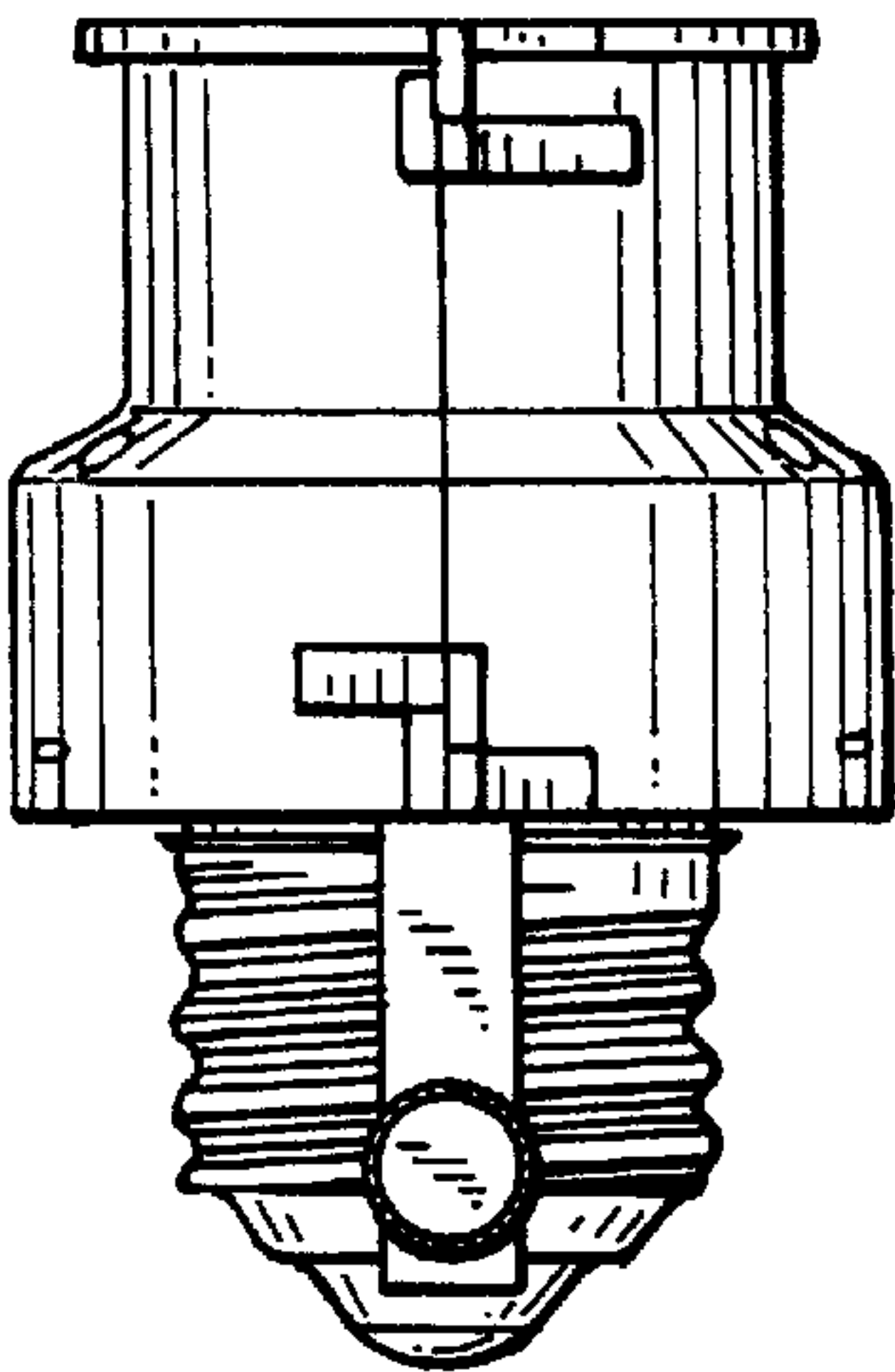


FIG. 6

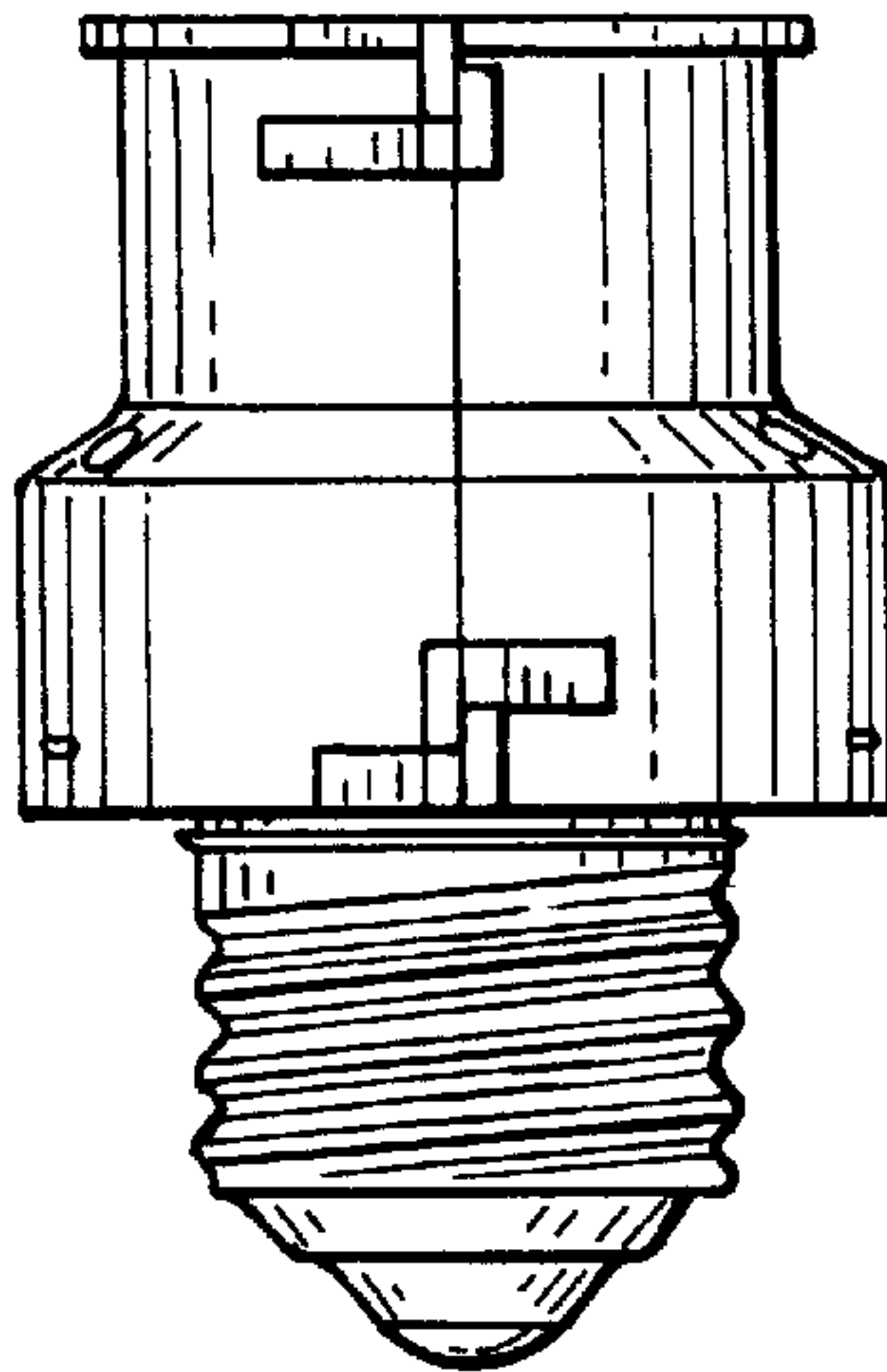


FIG. 7

