



US00D435828S

(12) **United States Design Patent**
Chou

(10) **Patent No.:** **US D435,828 S**

(45) **Date of Patent:** **** Jan. 2, 2001**

(54) **POWER SUPPLY**

6,038,126 * 3/2000 Weng 361/679

(75) Inventor: **Chin-Wen Chou**, Hsin-Tien (TW)

* cited by examiner

(73) Assignee: **Shin Jih Corp.**, Hsin-Tien (TW)

Primary Examiner—Joel Sincavage

(**) Term: **14 Years**

(74) *Attorney, Agent, or Firm*—Bacon & Thomas, PLLC

(21) Appl. No.: **29/125,743**

(57) **CLAIM**

(22) Filed: **Jun. 30, 2000**

The ornamental design for power supply, as shown and described.

(51) **LOC (7) Cl.** **13-01**

DESCRIPTION

(52) **U.S. Cl.** **D13/110**

FIG. 1 is a perspective view of a power supply showing our new design thereof;

(58) **Field of Search** D13/110; 307/64,
307/150; 361/695, 679; 363/144

FIG. 2 is a right side elevational view thereof;

FIG. 3 is a top plan view thereof;

FIG. 4 is a front elevational view thereof;

FIG. 5 is a bottom elevational view thereof;

FIG. 6 is a left side elevational view thereof; and,

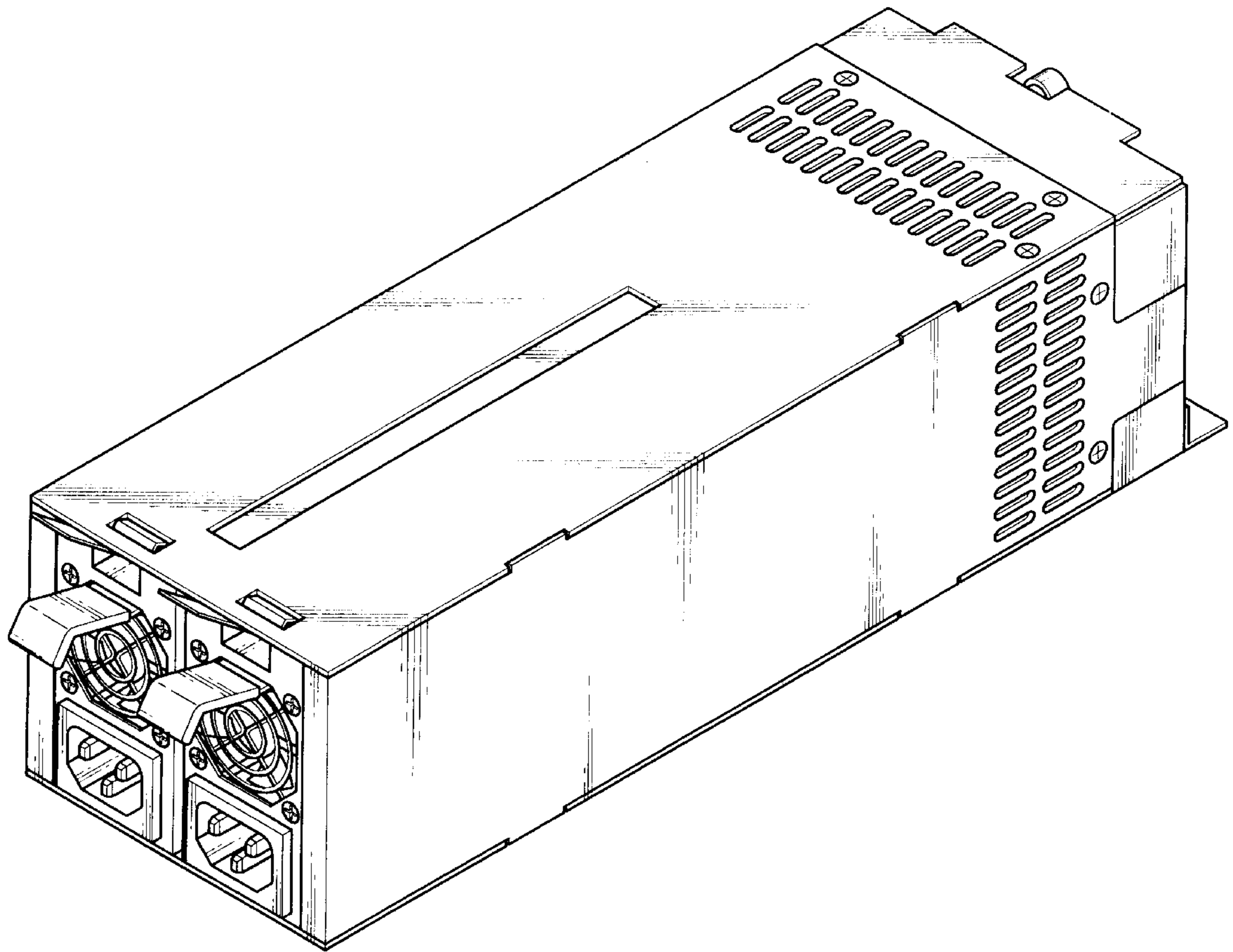
FIG. 7 is a rear elevational view thereof.

(56) **References Cited**

U.S. PATENT DOCUMENTS

D. 264,960	*	6/1982	Secretst	D13/110
D. 356,995	*	4/1995	Henderson et al.	D13/110
D. 418,808	*	1/2000	Lee	D13/110
5,969,965	*	10/1999	Byrne et al.	363/144

1 Claim, 6 Drawing Sheets



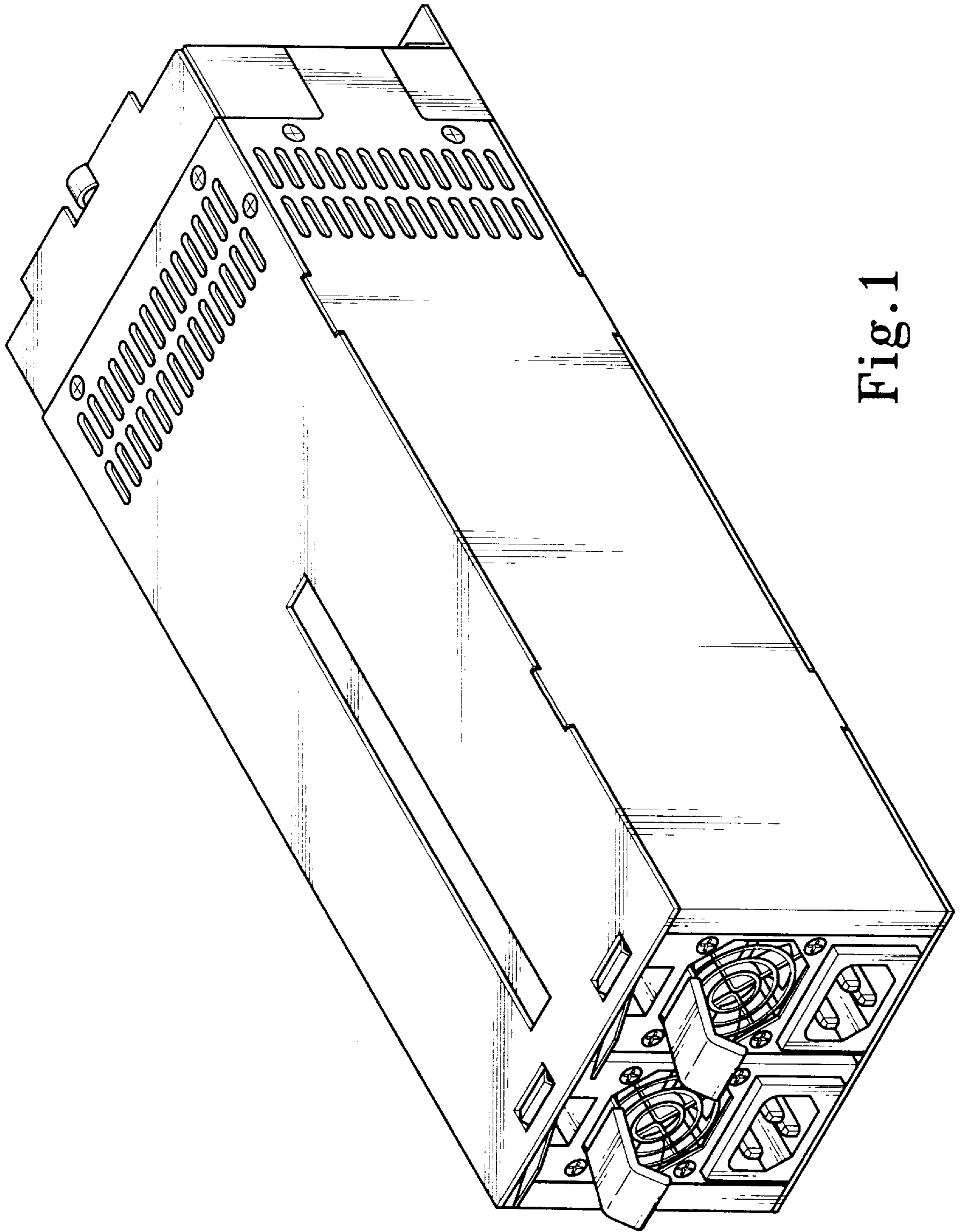


Fig. 1

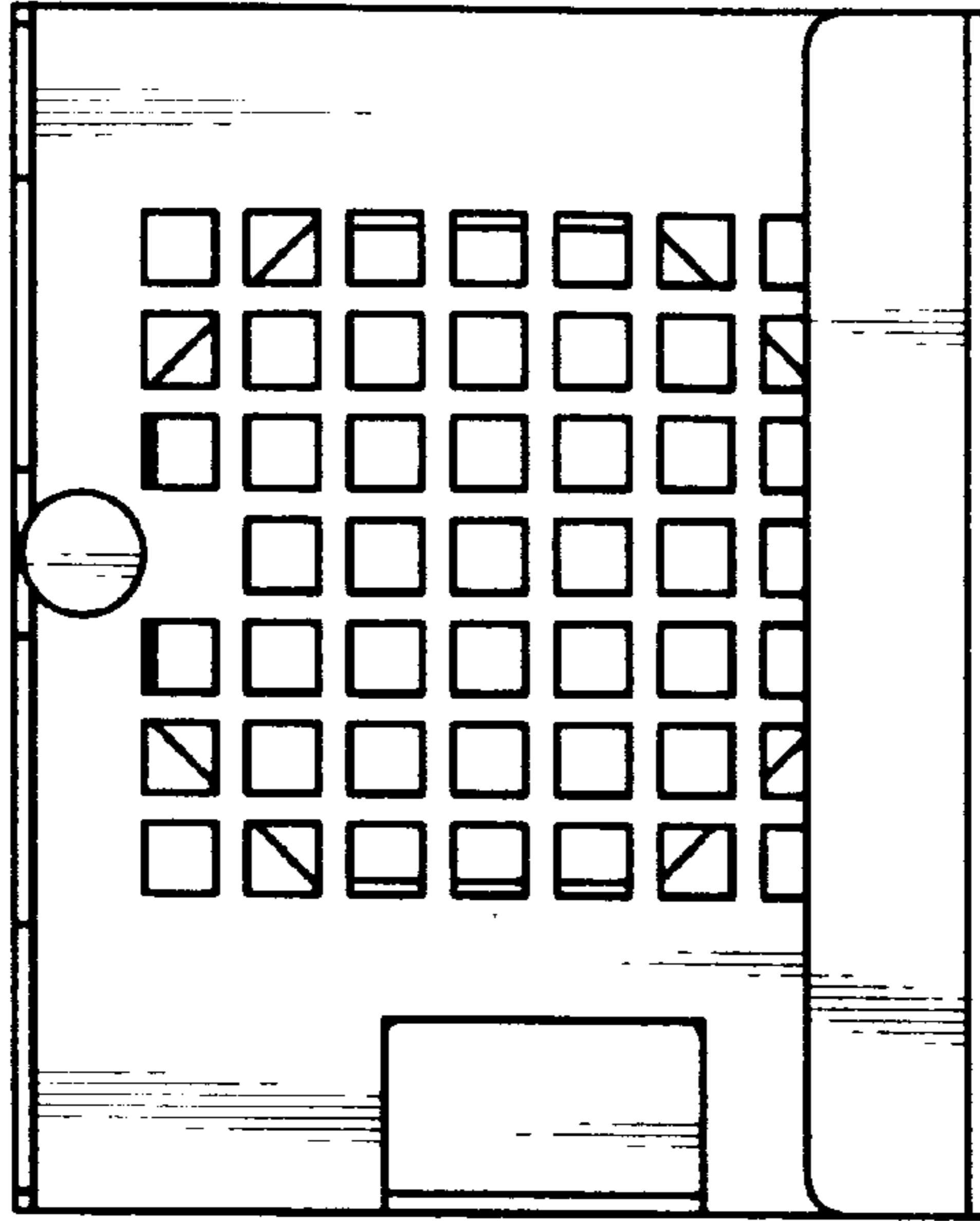


Fig. 2

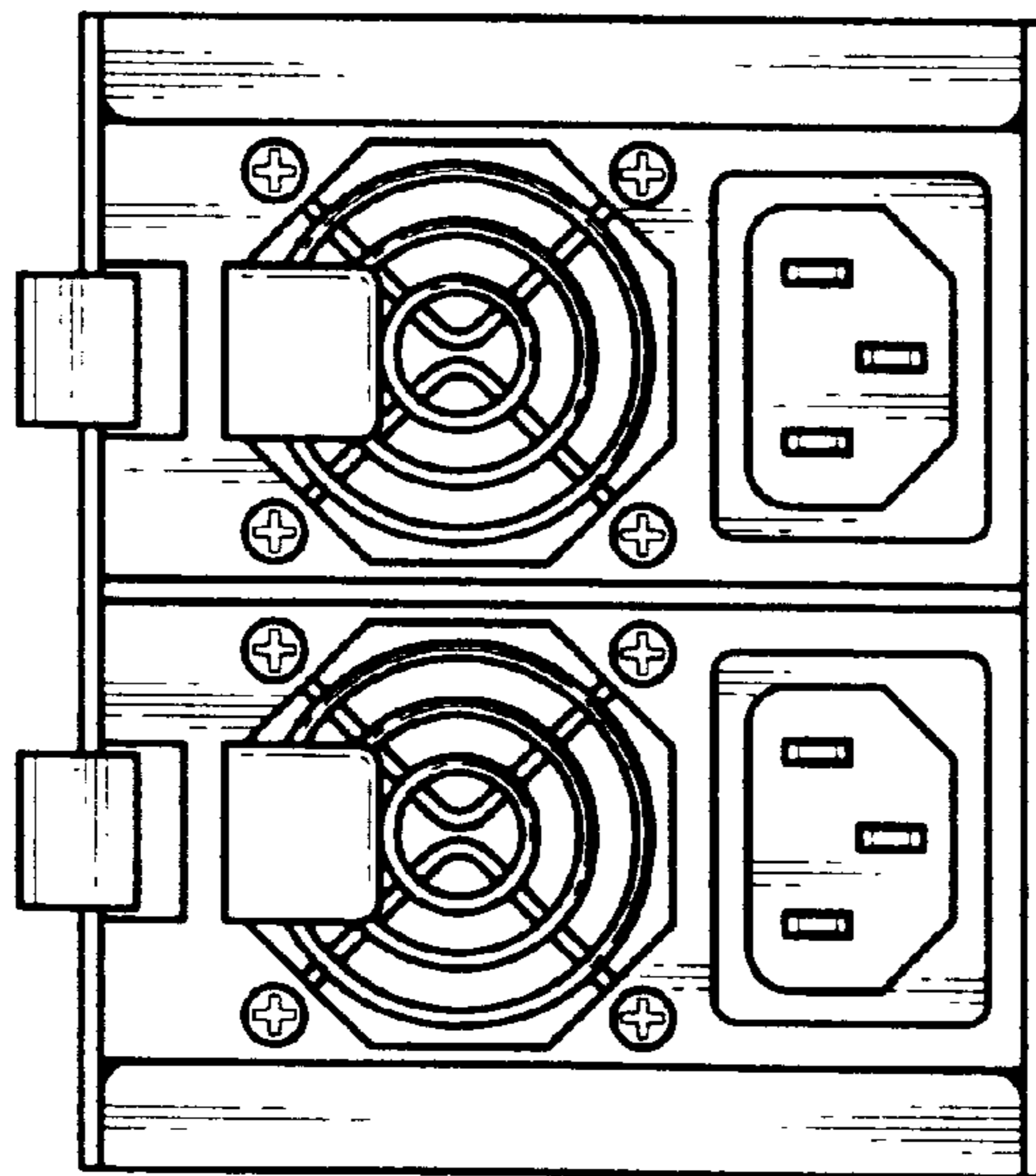


Fig. 6

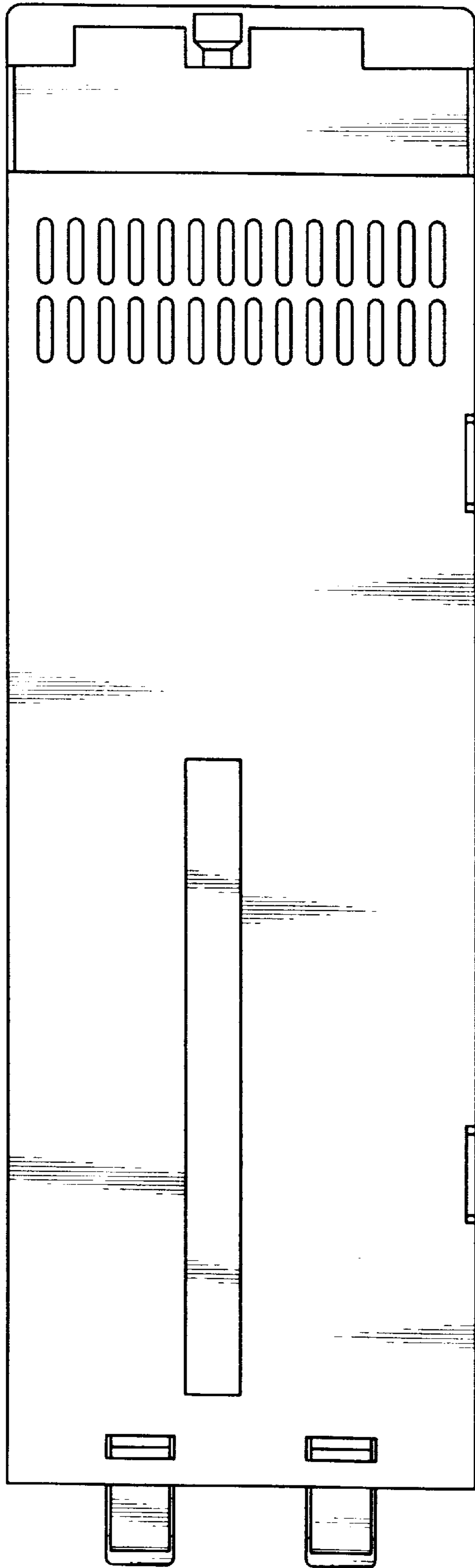


Fig. 3

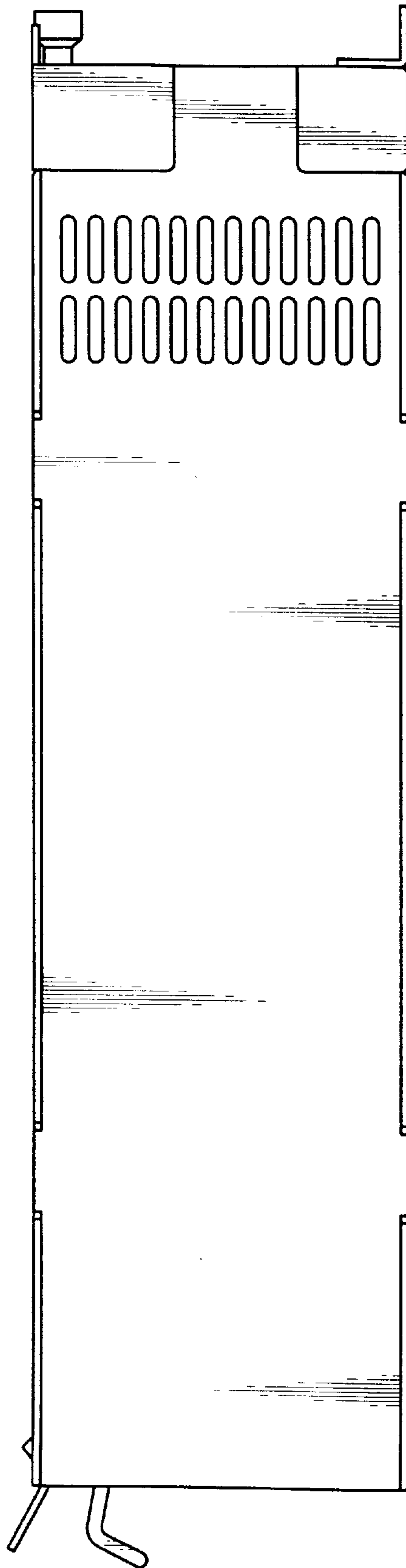


Fig. 4

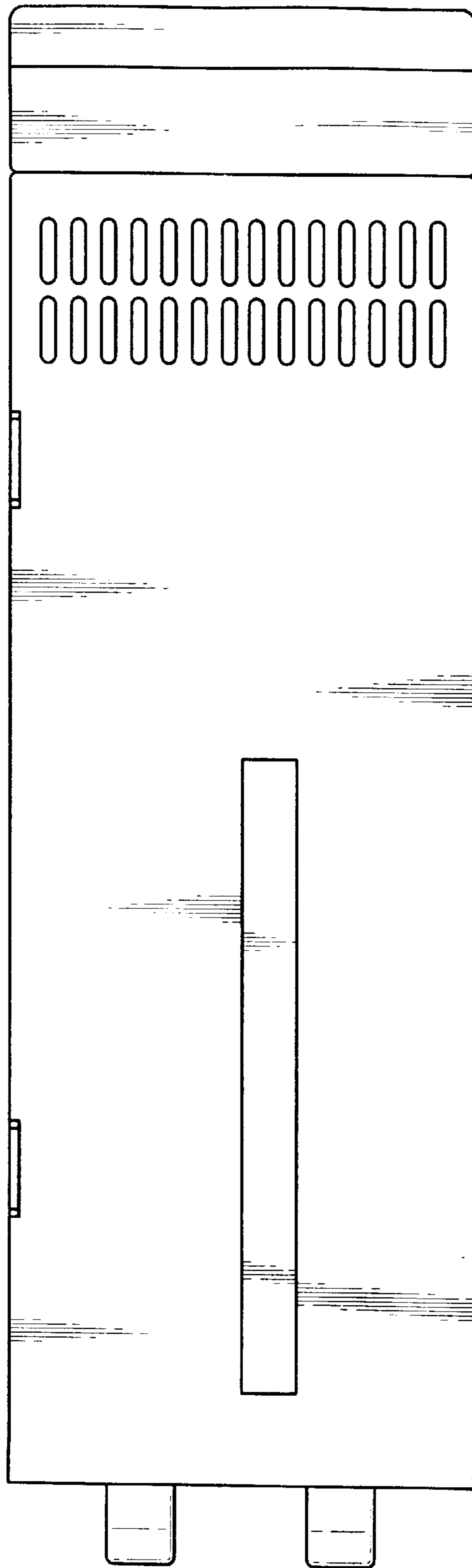


Fig. 5

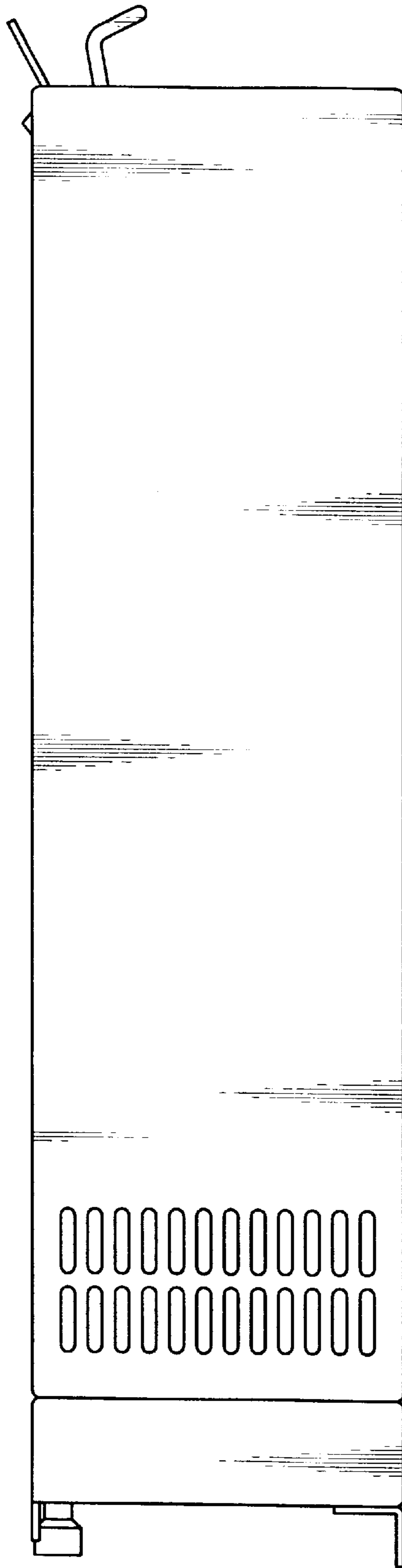


Fig. 7