



US00D435819S

(12) **United States Design Patent**
Spencer

(10) **Patent No.:** **US D435,819 S**

(45) **Date of Patent:** **** Jan. 2, 2001**

(54) **LICENSE PLATE FRAME**

(76) **Inventor:** **Paul E. Spencer**, 19475 Beacon Lite Rd., Monument, CO (US) 80132

(**) **Term:** **14 Years**

(21) **Appl. No.:** **29/126,640**

(22) **Filed:** **Jul. 21, 2000**

(51) **LOC (7) Cl.** **12-16**

(52) **U.S. Cl.** **D12/193**

(58) **Field of Search** D12/193; D6/300-303, D6/310-313, 314; 40/200-203, 207-211

(56) **References Cited**

U.S. PATENT DOCUMENTS

D. 78,200	*	4/1929	Fouch	D12/193
D. 163,320	*	5/1951	Porrett et al.	D12/193
D. 186,430	*	10/1959	Yoder	D12/193
D. 333,490	*	2/1993	Engelberts	D12/193 X
D. 368,692	*	4/1996	Pribble, Sr. et al.	D12/193
D. 370,450	*	6/1996	Doan	D12/193
D. 412,876	*	8/1999	Crecelius	D12/193
D. 413,848	*	9/1999	Doerr	D12/193
D. 415,987	*	11/1999	Romero	D12/193

D. 416,527	*	11/1999	Steinhagen	D12/193
D. 428,843	*	8/2000	Steinhagen	D12/193

* cited by examiner

Primary Examiner—Stacia Cadmus

(74) *Attorney, Agent, or Firm*—Timothy Thut Tyson Freilich, Hornbaker & Rosen

(57) **CLAIM**

The ornamental design for a license plate frame, as shown and described.

DESCRIPTION

FIG. 1 is a front elevation view for a license plate frame showing my new design;
 FIG. 2 is a rear elevation view thereof;
 FIG. 3 is a top plan view thereof;
 FIG. 4 is a bottom plan view thereof;
 FIG. 5 is a right side elevation view thereof;
 FIG. 6 is a left elevation view thereof;
 FIG. 7 is a front, top, right side, perspective view thereof; and,
 FIG. 8 is a rear, top, left side, perspective view thereof.

1 Claim, 5 Drawing Sheets

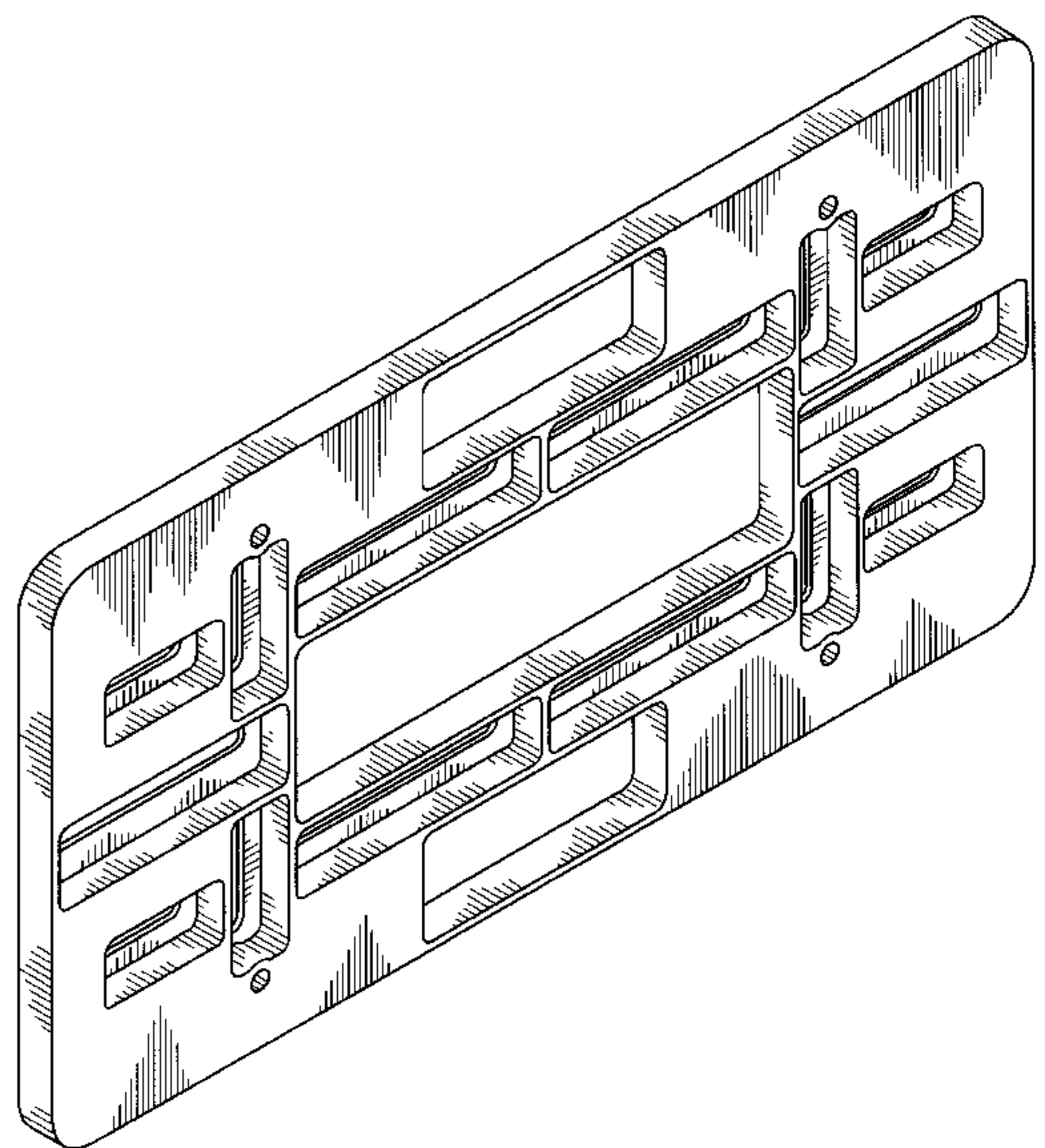
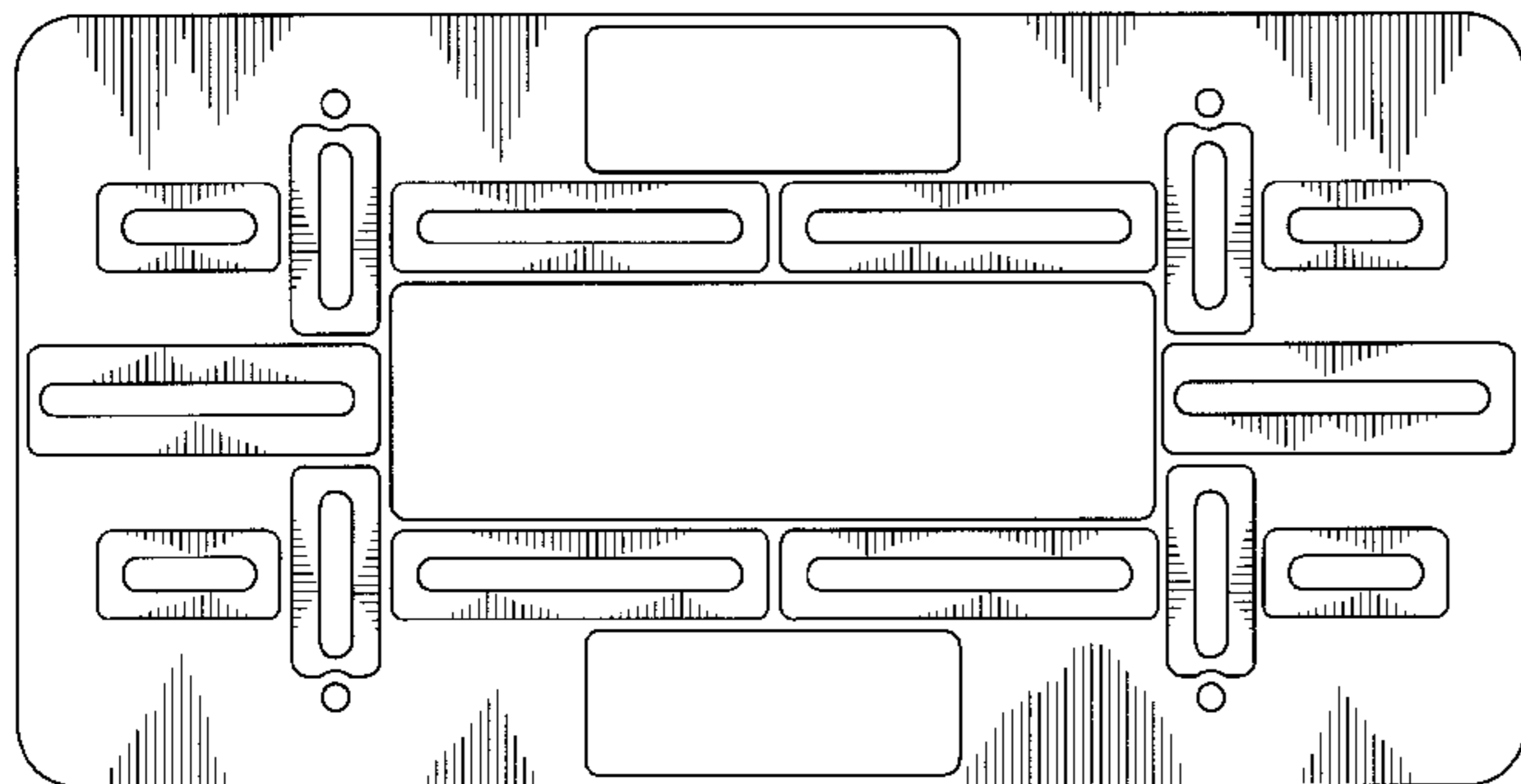


Fig. 1

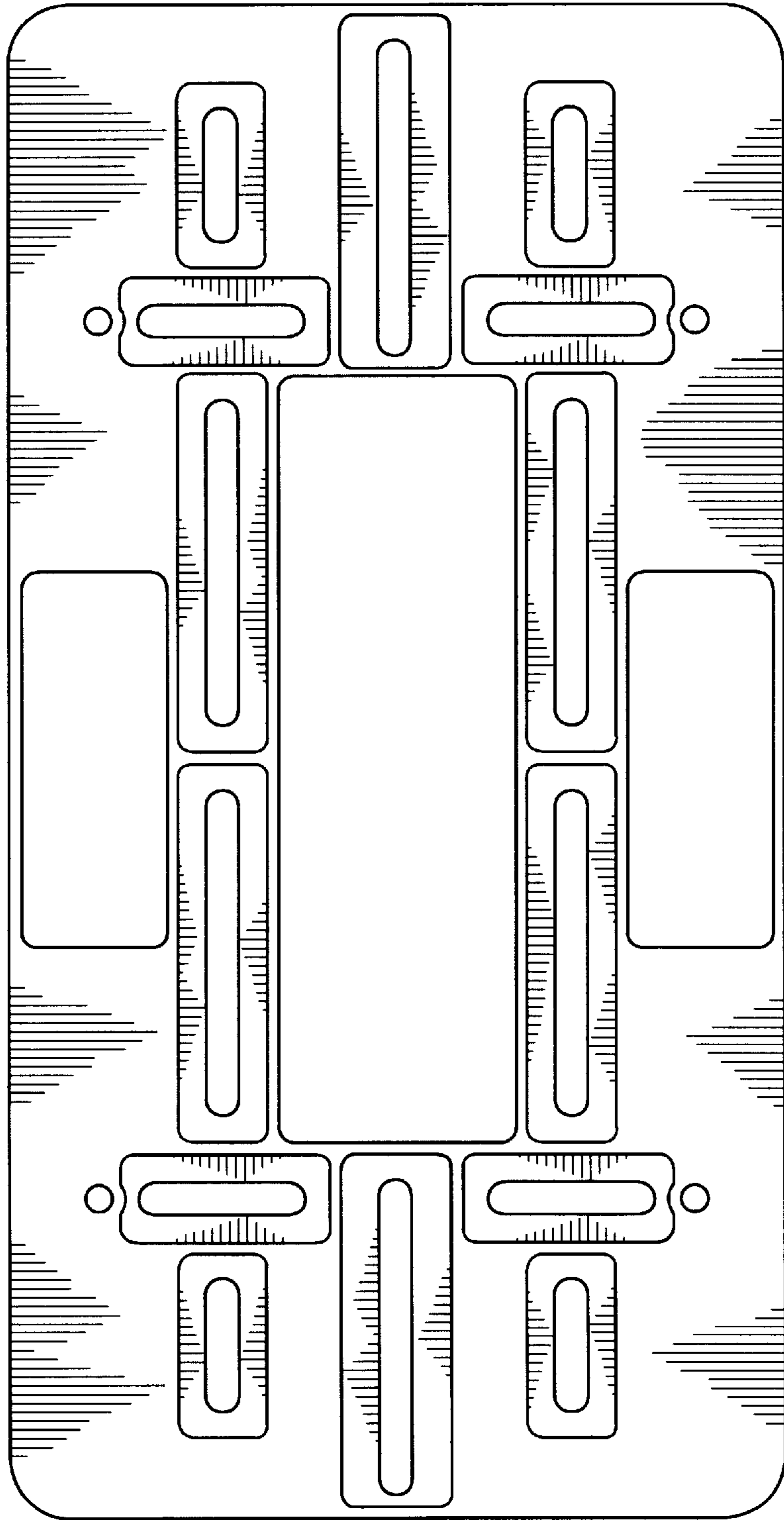
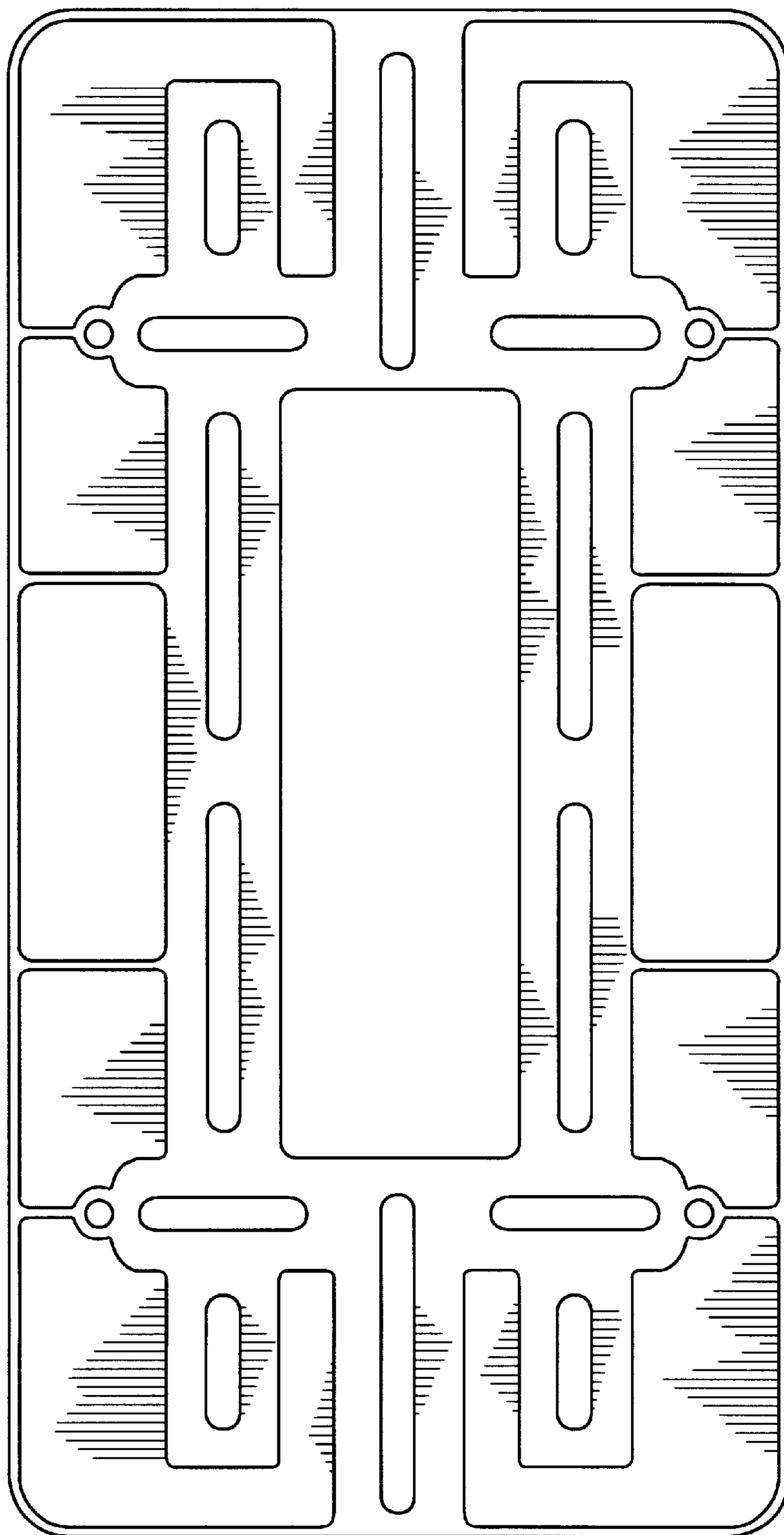


Fig. 2



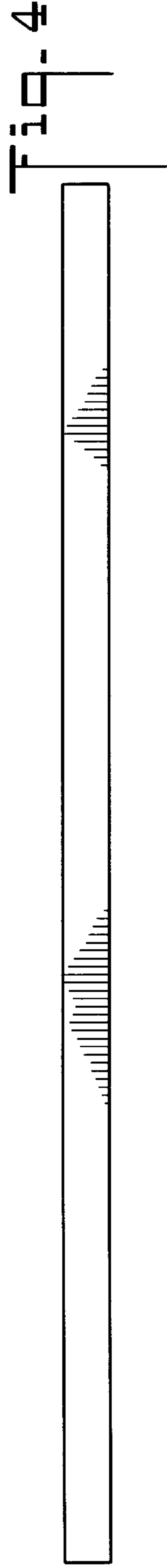
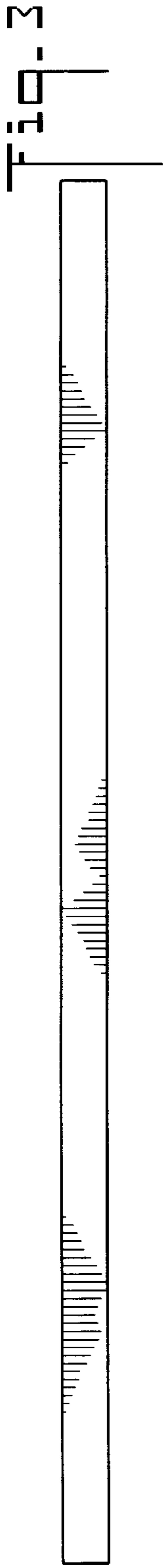


Fig. 6



Fig. 5

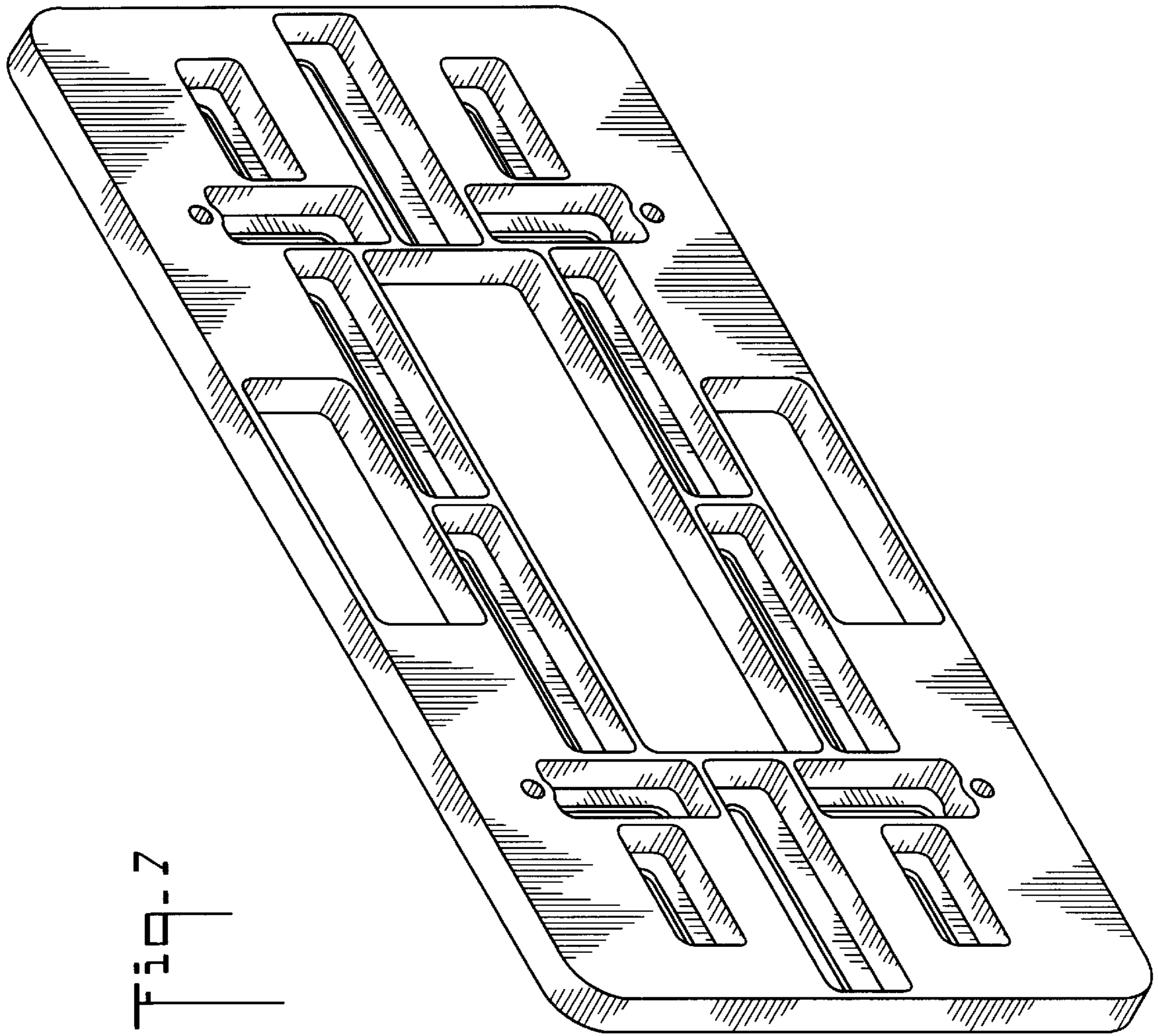


Fig-2

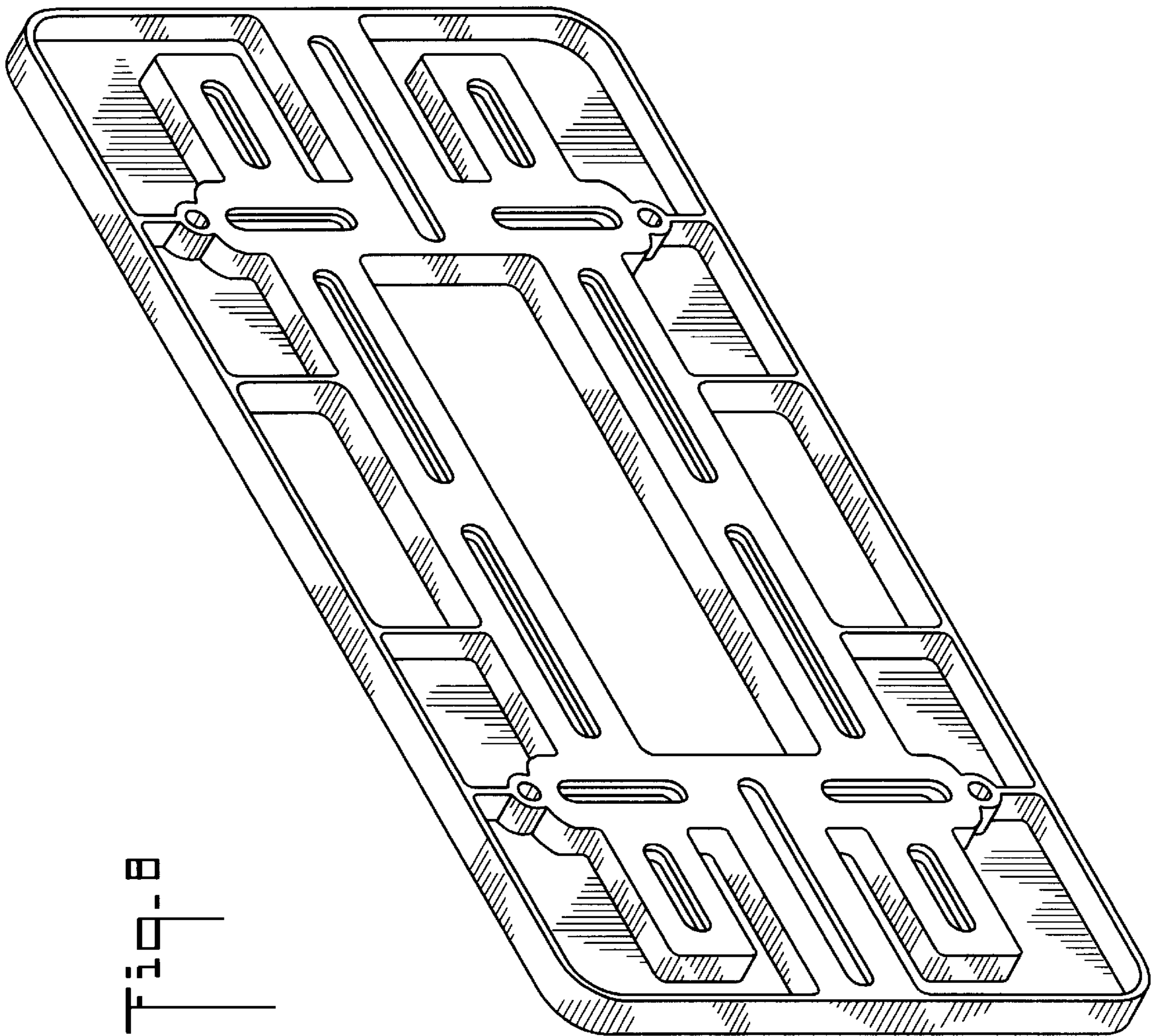


Fig. 8