



US00D435818S

(12) **United States Design Patent**
Shimizu et al.

(10) **Patent No.:** **US D435,818 S**

(45) **Date of Patent:** **** Jan. 2, 2001**

(54) **VEHICLE CONSOLE**

(75) Inventors: **Toshimitsu Shimizu**, Rancho Palos Verdes; **Jose N. Wyszogrod**, Los Angeles, both of CA (US)

(73) Assignee: **Honda Giken Kogyo Kabushiki Katsha**, Tokyo (JP)

(**) Term: **14 Years**

(21) Appl. No.: **29/121,902**

(22) Filed: **Apr. 18, 2000**

(51) **LOC (7) Cl.** **12-16**

(52) **U.S. Cl.** **D12/192**

(58) **Field of Search** D12/192, 415, D12/423-426; 296/37.1-37.8, 70, 190-191; 180/90; 280/750-752, 770; D23/327, 354, 387; D10/49-51

(56) **References Cited**

U.S. PATENT DOCUMENTS

- D. 369,999 * 5/1996 Sacco et al. D12/192
- D. 385,847 * 11/1997 Ma et al. D12/415

- D. 389,798 * 1/1998 Ma et al. D12/192
- D. 401,545 * 11/1998 Sacco et al. D12/192
- D. 411,498 * 6/1999 Pourias D12/192
- D. 417,267 * 11/1999 Sacco et al. D12/192 X
- D. 424,002 * 5/2000 Leschke et al. D12/192
- D. 425,475 * 5/2000 Herer D12/424
- D. 431,220 * 9/2000 Wyszogrod et al. D12/192

* cited by examiner

Primary Examiner—Stacia Cadmus

(74) *Attorney, Agent, or Firm*—Banner & Witcoff, Ltd.

(57) **CLAIM**

The ornamental design for a vehicle console, as shown and described.

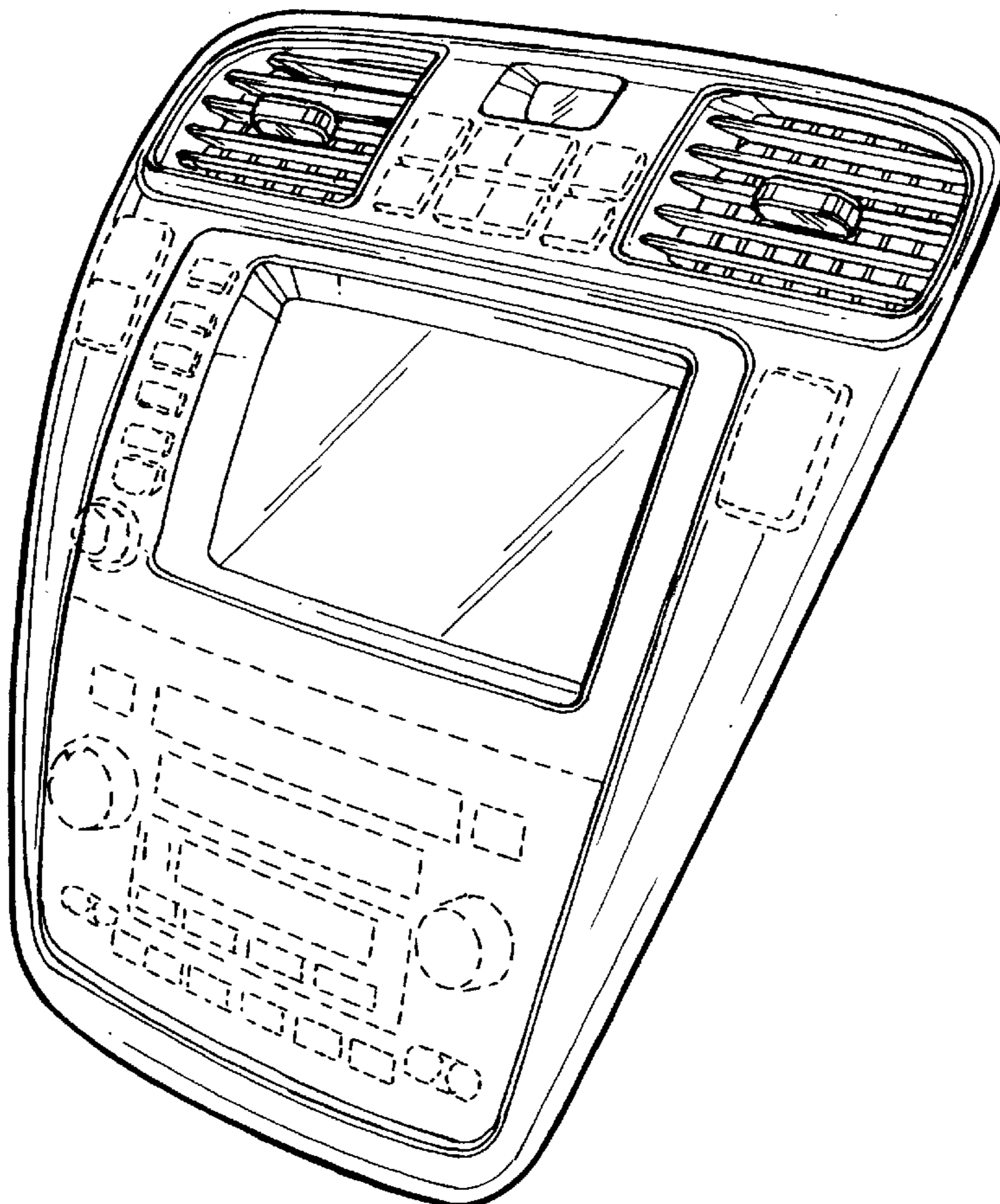
DESCRIPTION

FIG. 1 is a plan view of a vehicle console showing our new design; and,

FIG. 2 is a perspective view thereof.

The broken line showing of the buttons, indicators and audio components is for illustrative purposes only and forms no part of the claimed design.

1 Claim, 1 Drawing Sheet



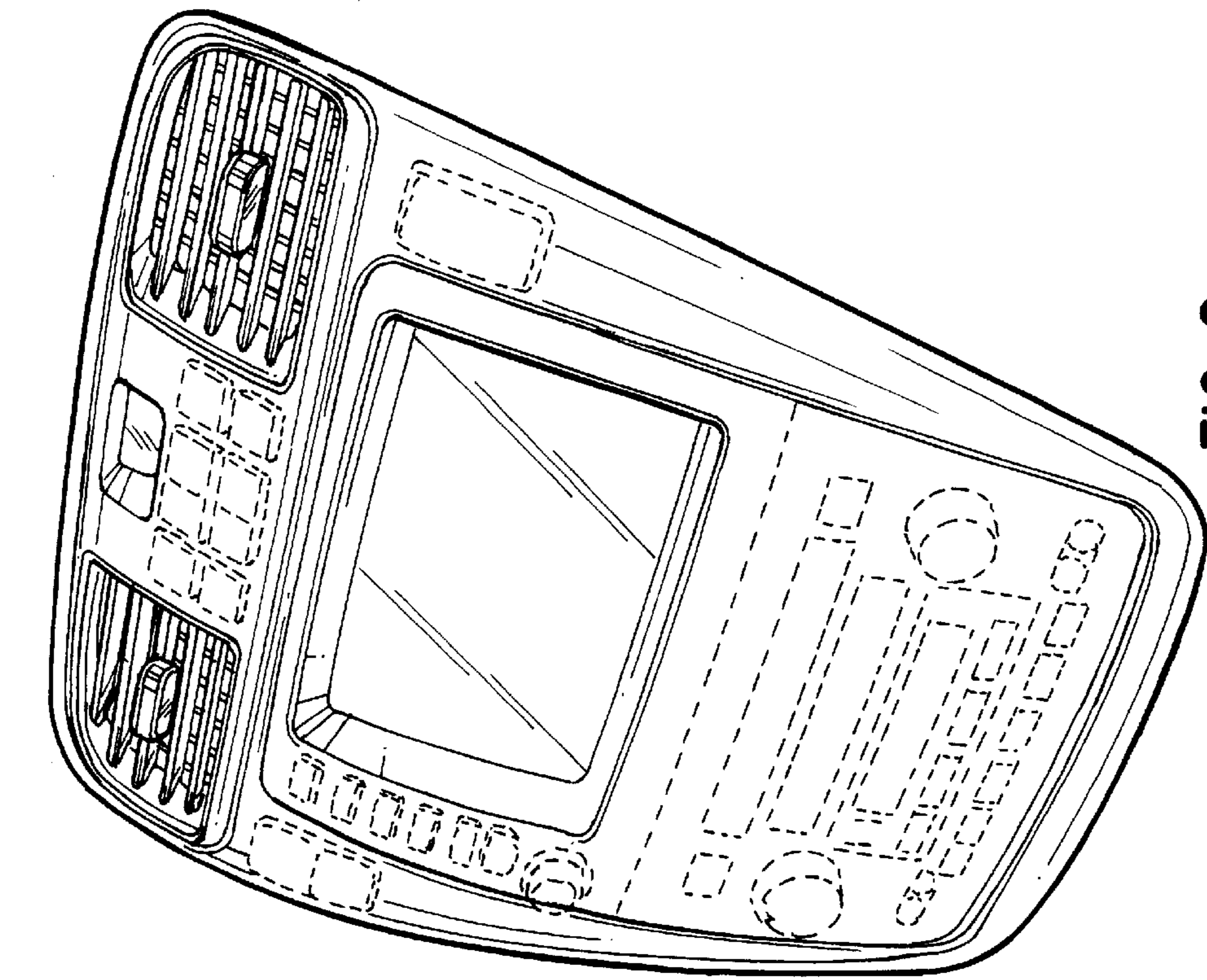


FIG. 1

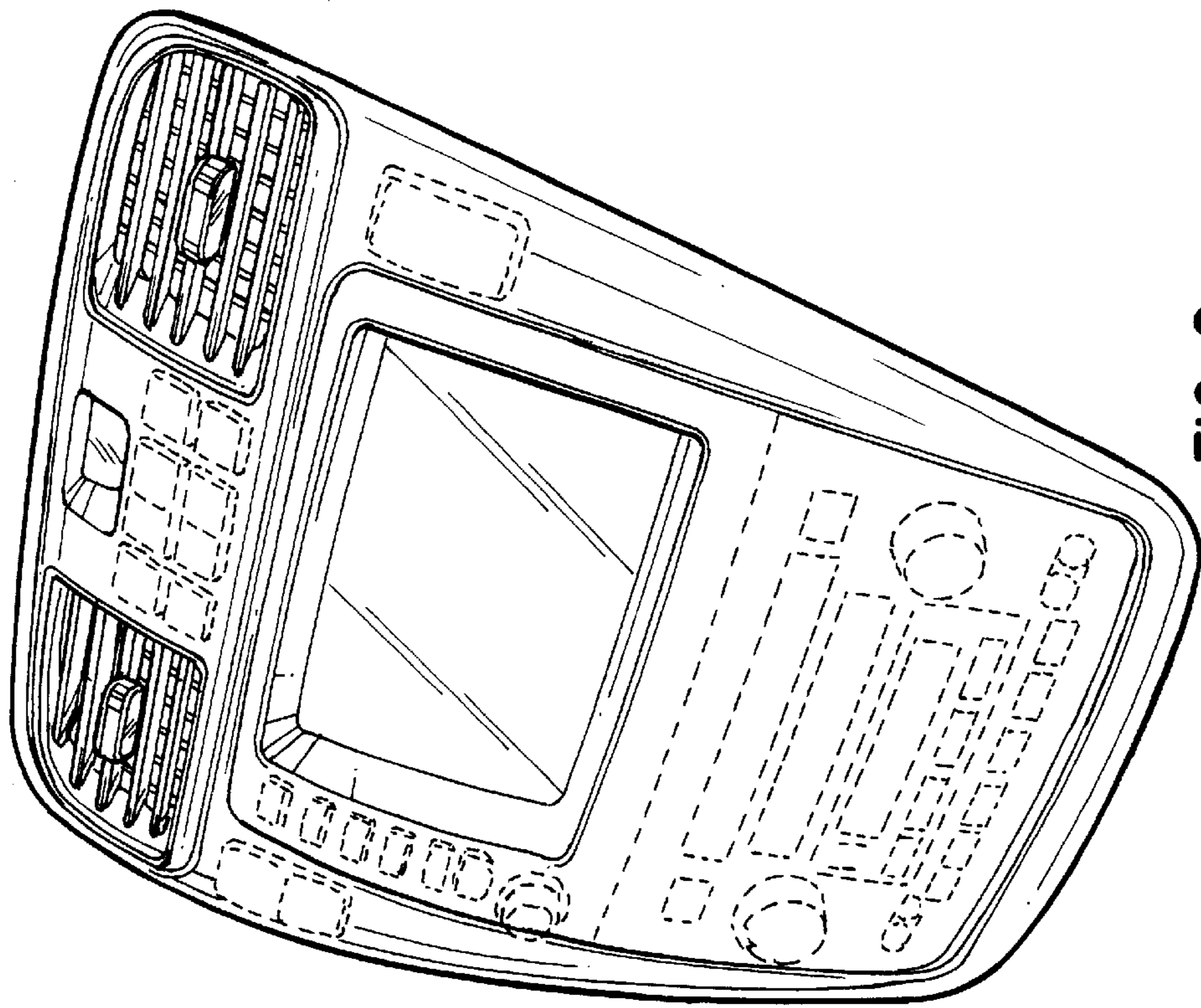


FIG. 2