



US00D435811S

(12) **United States Design Patent**
Smith

(10) **Patent No.:** **US D435,811 S**

(45) **Date of Patent:** **** Jan. 2, 2001**

(54) **PROTECTIVE COVER FOR GEAR SHIFT LEVER**

(76) **Inventor:** **Ronnie K Smith**, 1392 Vida Ct., Columbus, OH (US) 43228

(**) **Term:** **14 Years**

(21) **Appl. No.:** **29/123,185**

(22) **Filed:** **May 12, 2000**

(51) **LOC (7) Cl.** **12-11**

(52) **U.S. Cl.** **D12/126; D12/179; D12/114**

(58) **Field of Search** **D12/126, 179, D12/114; D8/303; 280/288.4; 74/558.1, 558.5; 150/1.55**

(56) **References Cited**

U.S. PATENT DOCUMENTS

D. 320,922 * 10/1991 Turkis D8/303

D. 341,562 * 11/1993 Minniefield D12/114

D. 352,800 * 11/1994 Teung D8/303

* cited by examiner

Primary Examiner—Melody N. Brown

(57) **CLAIM**

The ornamental design for a protective cover for gear shift lever, as shown and described.

DESCRIPTION

The nature and intended use of the article being an ornamental design to be installed around gear shift lever to prevent wear and tear on shoes.

FIG. 1 is a front elevational view of the protective cover for gear shift lever of the present invention, the rear view being a mirror image thereof;

FIG. 2 is a top, front, left side perspective view of the protective cover for gear shift lever of FIG. 1;

FIG. 3 is a left side elevational view of the protective cover for gear shift lever of FIG. 1; and,

FIG. 4 is a right side elevational view of the protective cover for gear shift lever of FIG. 1.

The broken lines showing of a gear shift lever in FIG. 2 is for illustrative purposes only and form no part of the claimed design.

The bottom view of the body of the shift cover is substantially similar to the top view.

The bottom view of the tassels is un-ornamental and not part of the claimed design.

1 Claim, 3 Drawing Sheets

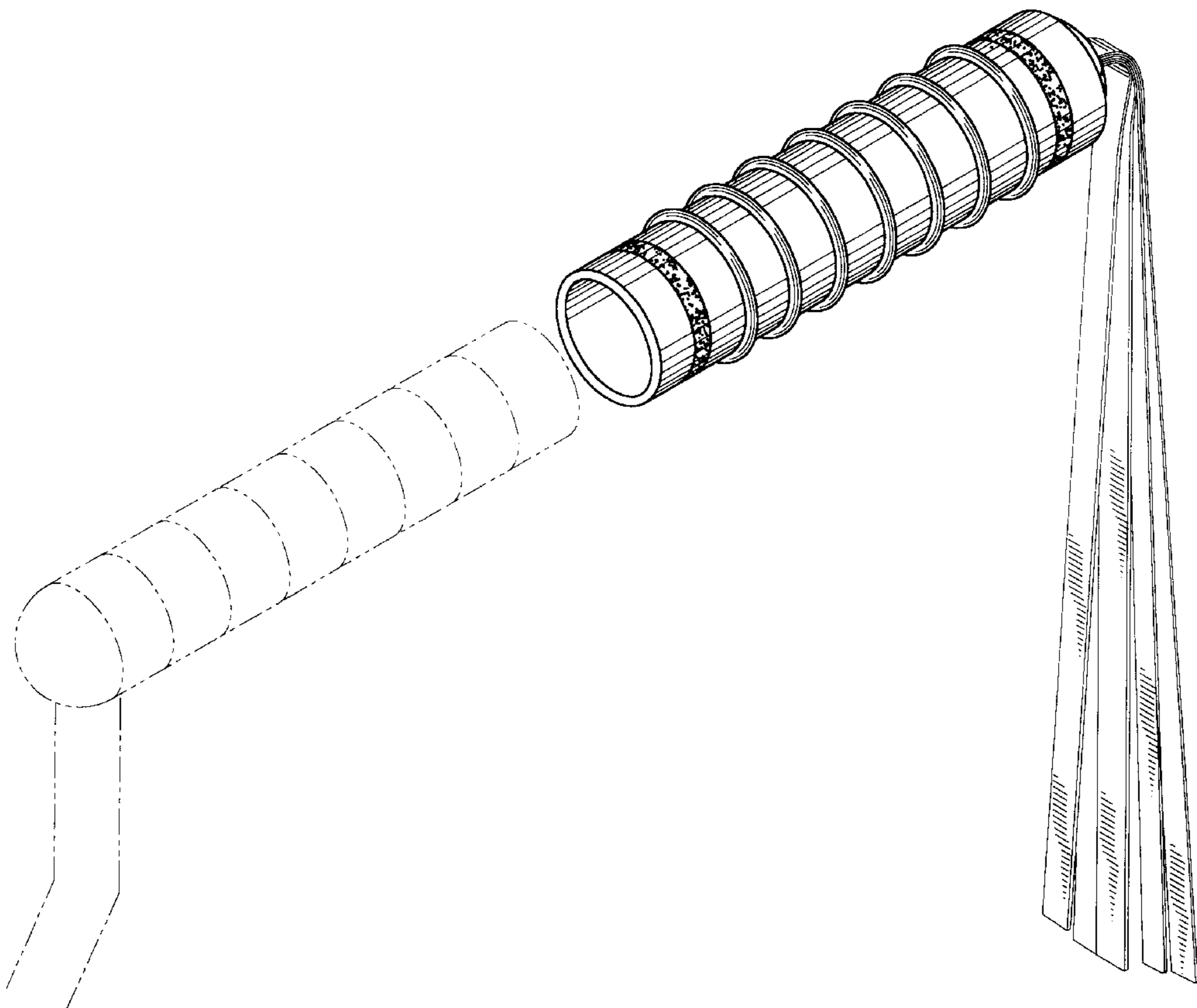
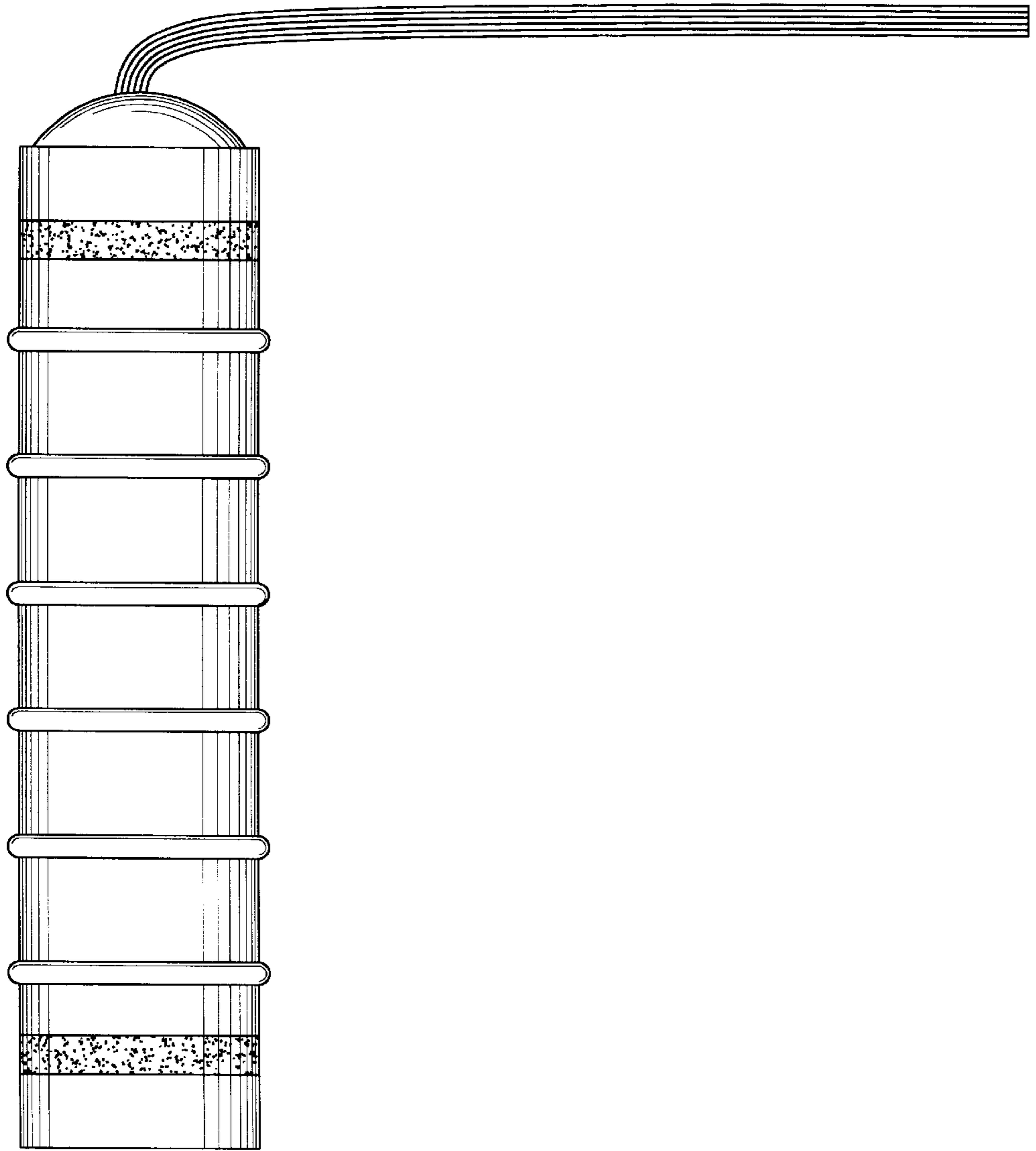


FIG. 1



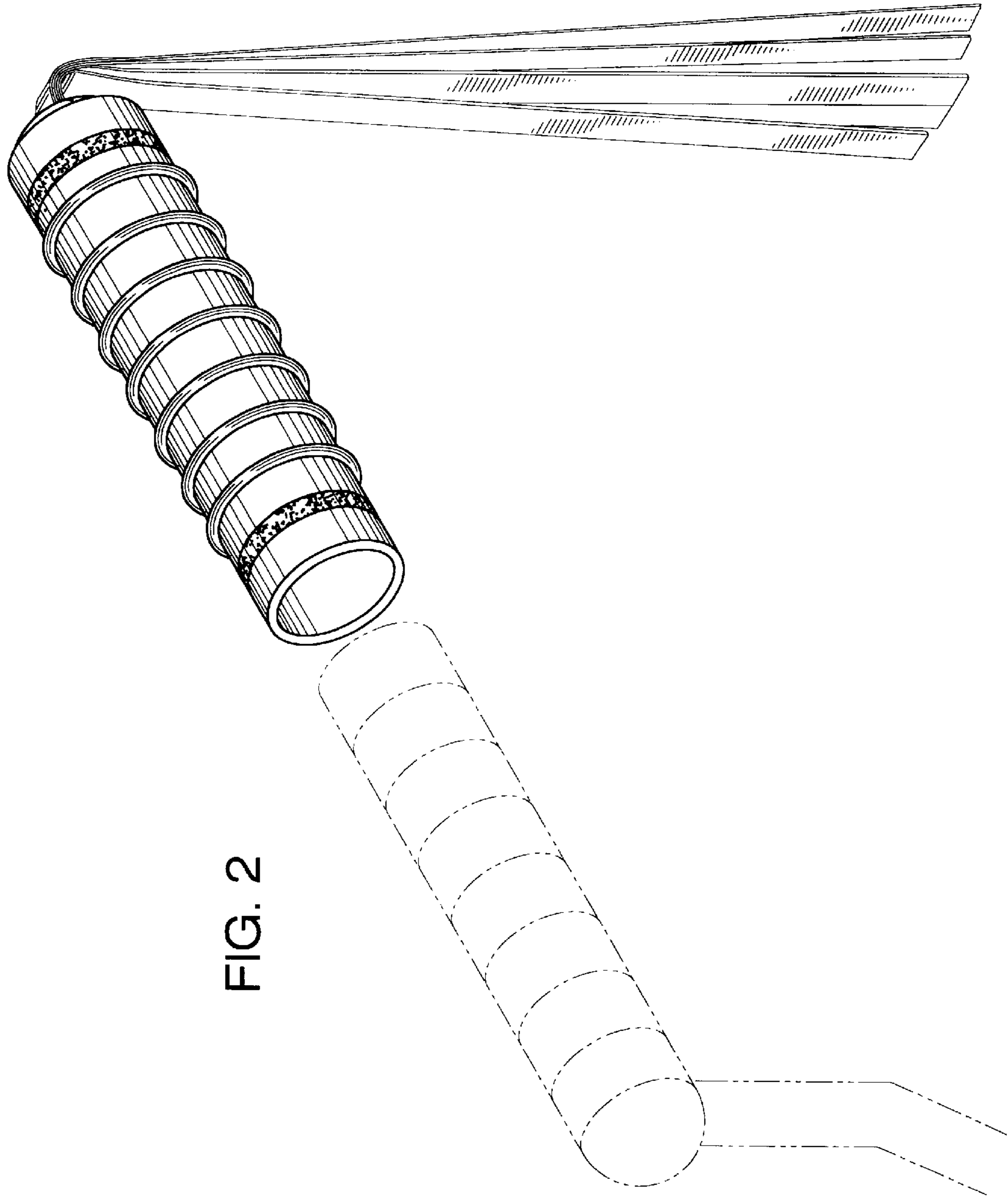


FIG. 2

FIG. 3

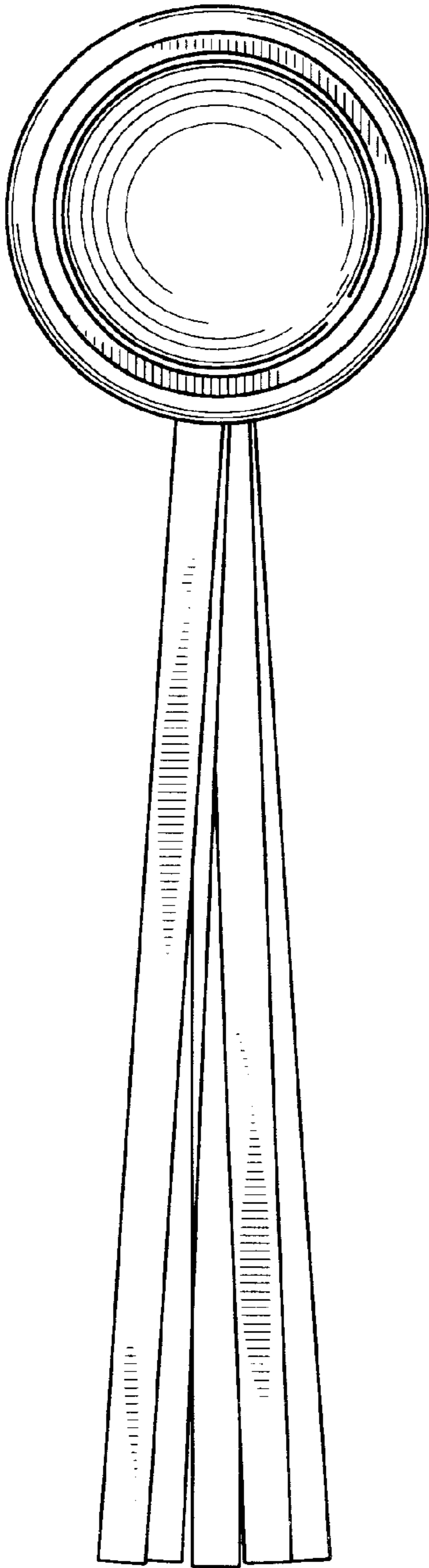


FIG. 4

