



US00D435809S

(12) **United States Design Patent**
Meindl

(10) **Patent No.:** **US D435,809 S**

(45) **Date of Patent:** **** Jan. 2, 2001**

(54) **TRAMWAY RAIL**

(75) **Inventor:** **Bernd Meindl, Hard (AT)**

(73) **Assignee:** **Innova Patent GmbH, Wolfurt (AT)**

(**) **Term:** **14 Years**

(21) **Appl. No.:** **29/121,541**

(22) **Filed:** **Apr. 6, 2000**

Related U.S. Application Data

(62) Division of application No. 29/113,597, filed on Nov. 5, 1999, now Pat. No. Des. 429,183.

(51) **LOC (7) Cl.** **12-03**

(52) **U.S. Cl.** **D12/50**

(58) **Field of Search** D12/50, 400; 704/93,
704/110; D25/74; D34/28, 29; D21/565,
564; 104/94

(56) **References Cited**

U.S. PATENT DOCUMENTS

D. 191,601 * 10/1961 Scott D12/50

D. 236,331 * 8/1975 Edwards D12/50
D. 281,002 * 10/1985 Olsen D21/564
D. 317,186 * 5/1991 Schaefer D21/564
D. 346,767 * 5/1994 Fujita D12/50
D. 353,791 * 12/1994 Brandan et al. D12/50
2,825,291 * 3/1958 Chadenson 104/94

* cited by examiner

Primary Examiner—Stacia Cadmus

(74) *Attorney, Agent, or Firm*—Herbert L. Lerner;
Laurence A. Greenberg; Werner H. Stemer

(57) **CLAIM**

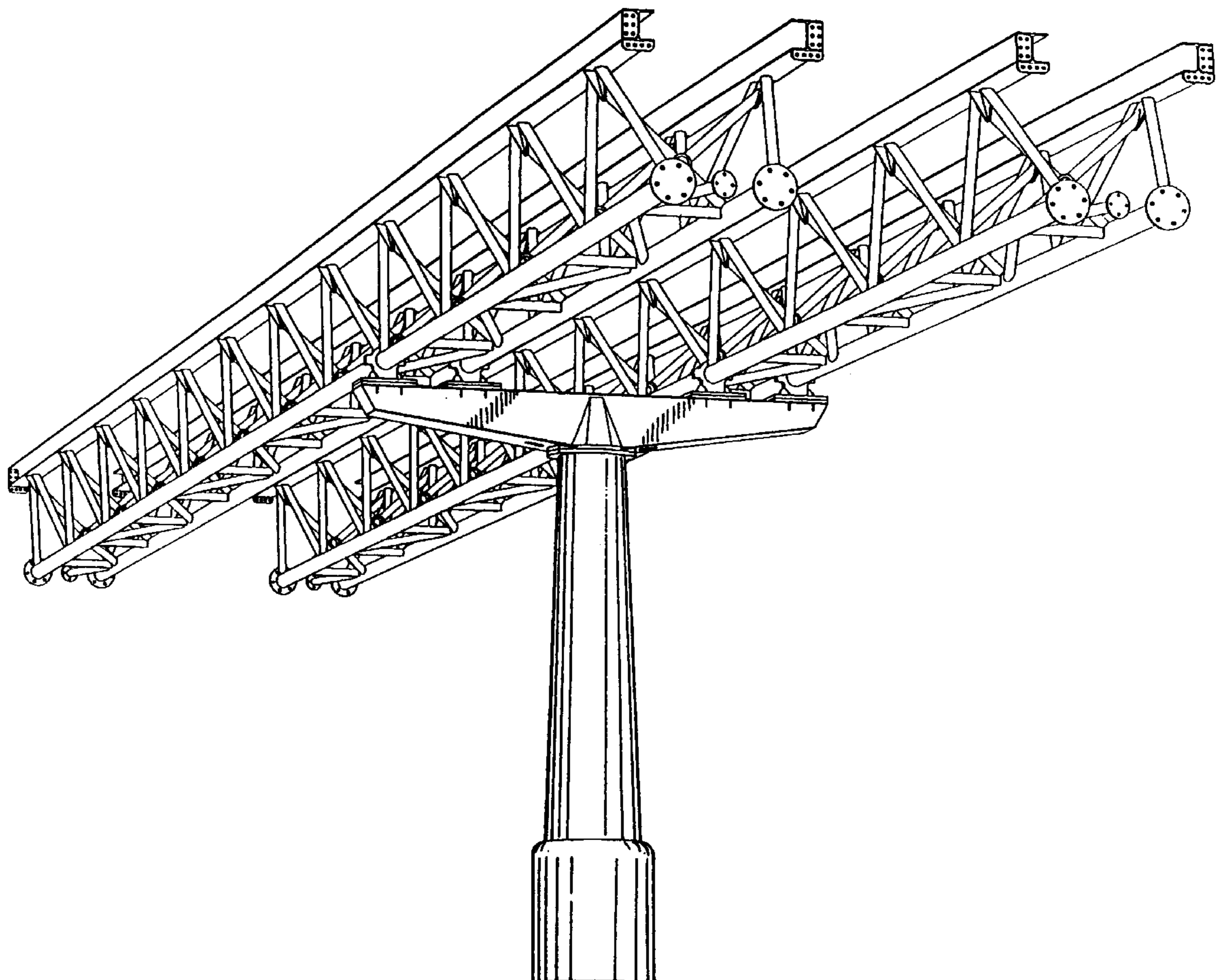
The ornamental design for a tramway rail, as shown and described.

DESCRIPTION

FIG. 1 is a front perspective view of a tramway rail, showing my new design; and,

FIG. 2 is a side perspective view thereof.

1 Claim, 2 Drawing Sheets



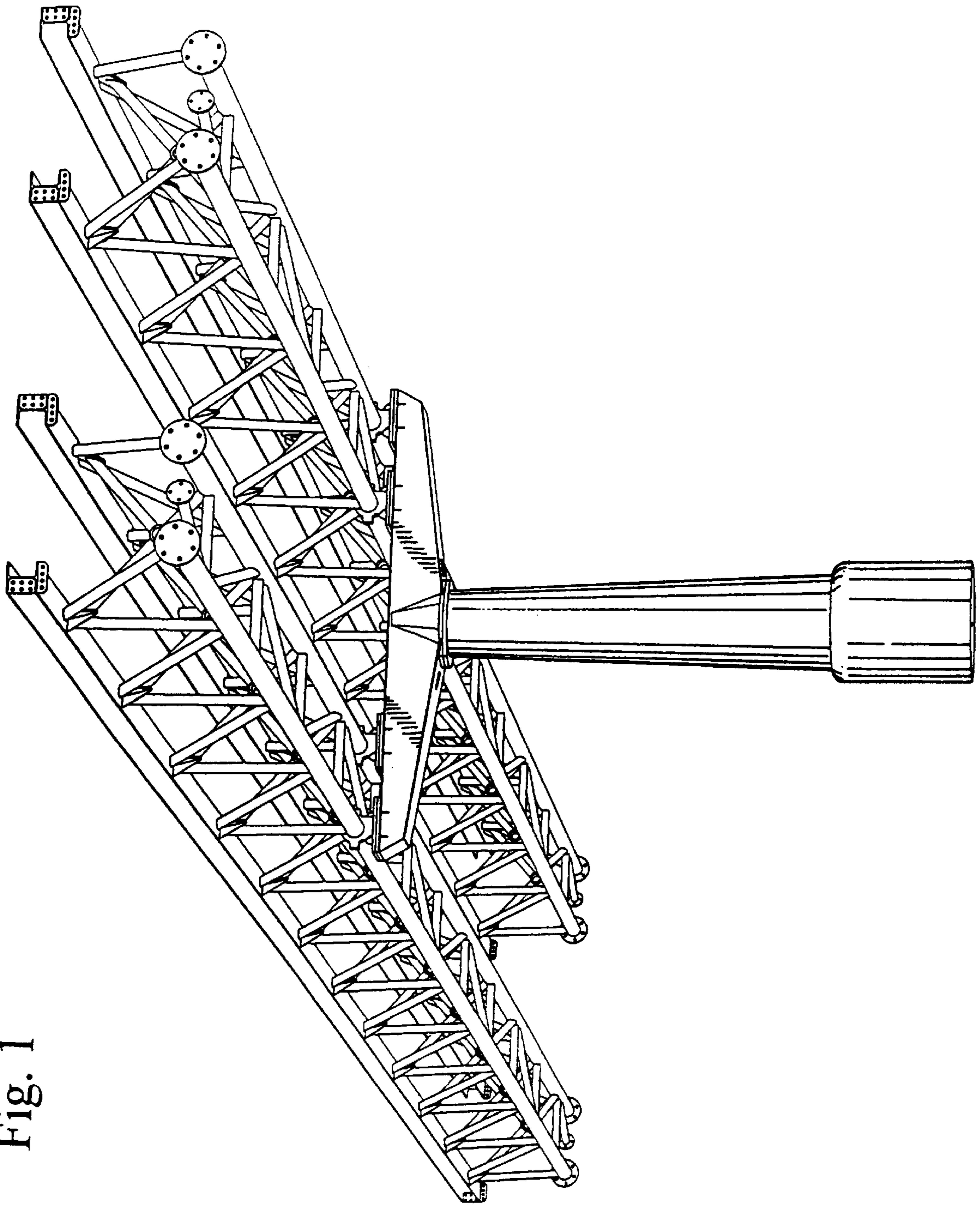


Fig. 1

Fig. 2

