



US00D435800S

(12) **United States Design Patent**  
**Higashi et al.**

(10) **Patent No.:** **US D435,800 S**

(45) **Date of Patent:** **\*\* Jan. 2, 2001**

(54) **FIRE DETECTOR**

(75) Inventors: **Kentaro Higashi; Misaki Kishimoto,**  
both of Tokyo (JP)

(73) Assignee: **Nohmi Bosai Ltd.,** Tokyo (JP)

(\*\*) Term: **14 Years**

(21) Appl. No.: **29/111,502**

(22) Filed: **Sep. 29, 1999**

(30) **Foreign Application Priority Data**

Mar. 29, 1999 (JP) ..... 11-7560

(51) **LOC (7) Cl.** ..... **10-05**

(52) **U.S. Cl.** ..... **D10/106**

(58) **Field of Search** ..... D10/104, 106,  
D10/116, 121; 340/571, 572, 573, 577,  
578, 628, 629, 630

(56) **References Cited**

**U.S. PATENT DOCUMENTS**

D. 382,825 \* 8/1997 Amleshi ..... D10/106  
D. 388,351 \* 12/1997 Repp et al. .... D10/106

D. 391,185 \* 2/1998 Iomizawa ..... D10/106  
D. 391,511 \* 3/1998 Kadono ..... D10/106  
D. 395,614 \* 6/1998 Denoon-Stevens ..... D10/106  
D. 399,157 \* 10/1998 Hsu et al. .... D10/106

\* cited by examiner

*Primary Examiner*—Marcus A. Jackson

(74) *Attorney, Agent, or Firm*—Leydig, Voit & Mayer, Ltd.

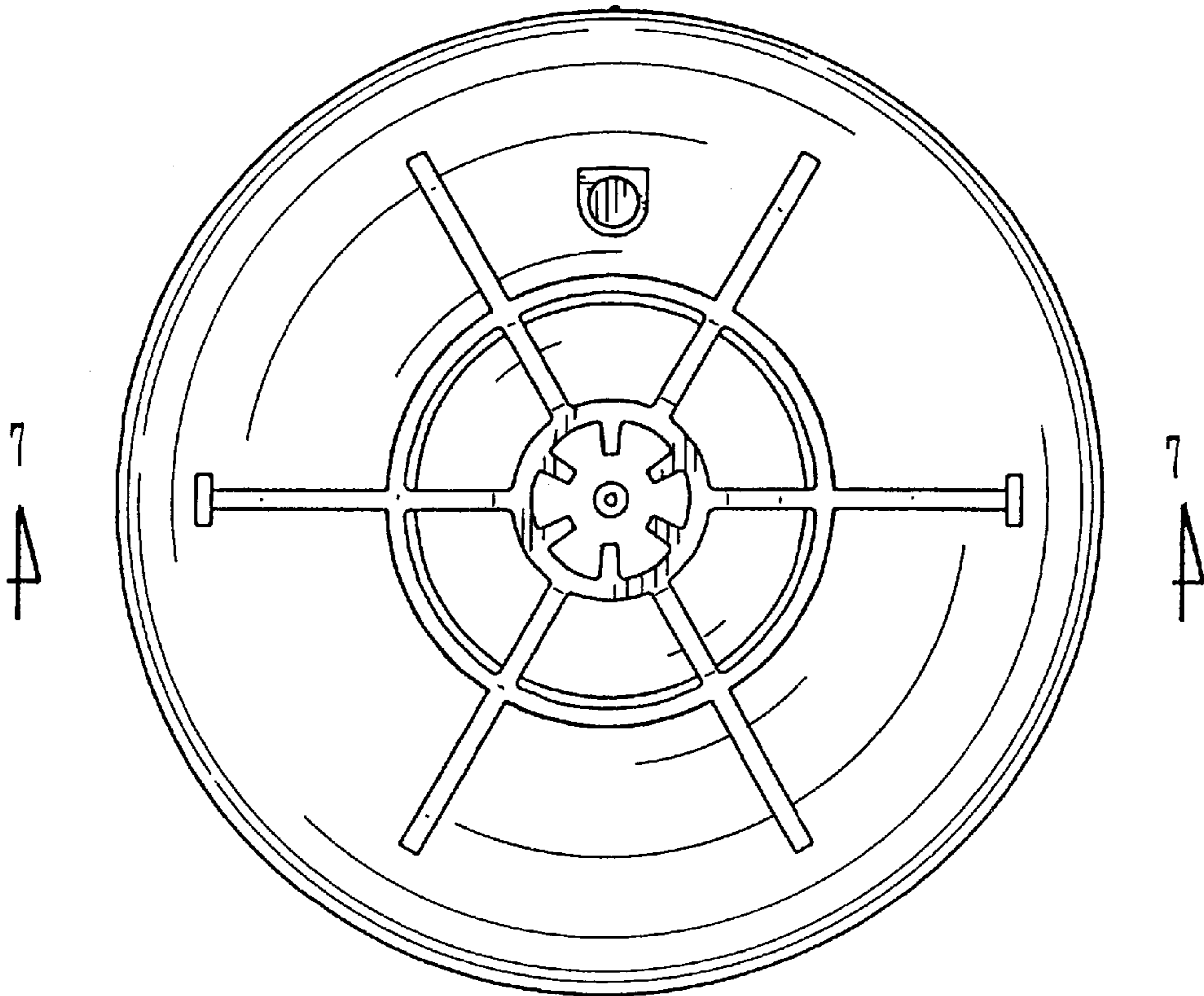
(57) **CLAIM**

The ornamental design for a fire detector, as shown and described.

**DESCRIPTION**

FIG. 1 is a front view of a fire detector, showing our new design;  
FIG. 2 is a rear view thereof;  
FIG. 3 is a top plan view thereof;  
FIG. 4 is a bottom plan view thereof;  
FIG. 5 is a right side view thereof;  
FIG. 6 is a left side view thereof; and,  
FIG. 7 is an enlarged cross-sectional view thereof, taken along line 7—7 in FIG. 1, with the internal system omitted.

**1 Claim, 7 Drawing Sheets**



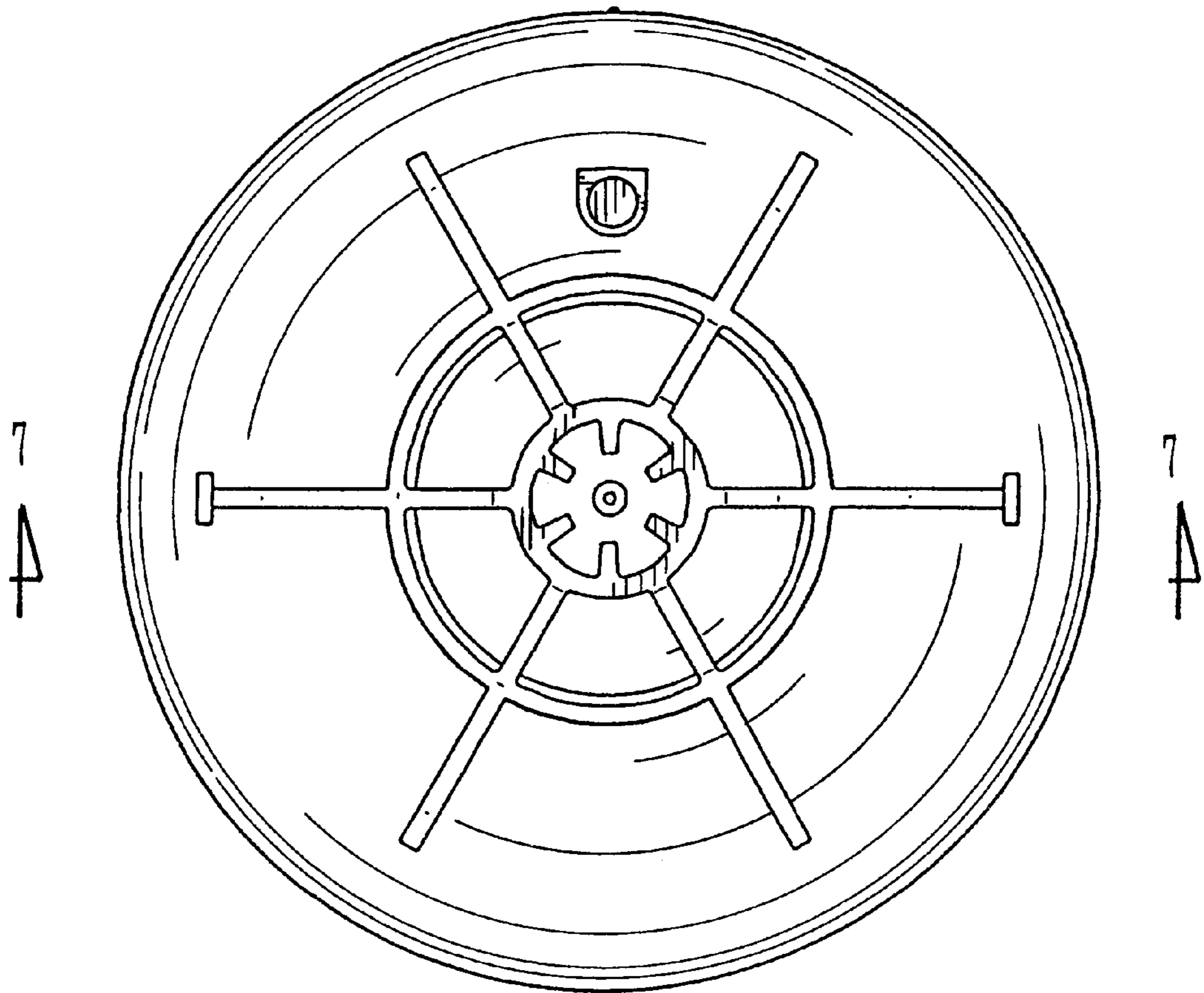


Fig. 1

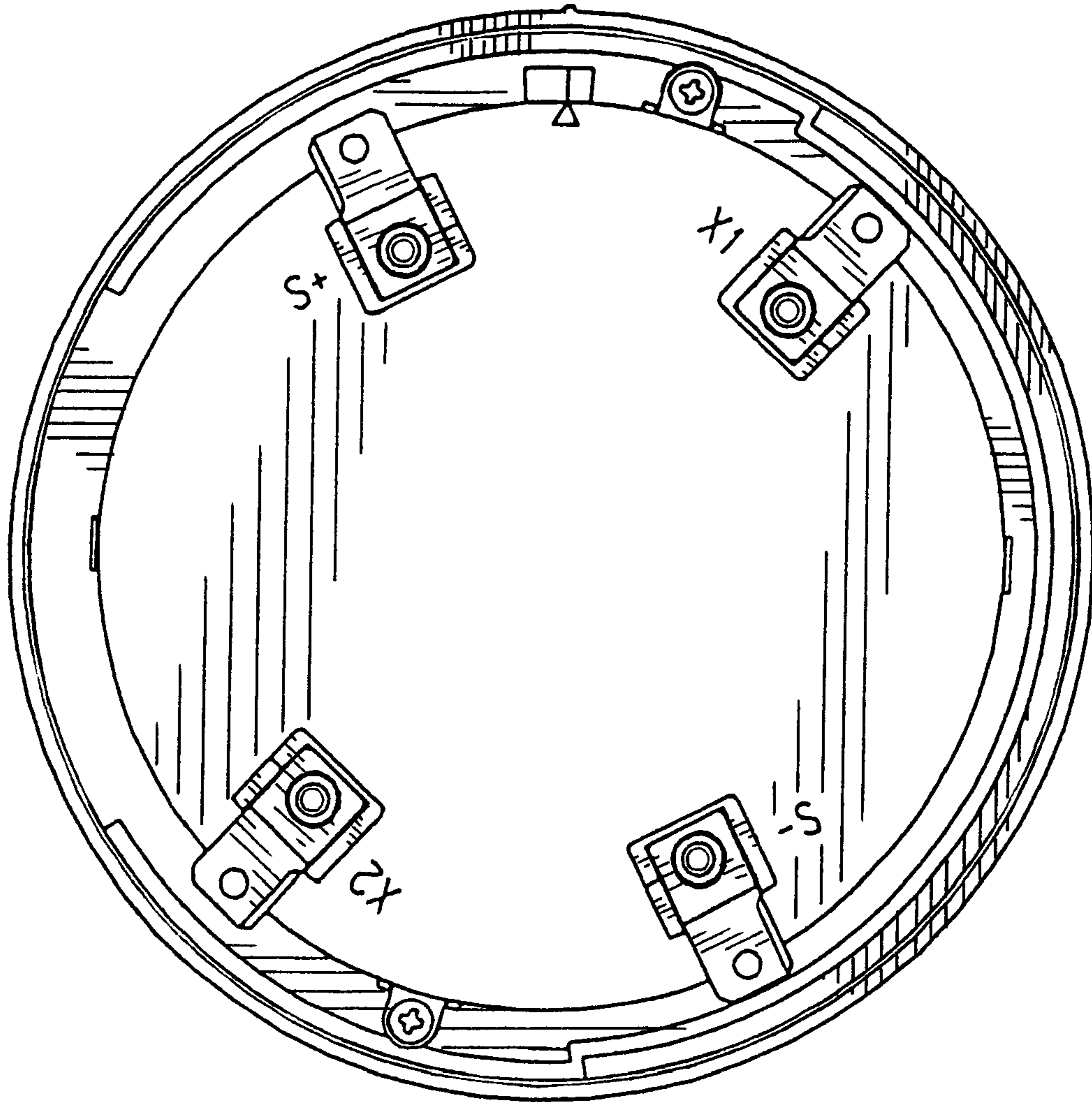


Fig. 2

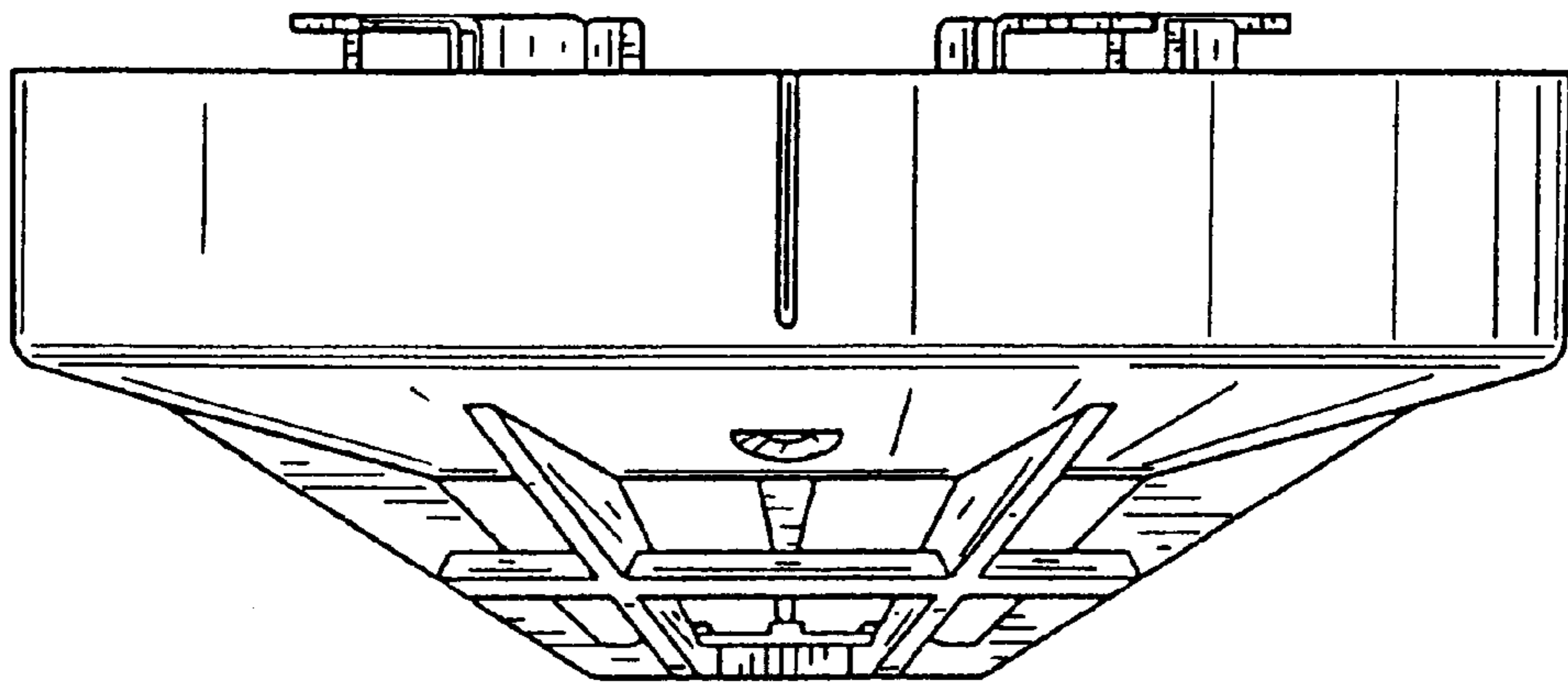


Fig. 3

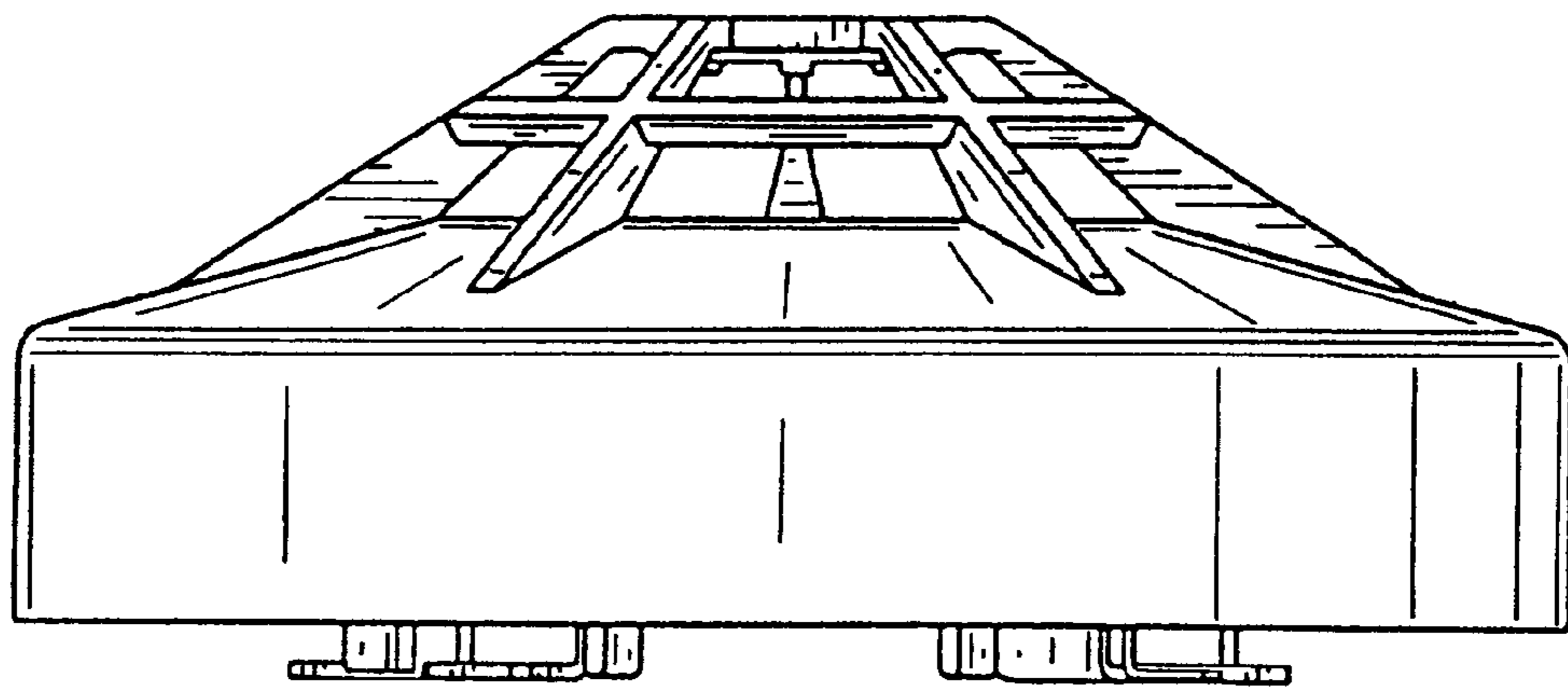


Fig. 4

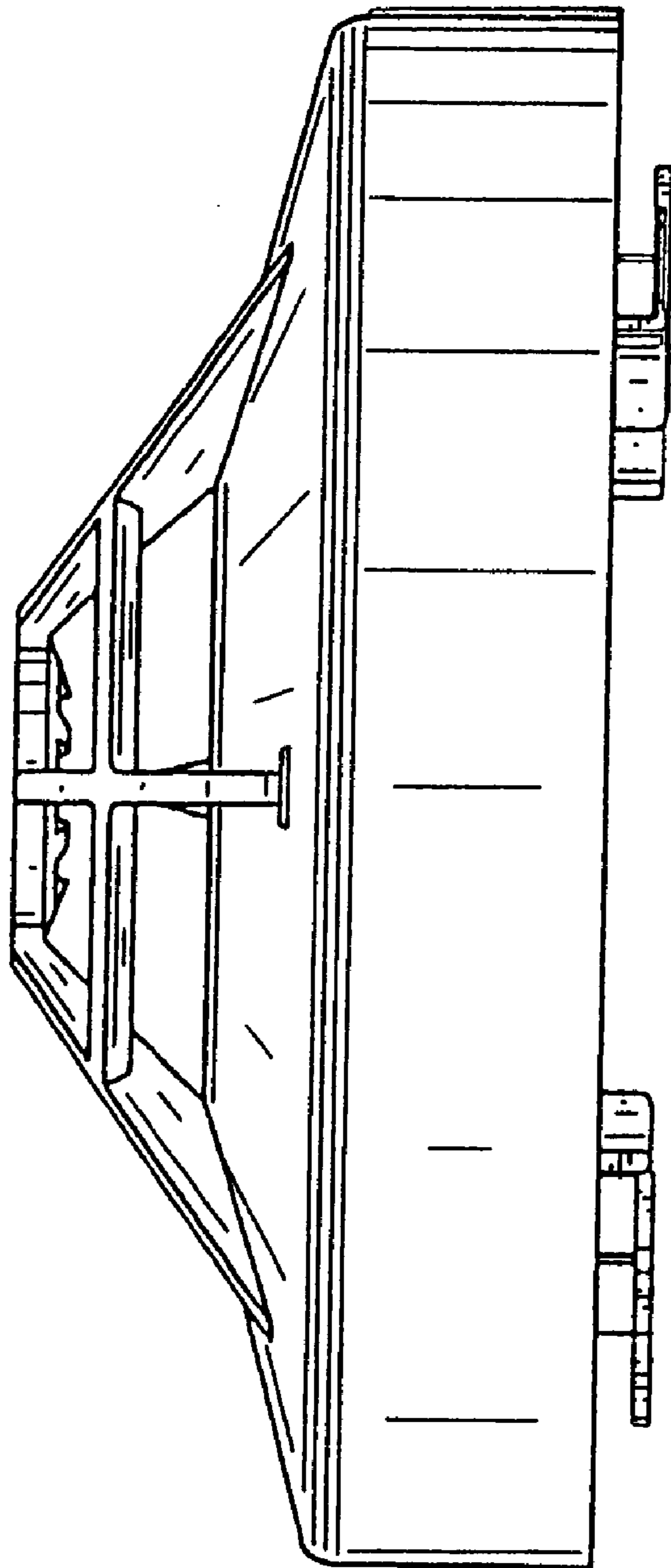


Fig. 5

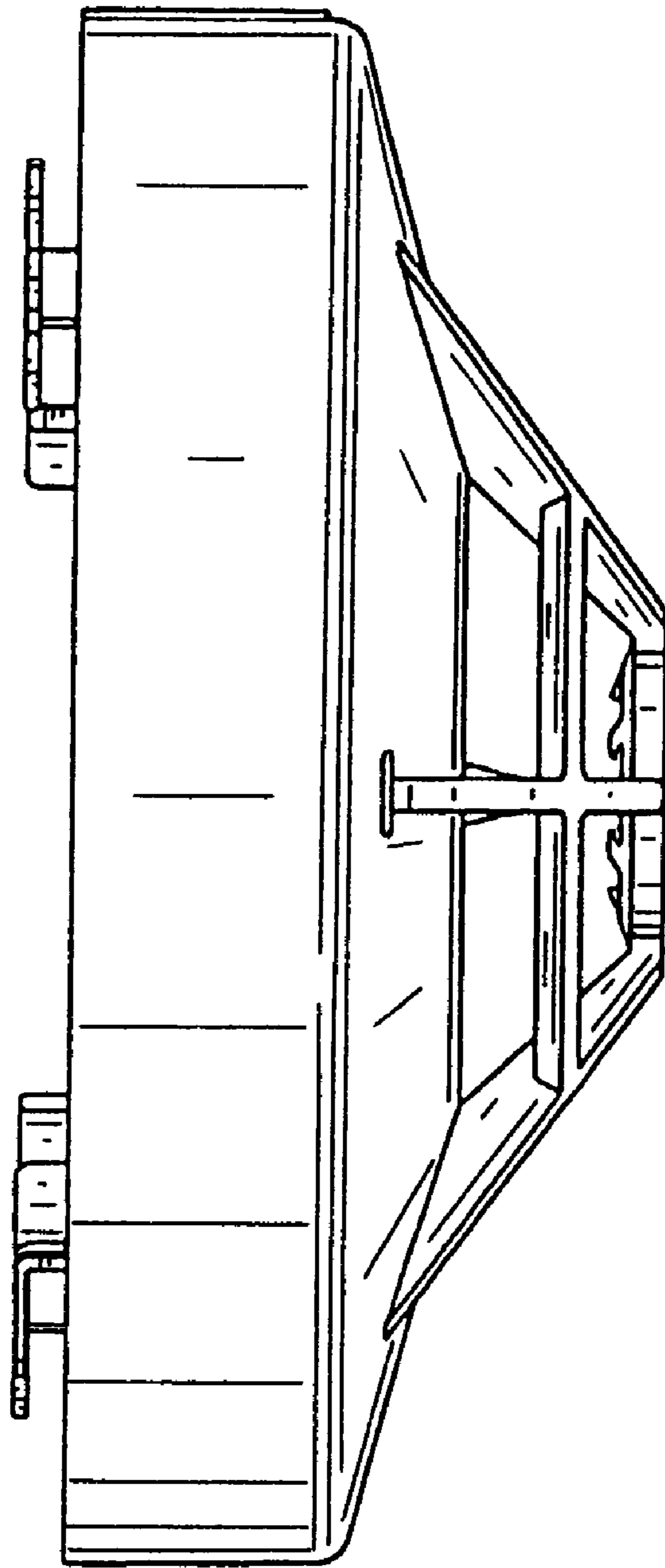


Fig. 6

Fig. 7

