



US00D435799S

(12) **United States Design Patent**
Leen

(10) **Patent No.:** **US D435,799 S**

(45) **Date of Patent:** **** Jan. 2, 2001**

(54) **L.E.D. LIGHT SENSOR HEAD**

(76) **Inventor:** **Monte A. Leen**, 11730 NE. 12TH St.,
Bellevue, WA (US) 98005

(**) **Term:** **14 Years**

(21) **Appl. No.:** **29/122,707**

(22) **Filed:** **May 1, 2000**

(51) **LOC (7) Cl.** **10-05**

(52) **U.S. Cl.** **D10/104**

(58) **Field of Search** D10/104, 106;
D26/37-50; 340/521, 540, 555, 556, 557,
565, 571, 572, 573, 600

(56) **References Cited**

U.S. PATENT DOCUMENTS

- D. 311,877 * 11/1990 Cheng D10/104
- D. 424,727 * 5/2000 Greubel D10/104
- D. 427,928 * 2/2000 Hiller et al. D10/104

* cited by examiner

Primary Examiner—Marcus A. Jackson

(74) *Attorney, Agent, or Firm*—Dean A. Craine

(57) **CLAIM**

The ornamental design for a L.E.D. light sensor head, as shown and described.

DESCRIPTION

FIG. 1 is a top perspective view of the L.E.D. light sensor head.

FIG. 2 is a bottom perspective view of the invention.

FIG. 3 is a top plan view of the invention.

FIG. 4 is a bottom plan view of the invention.

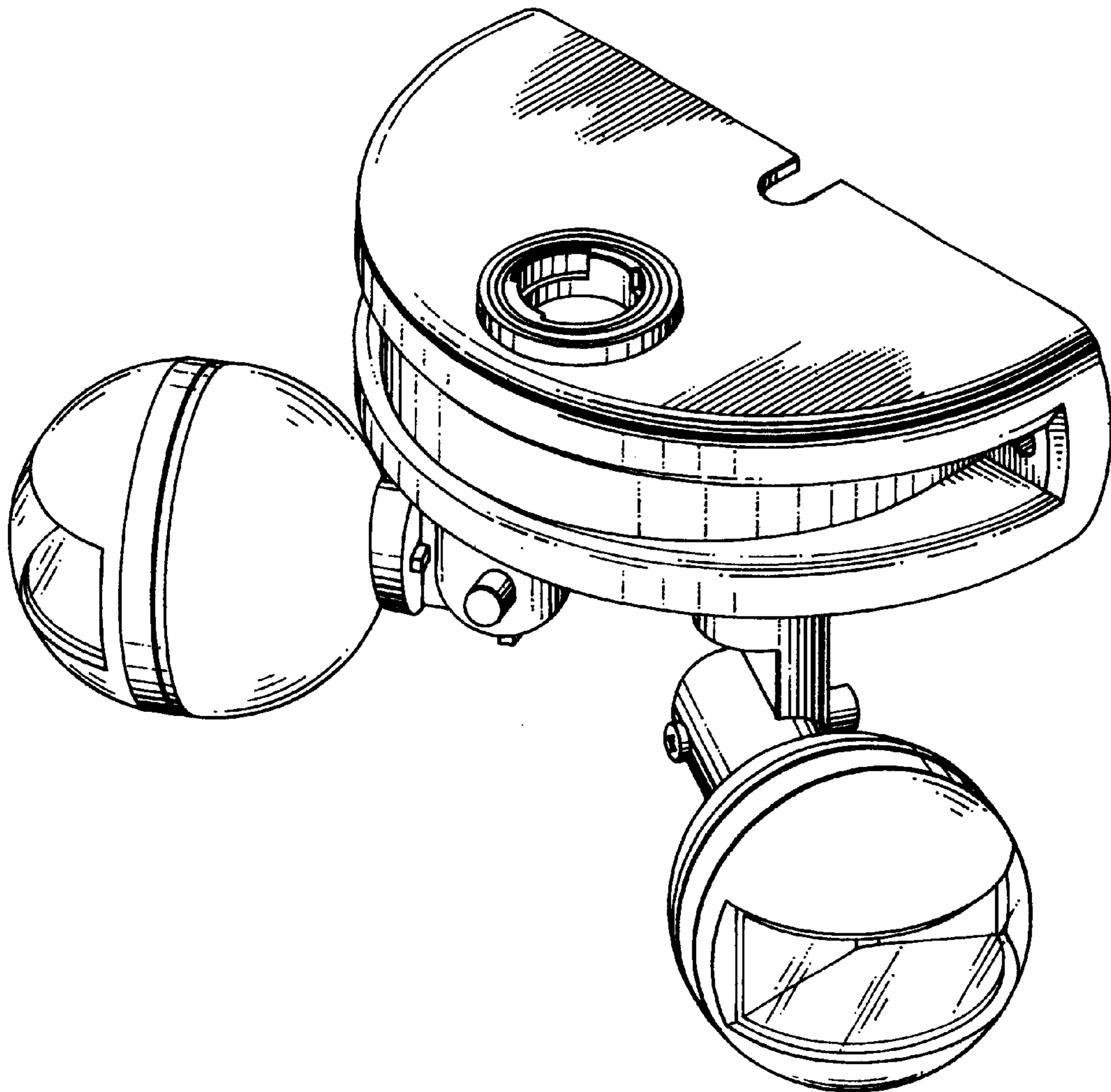
FIG. 5 is a front elevation view of the invention.

FIG. 6 is a rear elevation view of the invention.

FIG. 7 is a right elevation view of the invention; and,

FIG. 8 is a left elevation view of the invention.

1 Claim, 3 Drawing Sheets



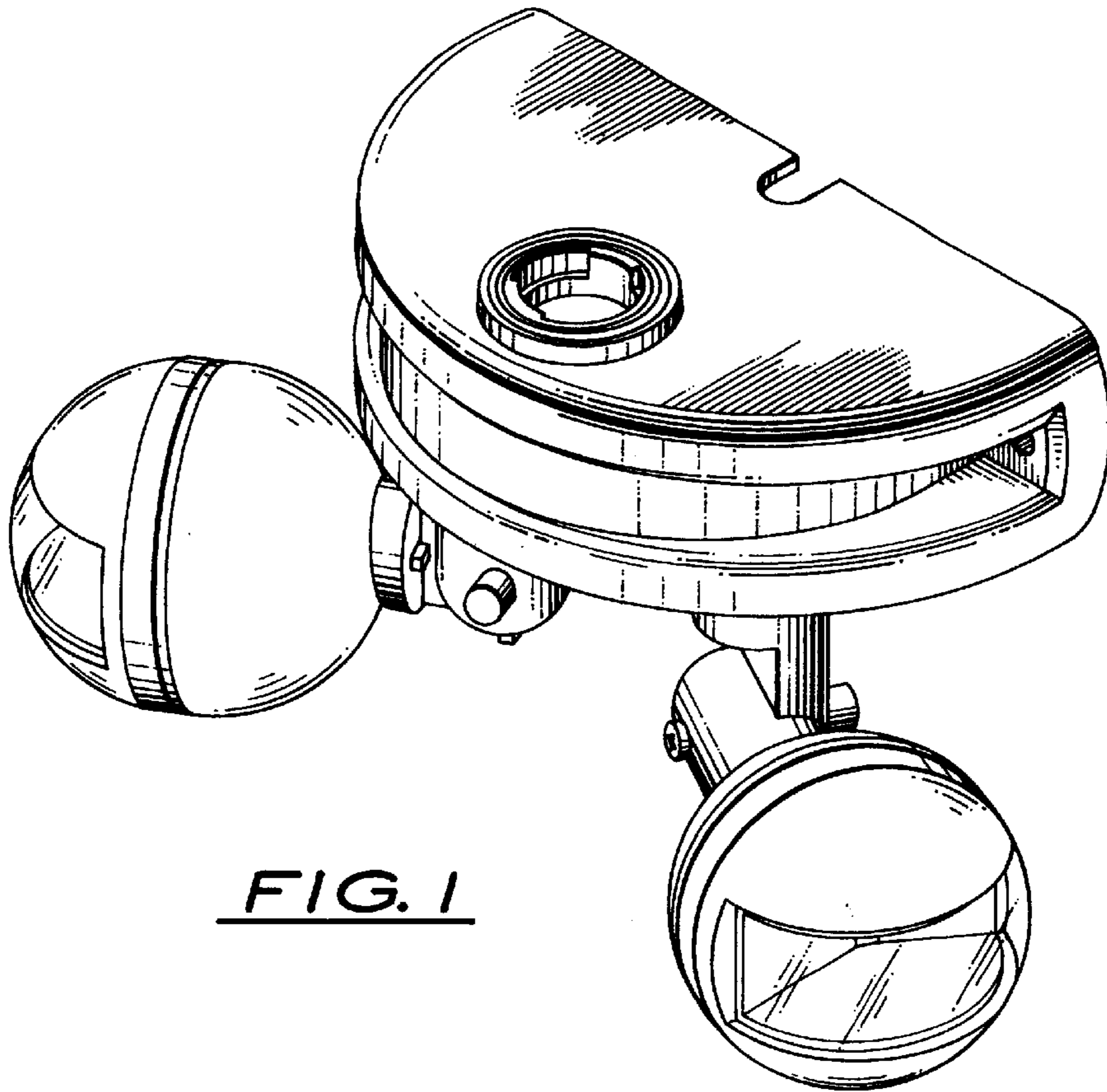


FIG. 1

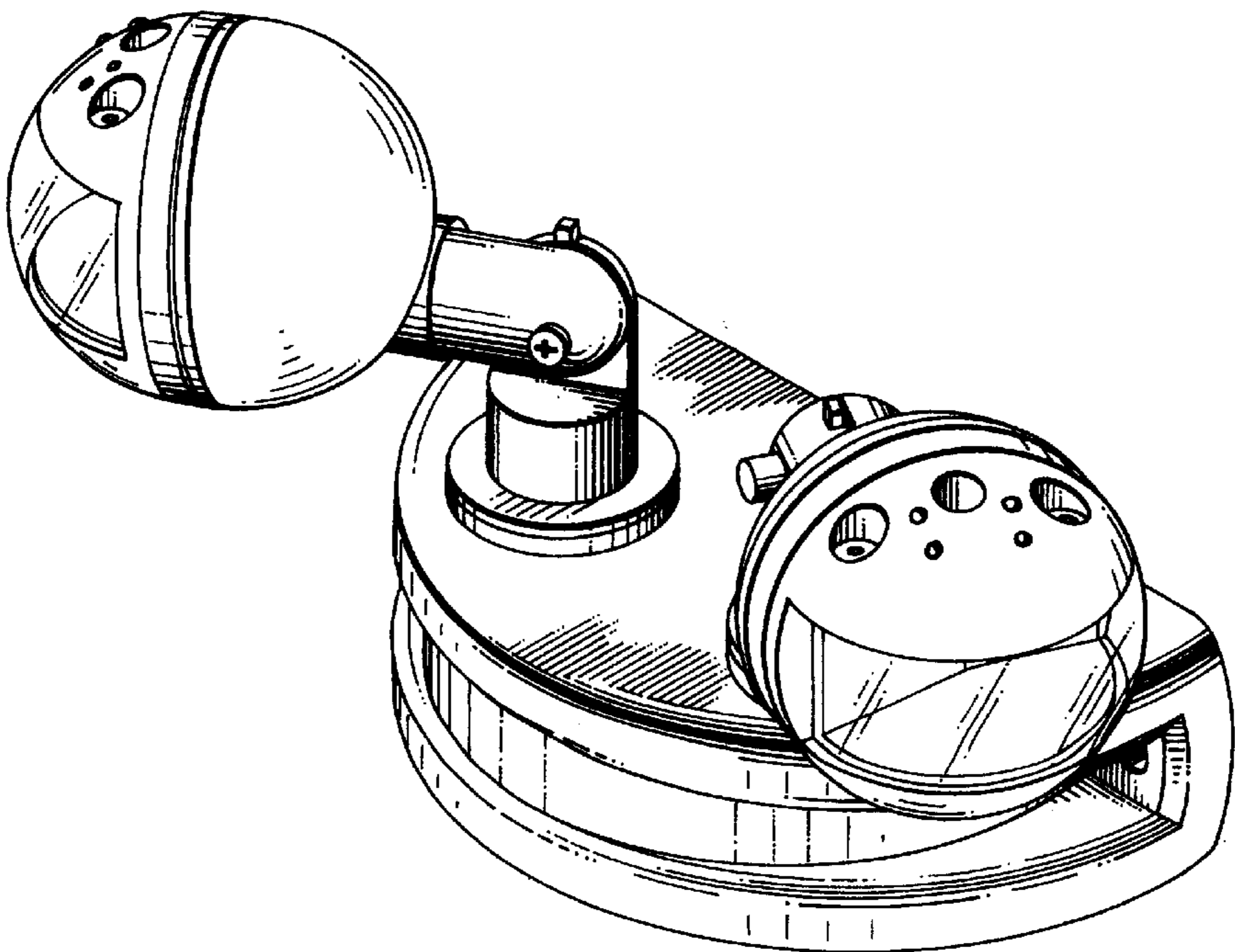


FIG. 2

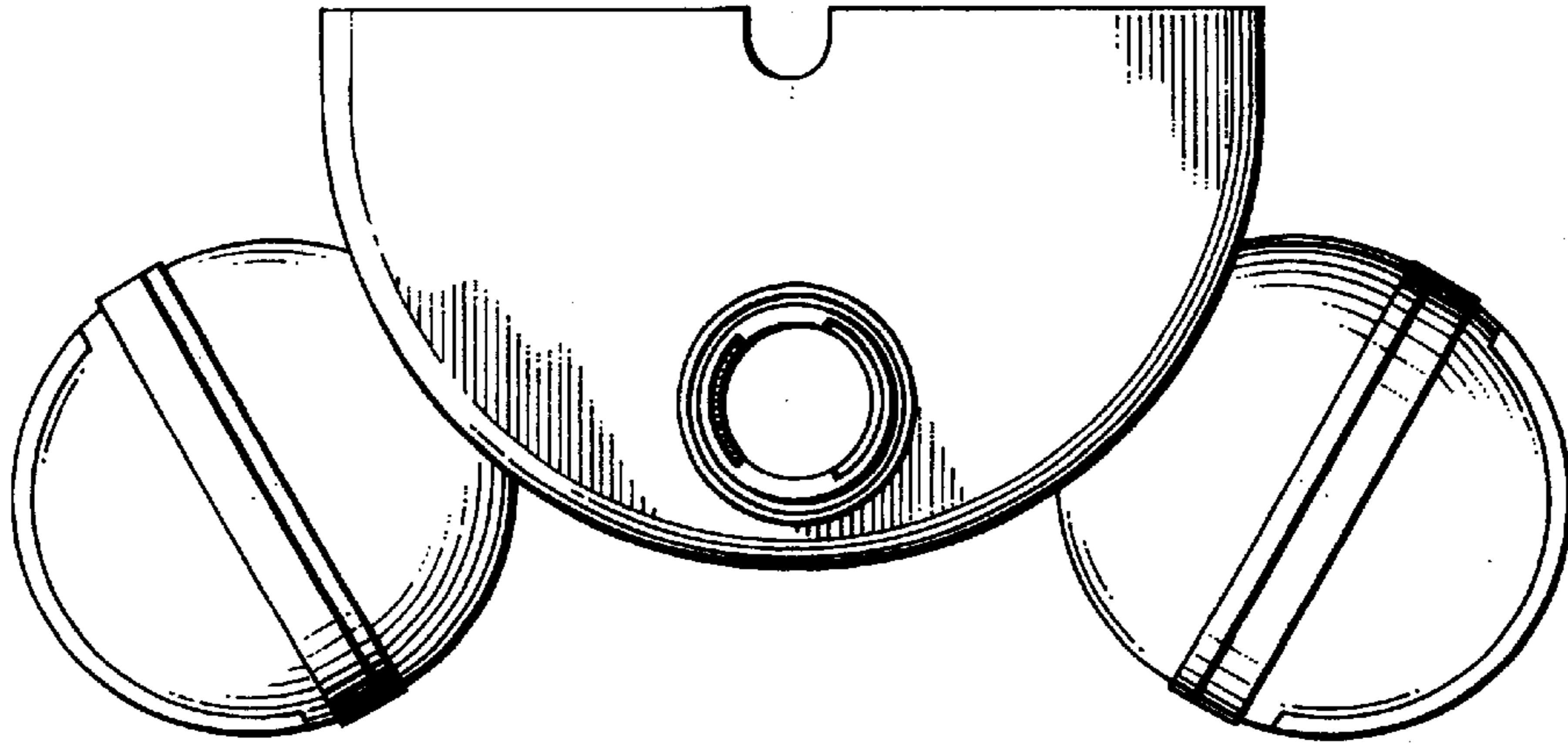


FIG. 3

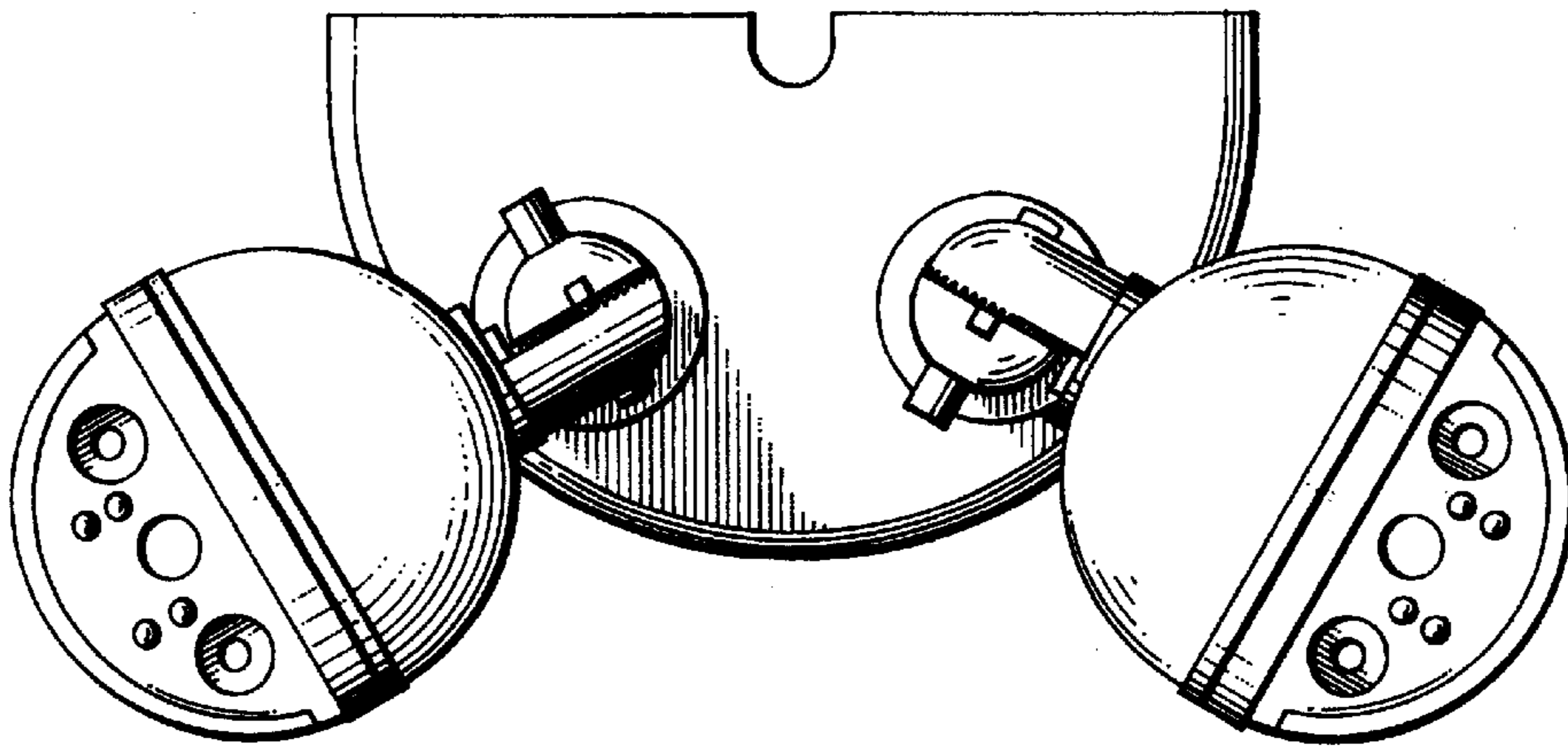


FIG. 4

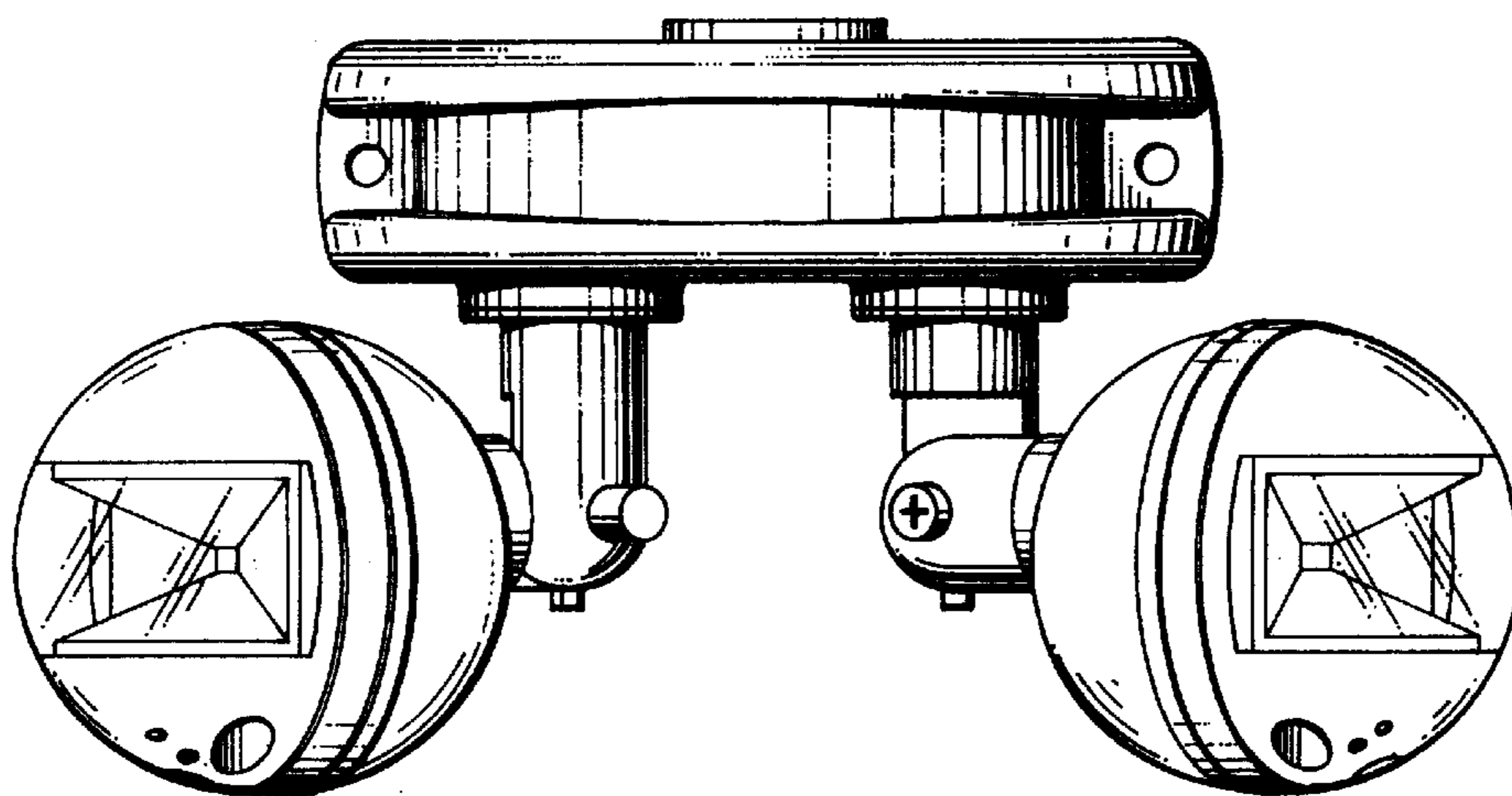


FIG. 5

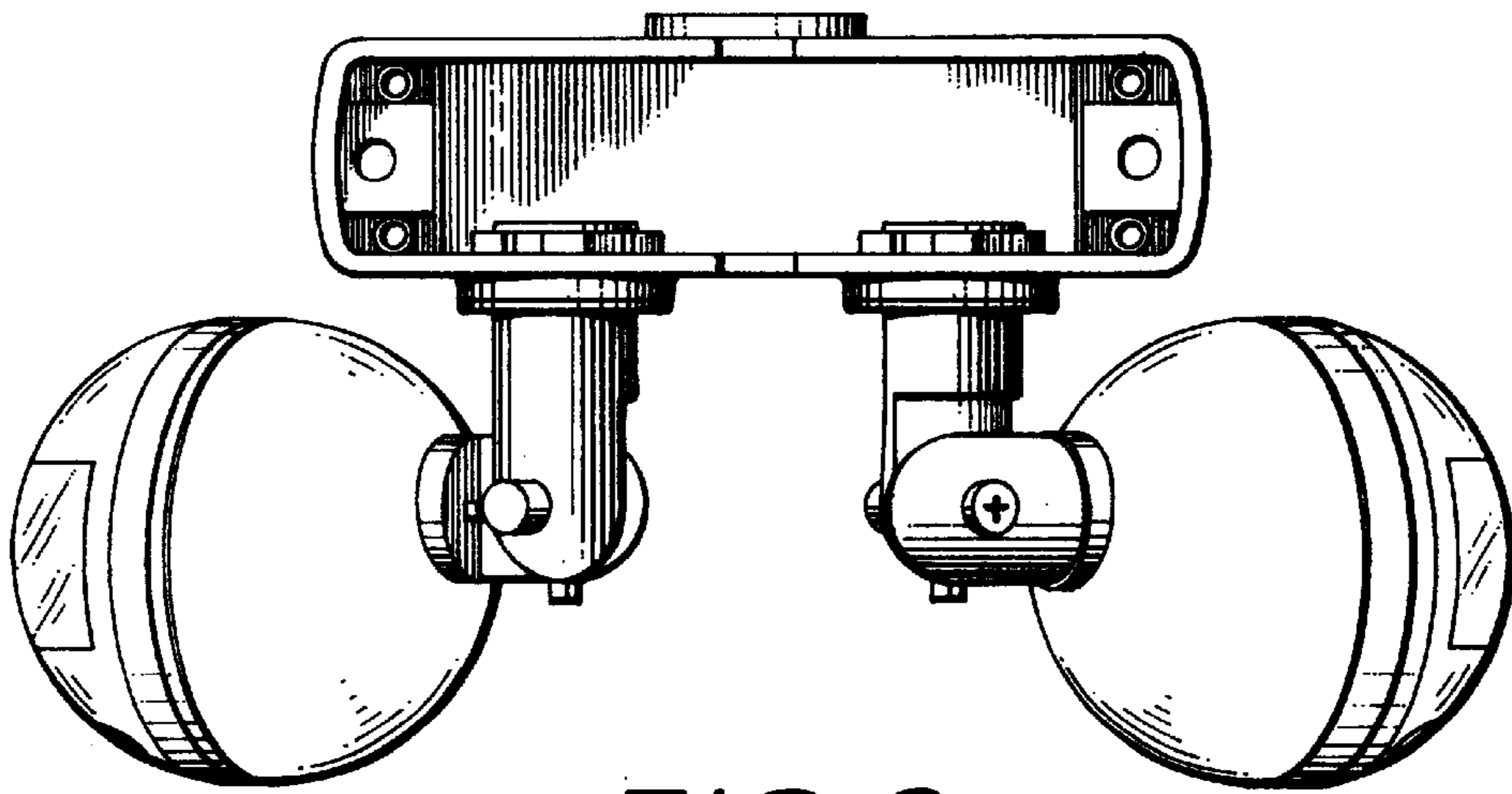


FIG. 6

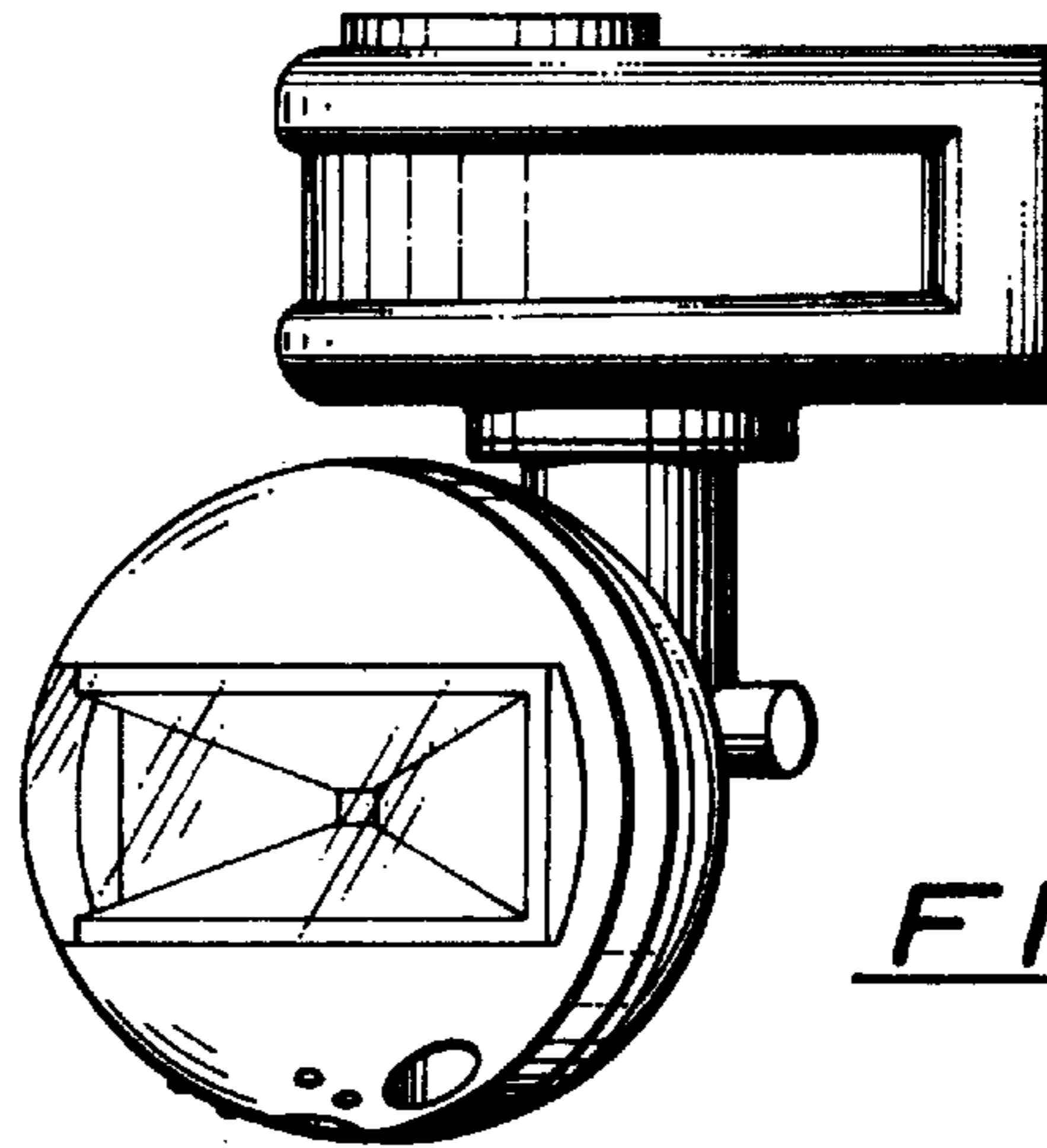


FIG. 7

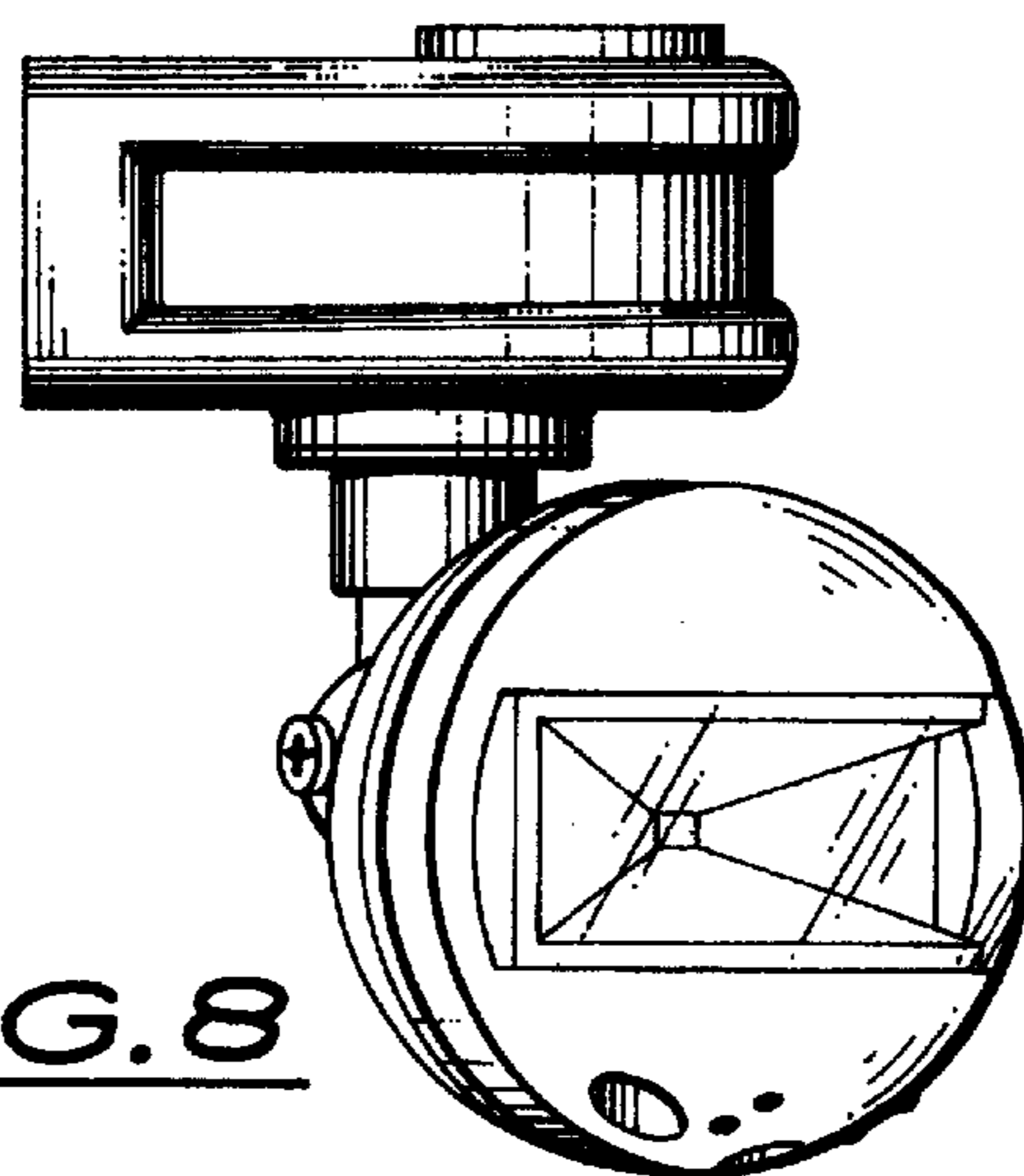


FIG. 8