



US00D435798S

(12) **United States Design Patent**  
**Aiello et al.**

(10) **Patent No.:** **US D435,798 S**

(45) **Date of Patent:** **\*\* Jan. 2, 2001**

(54) **ULTRASONIC OCCUPANCY SENSOR**

D. 391,182 \* 2/1998 Schneider et al. .... D10/104  
D. 392,624 \* 3/1998 Hower et al. .... D10/104

(75) Inventors: **Justin Aiello**, Port Washington, NY (US); **Willfred Goldschmidt**, Weston; **Jeff Mullally**, Milford, both of CT (US); **R. Kurt Bender**, Dripping Springs, TX (US)

\* cited by examiner

*Primary Examiner*—Marcus A. Jackson  
(74) *Attorney, Agent, or Firm*—Fulbright & Jaworski

(73) Assignee: **Mytech**, Austin, TX (US)

(57) **CLAIM**

(\*\*) Term: **14 Years**

The design for an ultrasonic occupancy sensor, as shown and described.

(21) Appl. No.: **29/115,242**

**DESCRIPTION**

(22) Filed: **Dec. 8, 1999**

(51) **LOC (7) Cl.** ..... **10-05**

(52) **U.S. Cl.** ..... **D10/104**

(58) **Field of Search** ..... D10/104, 106,  
D10/114, 116, 121; 340/906, 907, 908,  
908.1, 909, 910, 911, 915

In the disclosed embodiment, the back of ultrasonic occupancy sensor is hidden in its ultimate use, is unornamented and therefore is not shown in the drawings.

FIG. 1 is a perspective view of the bottom, front and right sides of the ultrasonic occupancy sensor showing the new and ornamental design; and,

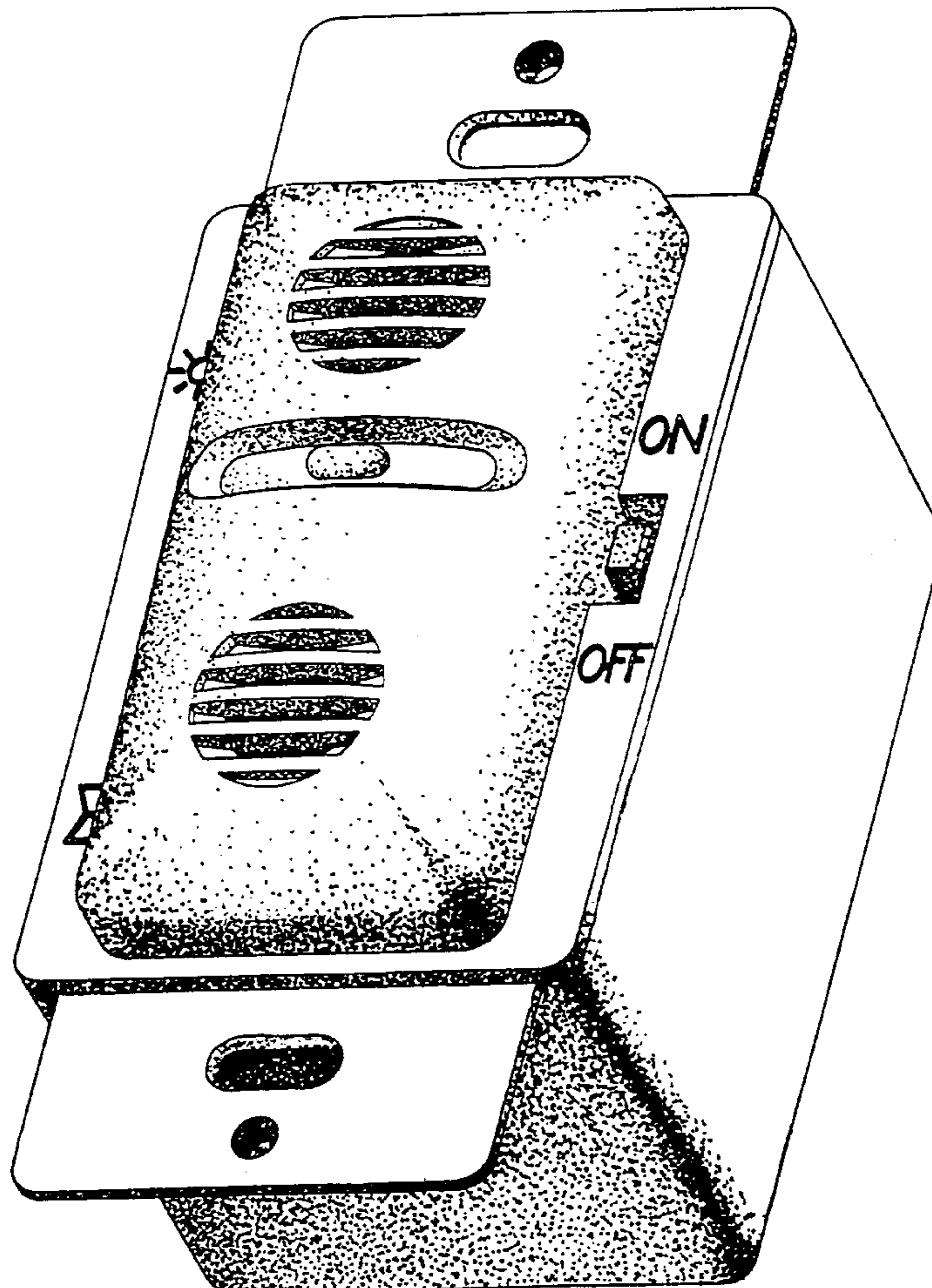
FIG. 2 is a perspective view of the top, front and left sides of the ultrasonic occupancy sensor of FIG. 1.

(56) **References Cited**

**U.S. PATENT DOCUMENTS**

D. 380,452 \* 7/1997 Mix et al. .... D10/104

**1 Claim, 2 Drawing Sheets**



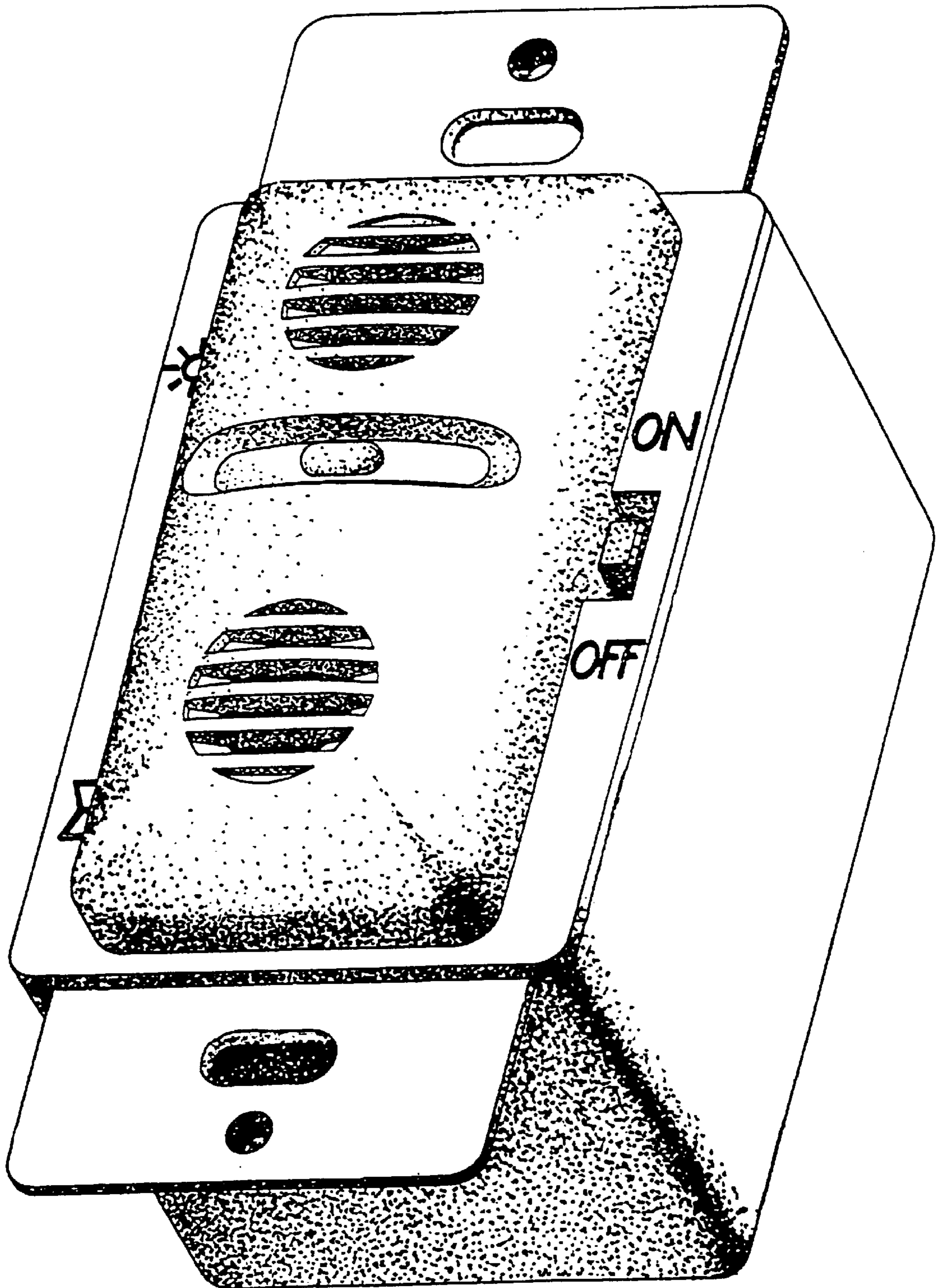


Figure 1



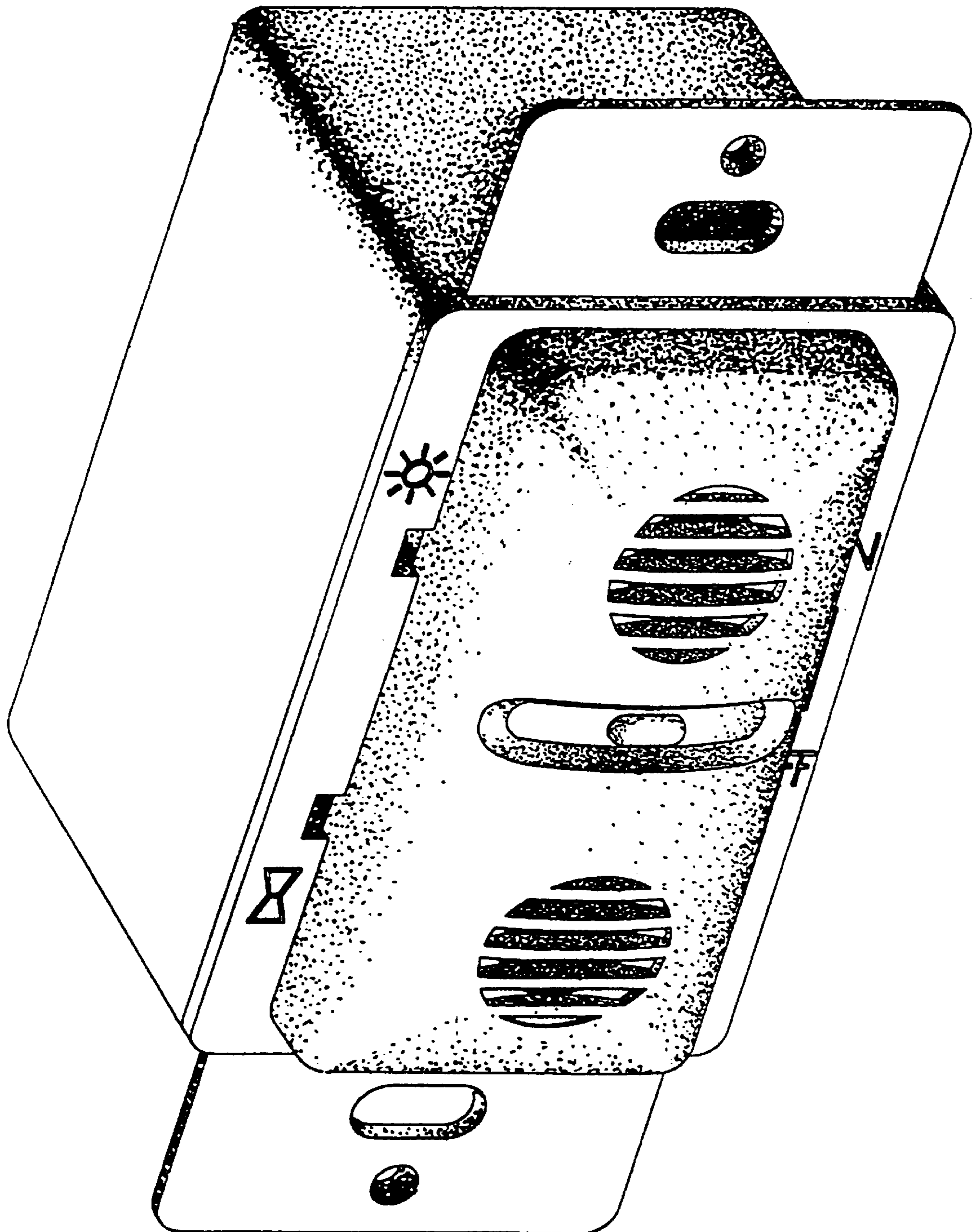


Figure 2