



US00D435797S

(12) **United States Design Patent**
Hoofnagle et al.

(10) **Patent No.:** **US D435,797 S**

(45) **Date of Patent:** **** Jan. 2, 2001**

(54) **ELECTRONIC INSTRUMENT**

(75) Inventors: **Wayne S. Hoofnagle**, Redmond;
Duncan N. Kearsley, Stanwood, both
of WA (US)

(73) Assignee: **Fluke Corporation**, Everett, WA (US)

(**) Term: **14 Years**

(21) Appl. No.: **29/119,393**

(22) Filed: **Feb. 29, 2000**

(51) **LOC (7) Cl.** **10-04**

(52) **U.S. Cl.** **D10/78**

(58) **Field of Search** D10/78; 324/66,
324/67, 158 F, 539-542; 379/1-10, 21,
60, 66, 96, 105-107

(56) **References Cited**

U.S. PATENT DOCUMENTS

D. 355,138 2/1995 Hoofnagle et al. D10/78

D. 363,440 * 10/1995 Hoofnagle et al. D10/78

D. 424,456 * 5/2000 Hoofnagle et al. D10/78

6,064,721 * 5/2000 Mohammadian et al. 379/21

* cited by examiner

Primary Examiner—Antoine Duval Davis

(74) *Attorney, Agent, or Firm*—George T. Noe

(57) **CLAIM**

The ornamental design for an electronic instrument, as shown.

DESCRIPTION

FIG. 1 is a perspective view of an electronic instrument showing our new design;

FIG. 2 is a front plan view thereof;

FIG. 3 is a right side elevational view thereof;

FIG. 4 is a left side elevational view thereof;

FIG. 5 is a rear plan view thereof;

FIG. 6 is a top elevational view thereof; and,

FIG. 7 is a bottom elevational view thereof.

1 Claim, 5 Drawing Sheets

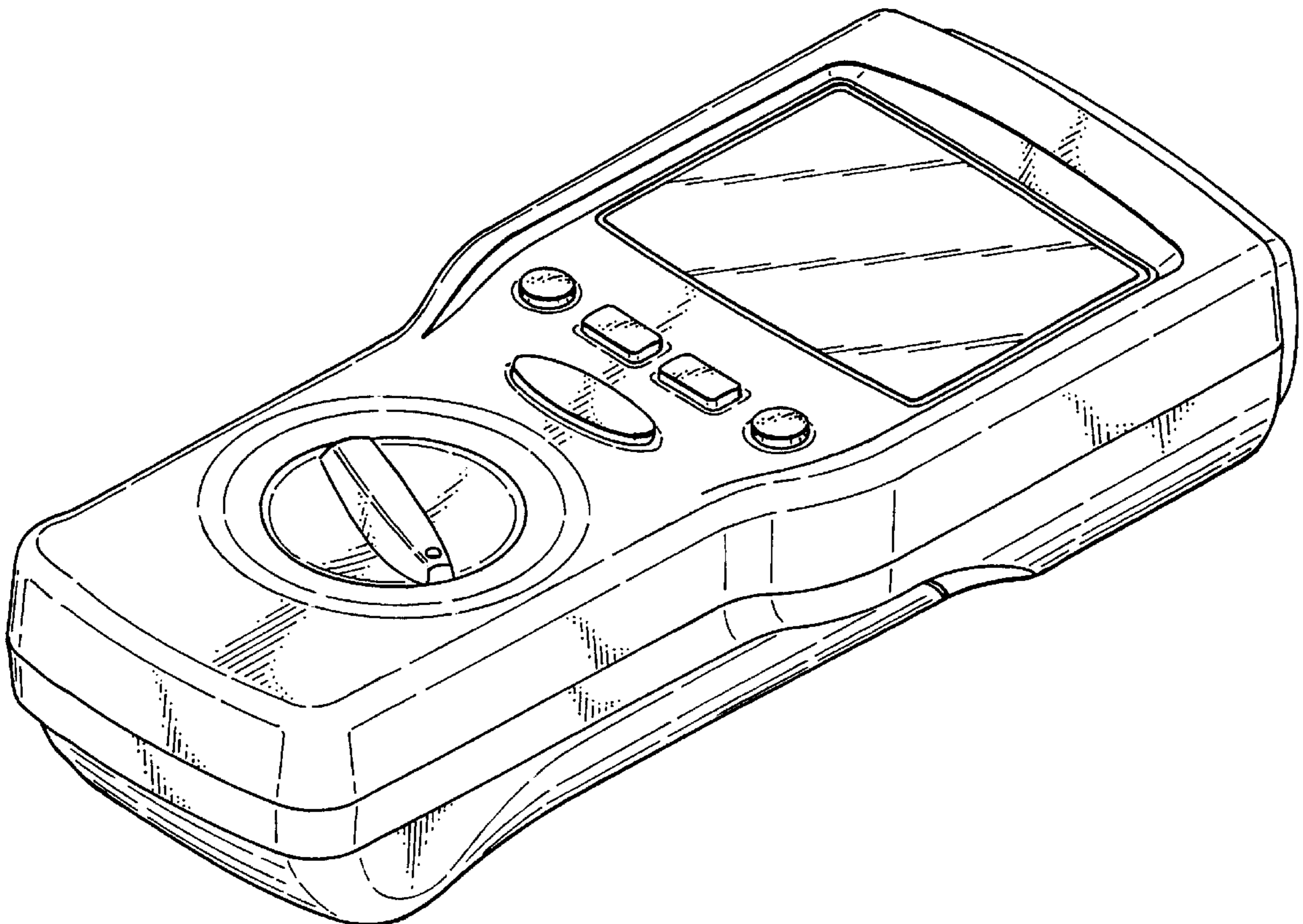


FIG. 1

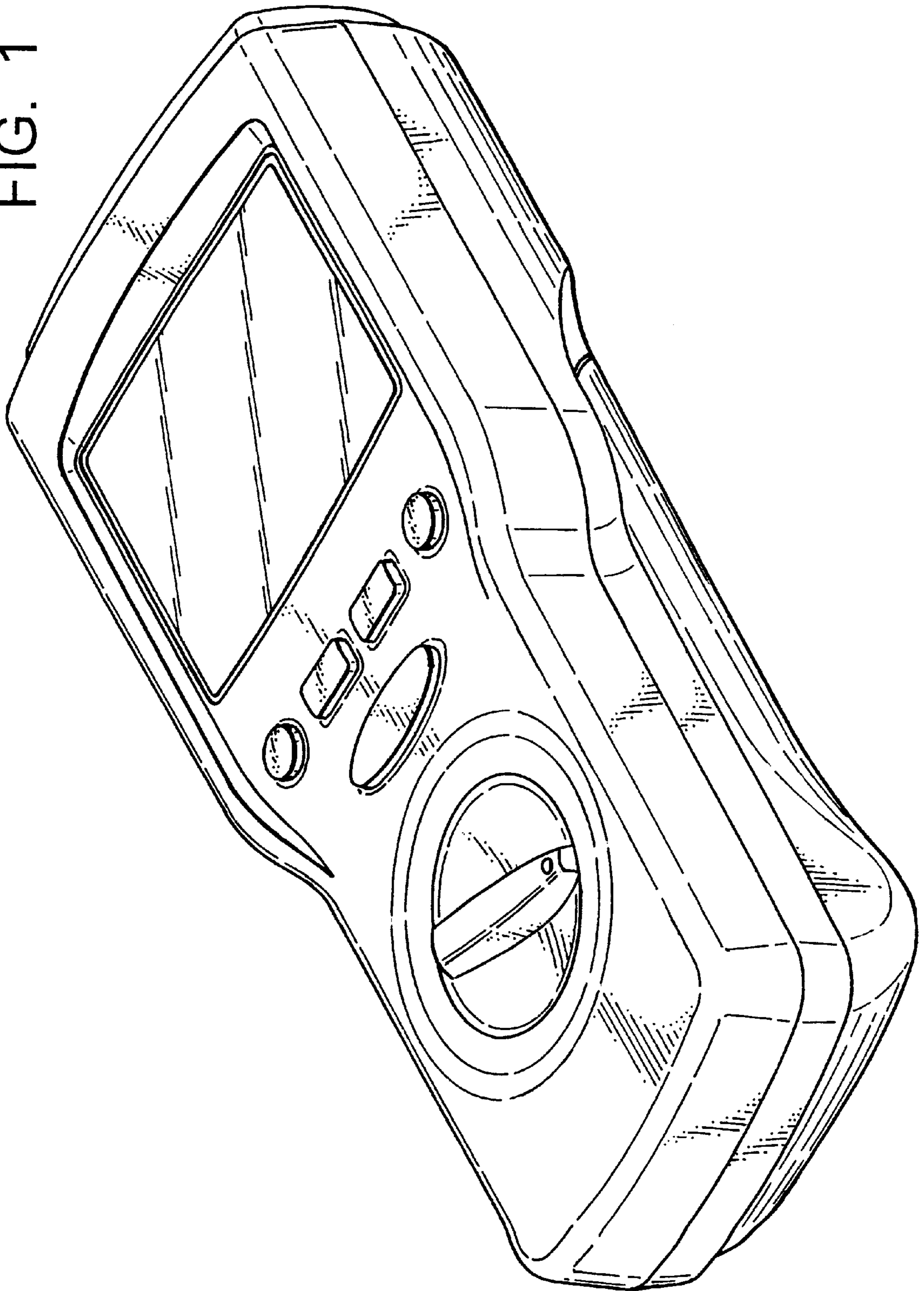


FIG. 2

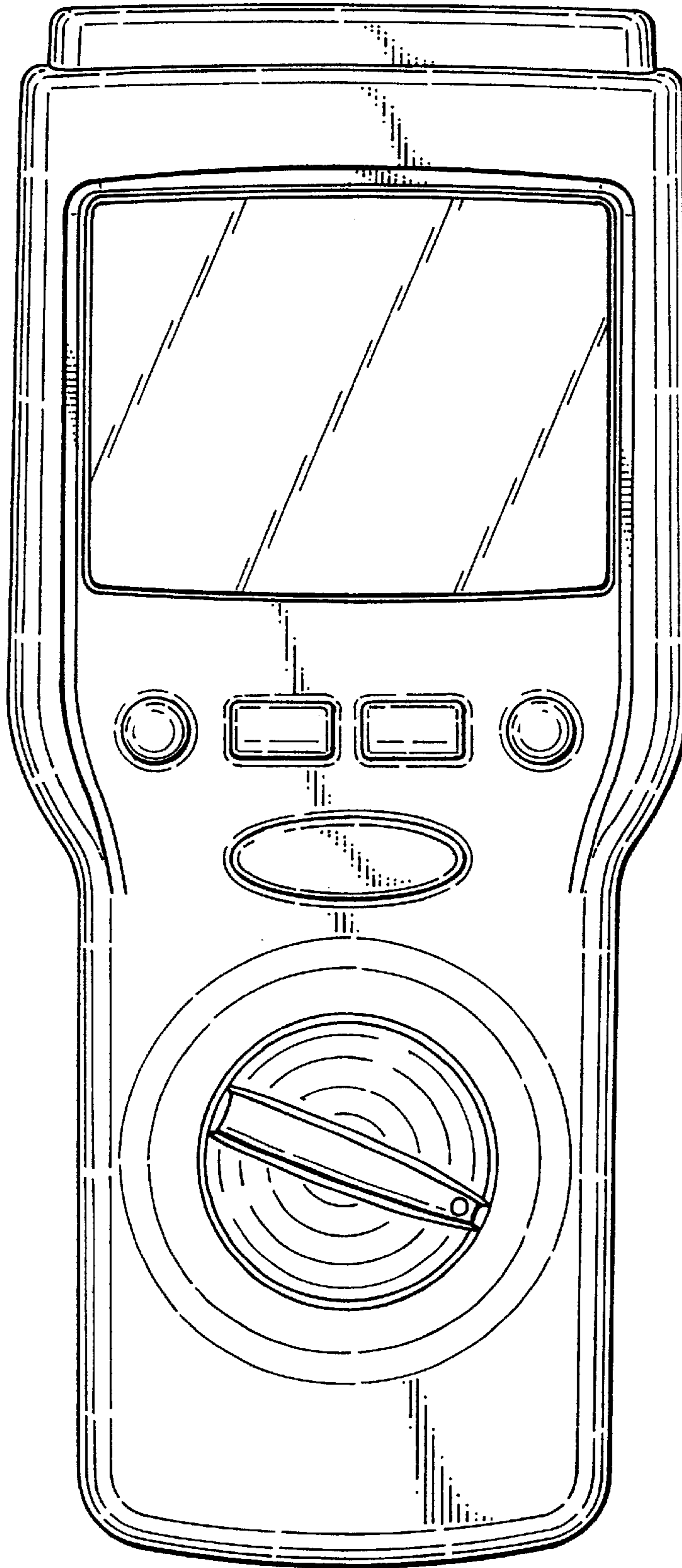


FIG. 3

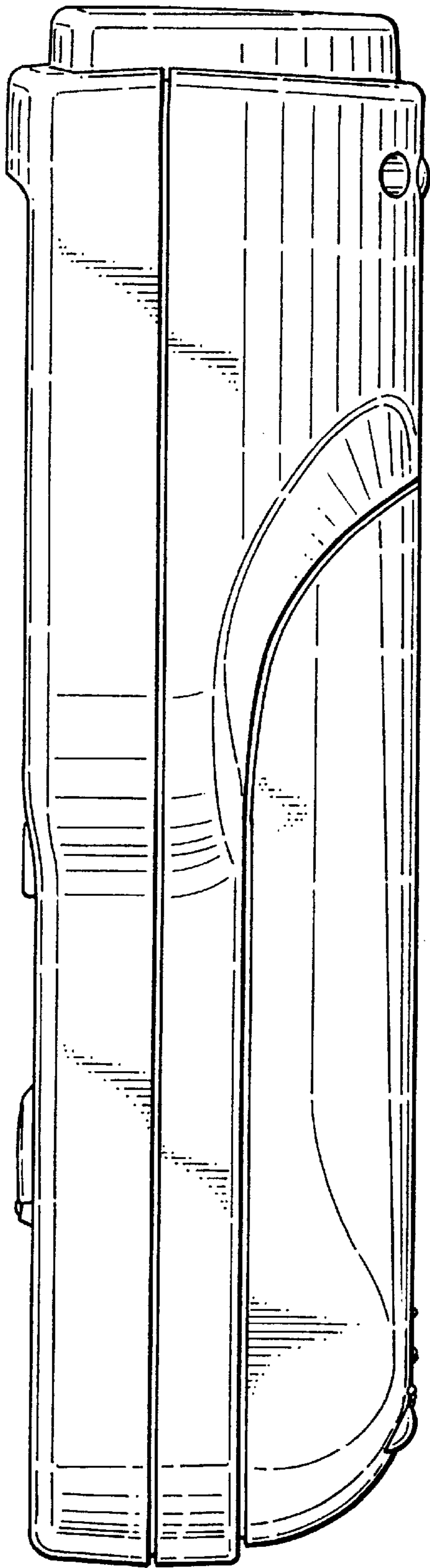


FIG. 4

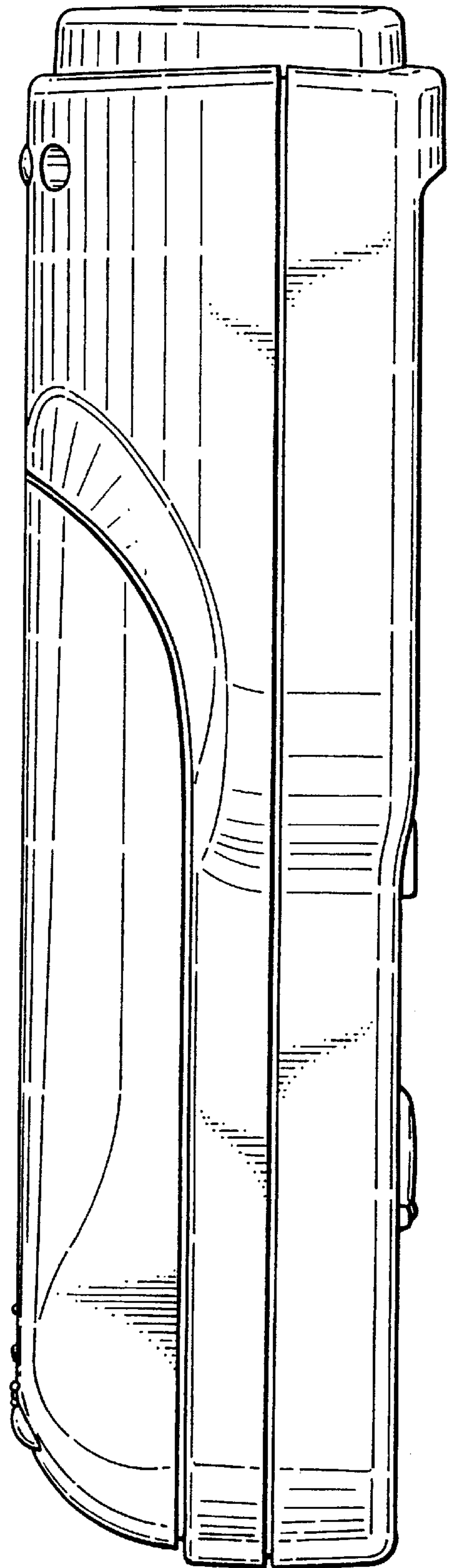


FIG. 5

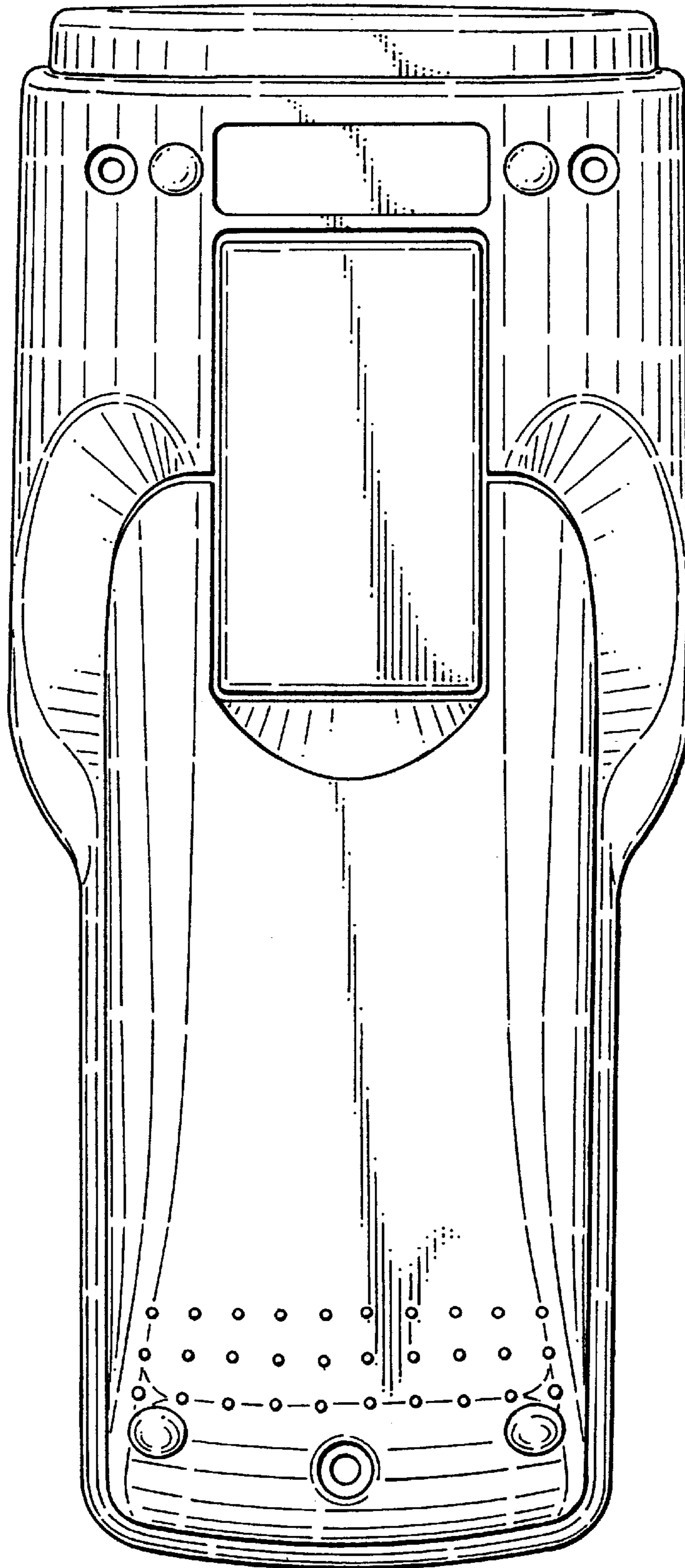


FIG. 6

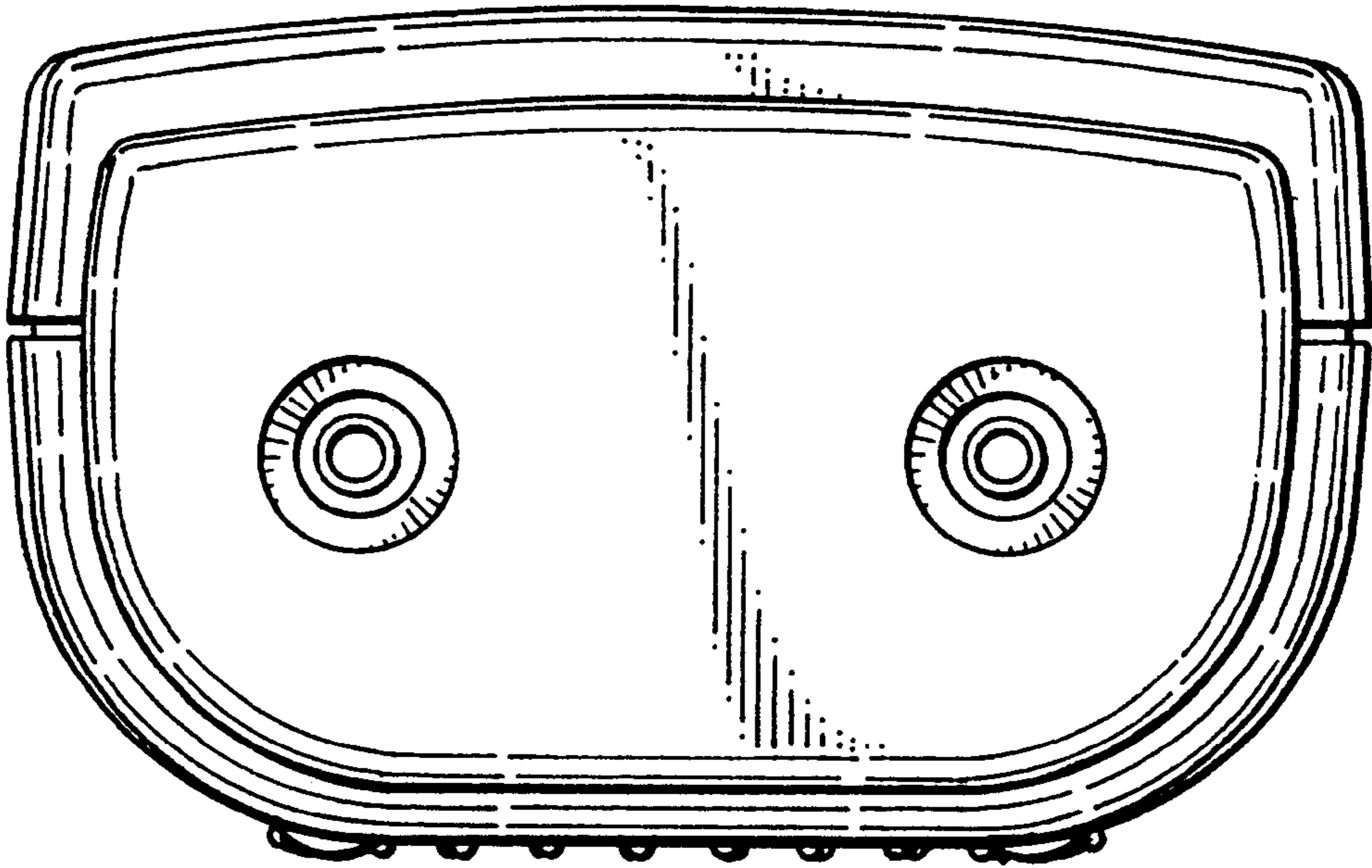


FIG. 7

