



US00D435794S

(12) **United States Design Patent**  
**Schmidt et al.**

(10) **Patent No.:** **US D435,794 S**  
(45) **Date of Patent:** **\*\* Jan. 2, 2001**

(54) **CONTAINER CAP**

(75) Inventors: **Ansel Schmidt**, Milwaukee, WI (US);  
**Robert D. Weick**, Sarasota, FL (US)

(73) Assignee: **Tropicana Products, Inc.**, Bradenton,  
FL (US)

(\*\*) Term: **14 Years**

(21) Appl. No.: **29/122,052**

(22) Filed: **Apr. 14, 2000**

(51) **LOC (7) Cl.** ..... **09-07**

(52) **U.S. Cl.** ..... **D9/451**

(58) **Field of Search** ..... D9/435, 441, 451,  
D9/453, 454, 329; 215/230; 220/376; 222/78

(56) **References Cited**

**U.S. PATENT DOCUMENTS**

D. 316,969	*	5/1991	Wiseman et al.	.....	D9/435	X
D. 361,265	*	8/1995	Doxey	.....	D9/435	
D. 405,696	*	2/1999	Ullrich	.....	D9/454	
D. 409,491	*	5/1999	Ullrich et al.	.....	D9/453	

\* cited by examiner

*Primary Examiner*—Cathron Brooks  
(74) *Attorney, Agent, or Firm*—Cook, Alex, McFarron,  
Manzo, Cummings & Mehler, Ltd.

(57) **CLAIM**

The ornamental design for a container cap, as shown and described.

**DESCRIPTION**

FIG. 1 is a top perspective view of a container cap showing the new design;

FIG. 2 is a bottom perspective view thereof;

FIG. 3 is an elevational view thereof;

FIG. 4 is a top plan view thereof;

FIG. 5 is a bottom plan view thereof;

FIG. 6 is a bottom perspective view of an alternative embodiment; and,

FIG. 7 is a bottom plan view of the FIG. 6 embodiment.

The views not shown in the second embodiment of FIGS. 6 and 7 are identical to those of the first embodiment shown in FIGS. 1-5.

**1 Claim, 2 Drawing Sheets**

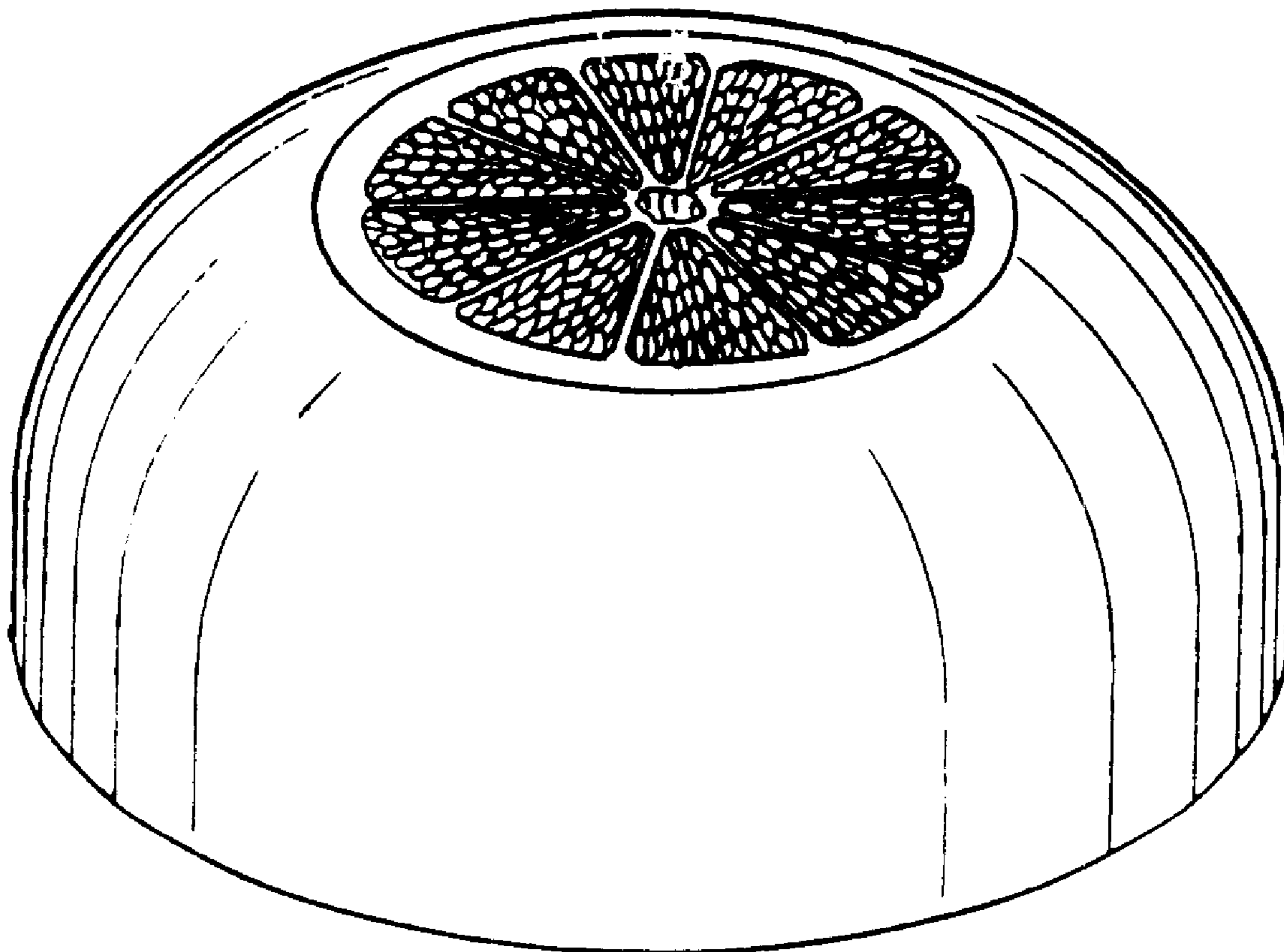


FIG.1

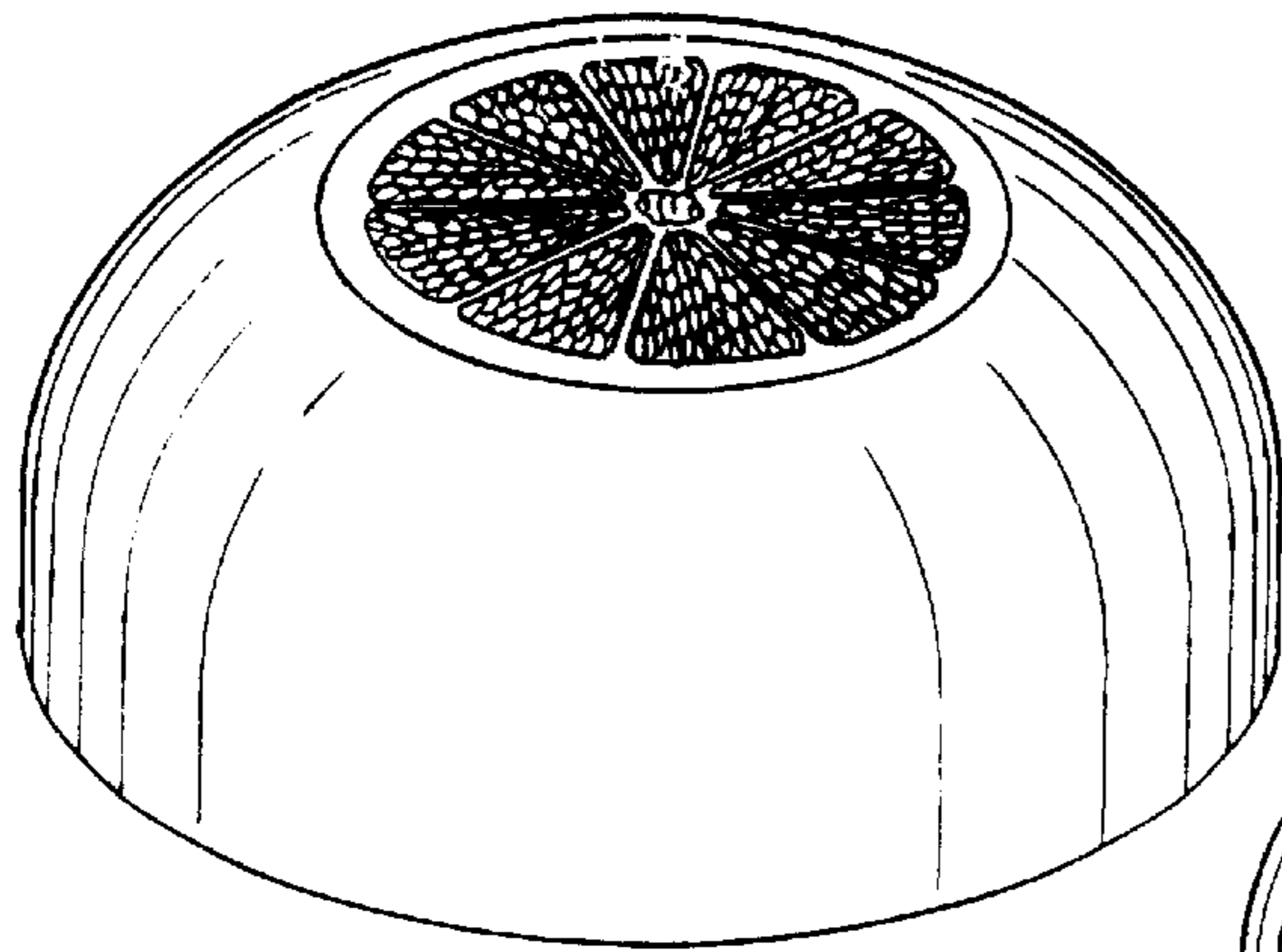


FIG.2

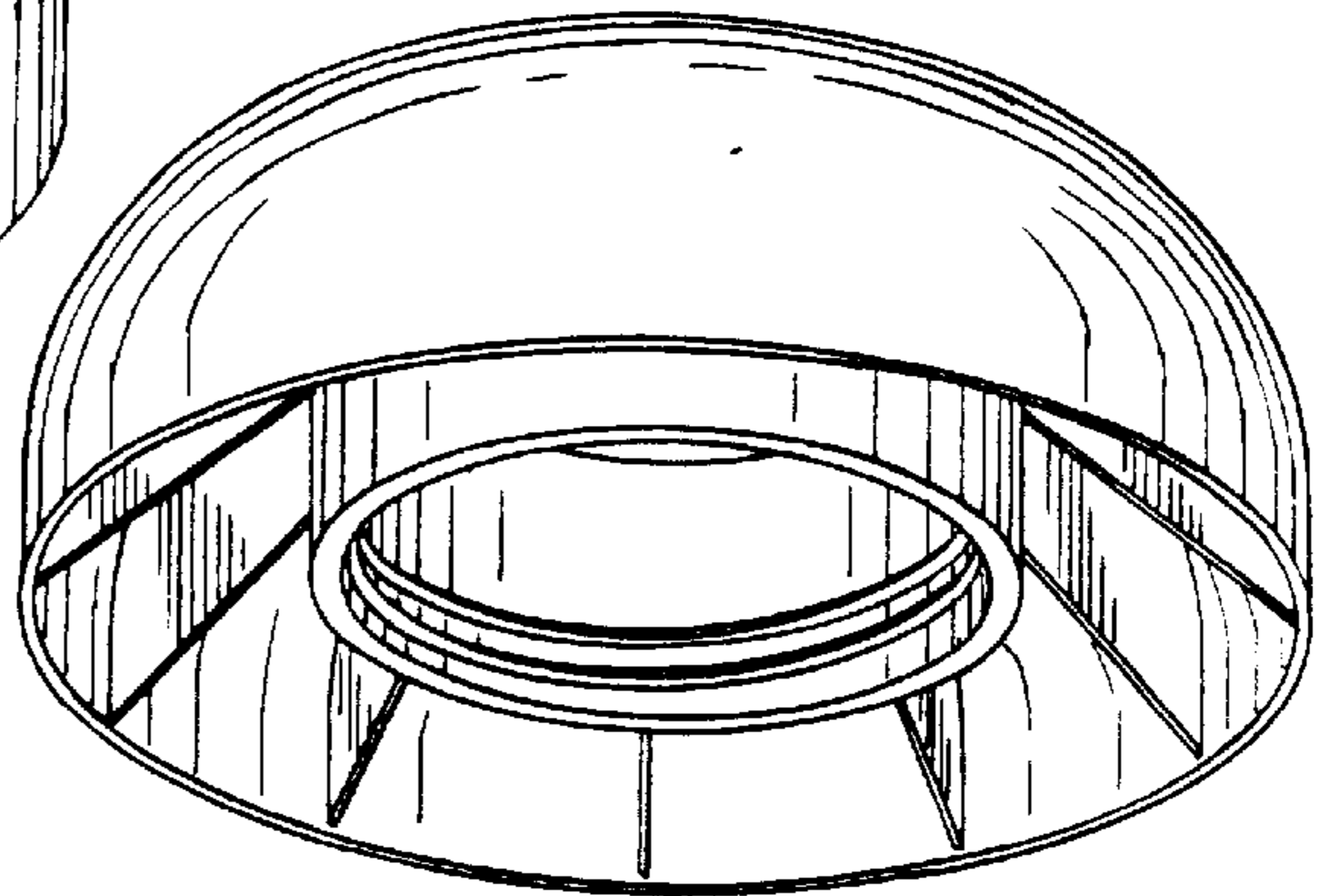


FIG.3

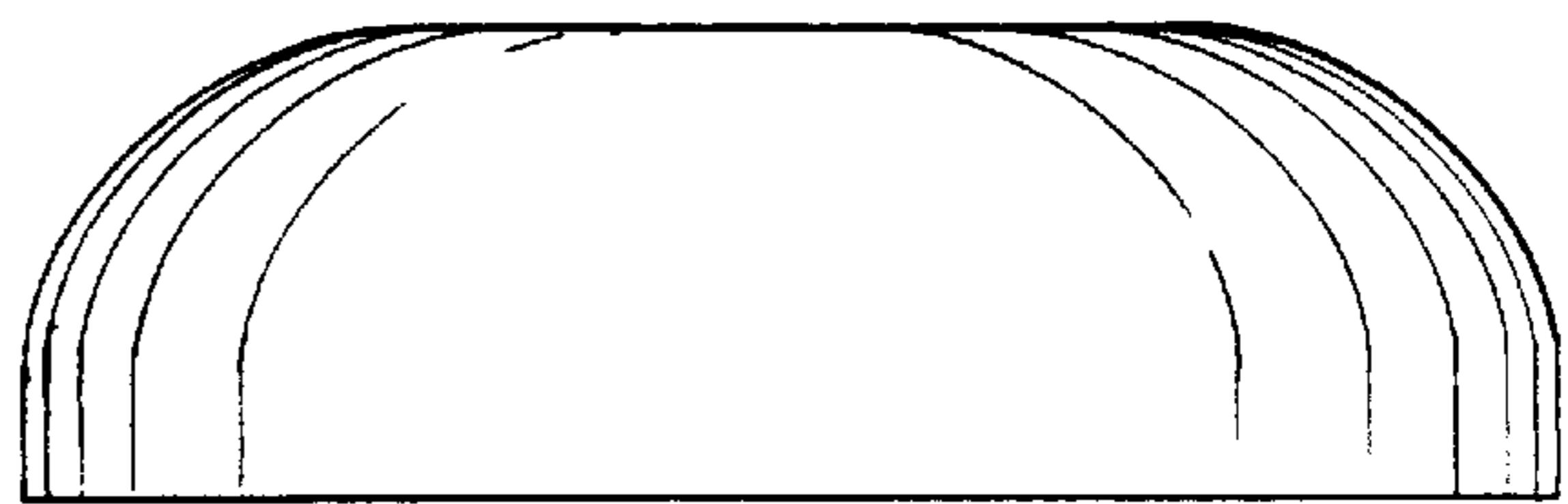


FIG.4

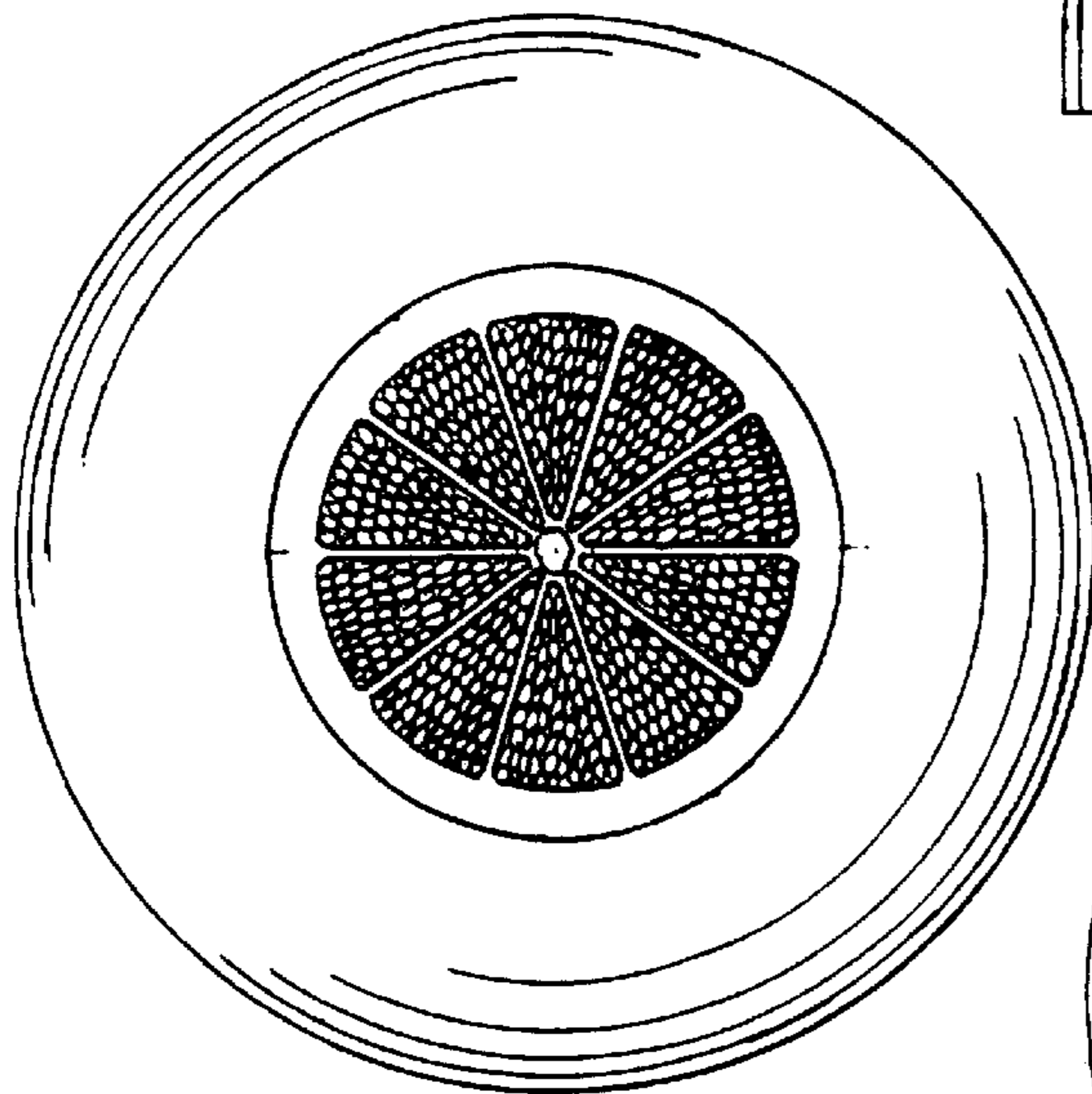


FIG.5

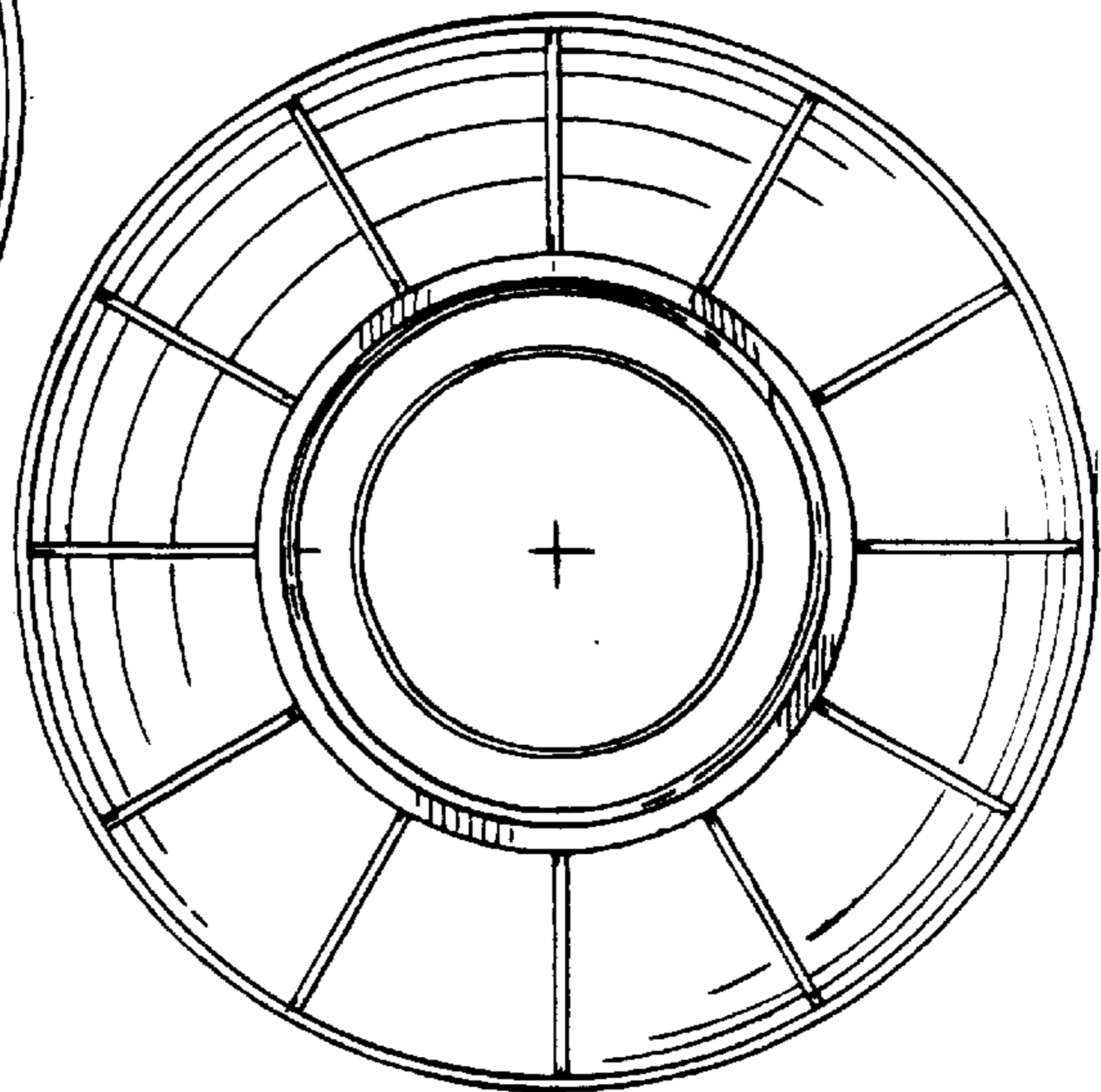


FIG.6

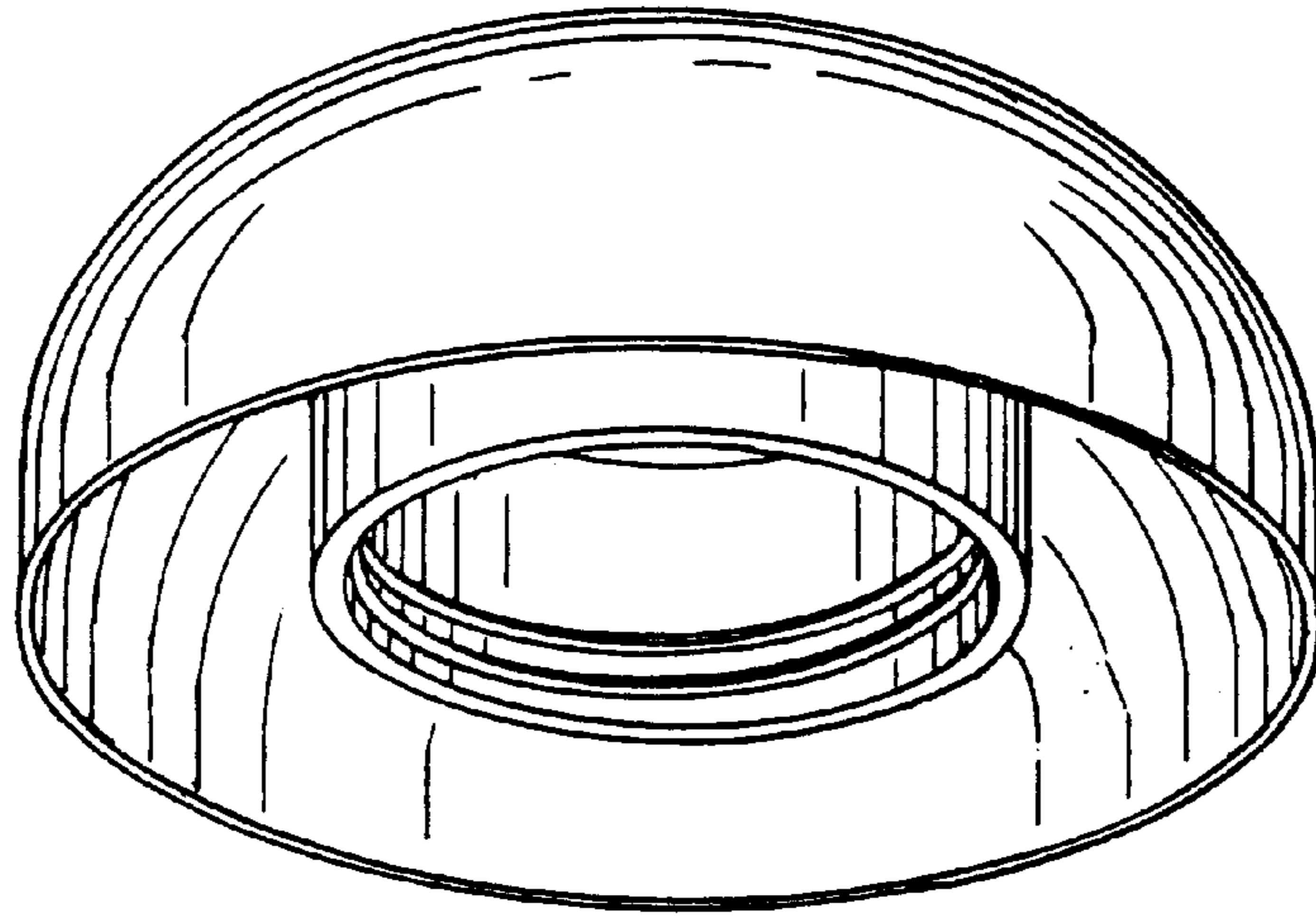


FIG.7

