



US00D435791S

(12) **United States Design Patent**
Roy

(10) **Patent No.: US D435,791 S**

(45) **Date of Patent: ** Jan. 2, 2001**

(54) **THREAD-ON BEVERAGE CONTAINER CAP**

(76) **Inventor: L. Peter Roy, P.O. Box 8675, Rocky Mount, NC (US) 27804**

(**) **Term: 14 Years**

(21) **Appl. No.: 29/122,576**

(22) **Filed: May 1, 2000**

(51) **LOC (7) Cl. 09-07**

(52) **U.S. Cl. D9/447**

(58) **Field of Search** D9/435, 440, 447,
D9/449, 450; D7/511, 392, 396.2, 398;
222/566, 568, 569, 570; 220/703, 711,
713, 717, 718; 215/387

(56) **References Cited**

U.S. PATENT DOCUMENTS

- D. 193,956 * 10/1962 Yonkers D9/448
- D. 316,035 * 4/1991 Pepitone D9/447
- D. 319,981 * 9/1991 Sledge D9/447
- D. 331,653 * 12/1992 Stone D9/447 X
- D. 332,215 * 1/1993 Halvorson D7/511 X

- D. 399,744 * 10/1998 Gross D9/447
- D. 430,455 * 9/2000 Pickens D7/392.1
- 3,704,819 * 12/1972 Lindstrom 222/546
- 5,169,026 * 12/1992 Patterson 220/740
- 6,112,926 * 9/2000 Fishman 220/711 X

* cited by examiner

Primary Examiner—Cathron Brooks

(74) *Attorney, Agent, or Firm*—H. Dennis Kelly

(57) **CLAIM**

The ornamental design for a thread-on beverage container cap, as shown and described.

DESCRIPTION

FIG. 1 is a top plan view of a thread-on beverage container cap showing my new design.

FIG. 2 is a bottom plan view thereof.

FIG. 3 is a right side elevation thereof.

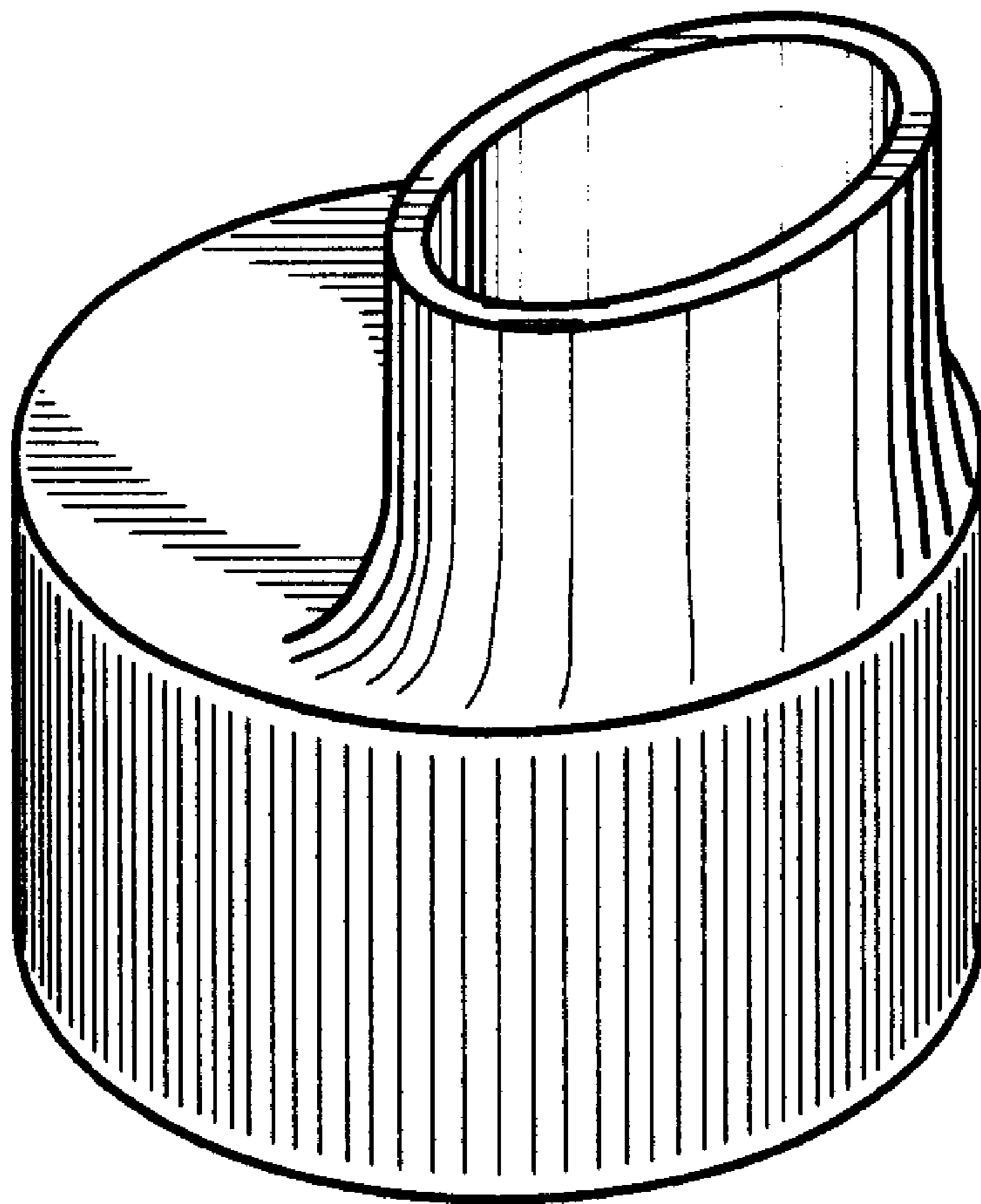
FIG. 4 is a left side elevation thereof.

FIG. 5 is a front elevation thereof.

FIG. 6 is a rear elevation thereof; and,

FIG. 7 is a perspective view thereof.

1 Claim, 1 Drawing Sheet



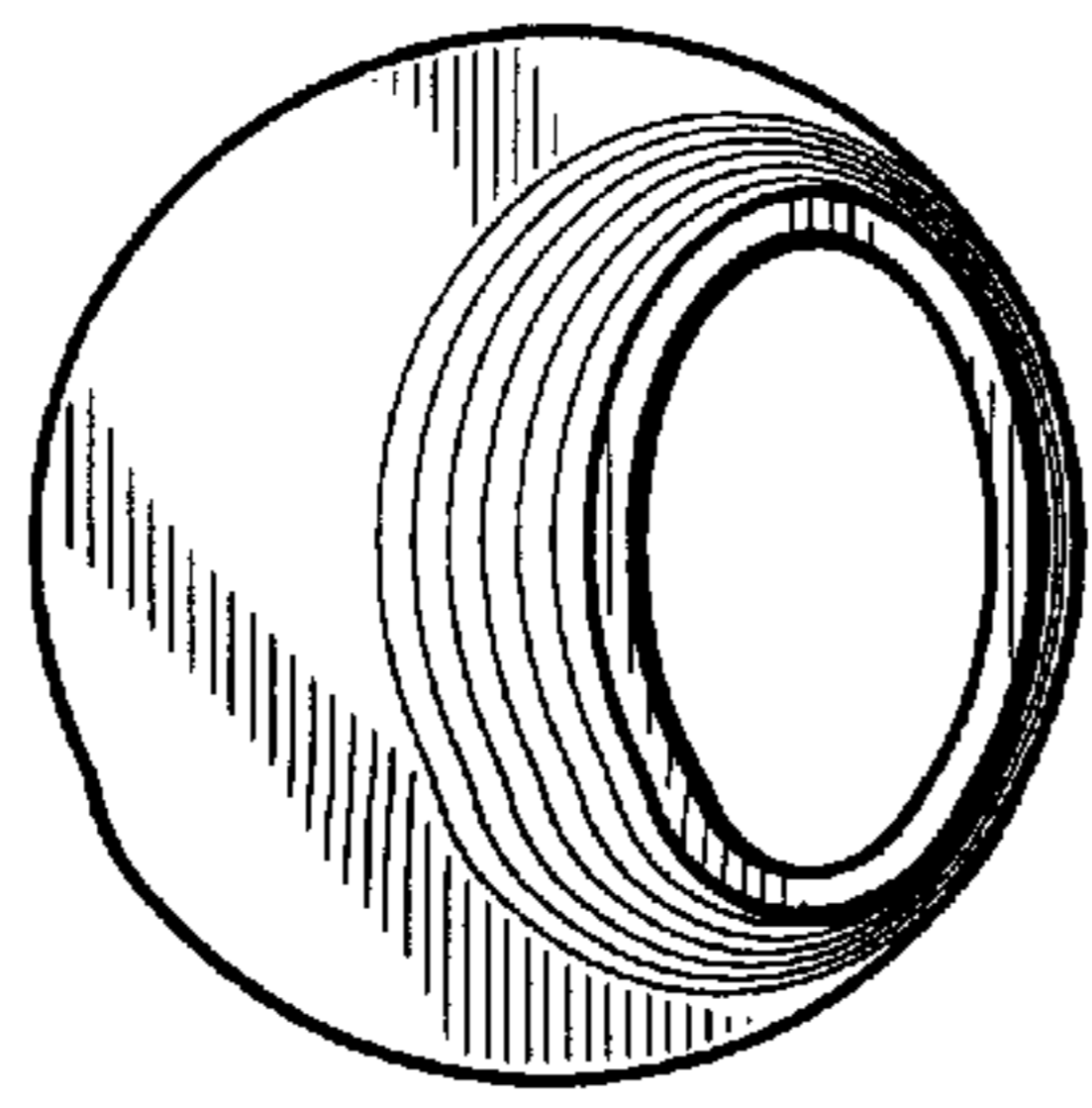


Fig.1

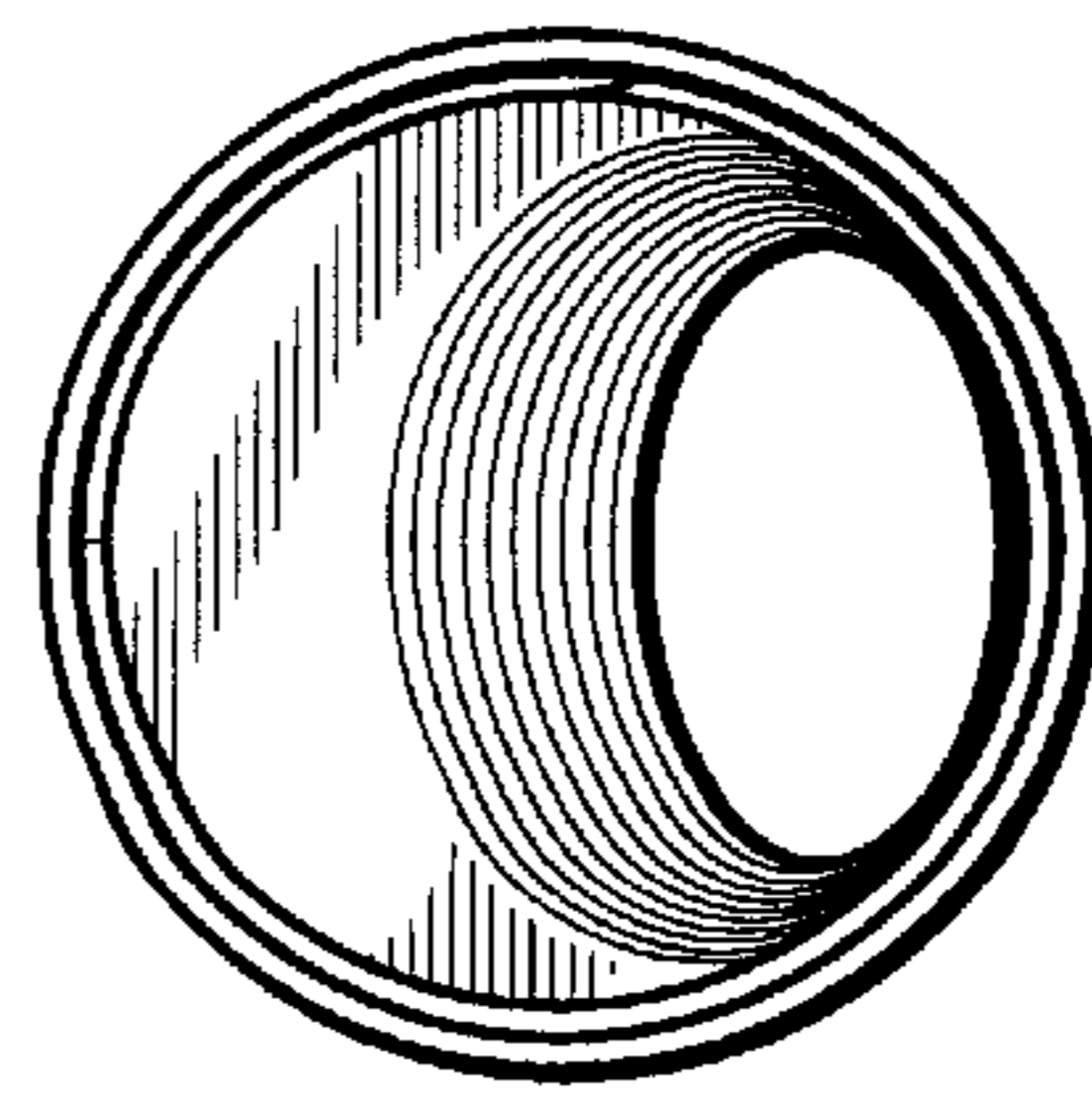


Fig.2

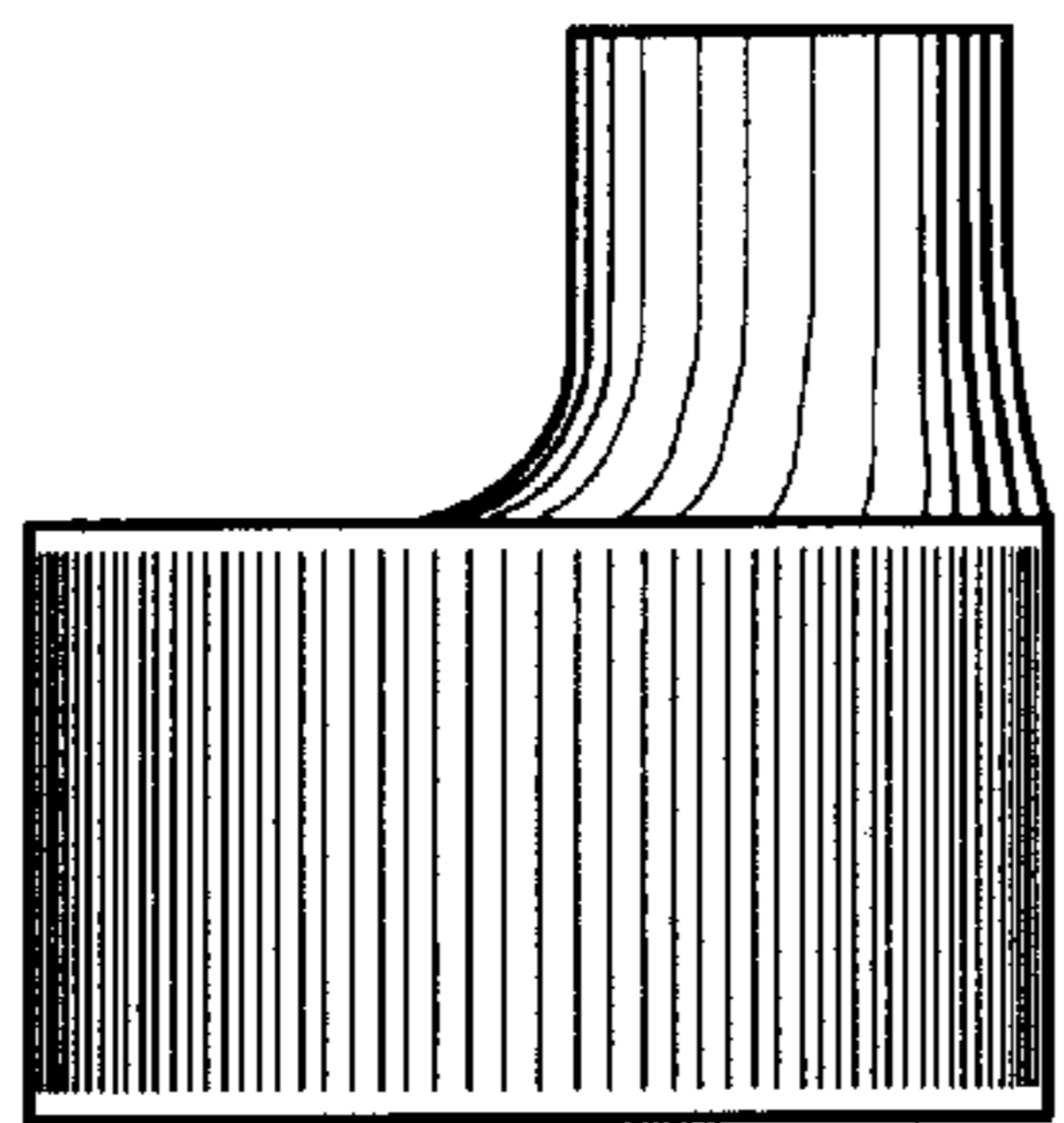


Fig.3

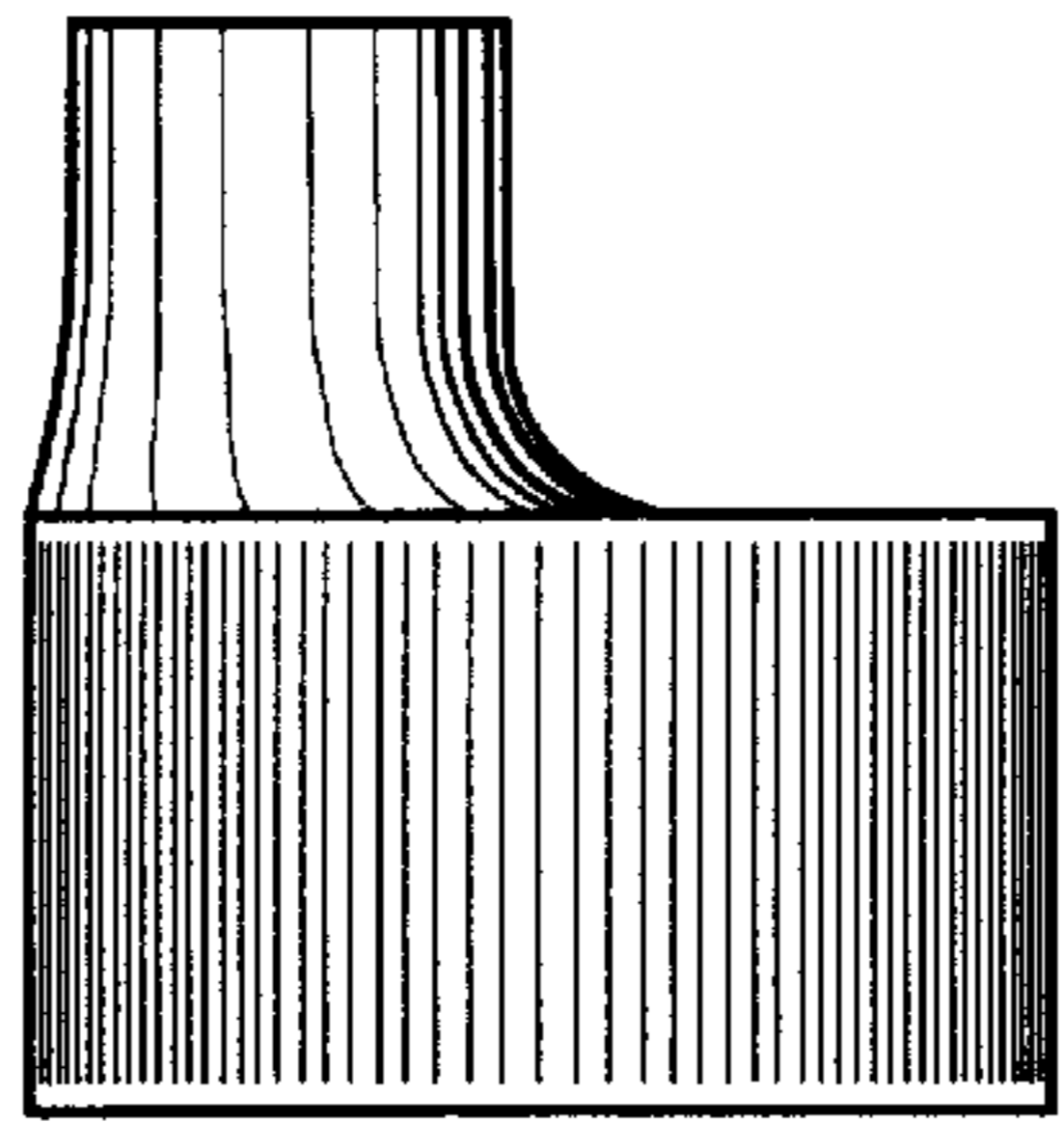


Fig.4

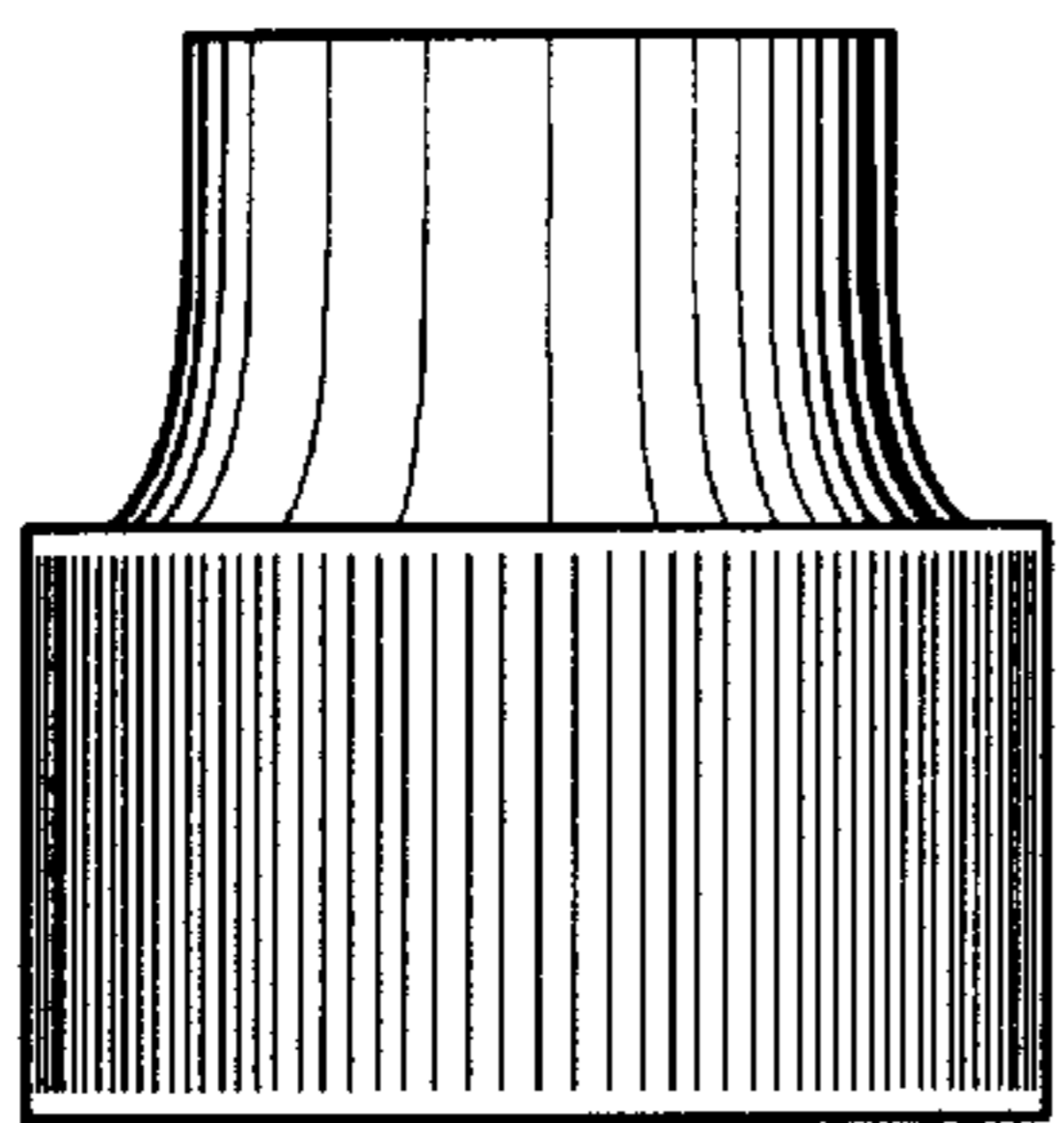


Fig.5

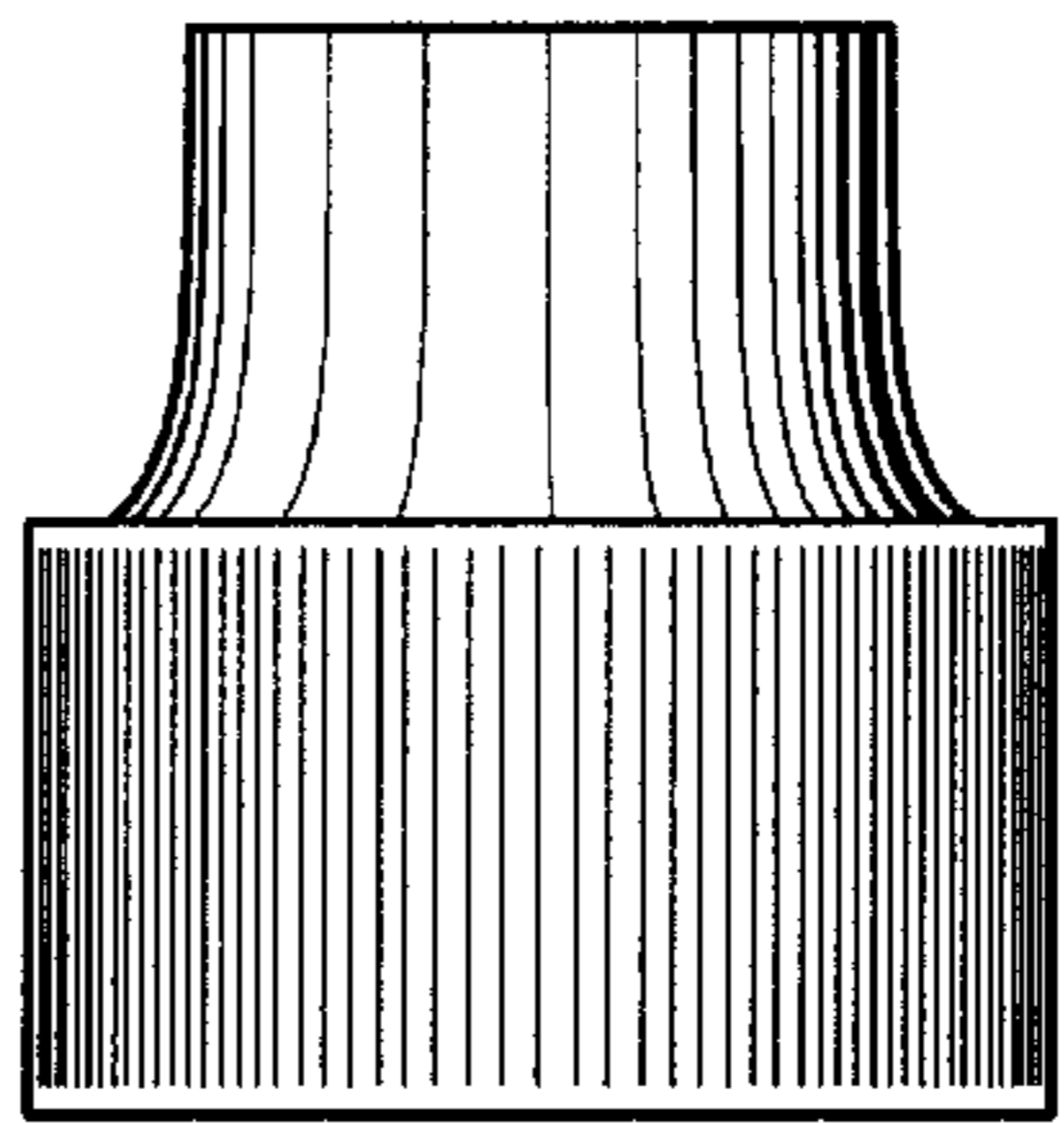


Fig.6

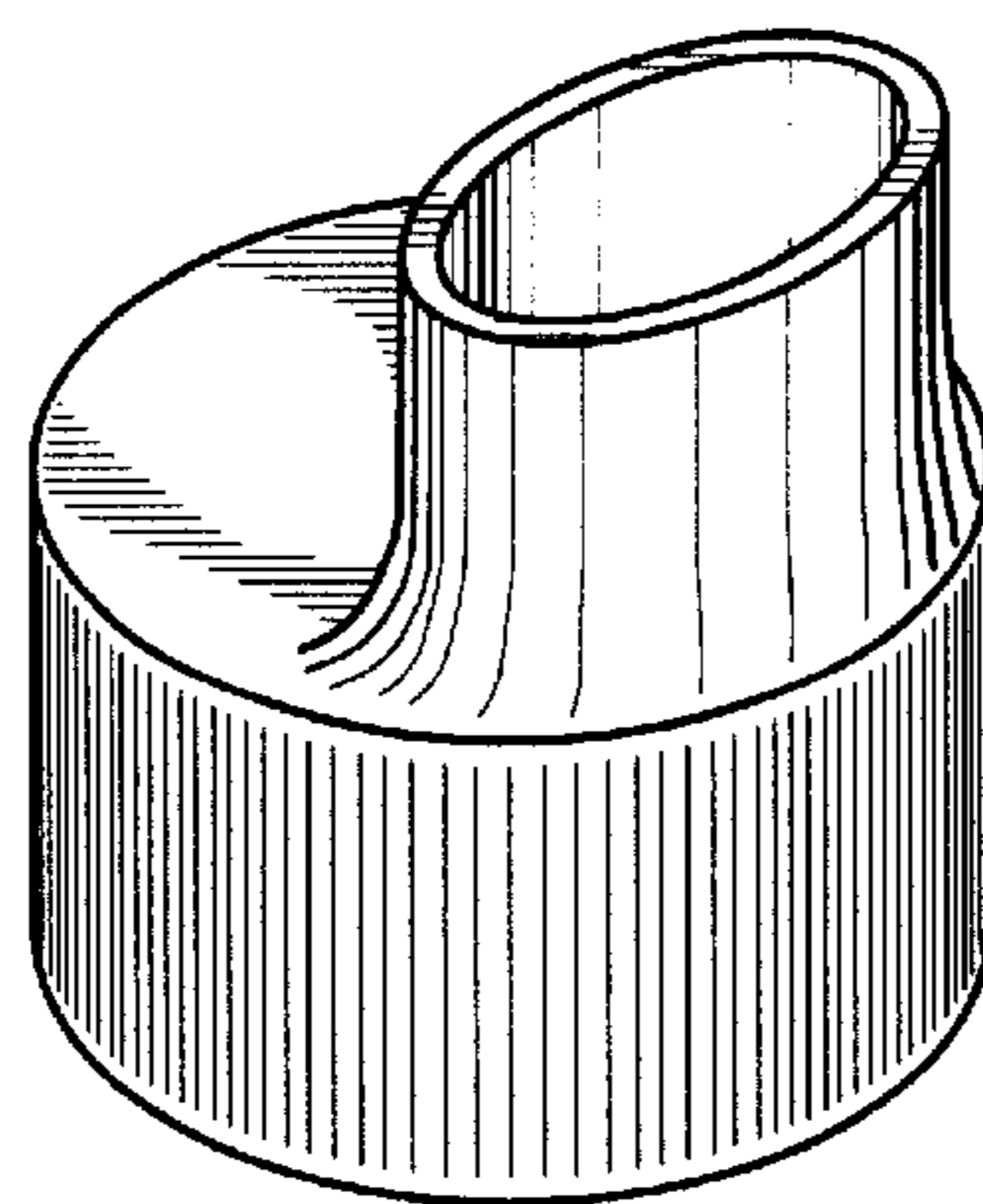


Fig.7