



US00D435790S

(12) **United States Design Patent**
Liang

(10) **Patent No.:** **US D435,790 S**

(45) **Date of Patent:** **** Jan. 2, 2001**

(54) **DISPLAY CONTAINER**

(75) **Inventor:** **Wing Fung Liang**, Deerfield Beach, FL (US)

(73) **Assignee:** **Oko International Co.**, Deerfield Beach, FL (US)

(**) **Term:** **14 Years**

(21) **Appl. No.:** **29/097,185**

(22) **Filed:** **Dec. 1, 1998**

(51) **LOC (7) Cl.** **09-07**

(52) **U.S. Cl.** **D9/418; D9/429**

(58) **Field of Search** D9/415, 418, 428, D9/429, 430, 414, 557; 206/301, 6.1, 581, 303, 407, 566, 823, 769, 770, 775-778, 457, 458; 220/602, 675, 677; 229/116.1, 110, 4.5, 162

(56) **References Cited**

U.S. PATENT DOCUMENTS

- D. 273,093 * 3/1984 Lunden et al. D9/418 X
- D. 368,655 * 4/1996 Chahed D9/429
- D. 387,982 * 12/1997 Kaplan D9/418 X

- 2,853,182 * 9/1958 Barnett 206/301 X
- 3,853,216 * 12/1974 Jaeschke 206/301
- 4,201,293 * 5/1980 Rigazio et al. 206/301
- 4,955,471 * 9/1990 Hirose et al. 206/303

* cited by examiner

Primary Examiner—Prabhakar Deshmukh

(74) *Attorney, Agent, or Firm*—Cohen, Pontani, Lieberman & Pavane

(57) **CLAIM**

The ornamental design for a display container, as shown and described.

DESCRIPTION

FIG. 1 is perspective view of display container showing my new design;
 FIG. 2 is a rear elevational view thereof; the front elevational view being a mirror image thereof;
 FIG. 3 is a top plan view thereof;
 FIG. 4 is a left side elevational view thereof; the right elevational view being a mirror thereof; and,
 FIG. 5 is a bottom plan view thereof.
 The broken line showing of a watch is for illustrative purpose only and forms no part of the claimed design.

1 Claim, 2 Drawing Sheets

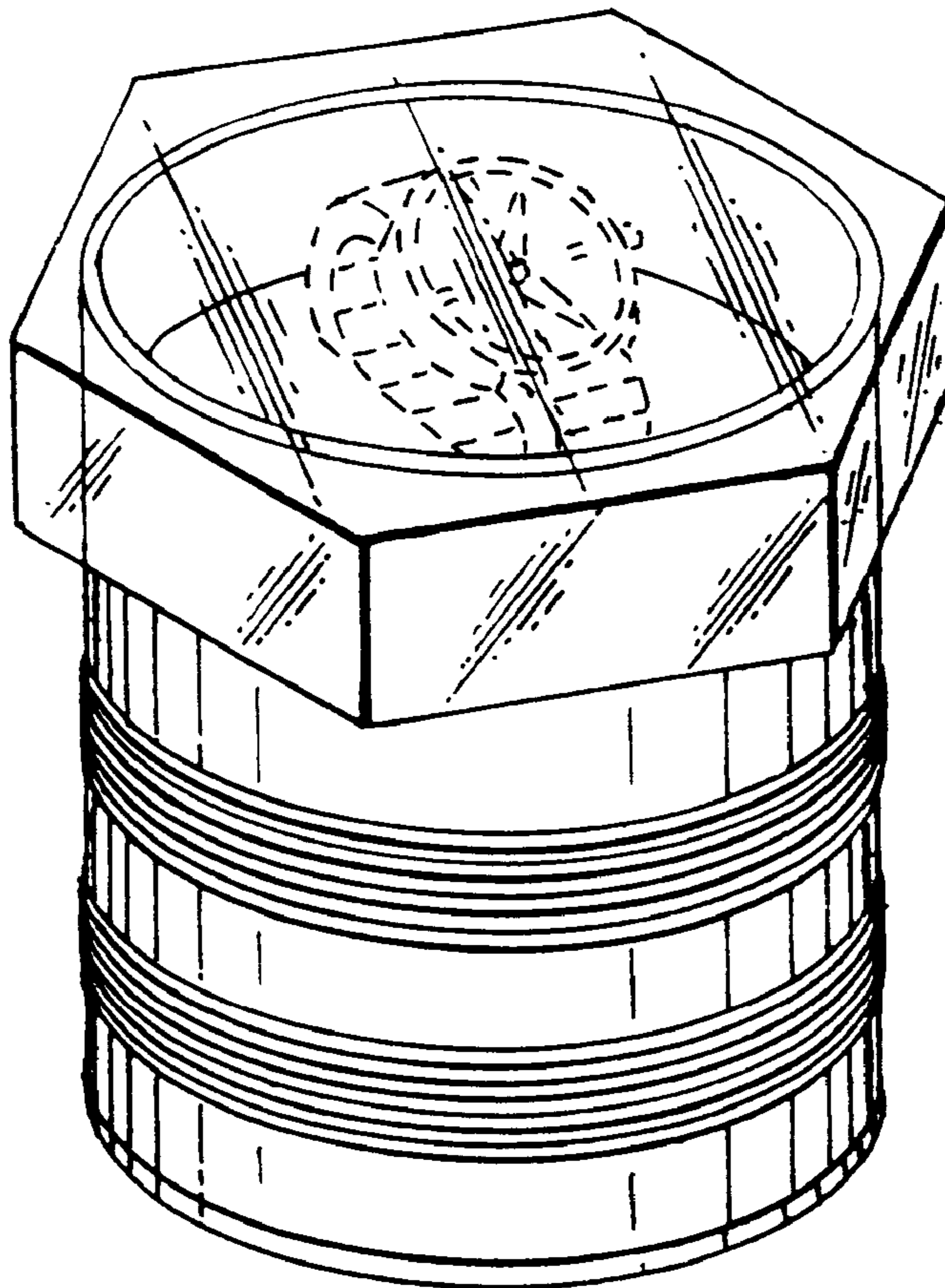


FIG. 1

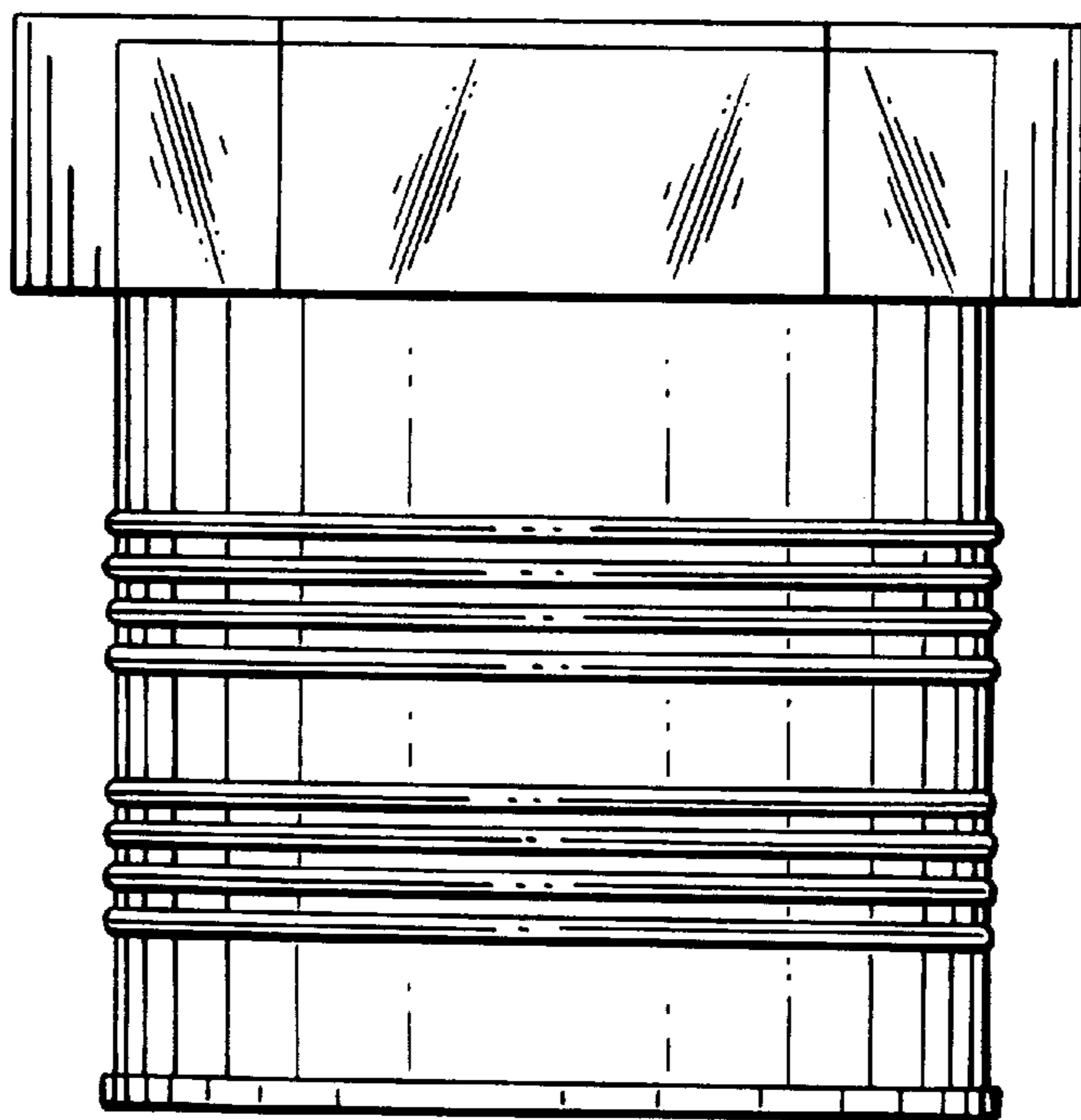
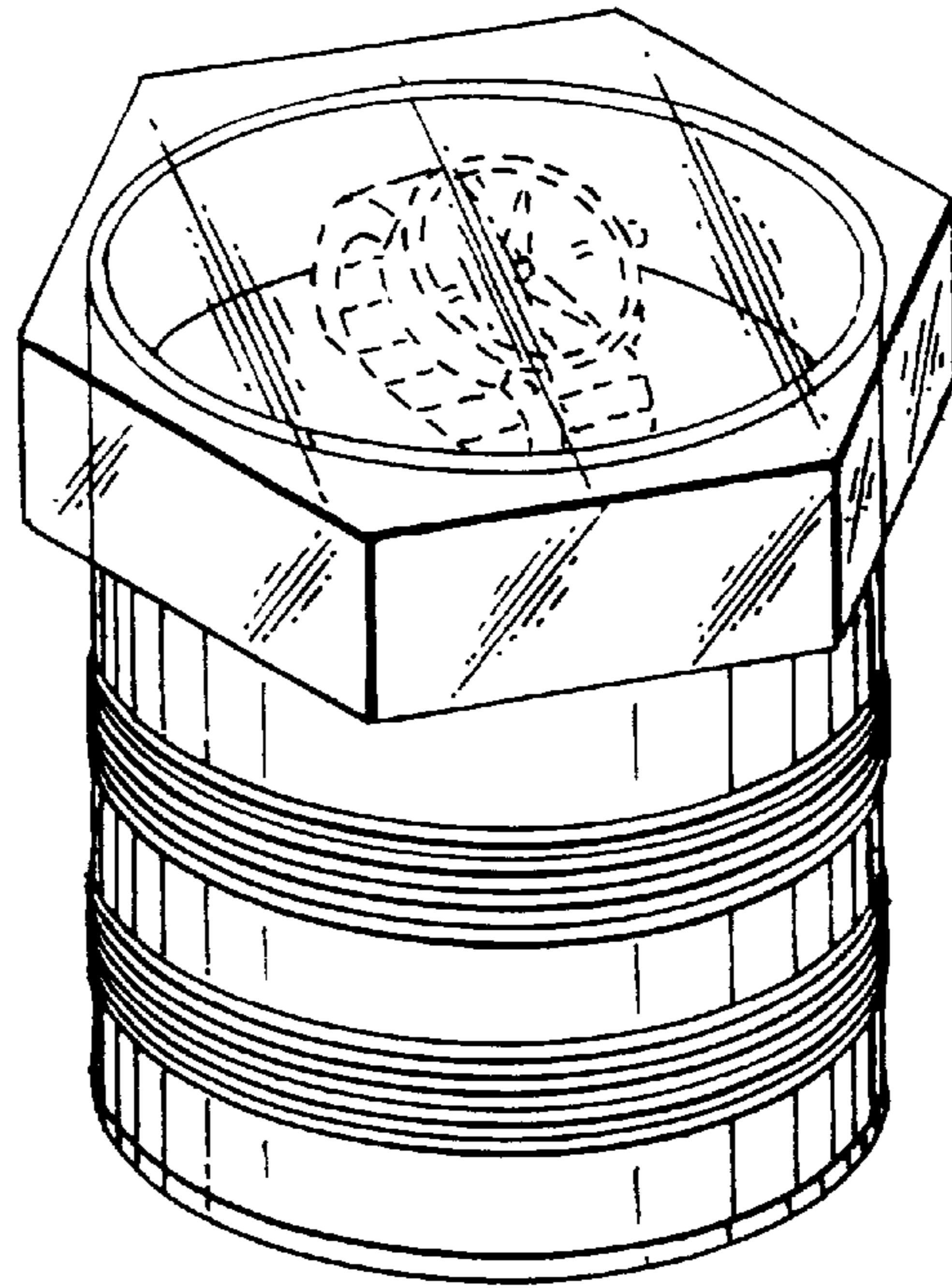


FIG. 2

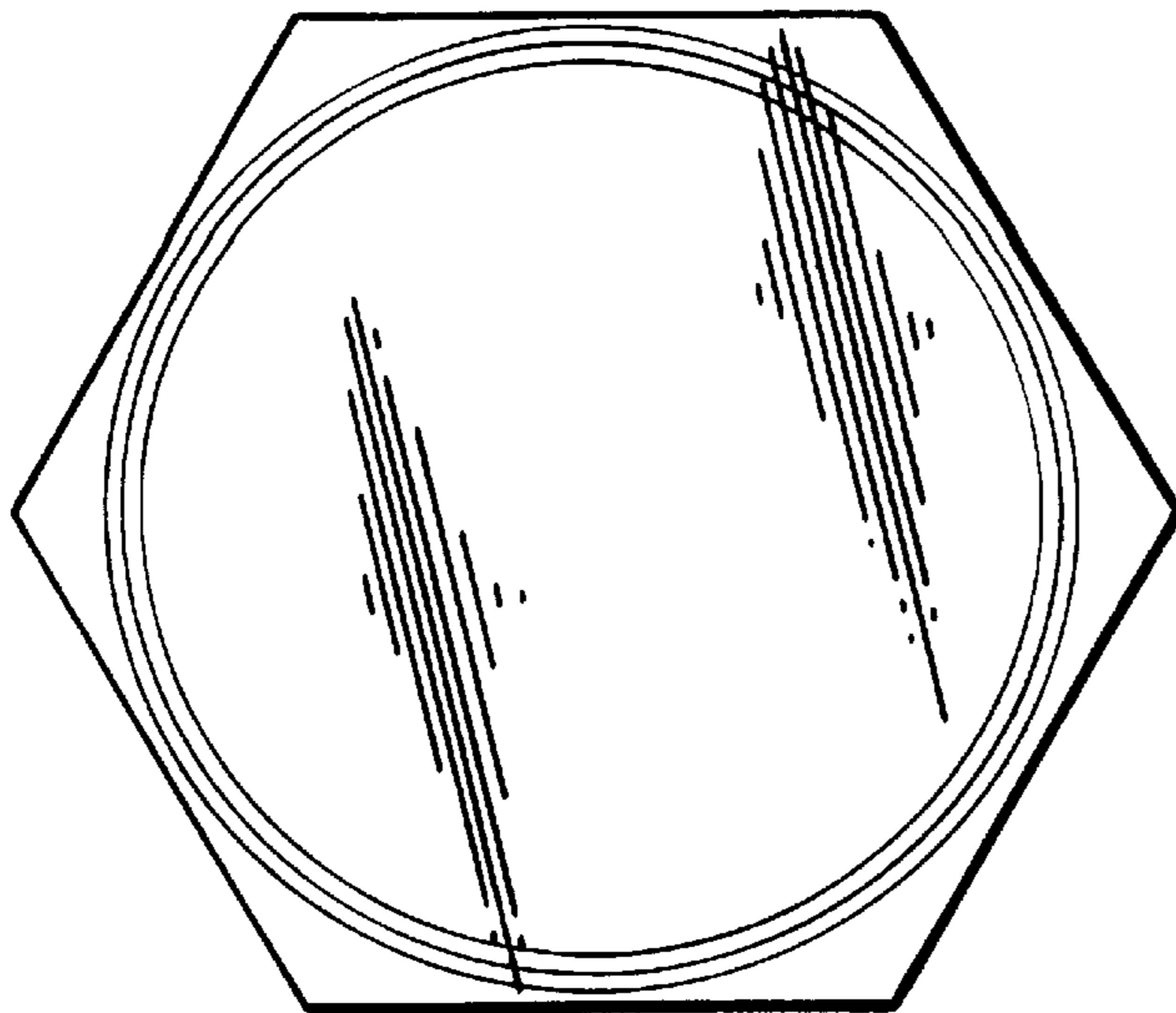


FIG. 3

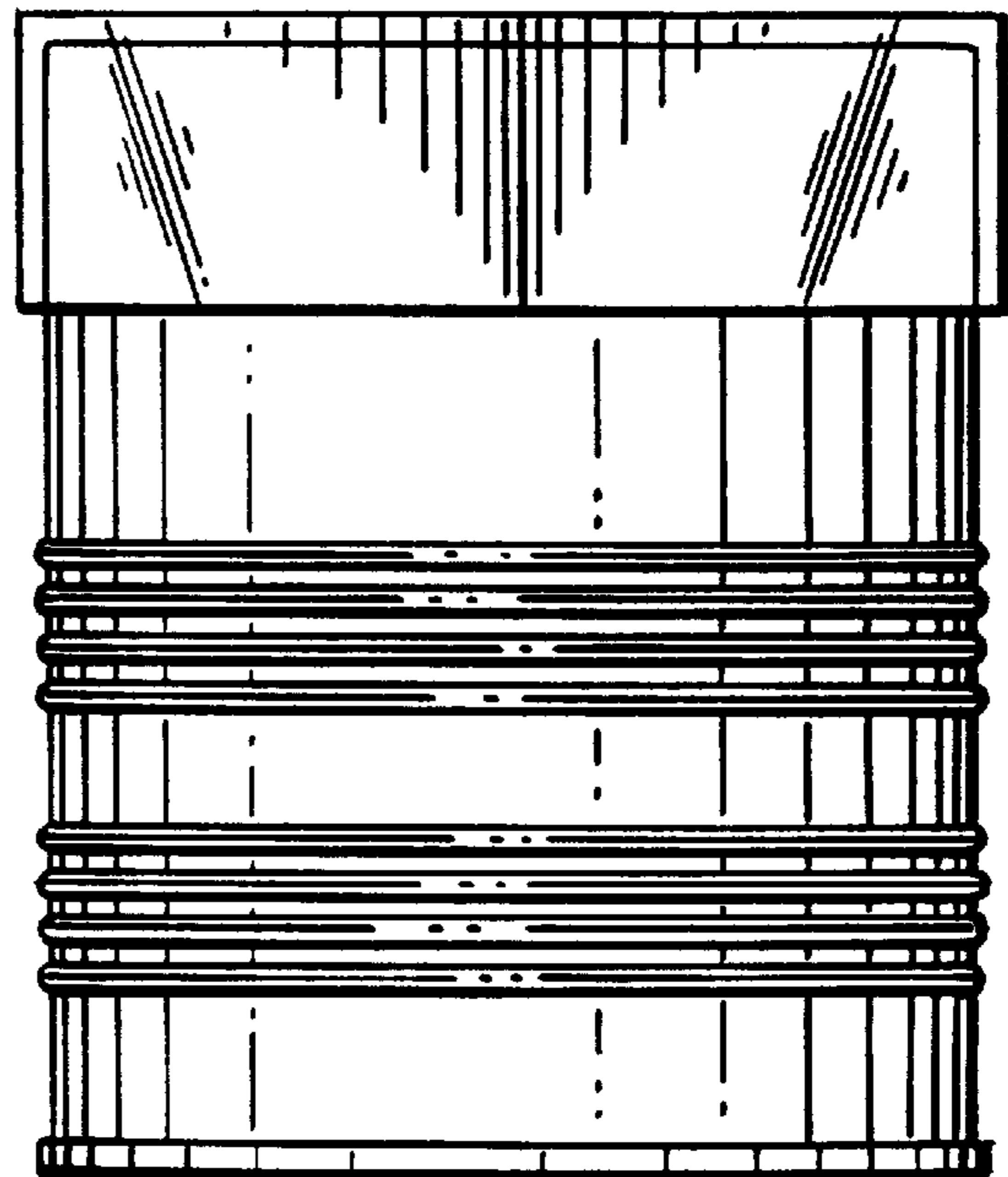


FIG. 4

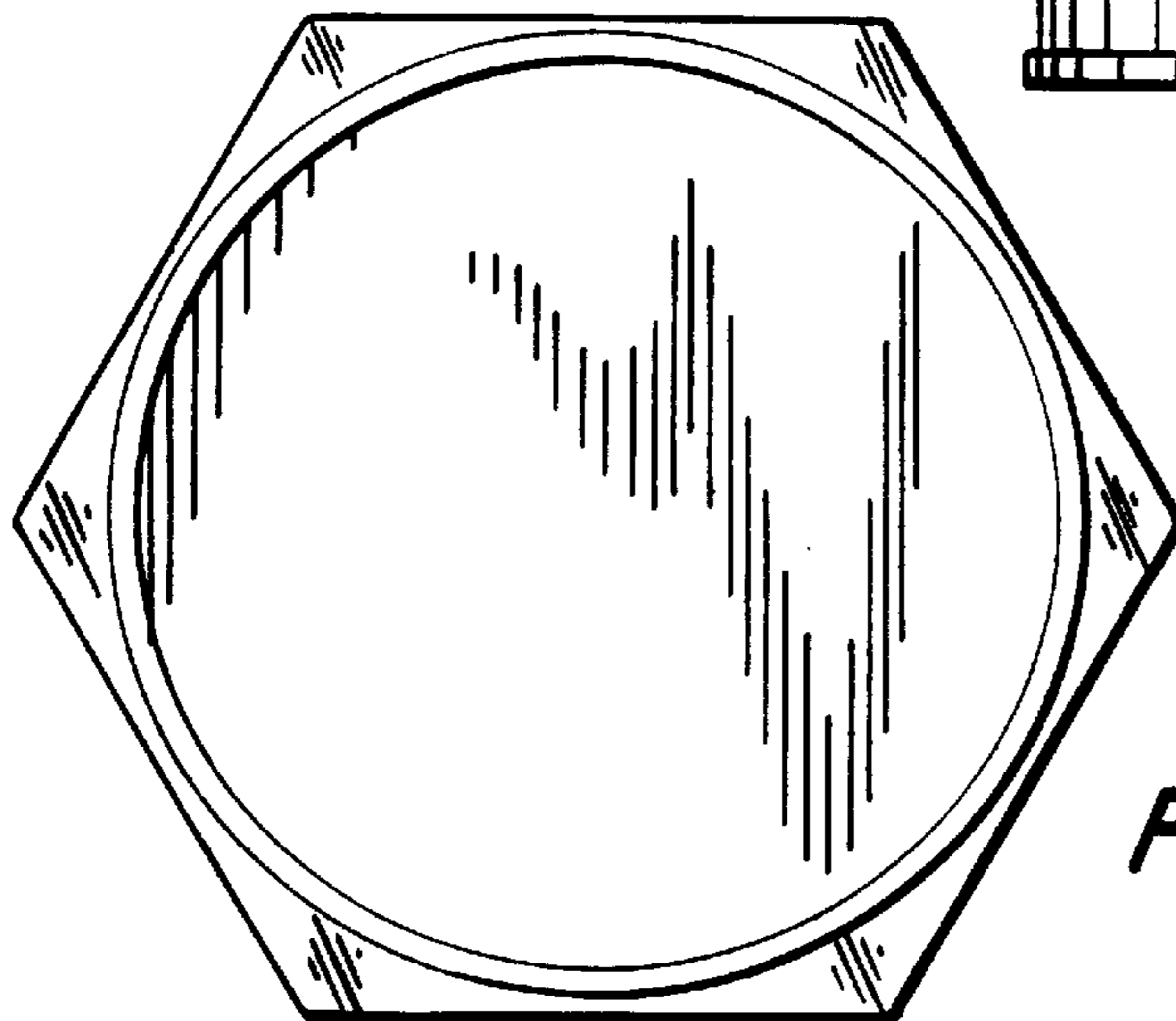


FIG. 5