



US00D435789S

(12) **United States Design Patent**
Holzinger

(10) **Patent No.:** **US D435,789 S**

(45) **Date of Patent:** **** Jan. 2, 2001**

(54) **FASTENER**

(76) Inventor: **Alois Holzinger**, Reichsstrasse 34,
A-6800 Feldkirch (AT)

(**) Term: **14 Years**

(21) Appl. No.: **29/109,917**

(22) Filed: **Aug. 25, 1999**

Related U.S. Application Data

(62) Division of application No. 29/083,652, filed on Feb. 13,
1998.

(30) **Foreign Application Priority Data**

Sep. 4, 1997 (AT) MU-3395/97
Sep. 4, 1997 (AT) MU-3396/97

(51) **LOC (7) Cl.** **08-08**

(52) **U.S. Cl.** **D8/387**

(58) **Field of Search** D8/382, 387, 388;
52/157, 153; 405/253

(56) **References Cited**

U.S. PATENT DOCUMENTS

D. 378,052 * 2/1997 Perreault D8/387
D. 381,892 * 8/1997 Porter et al. D8/387
5,575,122 * 11/1996 Hamilton et al. D8/388 X

* cited by examiner

Primary Examiner—Holly Baynham

(74) *Attorney, Agent, or Firm*—Friedrich Kueffner

(57) **CLAIM**

The ornamental design for a fastener, as shown and described.

DESCRIPTION

FIG. 1 is a perspective front view of my new design;
FIG. 2 is a top view;
FIG. 3 is a bottom view, on a larger scale;
FIG. 4 is a side view; and,
FIG. 5 is an opposite side view.

1 Claim, 1 Drawing Sheet

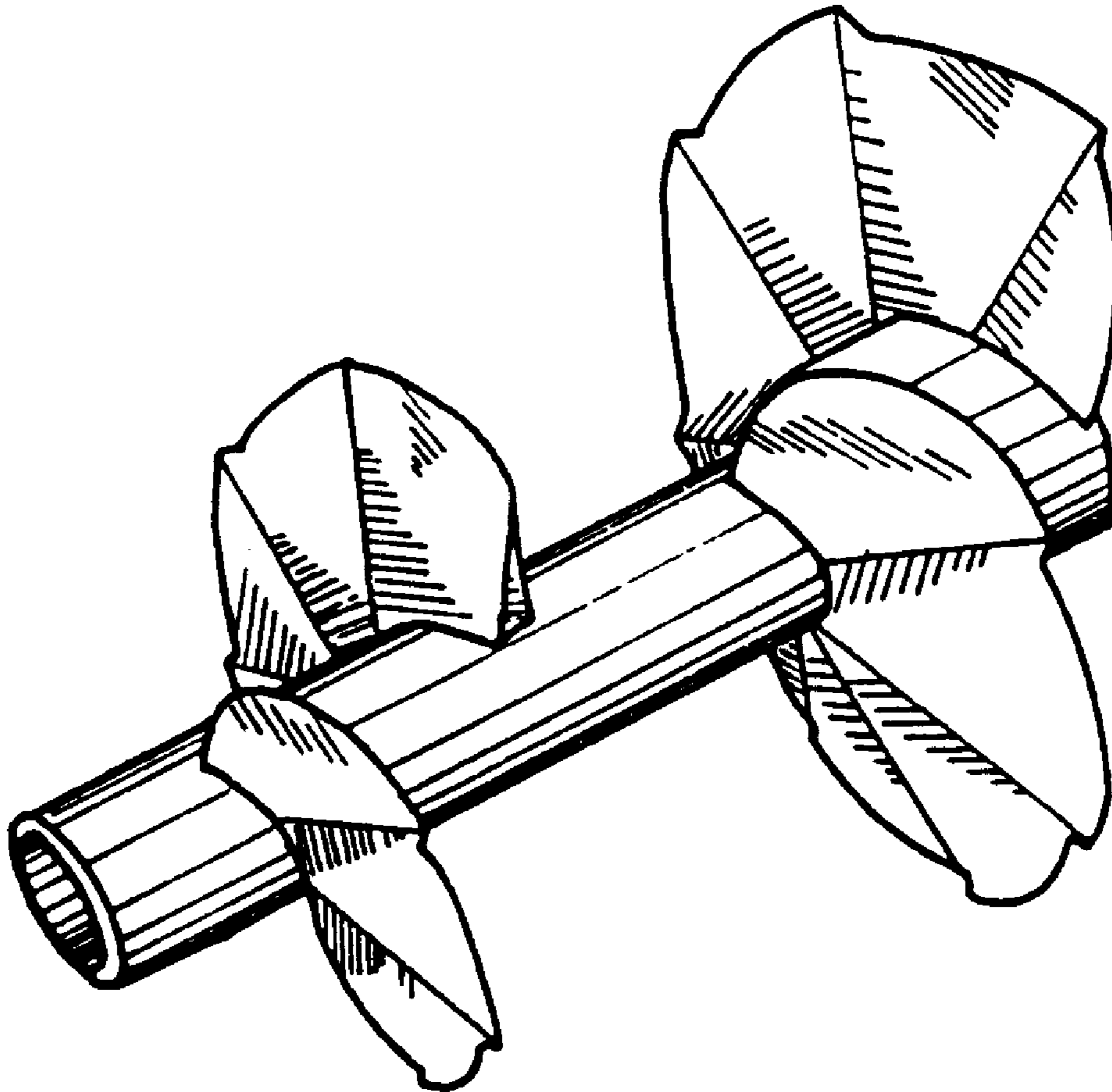


FIG. 1

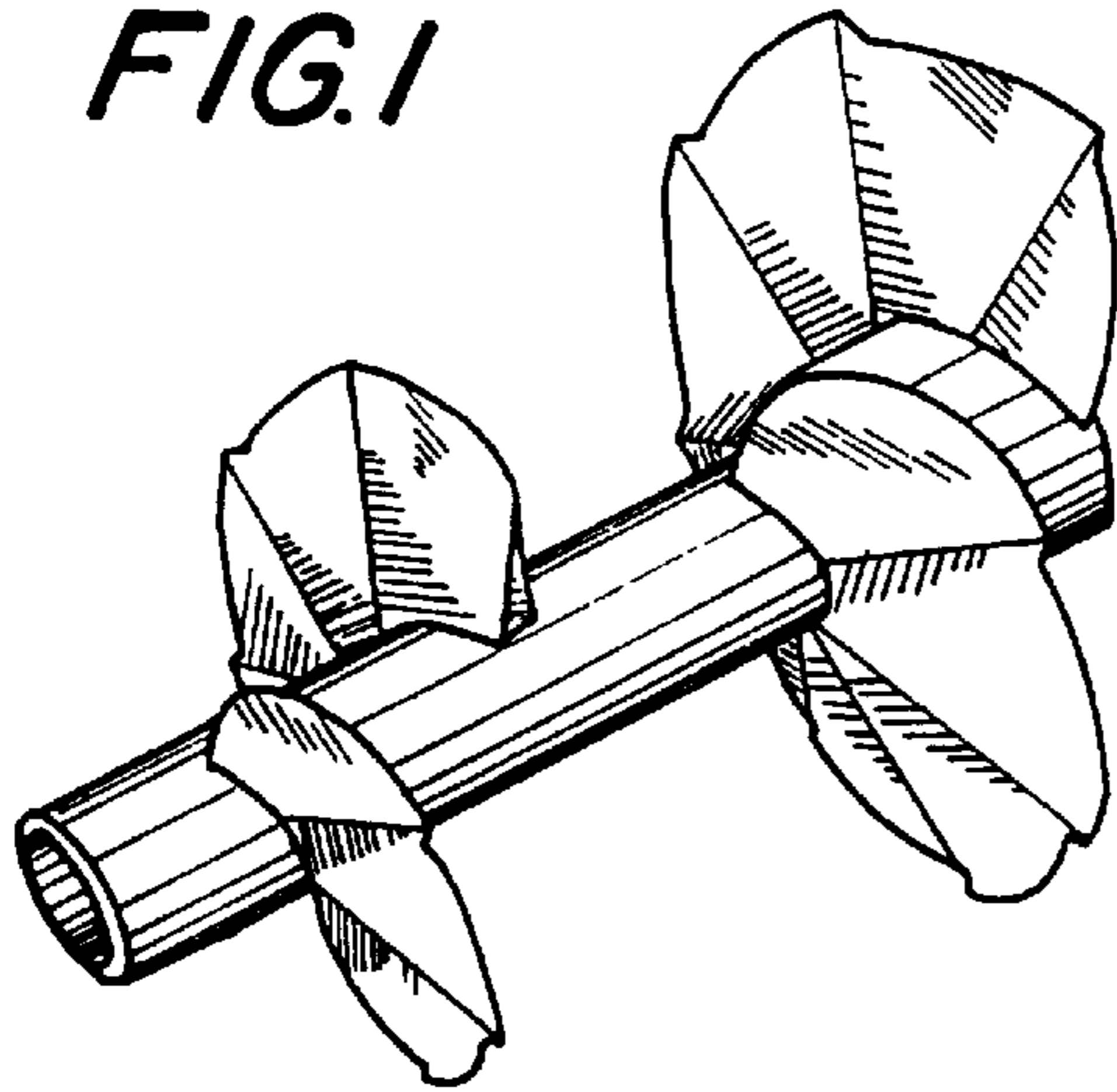


FIG. 2

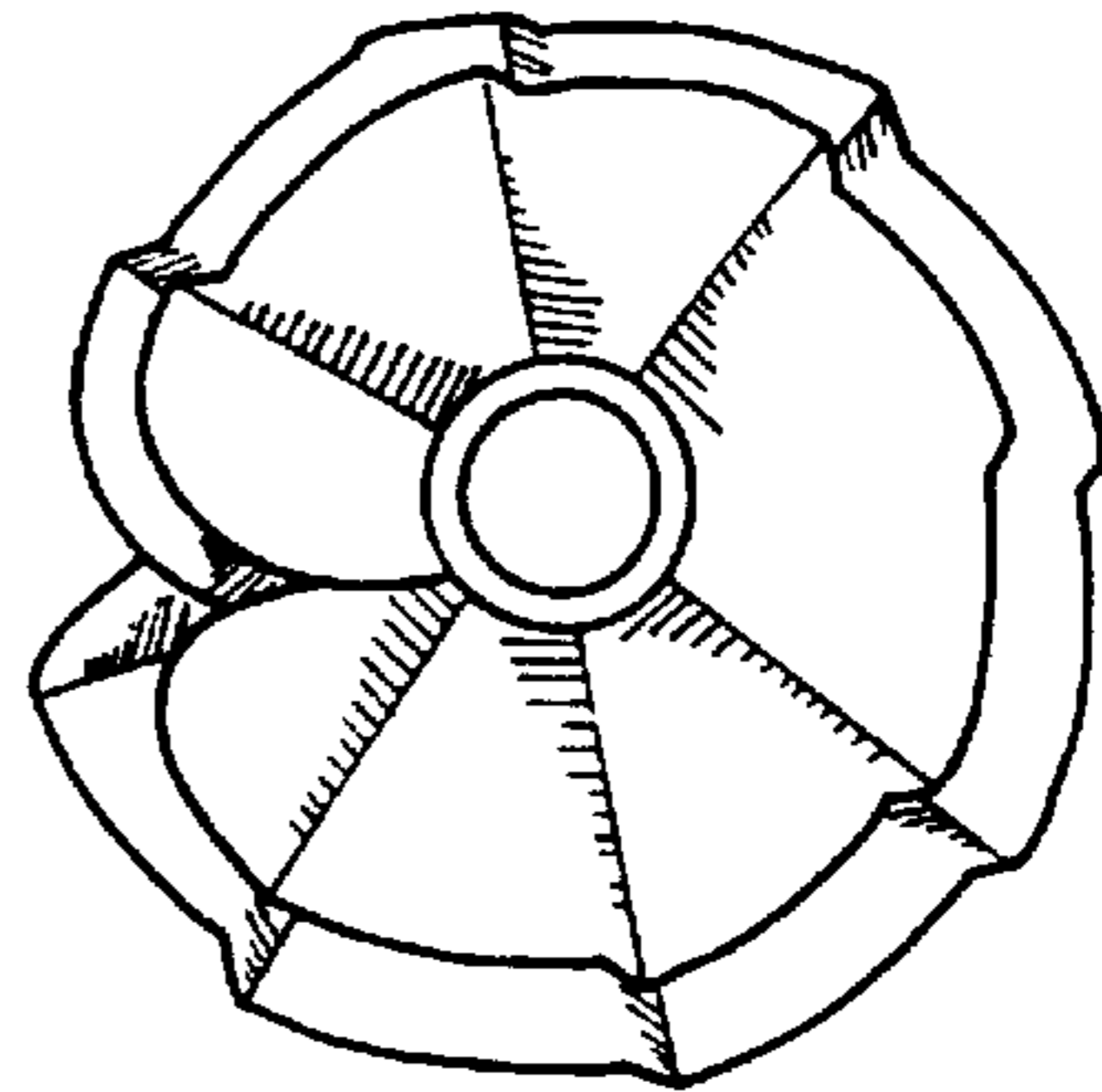


FIG. 3

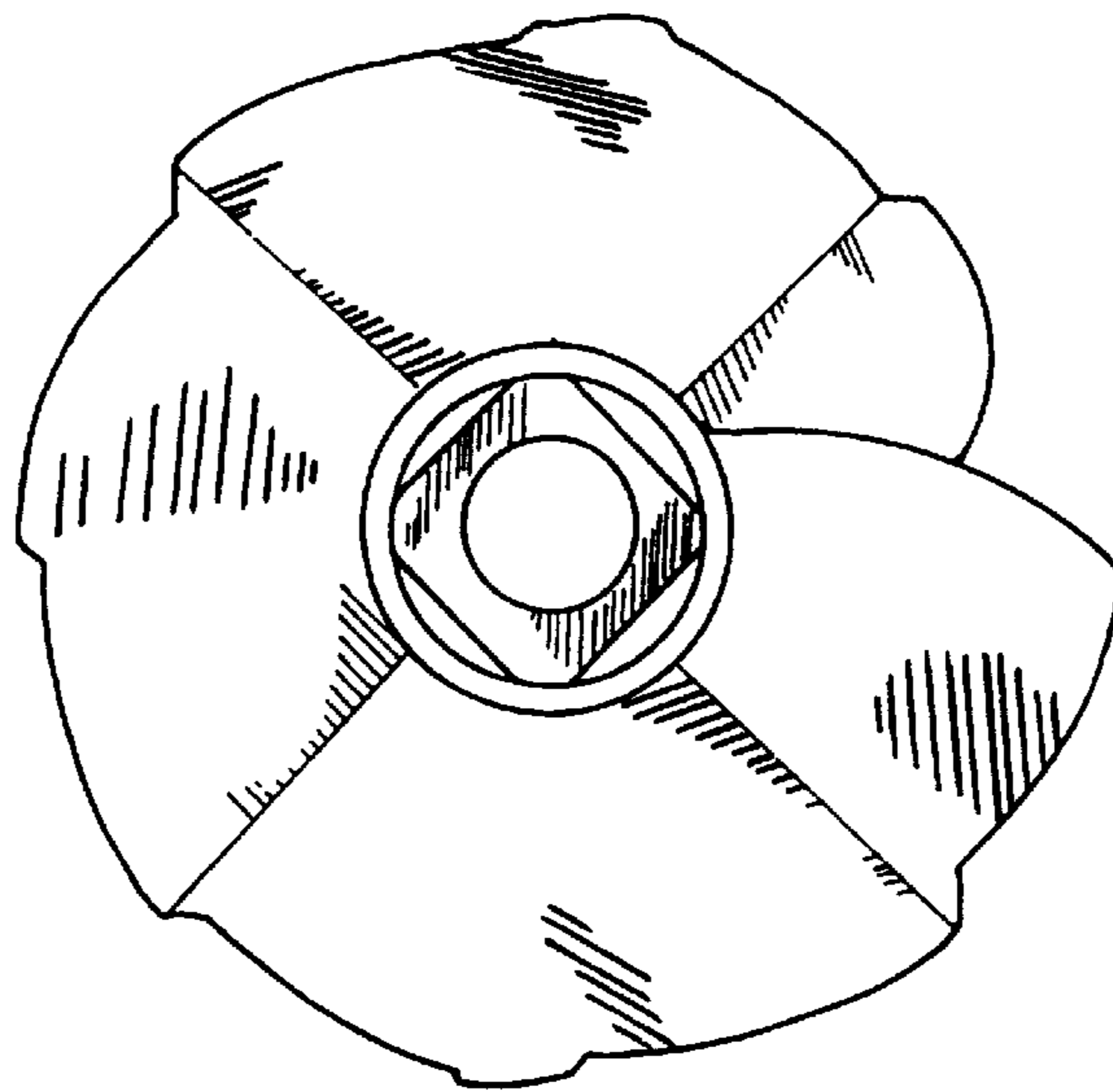


FIG. 4

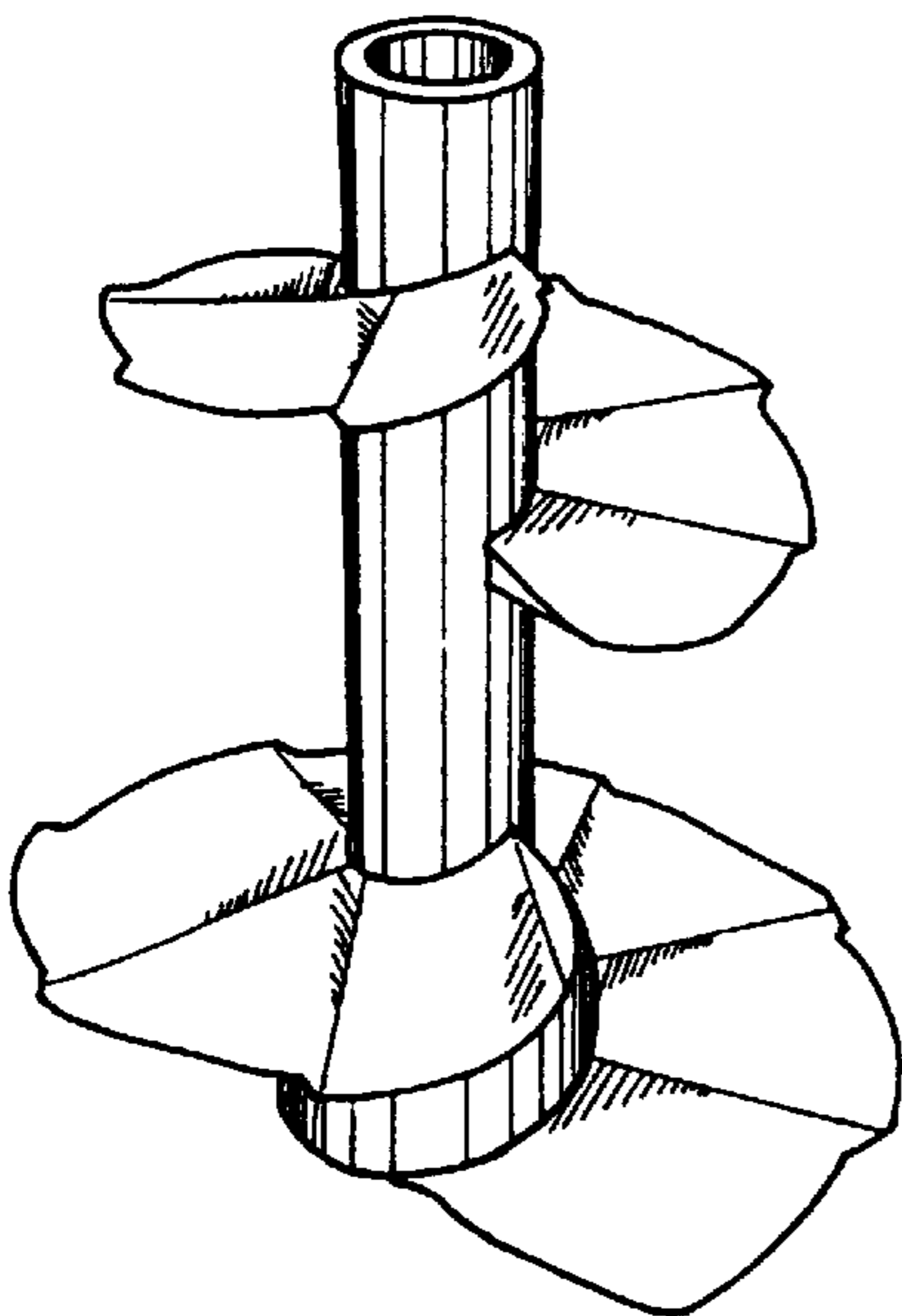


FIG. 5

