



US00D435788S

(12) **United States Design Patent**
Bünning

(10) **Patent No.:** **US D435,788 S**

(45) **Date of Patent:** **** Jan. 2, 2001**

(54) **CONNECTING ELEMENT**

2,657,439 * 11/1953 Levine 403/231

(75) Inventor: **Torsten Bünning**, Fellbach-Schmidlen (DE)

* cited by examiner

(73) Assignee: **Robert Bosch GmbH**, Stuttgart (DE)

Primary Examiner—Holly Baynham

(74) *Attorney, Agent, or Firm*—Michael J. Striker

(**) Term: **14 Years**

(57) **CLAIM**

(21) Appl. No.: **29/066,145**

The ornamental design for a connecting element, as shown and described.

(22) Filed: **Feb. 3, 1997**

DESCRIPTION

(30) **Foreign Application Priority Data**

Aug. 5, 1996 (DE) M 96 06 635

(51) **LOC (7) Cl.** **08-08**

(52) **U.S. Cl.** **D8/382**

(58) **Field of Search** D8/382; 403/403, 403/205, 231; D6/492

FIG. 1 is a perspective view of a connecting element showing my new design which is also a mirror image of the opposite side thereof;

FIG. 2 is a front plan view thereof;

FIG. 3 is a side plan view thereof which is a mirror image of the opposite side thereof; and,

FIG. 4 is a top plan view thereof.

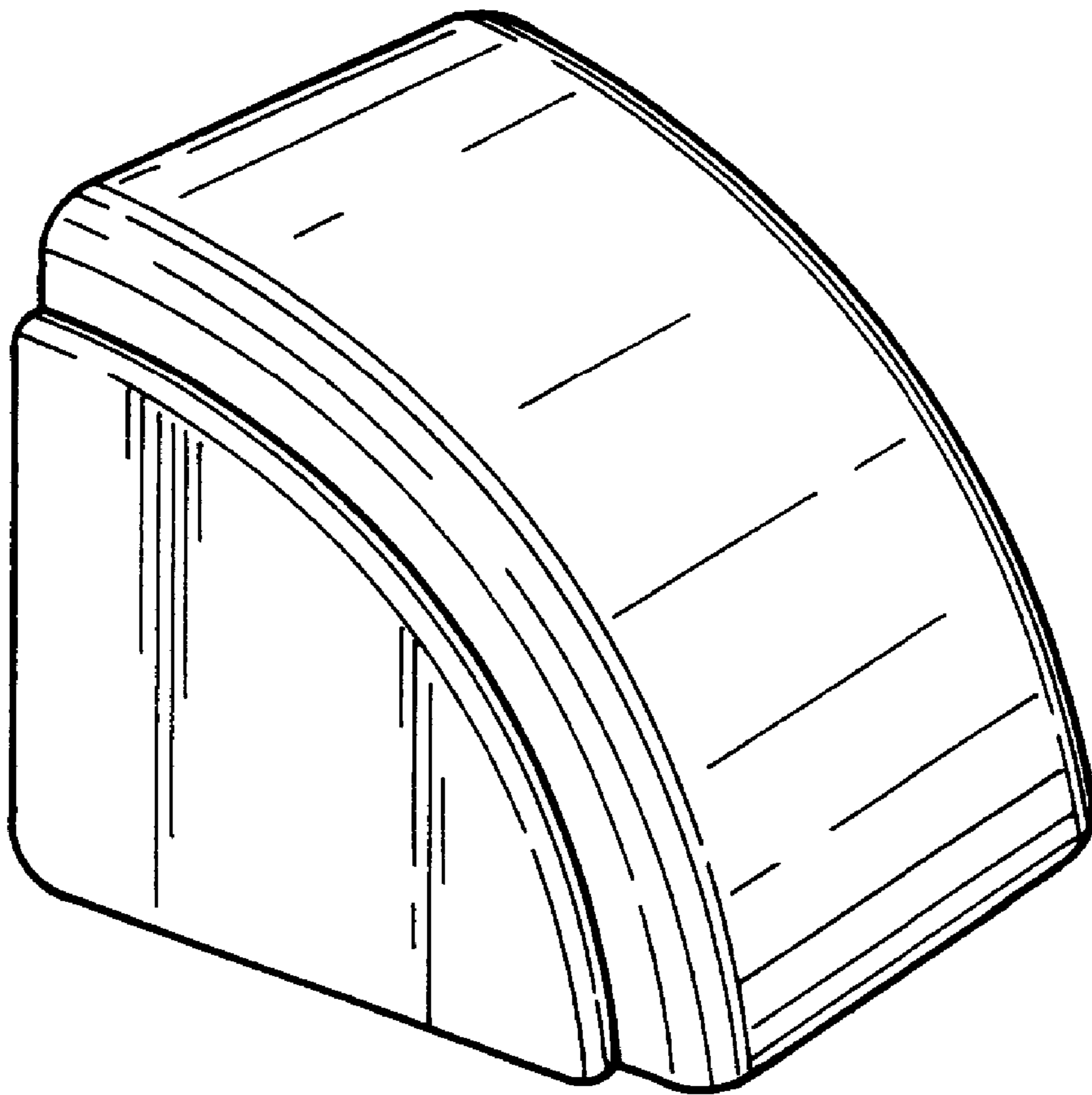
Any undisclosed surface area in any figure is without ornamentation.

(56) **References Cited**

U.S. PATENT DOCUMENTS

2,594,580 * 4/1952 Paul 403/205 X

1 Claim, 2 Drawing Sheets



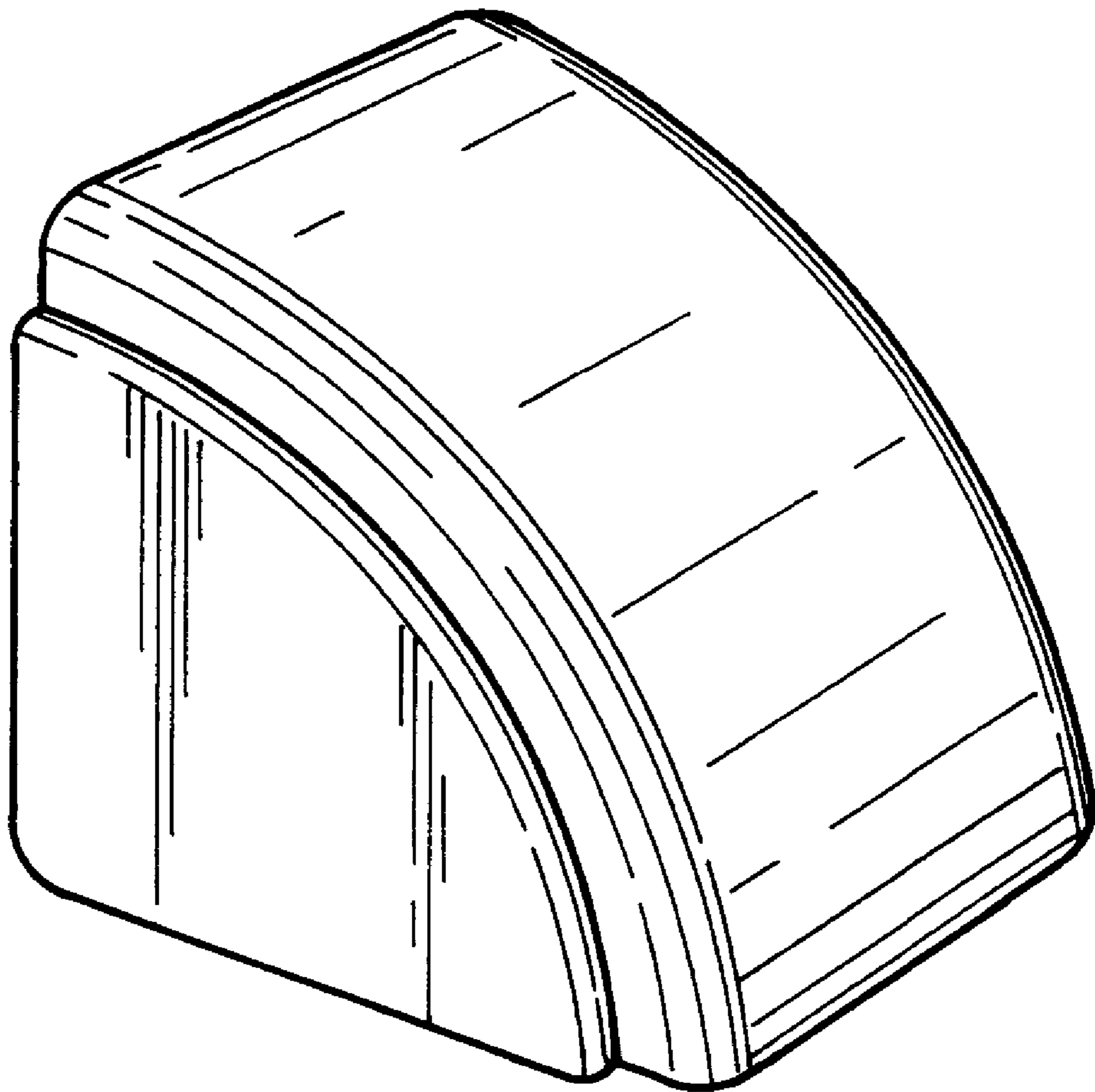


FIG. 1

FIG. 2

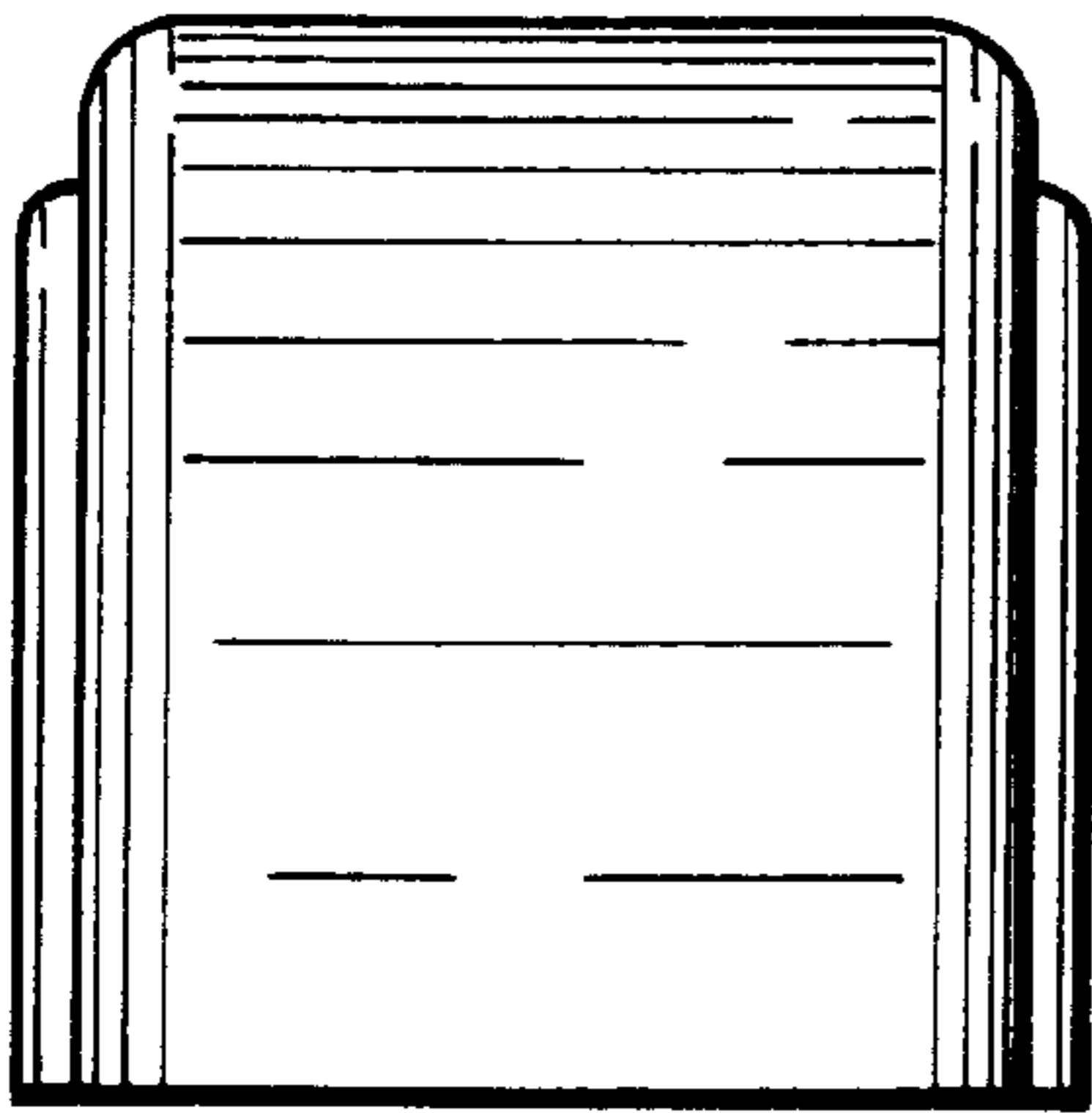


FIG. 3

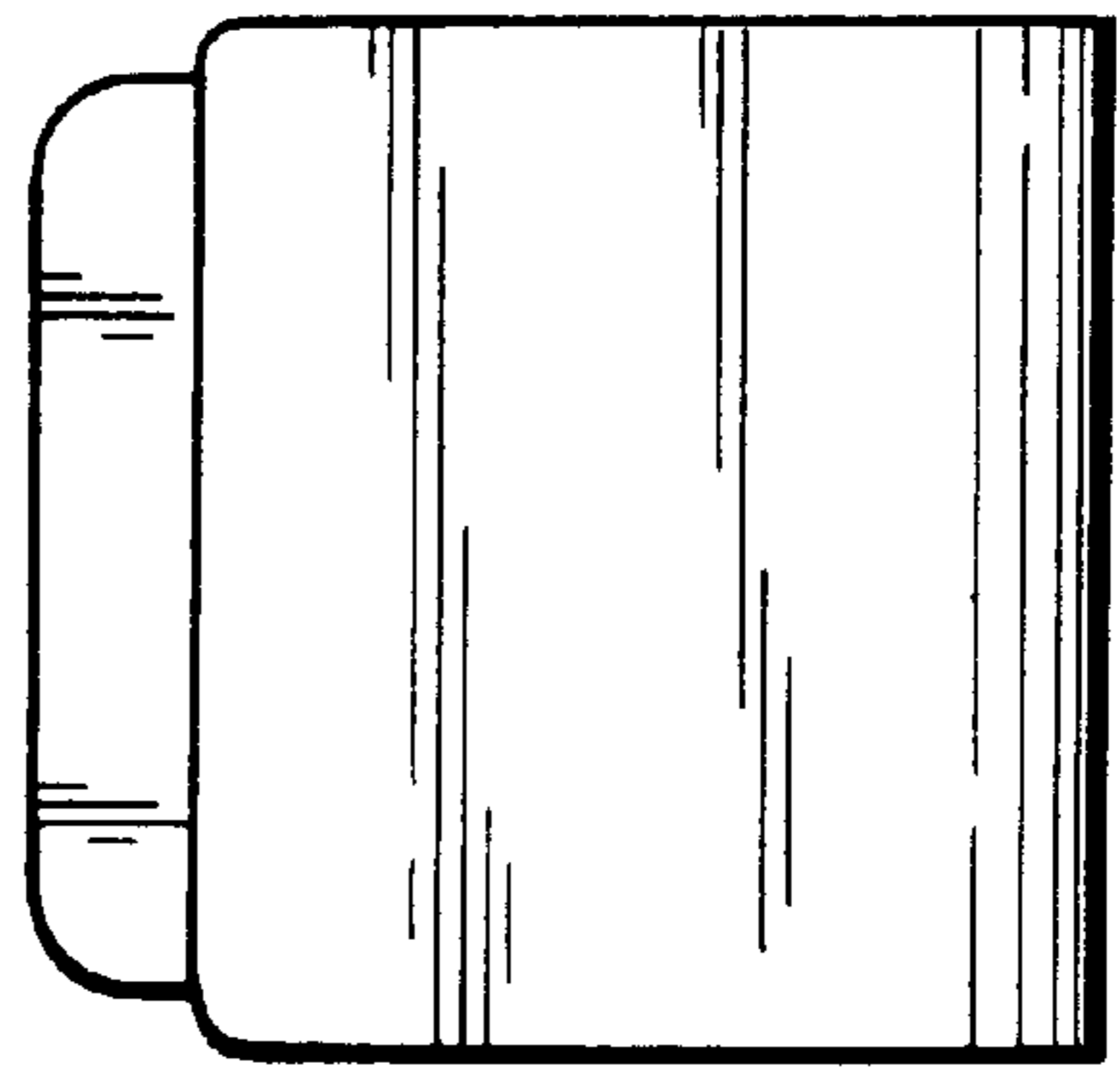
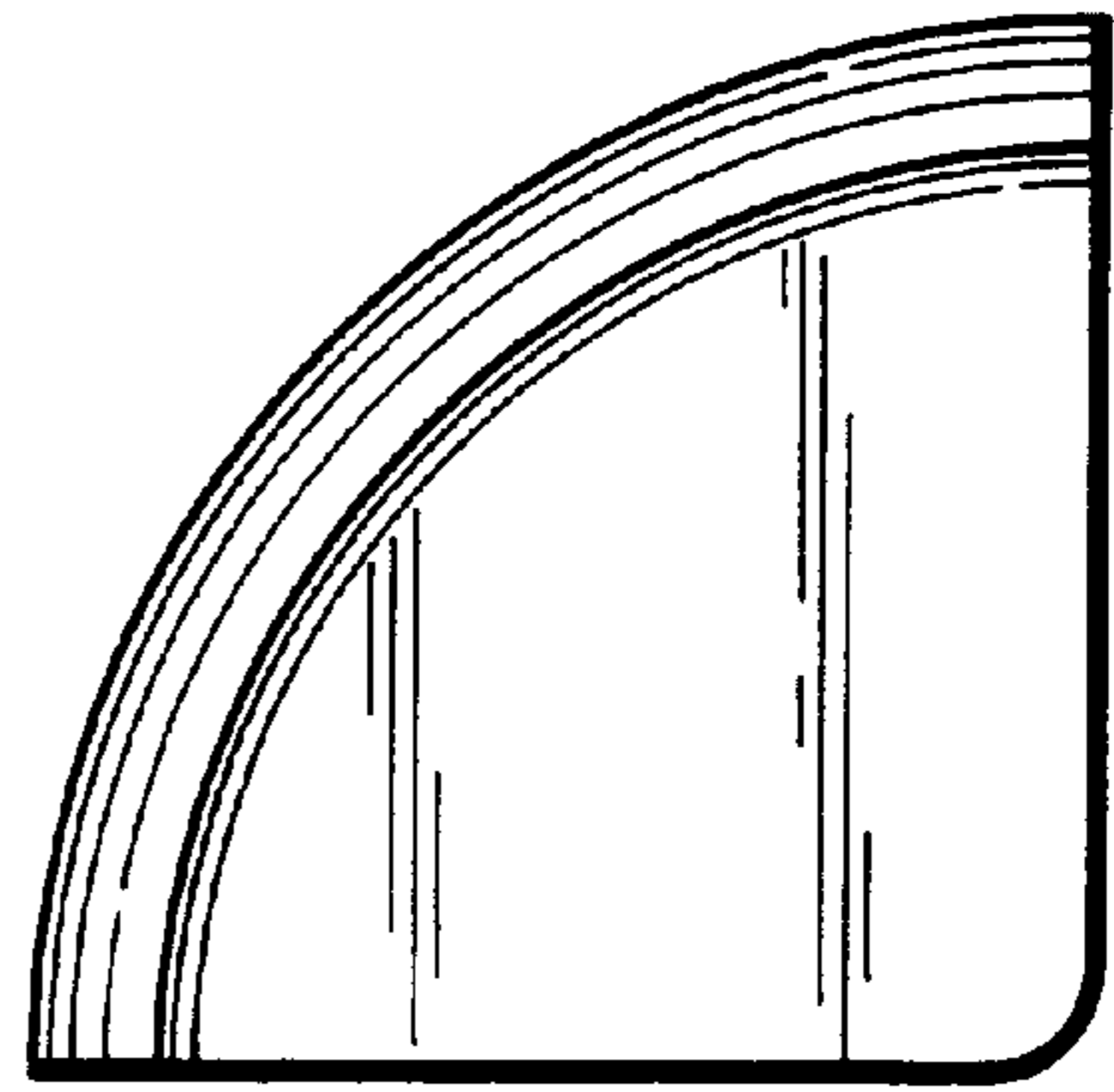


FIG. 4