



US00D435785S

(12) **United States Design Patent**
Striebel

(10) **Patent No.:** **US D435,785 S**

(45) **Date of Patent:** **** Jan. 2, 2001**

(54) **REMOVABLE RAIL WEBBING CLIP**

(75) Inventor: **Roman F. Striebel**, Duxbury, MA (US)

(73) Assignee: **Suncor Stainless, Inc.**, Pembroke, MA (US)

(**) Term: **14 Years**

(21) Appl. No.: **29/125,410**

(22) Filed: **Jun. 23, 2000**

(51) **LOC (7) Cl.** **08-05**

(52) **U.S. Cl.** **D8/367**

(58) **Field of Search** D8/367, 382; 24/265 H,
24/265 R, 599.8, 598.4, 599.1, 599.5; 294/82.19,
82.2, 82.21

(56) **References Cited**

U.S. PATENT DOCUMENTS

- D. 407,297 * 3/1999 Mihailovic D8/367
- D. 413,252 * 8/1999 Striebel D8/367
- 5,538,303 * 7/1996 Dunham 24/599.1 X

OTHER PUBLICATIONS

Catalog of Suncor Stainless, Published Jan. 1999, pp. 29, 31, 36, and 38.

* cited by examiner

Primary Examiner—Holly Baynham
(74) *Attorney, Agent, or Firm*—Perkins, Smith & Cohen; Jacob N. Erlich, Esq.; Jerry Cohen, Esq.

(57) **CLAIM**

The ornamental design for a removable rail webbing clip, as shown and described.

DESCRIPTION

FIG. 1 is a back view showing my new design of a removable rail webbing clip;

FIG. 2 is a first side view showing my new design of a removable rail webbing clip;

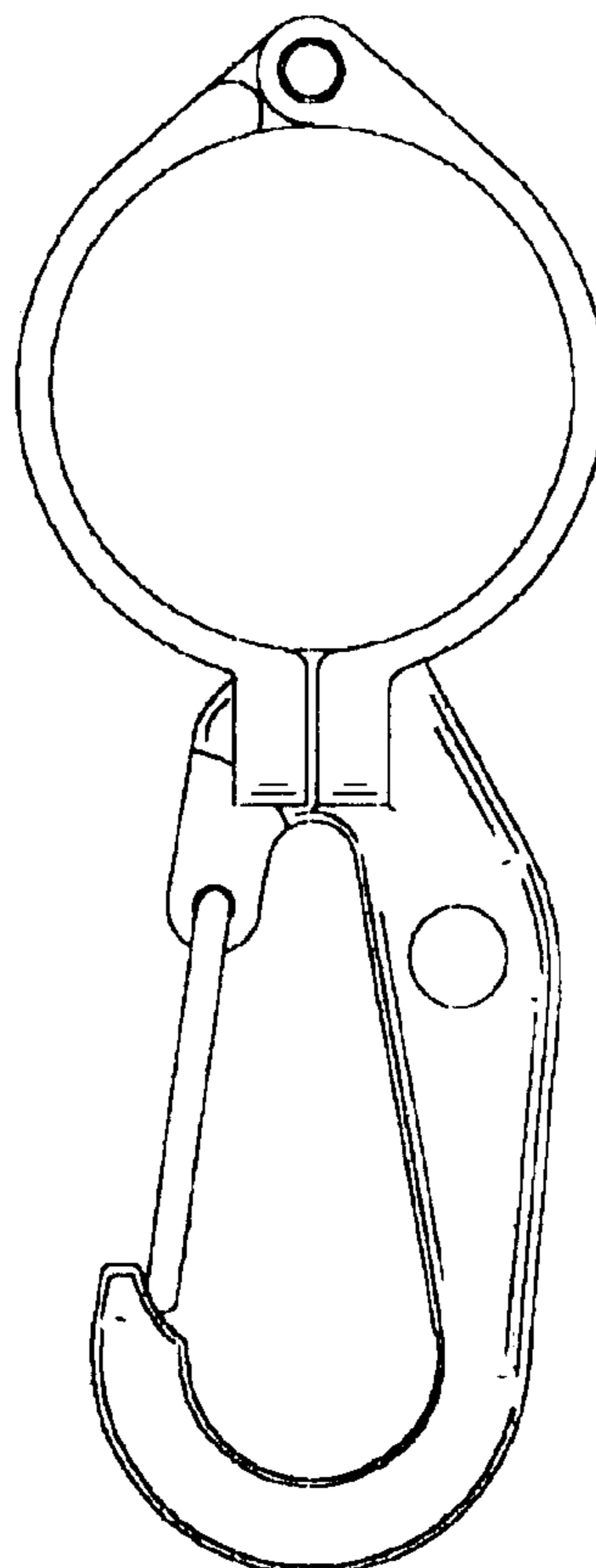
FIG. 3 is a front view of my new design of a removable rail webbing clip;

FIG. 4 is a second side view of my new design of a removable rail webbing clip taken on a side opposite the side shown in FIG. 2;

FIG. 5 is a bottom view of my new design of a removable rail webbing clip; and,

FIG. 6 is a top view of my new design of a removable rail webbing clip.

1 Claim, 1 Drawing Sheet



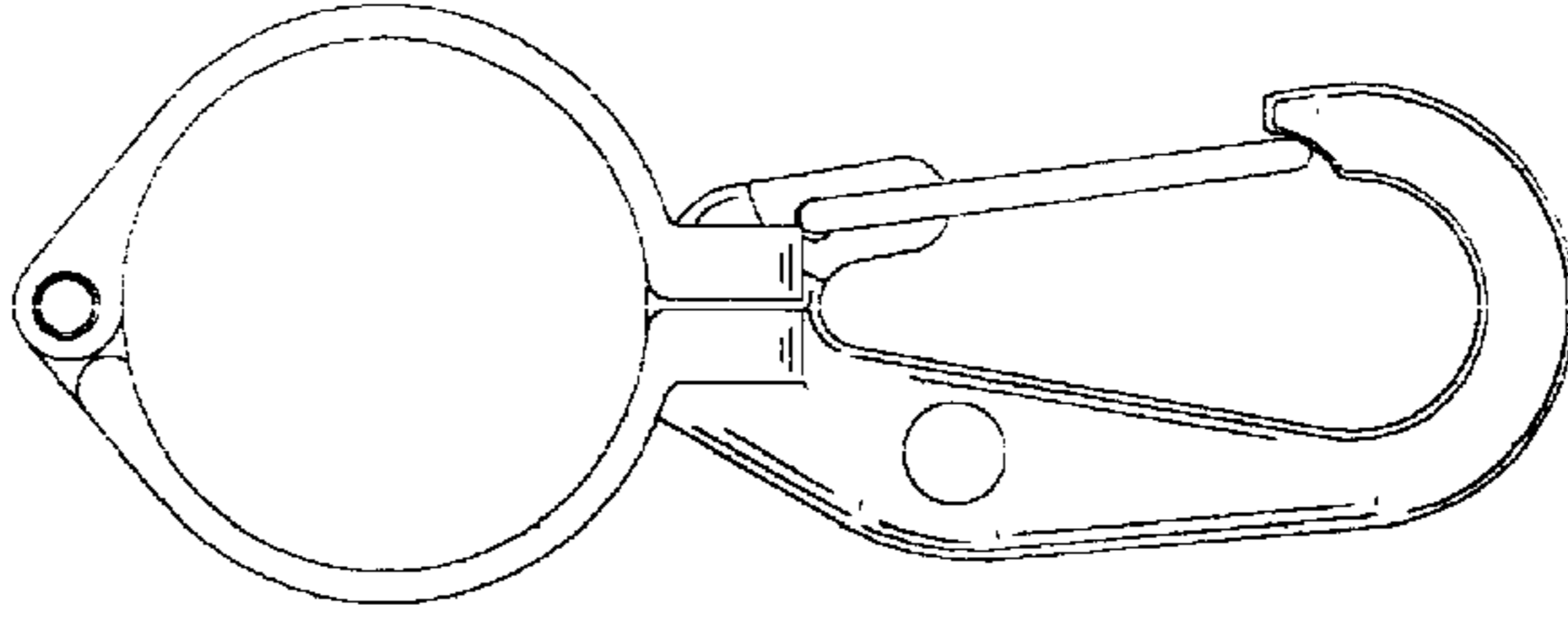


FIG. 4

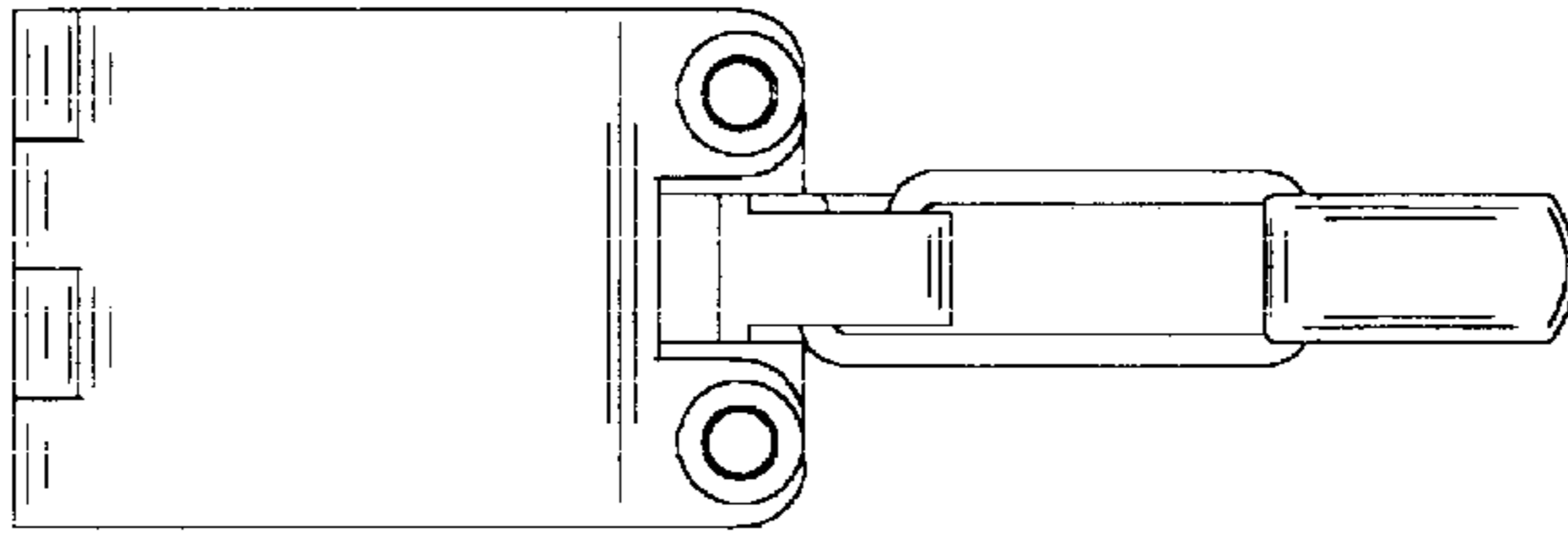


FIG. 3

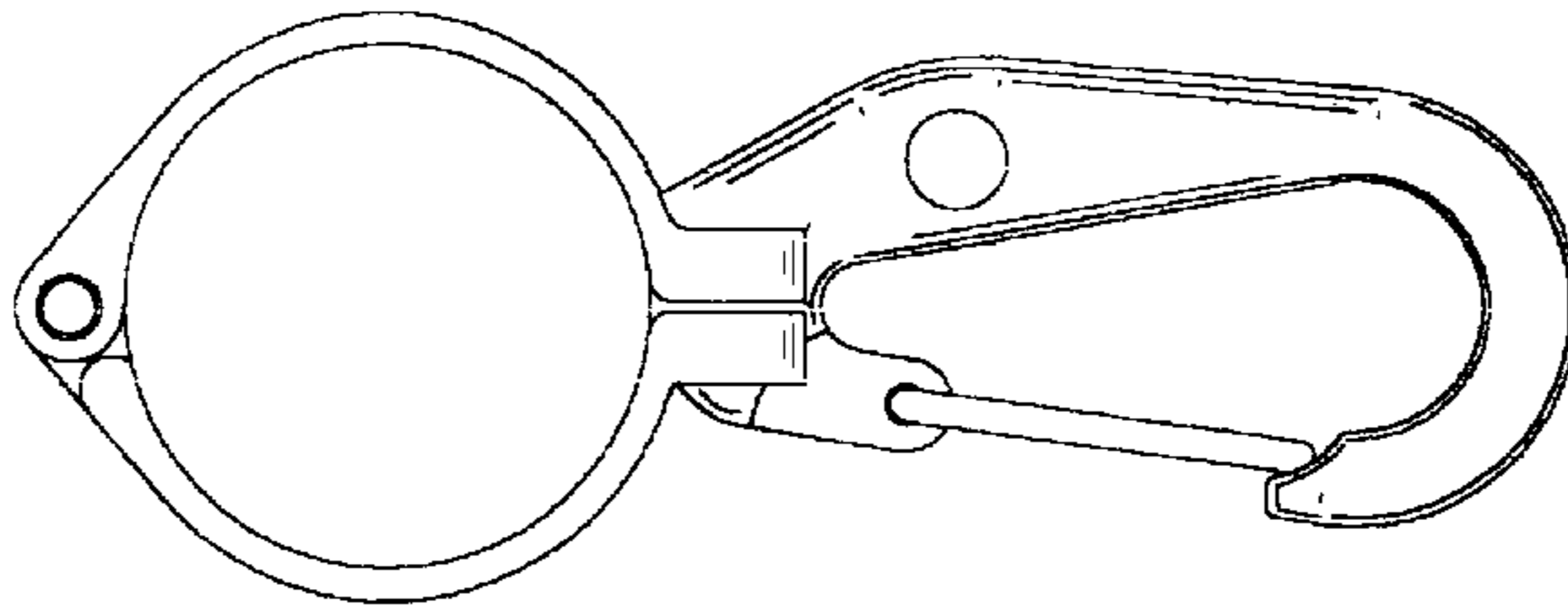


FIG. 2

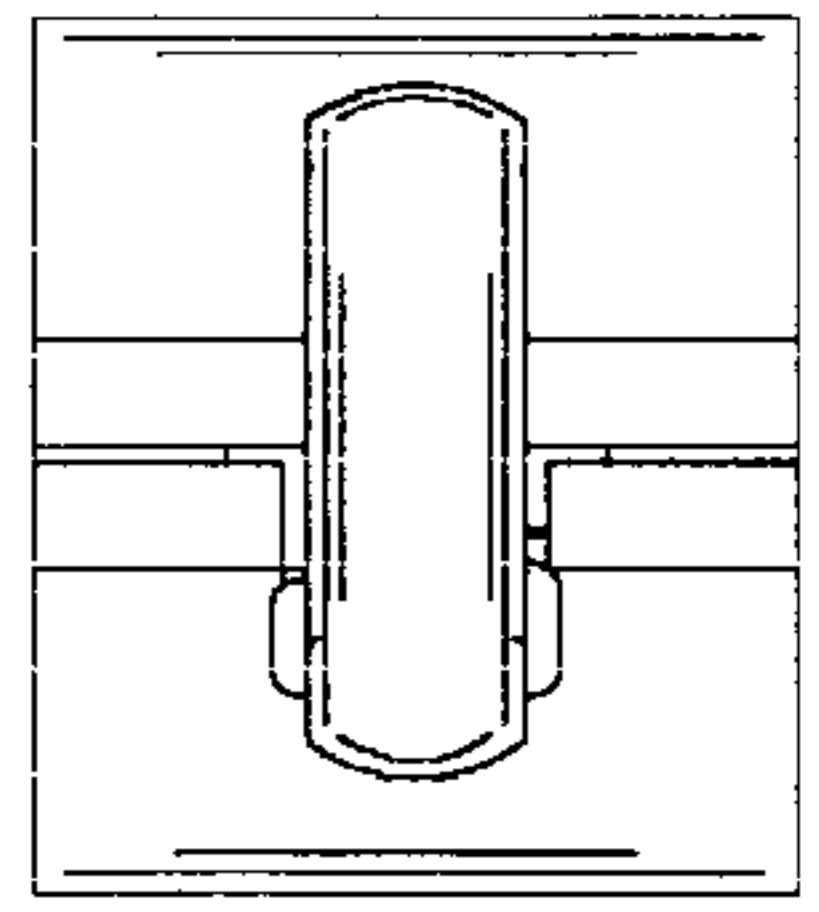


FIG. 5

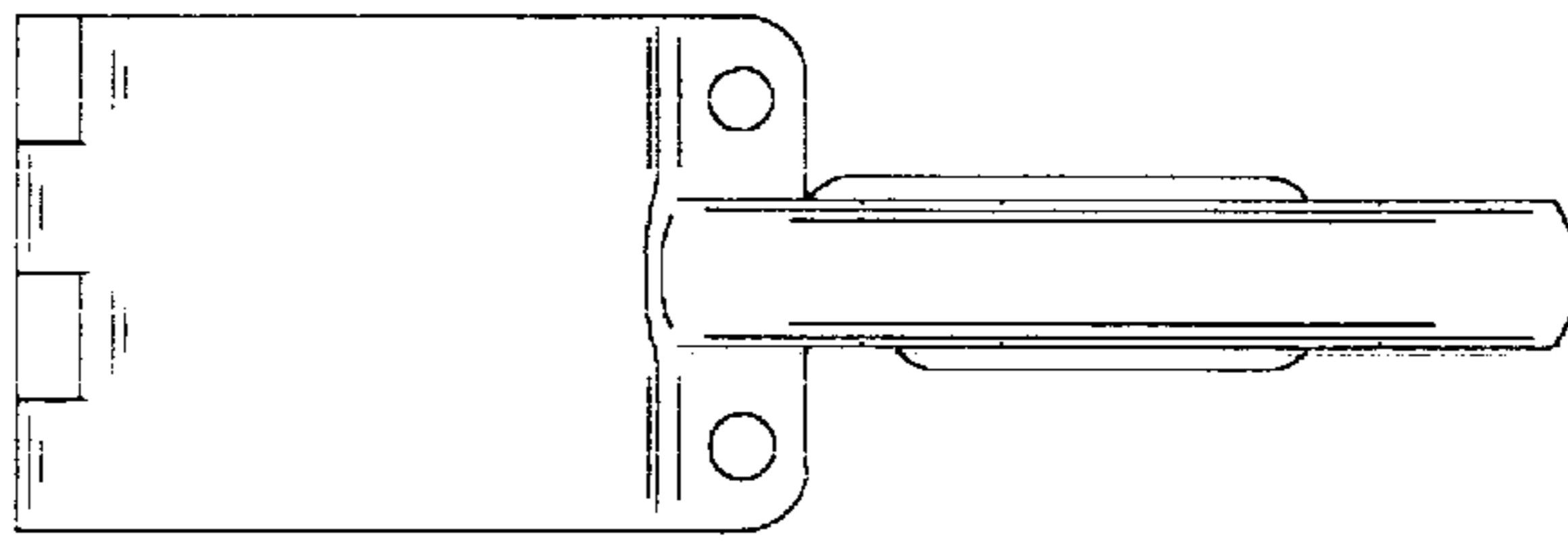


FIG. 1

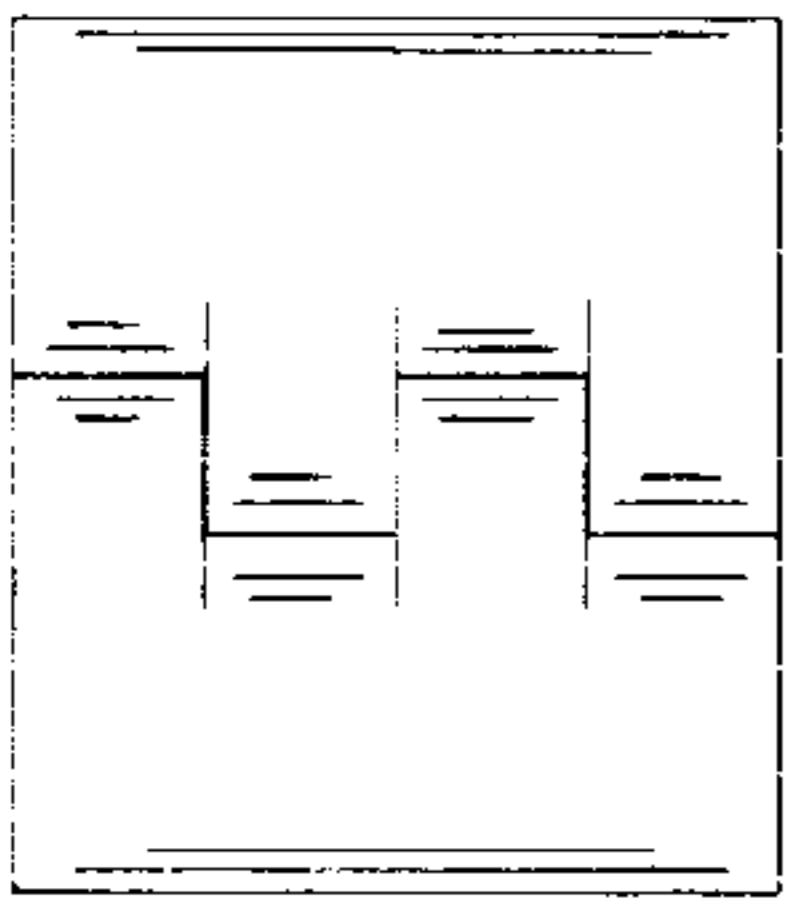


FIG. 6