



US00D435783S

(12) **United States Design Patent**  
**Kerr**

(10) **Patent No.:** **US D435,783 S**

(45) **Date of Patent:** **\*\* Jan. 2, 2001**

(54) **CURTAIN ROD SUPPORT**

(75) Inventor: **Helen Kerr**, Toronto (CA)

(73) Assignee: **Umbra U.S.A., Inc.**, Buffalo, NY (US)

(\*\*) Term: **14 Years**

(21) Appl. No.: **29/115,030**

(22) Filed: **Dec. 6, 1999**

(51) **LOC (7) Cl.** ..... **08-05**

(52) **U.S. Cl.** ..... **D8/363**

(58) **Field of Search** ..... D8/363; 248/261-262;  
160/349.1-349.2

(56) **References Cited**

**U.S. PATENT DOCUMENTS**

D. 204,057 \* 3/1966 Logan et al. .... D8/363

D. 410,377 \* 6/1999 Bredemeier ..... D8/363

\* cited by examiner

*Primary Examiner*—Holly Baynham

(74) *Attorney, Agent, or Firm*—Ostrolenk, Faber, Gerb & Soffen, LLP

(57) **CLAIM**

The ornamental design for a curtain rod support, as shown and described.

**DESCRIPTION**

FIG. 1 is a perspective view of the curtain rod wall unit for one end of a curtain rod showing the new design;

FIG. 2 is a top view;

FIG. 3 is a front view;

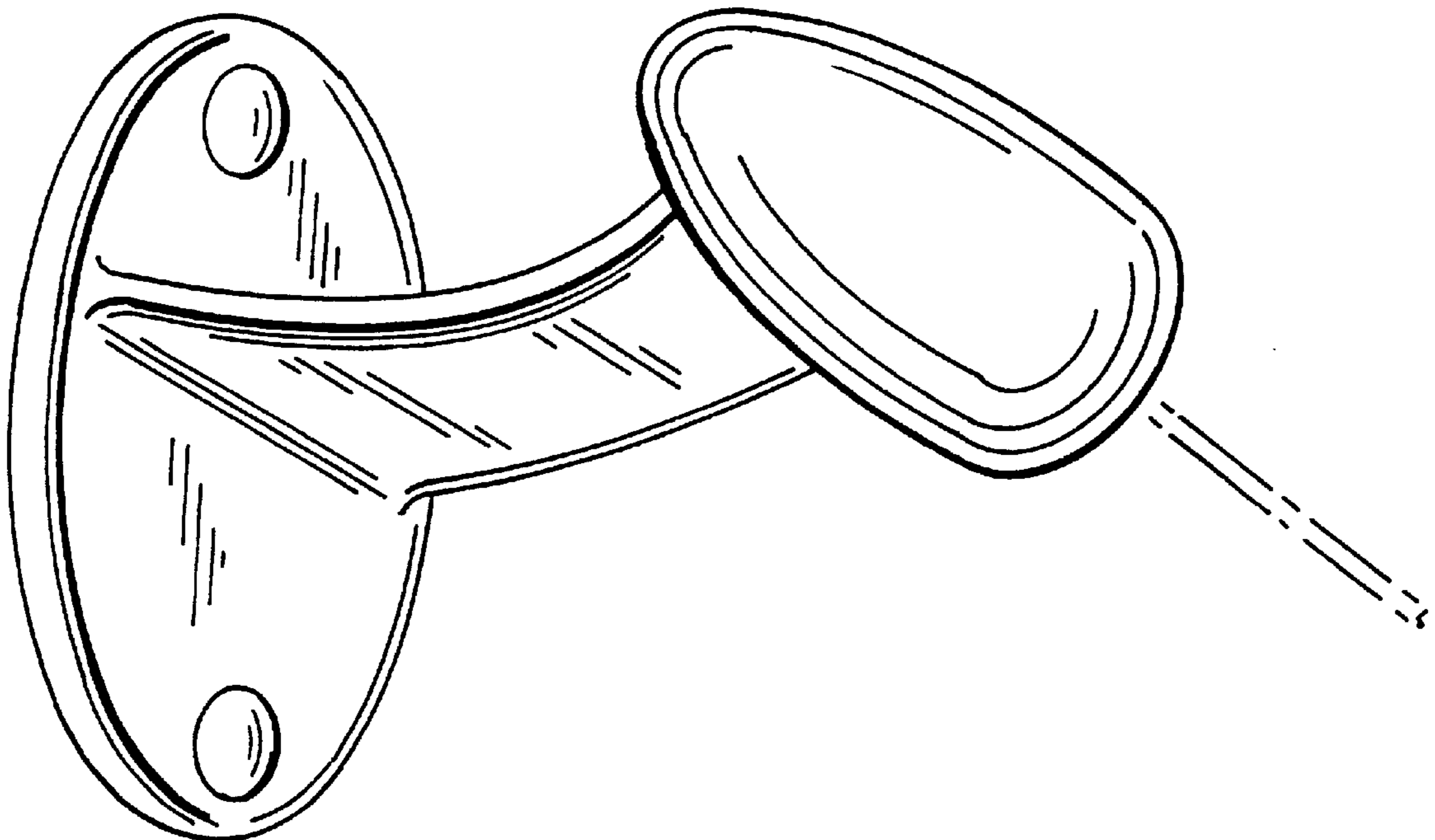
FIG. 4 is a back view;

FIG. 5 is a view from the right hand side of FIG. 1; and,

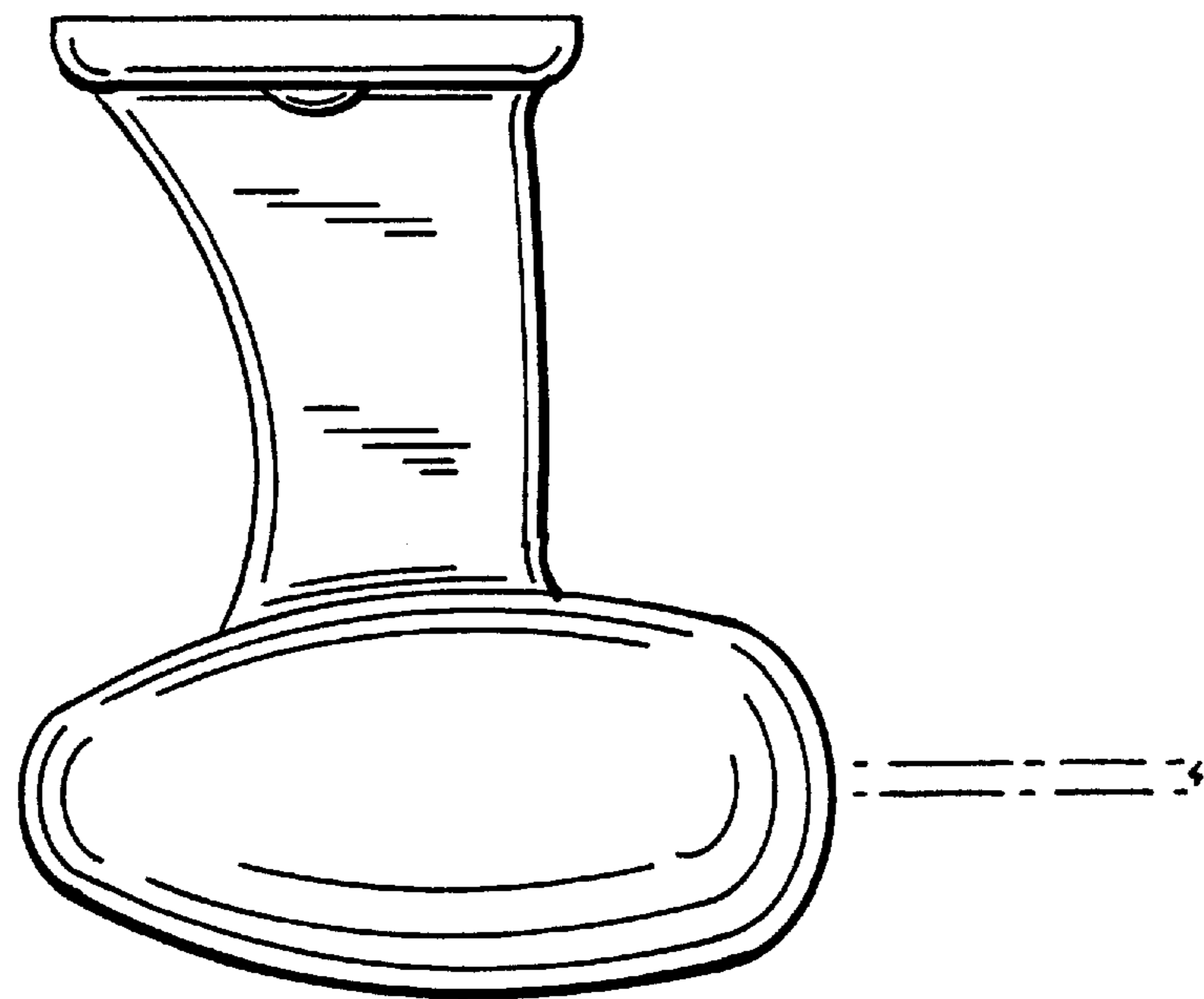
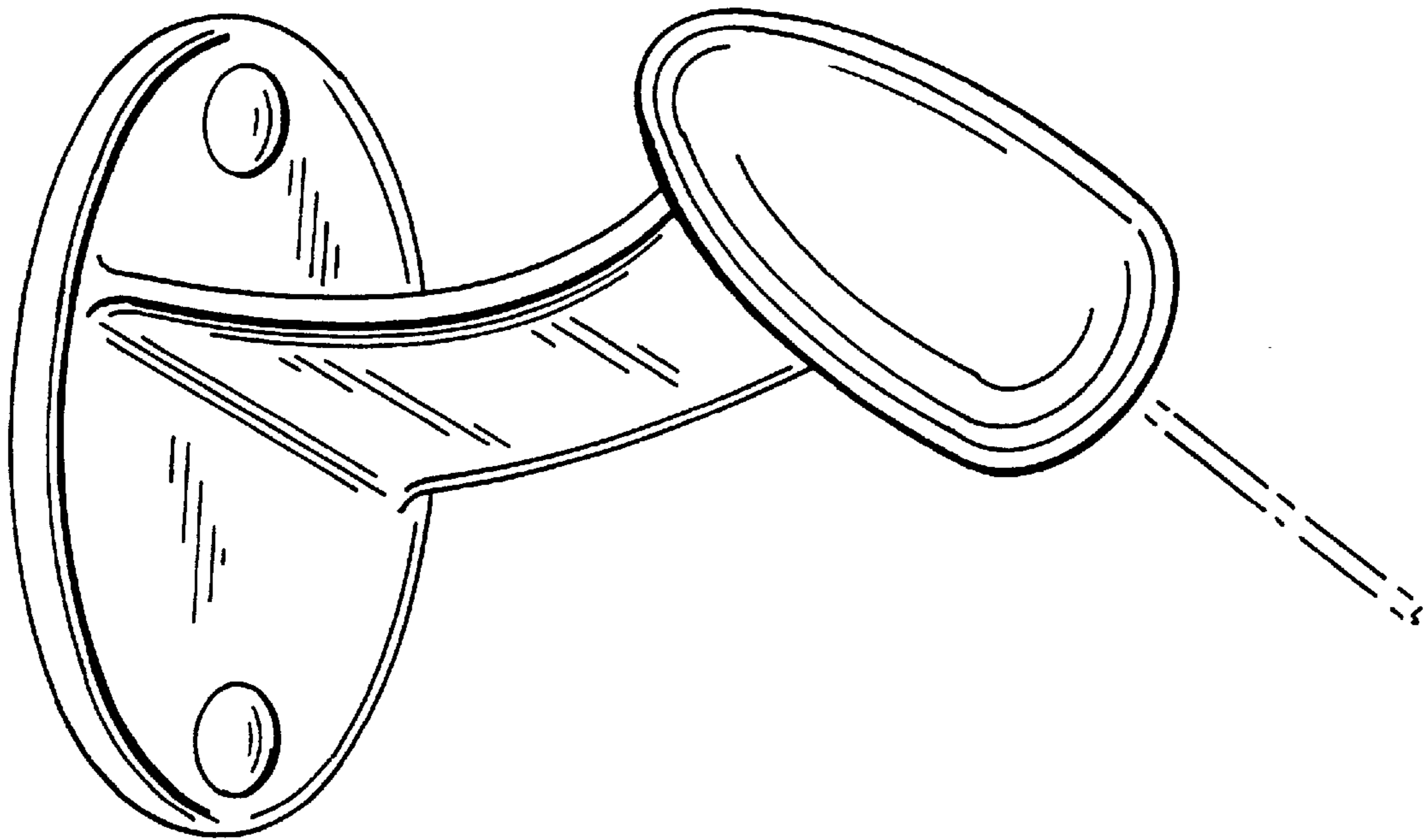
FIG. 6 is a view from the left hand side of FIG. 1.

The broken line showing of a fragmented rod is for illustrative purposes only and forms no part of the claimed design.

**1 Claim, 3 Drawing Sheets**

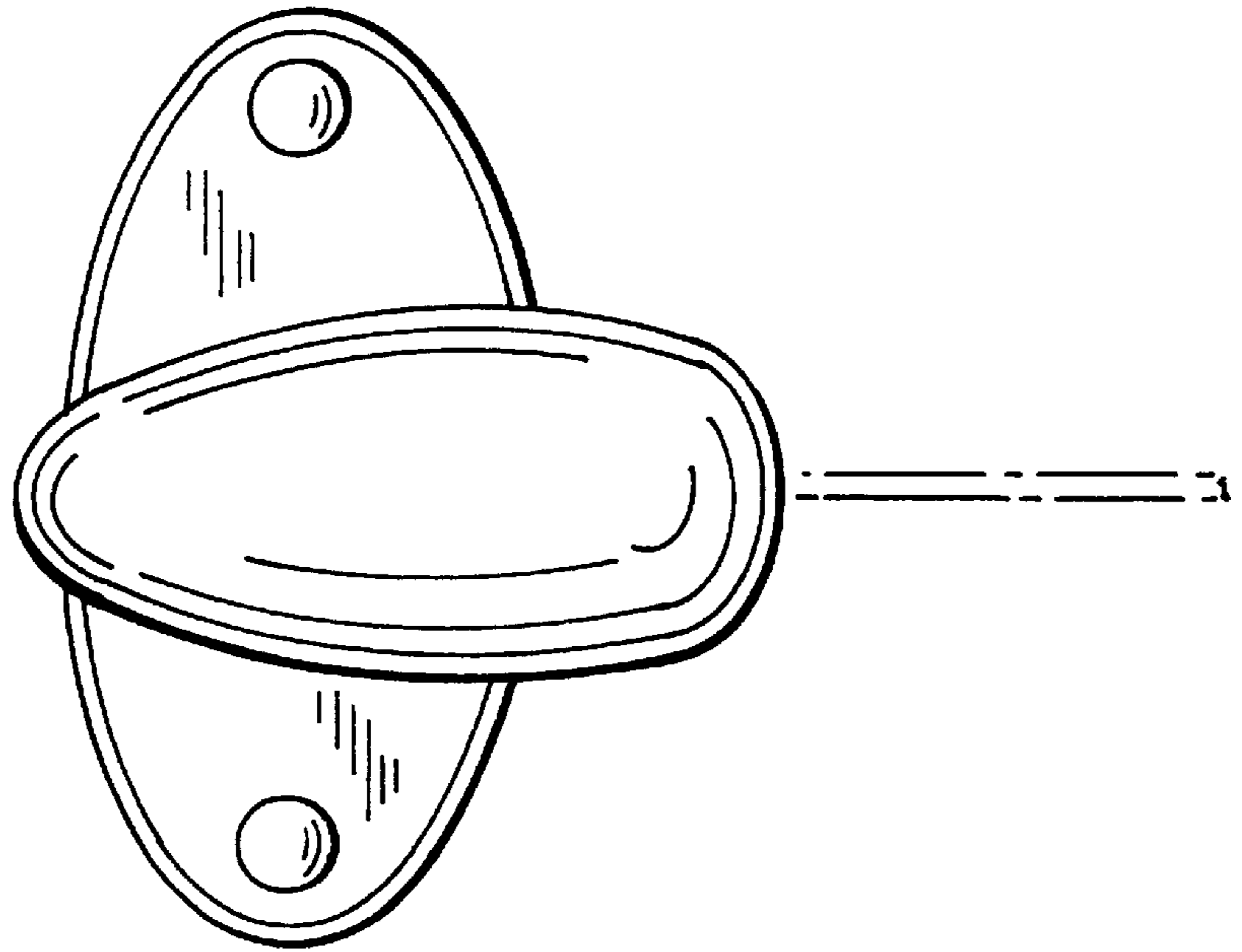


**FIG. 1**

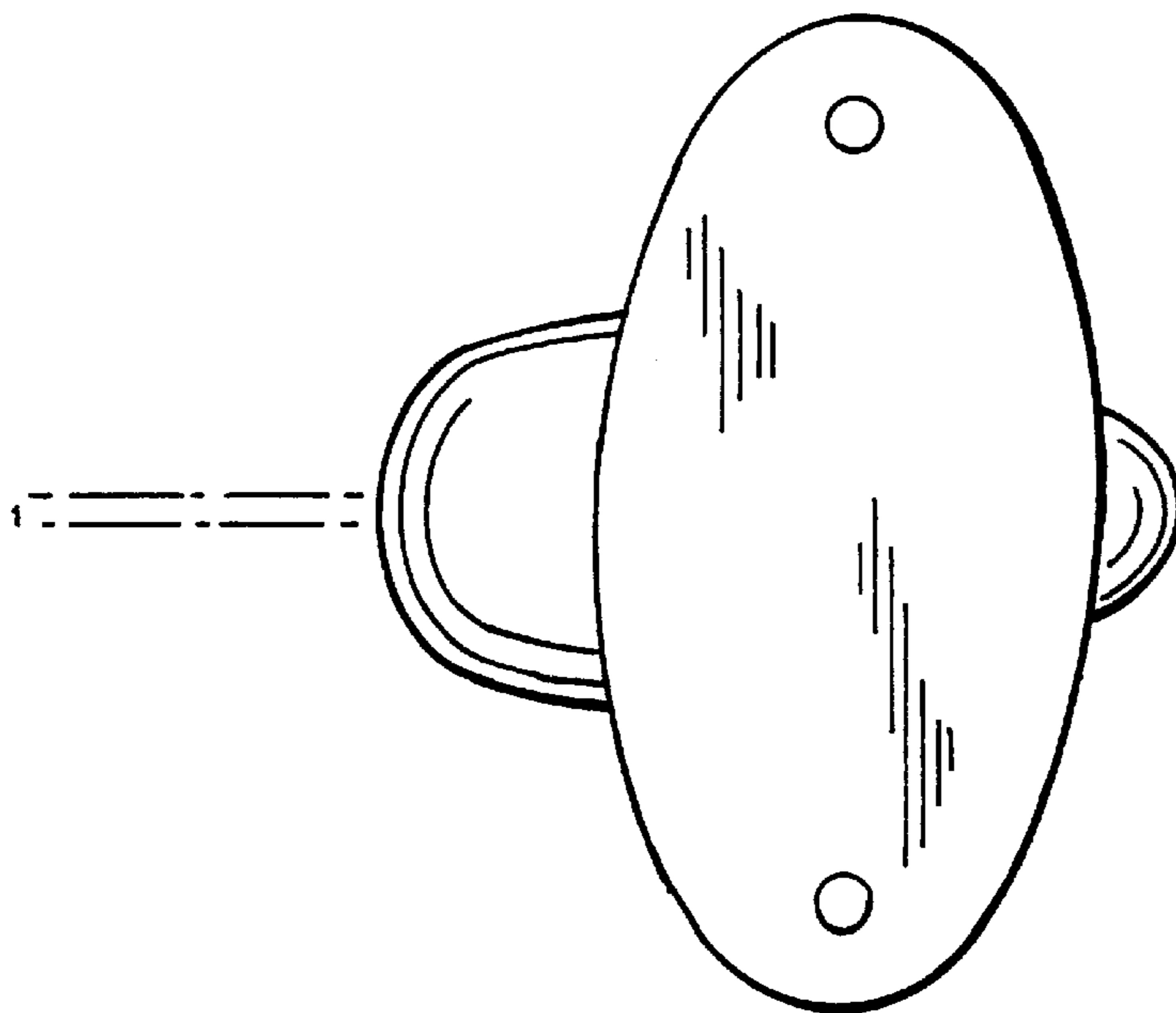


**FIG. 2**

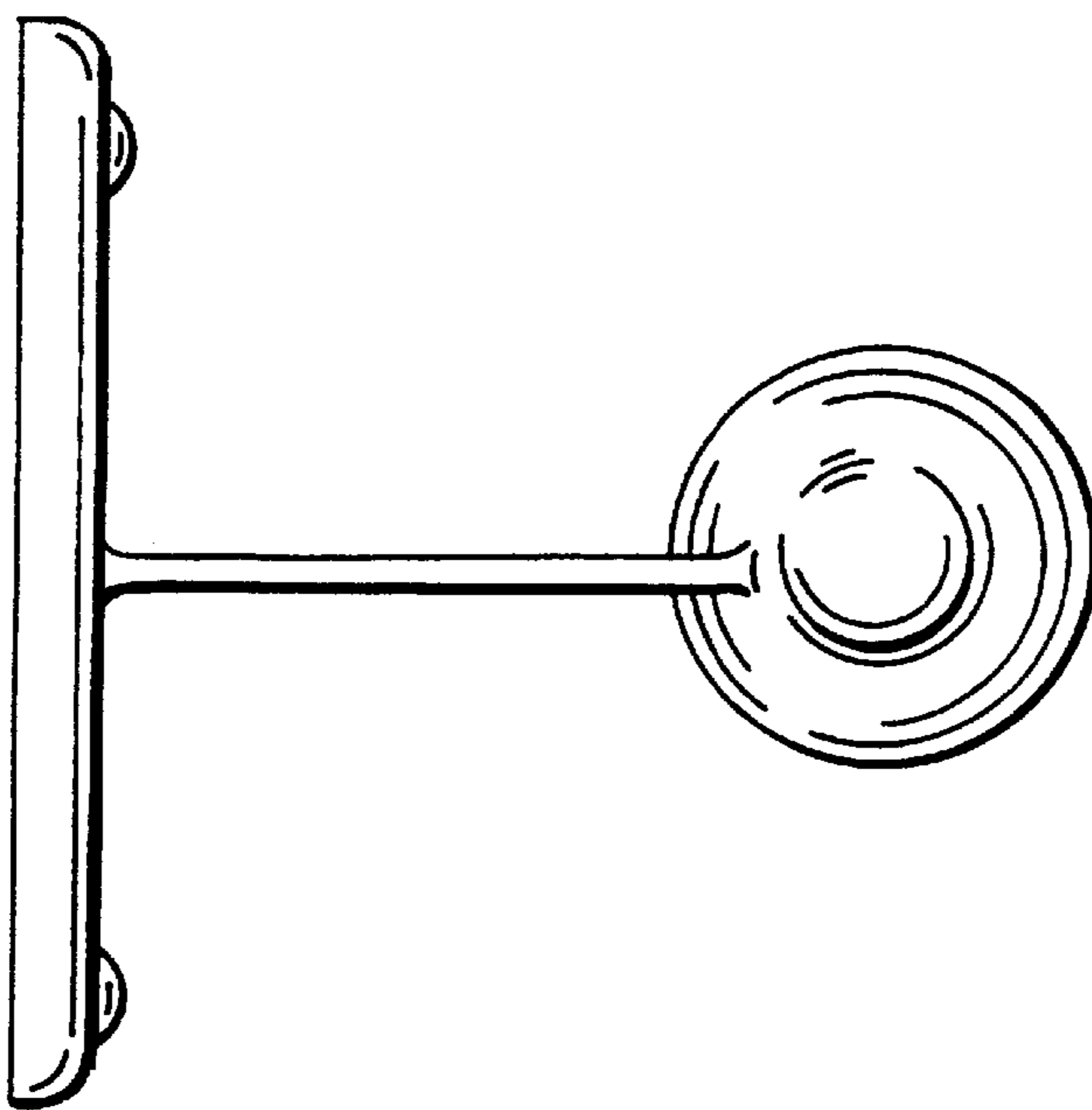
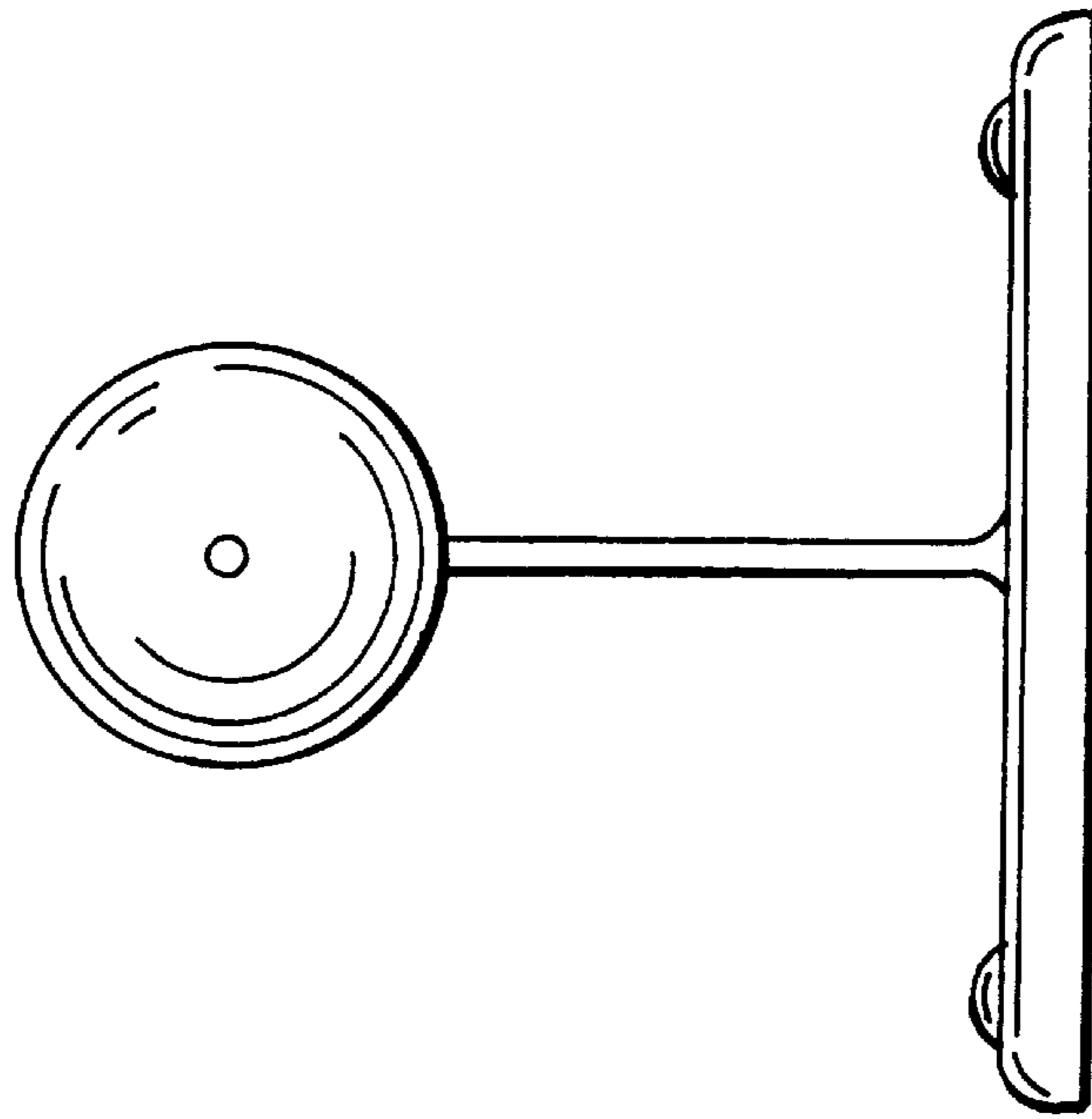
**FIG. 3**



**FIG. 4**



**FIG. 5**



**FIG. 6**