



US00D435781S

(12) **United States Design Patent**  
**Freck**

(10) **Patent No.:** **US D435,781 S**

(45) **Date of Patent:** **\*\* Jan. 2, 2001**

- (54) **LOCK**
- (75) Inventor: **Lawrence L. Freck**, Crystal Lake, IL (US)
- (73) Assignee: **Royal Lock Corporation**, Wauconda, IL (US)
- (\*\*) Term: **14 Years**
- (21) Appl. No.: **29/112,099**
- (22) Filed: **Oct. 8, 1999**
- (51) **LOC (7) Cl.** ..... **08-07**
- (52) **U.S. Cl.** ..... **D8/338**
- (58) **Field of Search** ..... D8/330, 331, 336, D8/337, 338, 341; 70/370, 373, 367, 78, DIG. 39; 292/336.3, 224, 228, 64

|             |         |               |       |          |
|-------------|---------|---------------|-------|----------|
| 4,583,775   | 4/1986  | Bisbing       | ..... | 292/64   |
| 4,637,667   | 1/1987  | Reid et al.   | ..... | 312/217  |
| 4,715,201   | 12/1987 | Craig         | ..... | 70/369   |
| 4,732,434   | 3/1988  | Hartrum       | ..... | 312/221  |
| 4,815,304   | 3/1989  | Kesselman     | ..... | 70/34    |
| 4,829,887   | 5/1989  | Holschbach    | ..... | 98/115.3 |
| 4,843,852 * | 7/1989  | Foshee et al. | ..... | 70/367   |
| 4,865,248   | 9/1989  | Barth         | ..... | 232/24   |
| 5,038,589   | 8/1991  | Martin        | ..... | 70/368   |
| 5,044,183 * | 9/1991  | Neyret        | ..... | 70/370   |
| 5,199,282   | 4/1993  | Wang          | ..... | 70/38 A  |
| 5,199,285   | 4/1993  | Lin           | ..... | 70/220   |
| 5,234,236   | 8/1993  | Gromotka      | ..... | 292/194  |

(List continued on next page.)

**FOREIGN PATENT DOCUMENTS**

2120311 5/1982 (GB) .

**OTHER PUBLICATIONS**

Knob Style Single Hole Mount, Southco Latches Catalog 48NA, p. E-4.\*  
Mortise Cylinder turn lever Series 124, Sargent Cylinders & Components, p. 2.\*

*Primary Examiner*—Alan P. Douglas  
*Assistant Examiner*—Jennifer Rivard  
(74) *Attorney, Agent, or Firm*—Michael Best & Friedrich

- (56) **References Cited**
- U.S. PATENT DOCUMENTS**
- D. 352,887 11/1994 Schlack ..... D8/343
- 1,968,555 7/1934 Horne ..... 70/46
- 2,580,882 1/1952 Blohm ..... 70/340
- 3,303,678 2/1967 Bernard et al. .... 70/373
- 3,336,774 8/1967 Gray et al. .... 70/367
- 3,367,155 2/1968 Kobrehel ..... 70/366
- 3,454,320 7/1969 Olree .
- 3,477,775 11/1969 Trent .
- 3,600,914 8/1971 Johnson et al. .
- 3,705,508 12/1972 Fritsch et al. .... 70/373
- 3,741,619 6/1973 Dyer et al. .
- 3,774,985 11/1973 Chovanec et al. .... 312/217
- 3,863,476 2/1975 Patriquin ..... 70/419
- 3,952,565 4/1976 Falk ..... 70/417
- 4,006,616 2/1977 Rubner et al. .... 70/455
- 4,047,407 9/1977 Aranzabal ..... 70/52
- 4,099,398 7/1978 Lipschutz ..... 70/406
- 4,239,309 12/1980 De Fouw et al. .... 312/221
- 4,290,279 9/1981 Fish et al. .... 70/38 A
- 4,385,551 5/1983 Zboralski ..... 98/115 LH
- 4,425,770 1/1984 Mentani et al. .... 70/252
- 4,452,498 6/1984 Wood, Jr. et al. .... 312/216

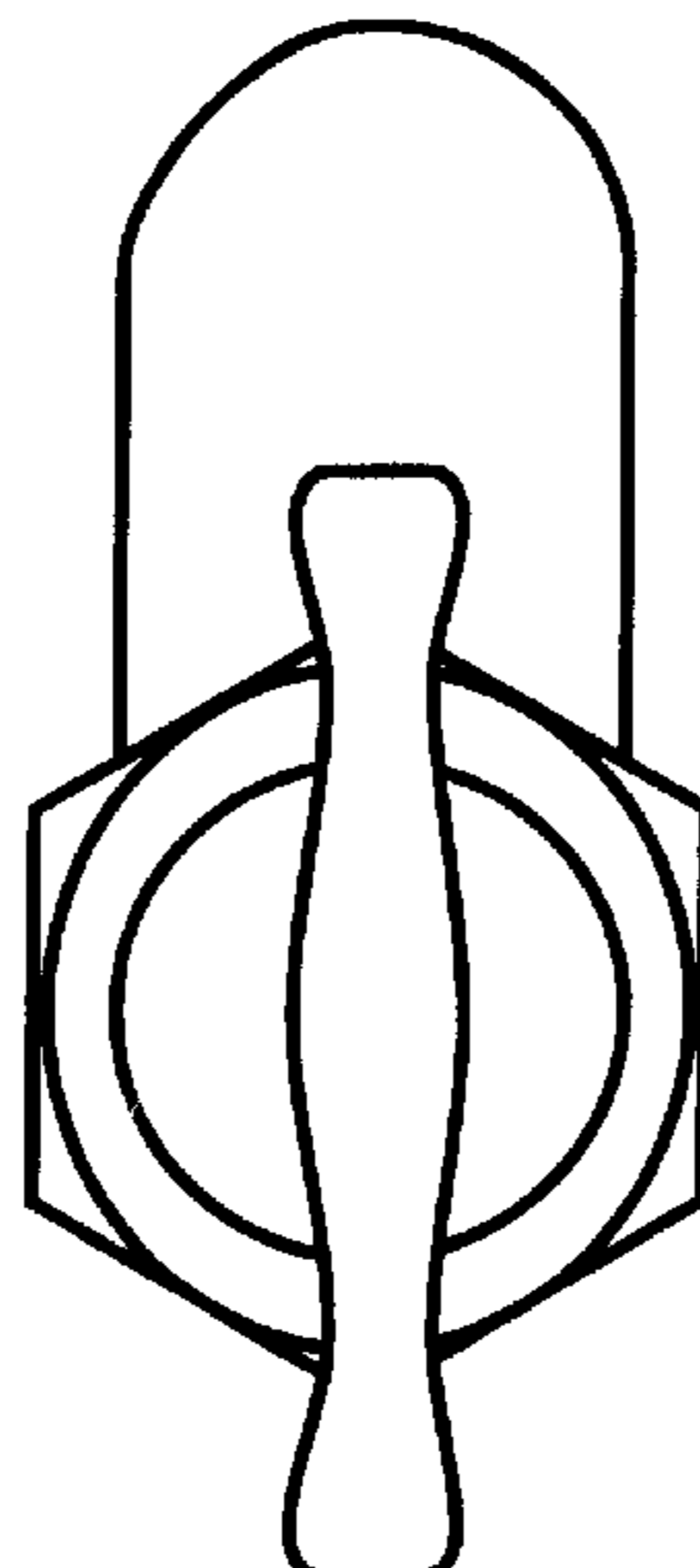
(57) **CLAIM**

I claim the ornamental design for the lock, as shown and described.

**DESCRIPTION**

FIG. 1 is a front elevation view of the lock of the present invention.  
FIG. 2 is a top plan view of the lock of the present invention.  
FIG. 3 is a side view of the lock of the present invention; the opposite side view is a mirror image thereof; and,  
FIG. 4 is a rear elevation view of the lock of the present invention.

**1 Claim, 4 Drawing Sheets**



# US D435,781 S

Page 2

---

## U.S. PATENT DOCUMENTS

|           |          |                           |        |           |           |                     |          |
|-----------|----------|---------------------------|--------|-----------|-----------|---------------------|----------|
| 5,235,832 | 8/1993   | Lux et al. ....           | 70/368 | 5,586,459 | * 12/1996 | Bullock et al. .... | 70/224   |
| 5,249,443 | 10/1993  | Anderson ....             | 70/370 | 5,626,041 | 5/1997    | Zaccaria ....       | 70/370   |
| 5,251,467 | 10/1993  | Anderson ....             | 70/370 | 5,634,359 | 6/1997    | Huebschen ....      | 70/379 R |
| 5,265,455 | 11/1993  | Grimmer ....              | 70/492 | 5,678,437 | 10/1997   | Walla ....          | 70/370   |
| 5,291,767 | * 3/1994 | Weindorf, Jr. et al. .... | 70/370 | 5,678,438 | 10/1997   | Kolkman et al. .... | 70/370   |
| 5,491,993 | 2/1996   | Anderson ....             | 70/367 | 5,724,840 | 3/1998    | DiVito ....         | 70/371   |

\* cited by examiner

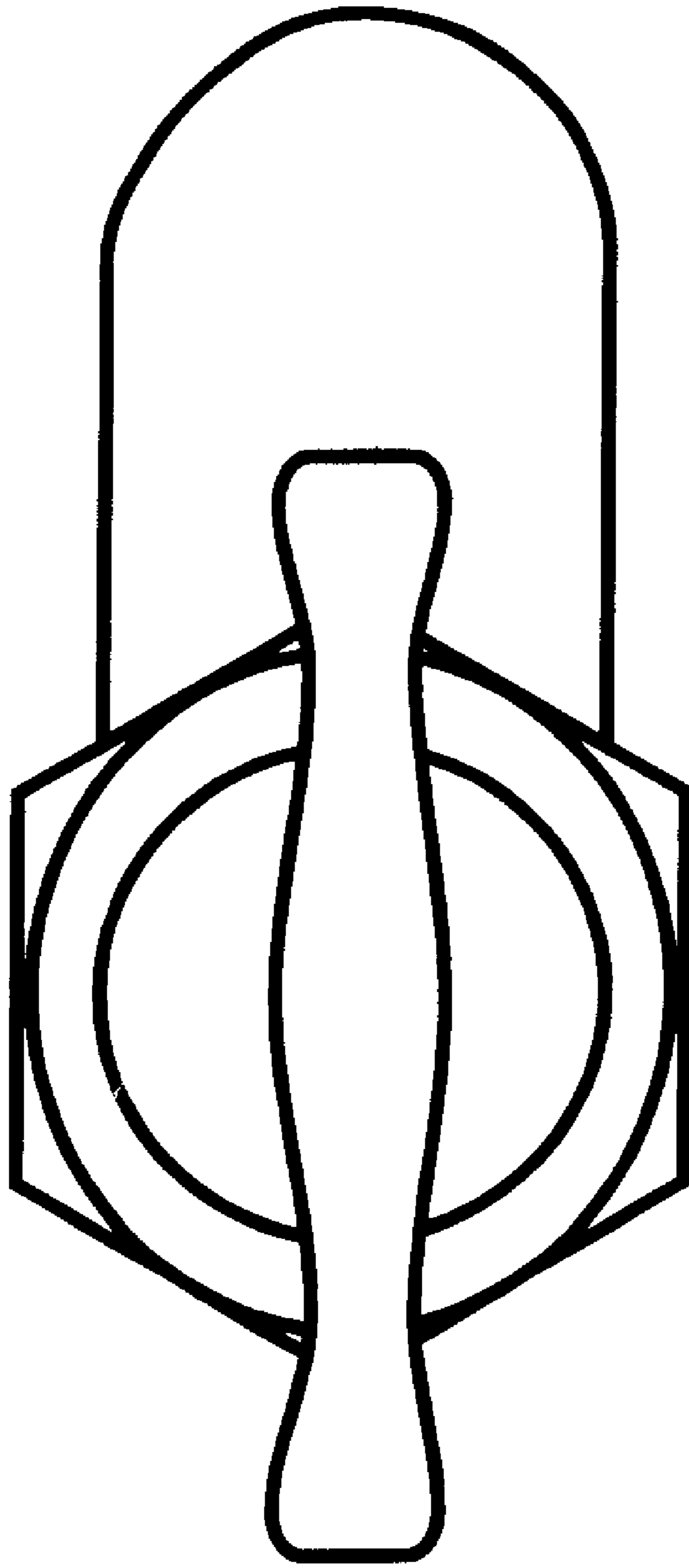


Fig. 1

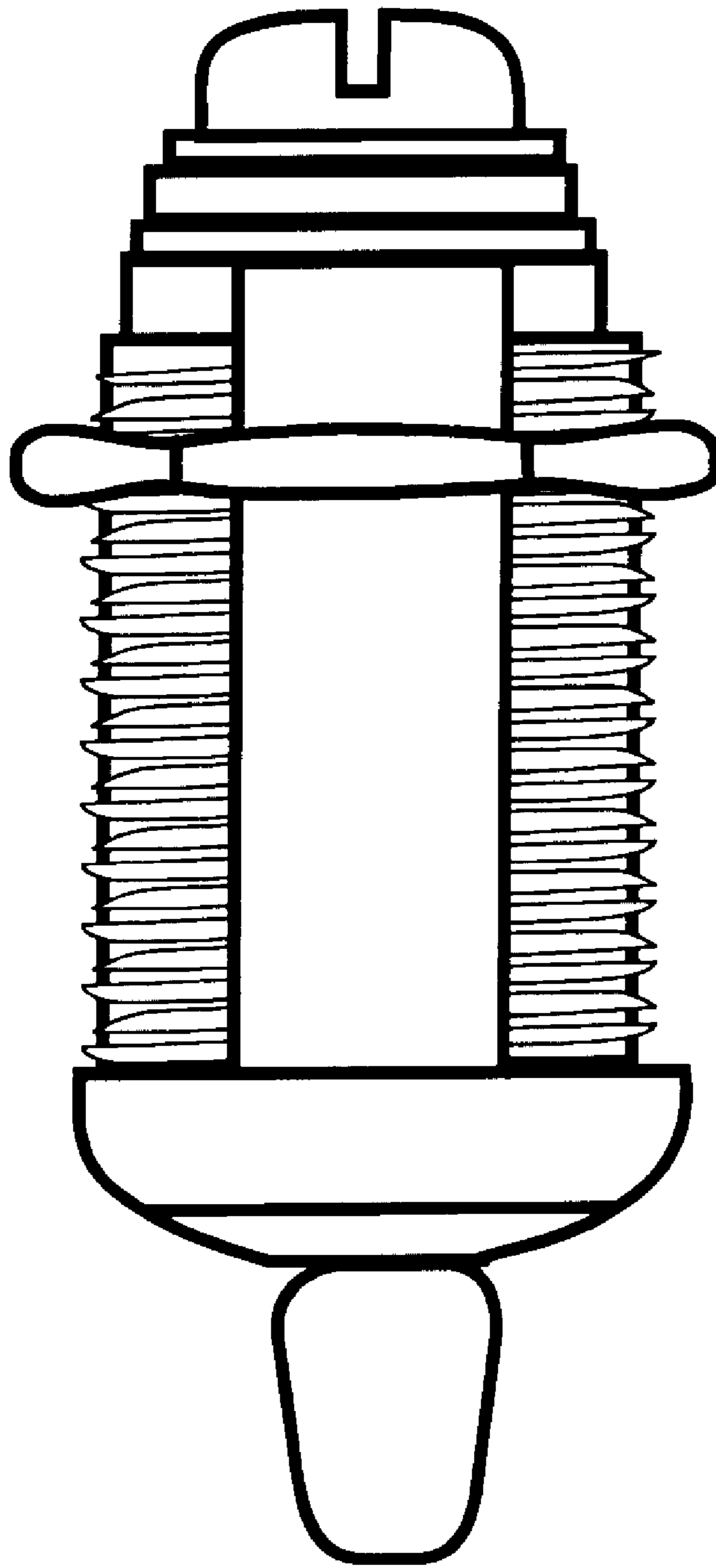


Fig. 2

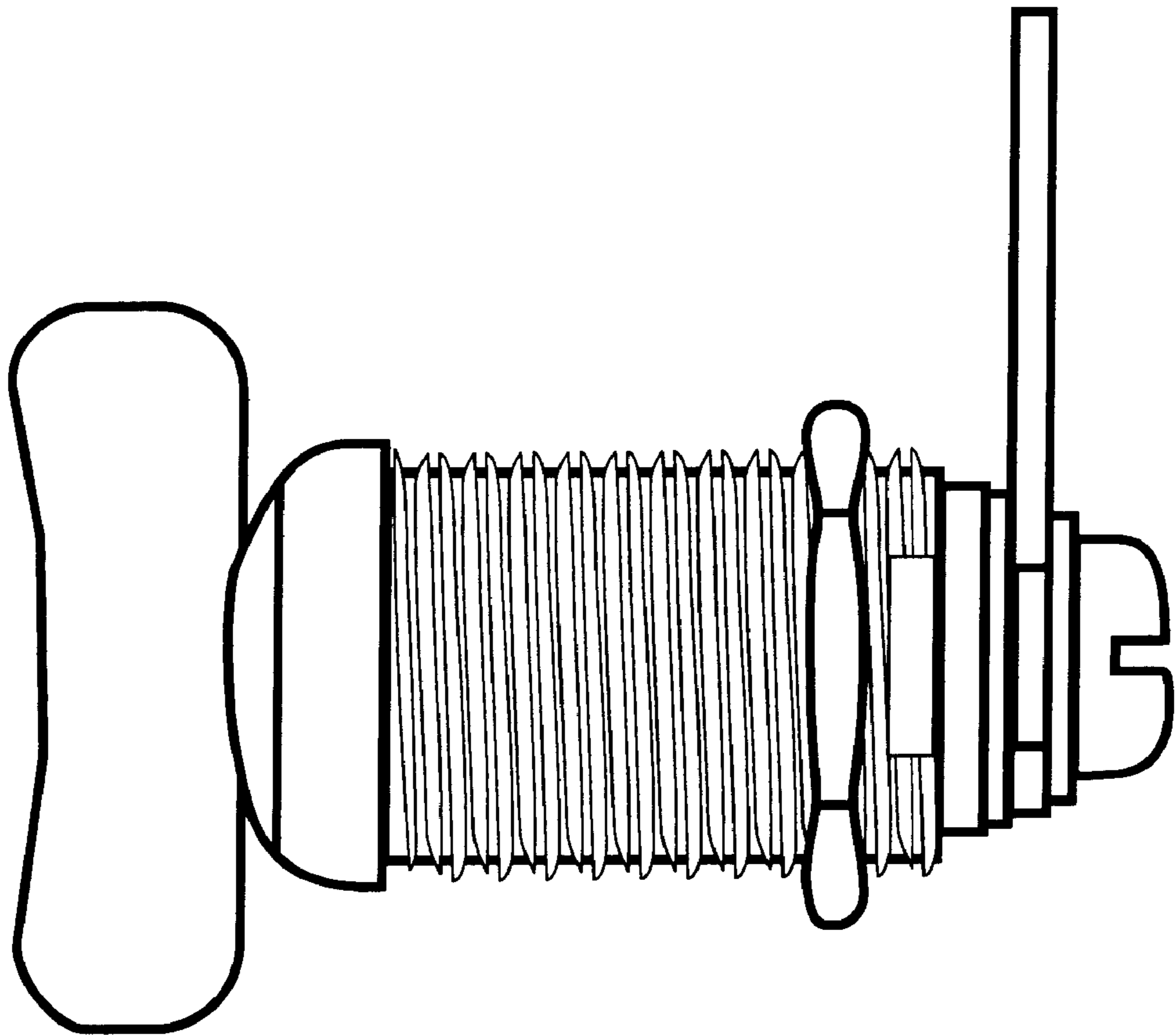


Fig. 3

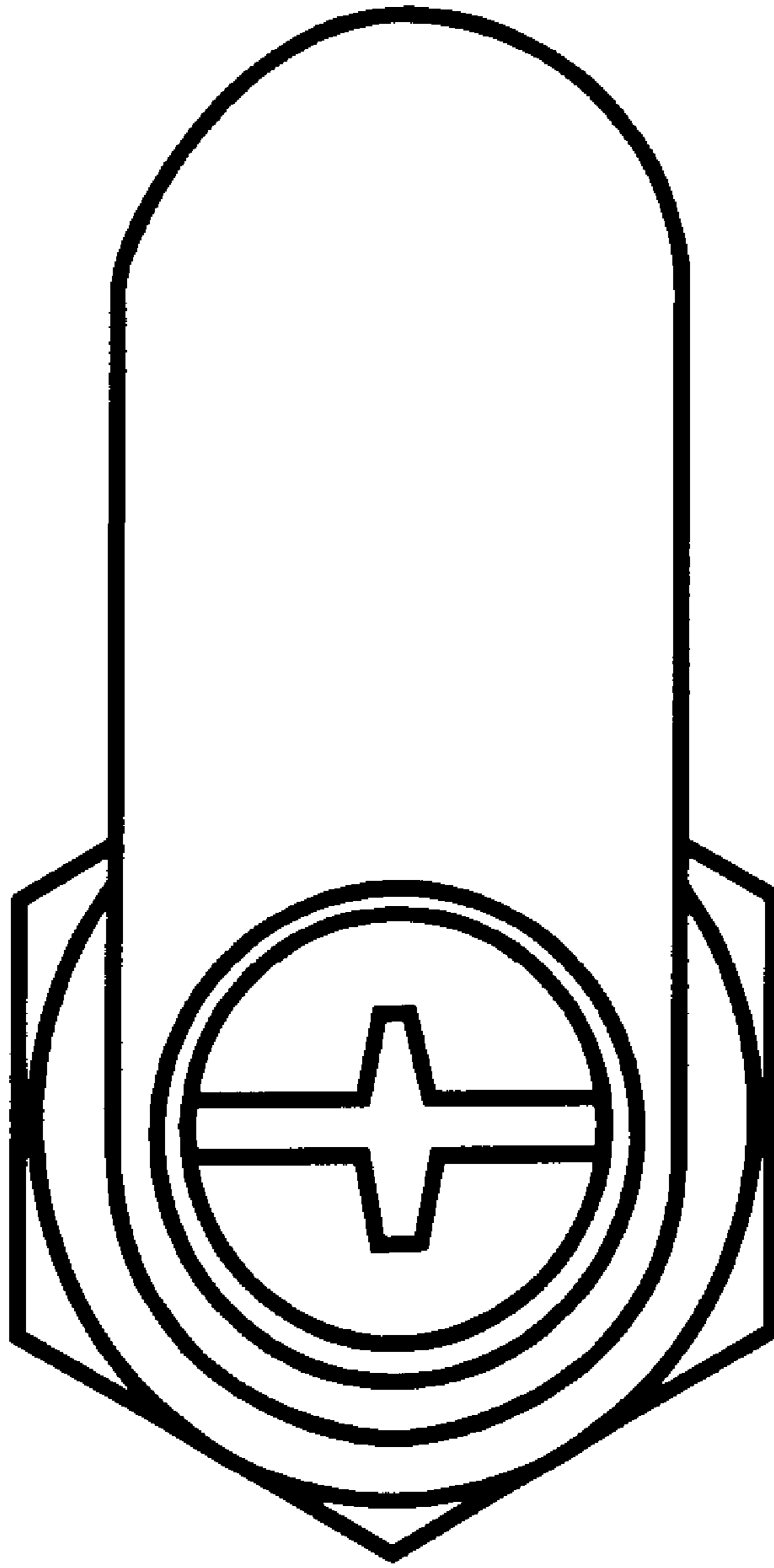


Fig. 4