



US00D435771S

(12) **United States Design Patent**
Miller

(10) **Patent No.:** **US D435,771 S**

(45) **Date of Patent:** **** Jan. 2, 2001**

(54) **CLAMP**

(75) **Inventor:** **Timothy J. Miller**, Ligonier, IN (US)

(73) **Assignee:** **Universal Consolidated Methods, Inc.**,
Topeka, IN (US)

(**) **Term:** **14 Years**

(21) **Appl. No.:** **29/118,424**

(22) **Filed:** **Feb. 4, 2000**

(51) **LOC (7) Cl.** **08-05**

(52) **U.S. Cl.** **D8/73; D8/72**

(58) **Field of Search** D8/71, 72, 73,
D8/74, 394, 396, 397; 269/143, 239, 249,
252; 403/373, 256, 257, 231.71; 248/229.15,
229.25, 228.6

(56) **References Cited**

U.S. PATENT DOCUMENTS

- D. 239,364 * 3/1976 Mooney D8/396
- D. 267,625 * 1/1983 Dark D8/72
- D. 271,939 * 12/1983 Little D8/73

- D. 358,798 * 5/1995 Miller D8/72
- D. 364,792 * 12/1995 Yoder et al. D8/72
- D. 375,440 * 11/1996 Yoder et al. D8/73
- D. 378,343 * 3/1997 Macor D8/73
- 4,074,899 * 2/1978 Hochstetler 269/249

* cited by examiner

Primary Examiner—Philip S. Hyder

(74) *Attorney, Agent, or Firm*—Taylor & Aust, P.C.

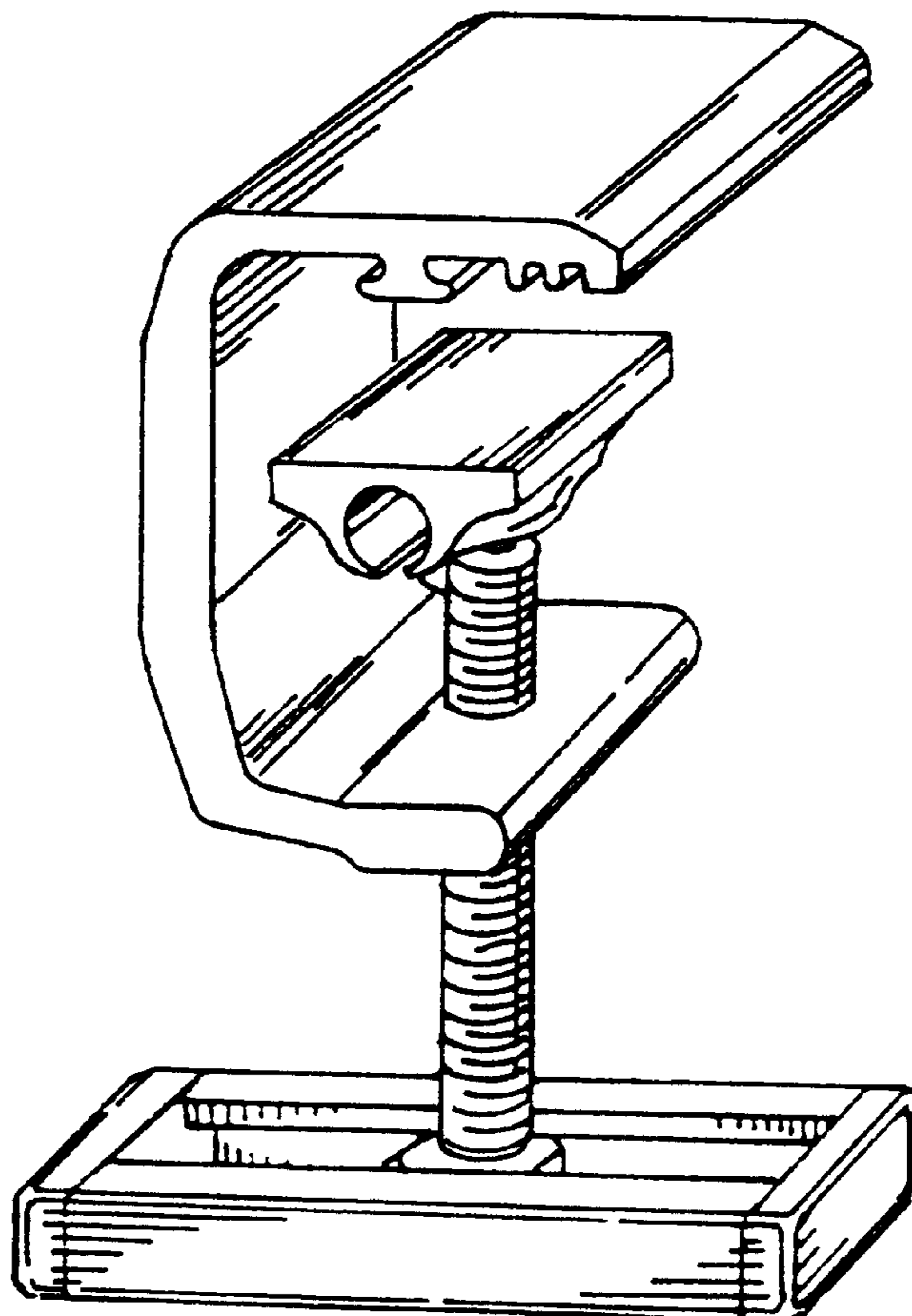
(57) **CLAIM**

The ornamental design for a clamp, as shown and described.

DESCRIPTION

FIG. 1 is a perspective view of a clamp showing my new design;
 FIG. 2 is a side view thereof, the other side view being a mirror image thereof;
 FIG. 3 is a front view thereof;
 FIG. 4 is a rear view thereof;
 FIG. 5 is a top view thereof; and,
 FIG. 6 is a bottom view thereof.

1 Claim, 2 Drawing Sheets



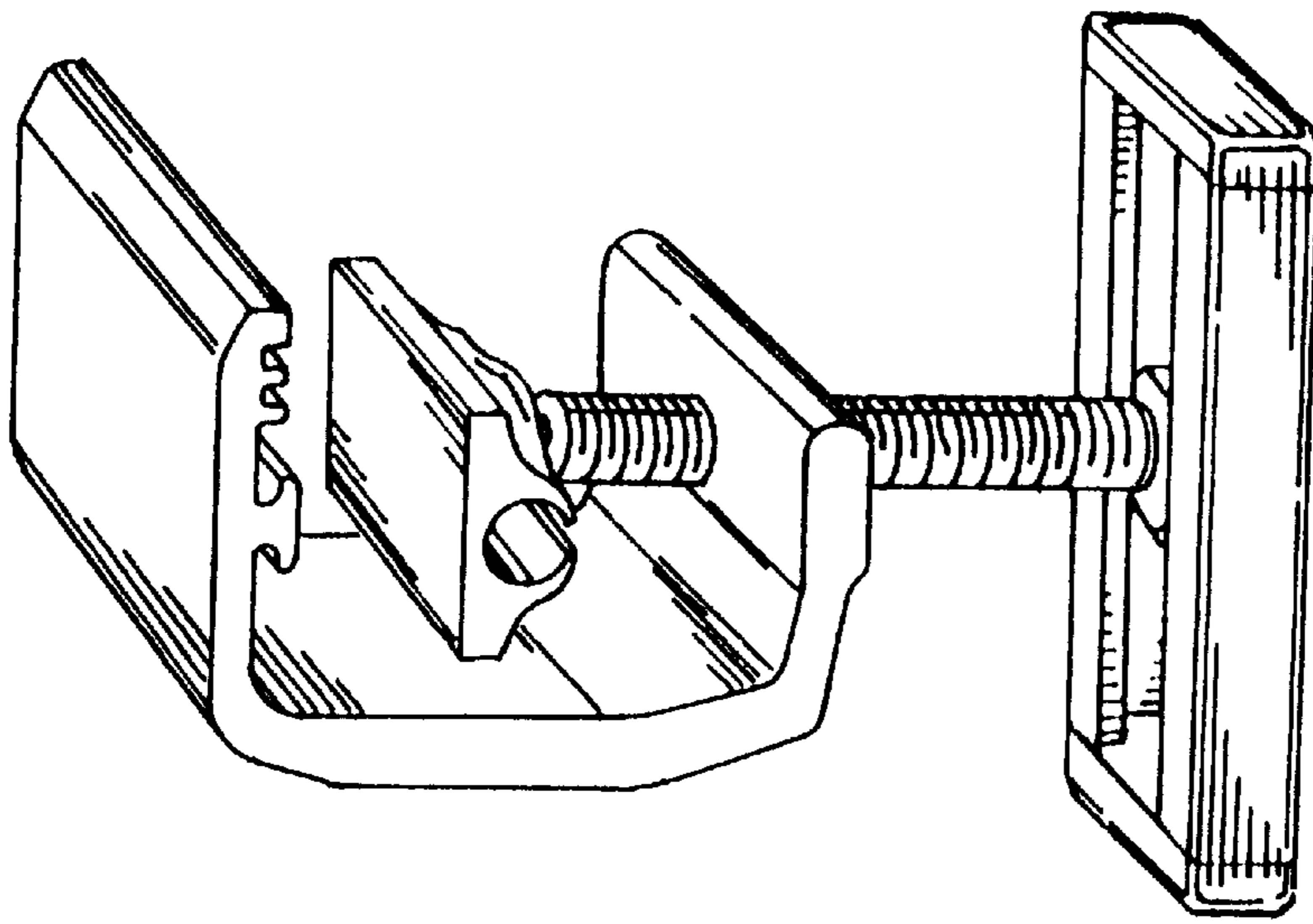


FIG. 1

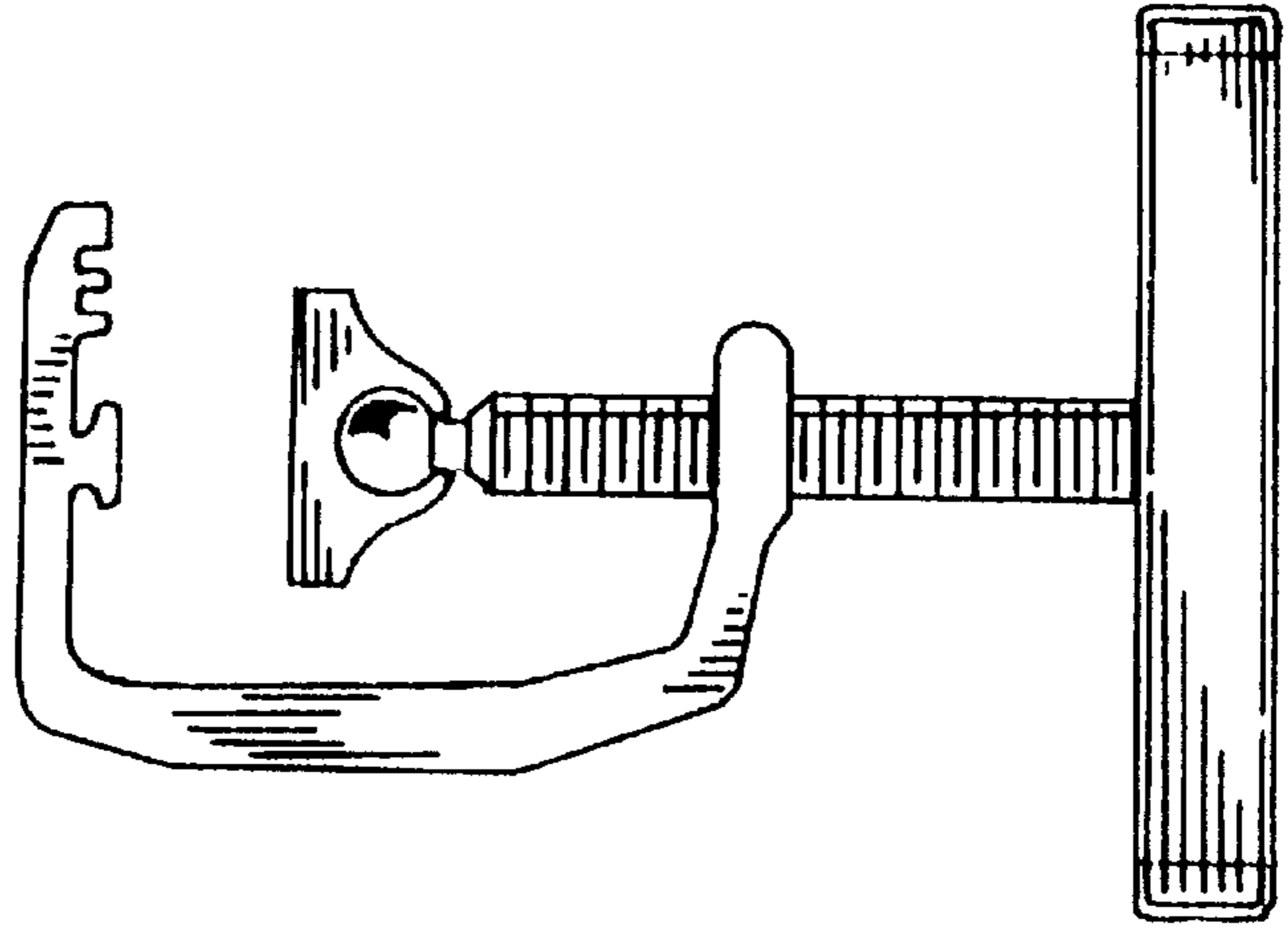


FIG. 2

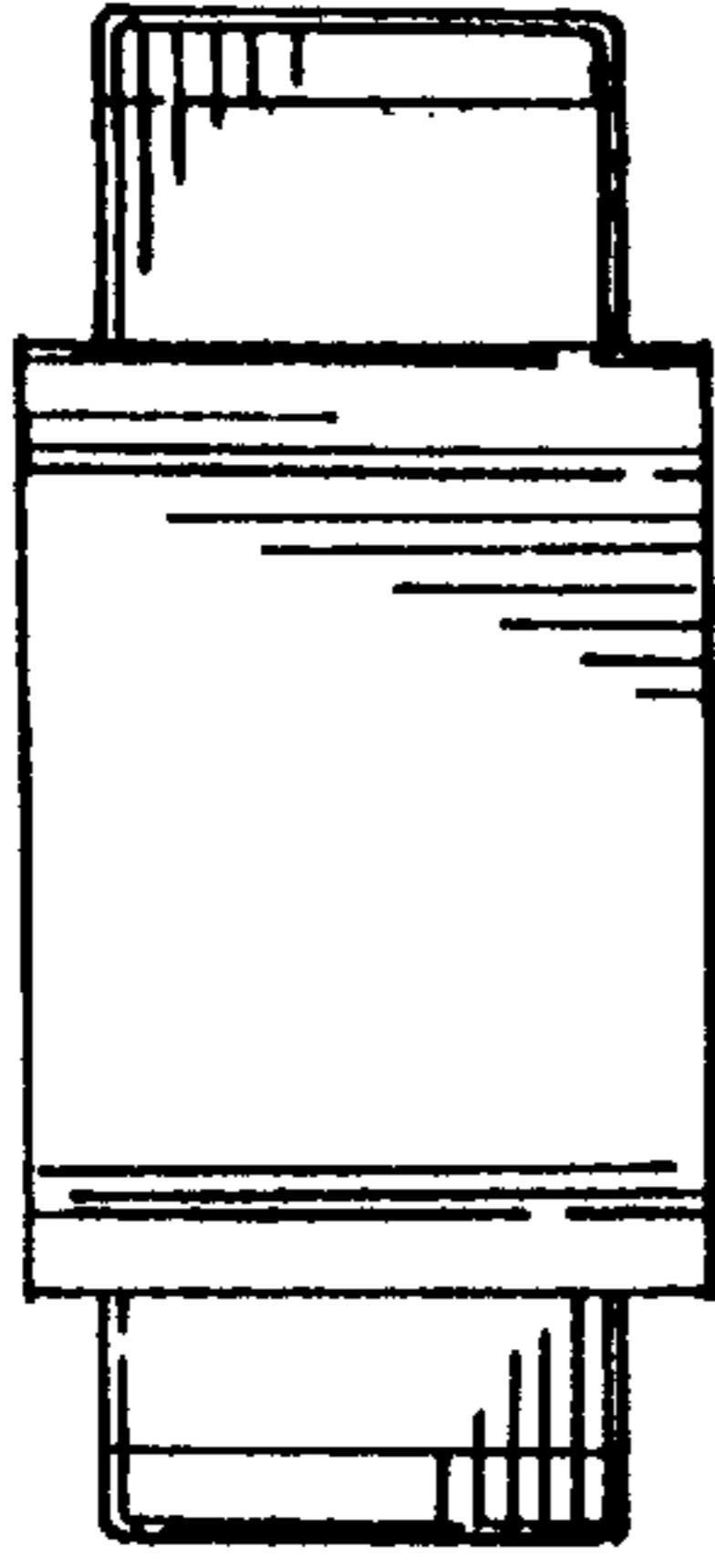


FIG. 5

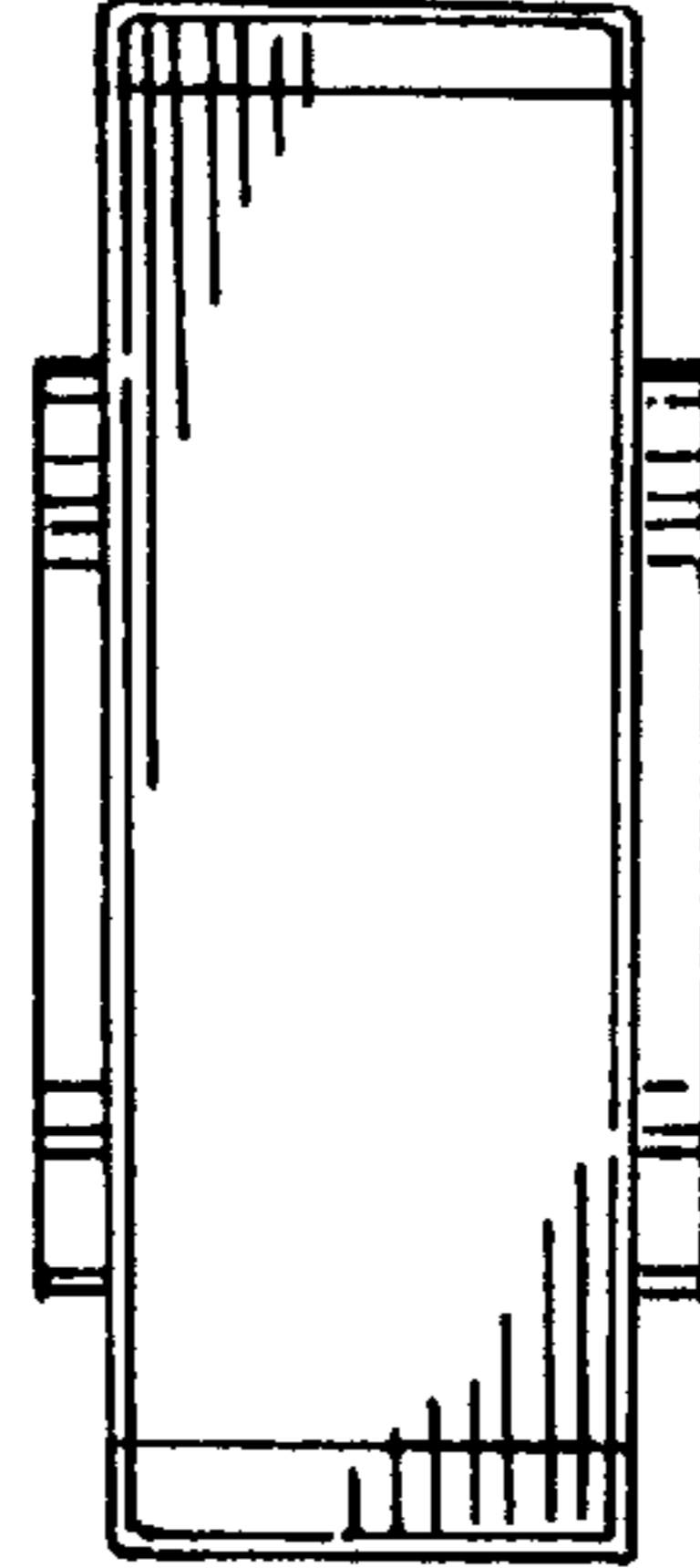


FIG. 6

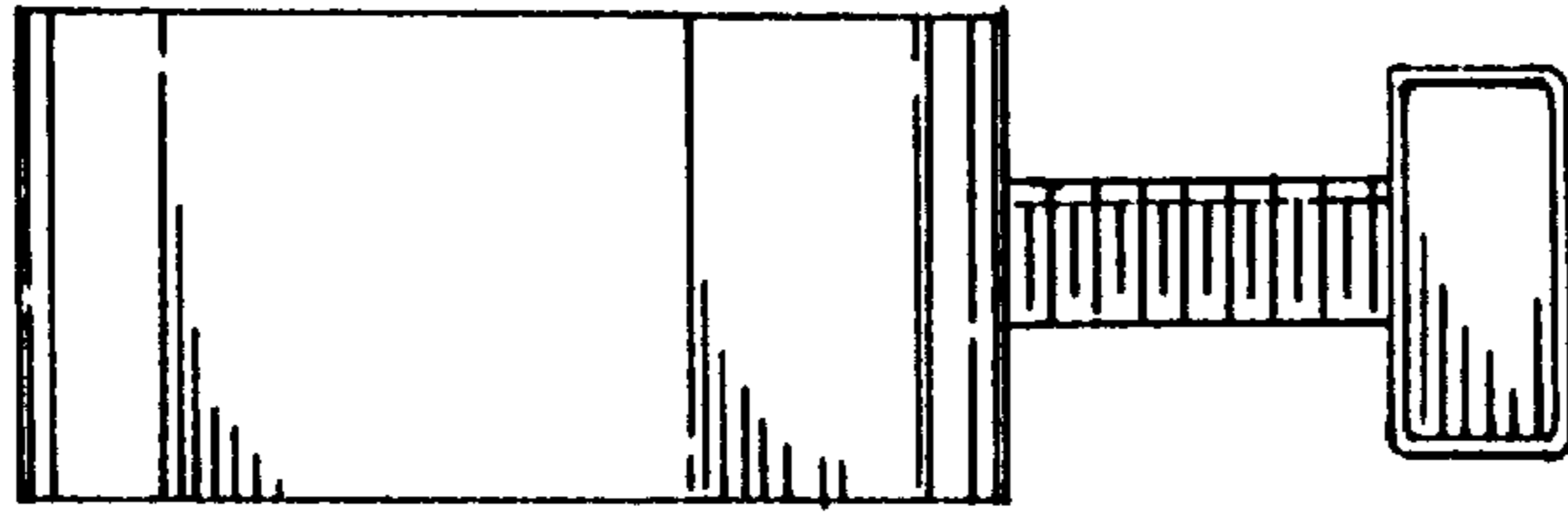


FIG. 4

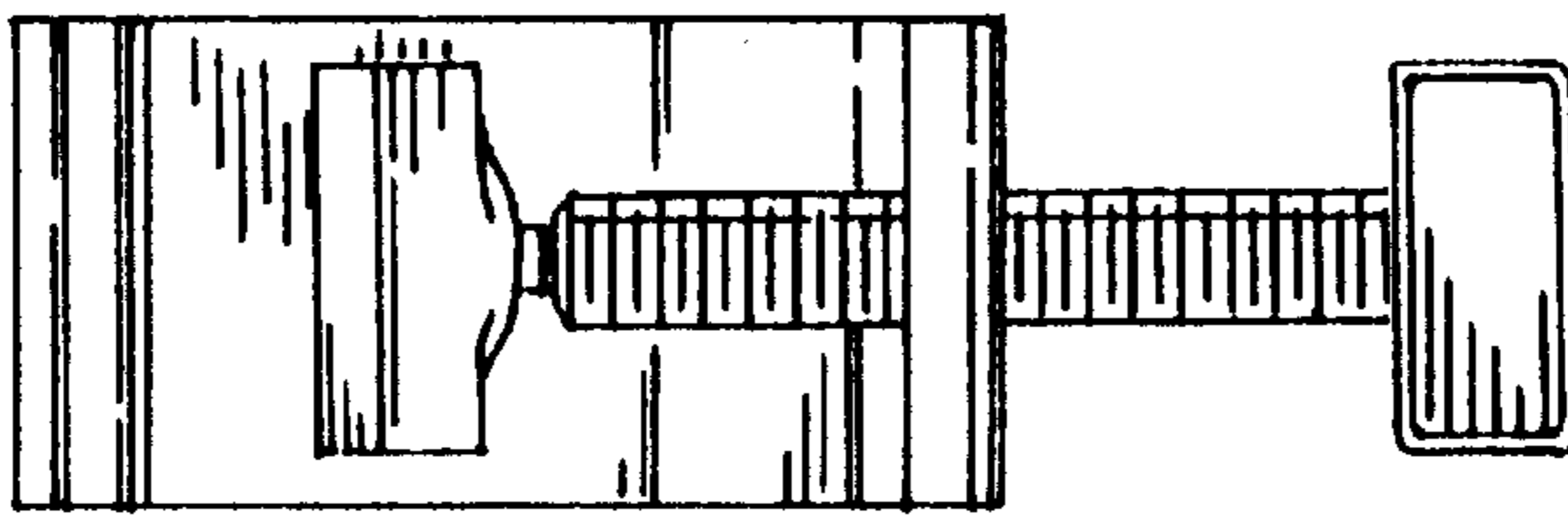


FIG. 3