



US00D435770S

(12) **United States Design Patent**
Arai

(10) **Patent No.:** **US D435,770 S**

(45) **Date of Patent:** **** Jan. 2, 2001**

(54) **PNEUMATIC NAILING MACHINE**

(75) Inventor: **Masakazu Arai**, Tokyo (JP)

(73) Assignee: **Max Co., Ltd.**, Tokyo (JP)

(**) Term: **14 Years**

(21) Appl. No.: **29/119,826**

(22) Filed: **Mar. 9, 2000**

(51) **LOC (7) Cl.** **08-03**

(52) **U.S. Cl.** **D8/68**

(58) **Field of Search** D8/61, 68; 227/2,
227/8, 111-115, 120, 130, 136

(56) **References Cited**

U.S. PATENT DOCUMENTS

- D. 316,022 * 4/1991 Morsht D8/69
- D. 396,178 * 7/1998 Hattori D8/68
- D. 408,250 * 7/1998 Matsuoka et al. D8/68

* cited by examiner

Primary Examiner—Antoine Duval Davis

(74) *Attorney, Agent, or Firm*—Morgan, Lewis & Bockius LLP

(57) **CLAIM**

The ornamental design for a pneumatic nailing machine, as shown and described.

DESCRIPTION

FIG. 1 is a front perspective view of a pneumatic nailing machine showing my new design; FIG. 2 is a front elevational view thereof; FIG. 3 is a rear elevational view thereof; FIG. 4 is a right side elevational view thereof; FIG. 5 is a left side elevational view thereof; FIG. 6 is a top plan view thereof; and, FIG. 7 is a bottom plan view thereof.

1 Claim, 5 Drawing Sheets

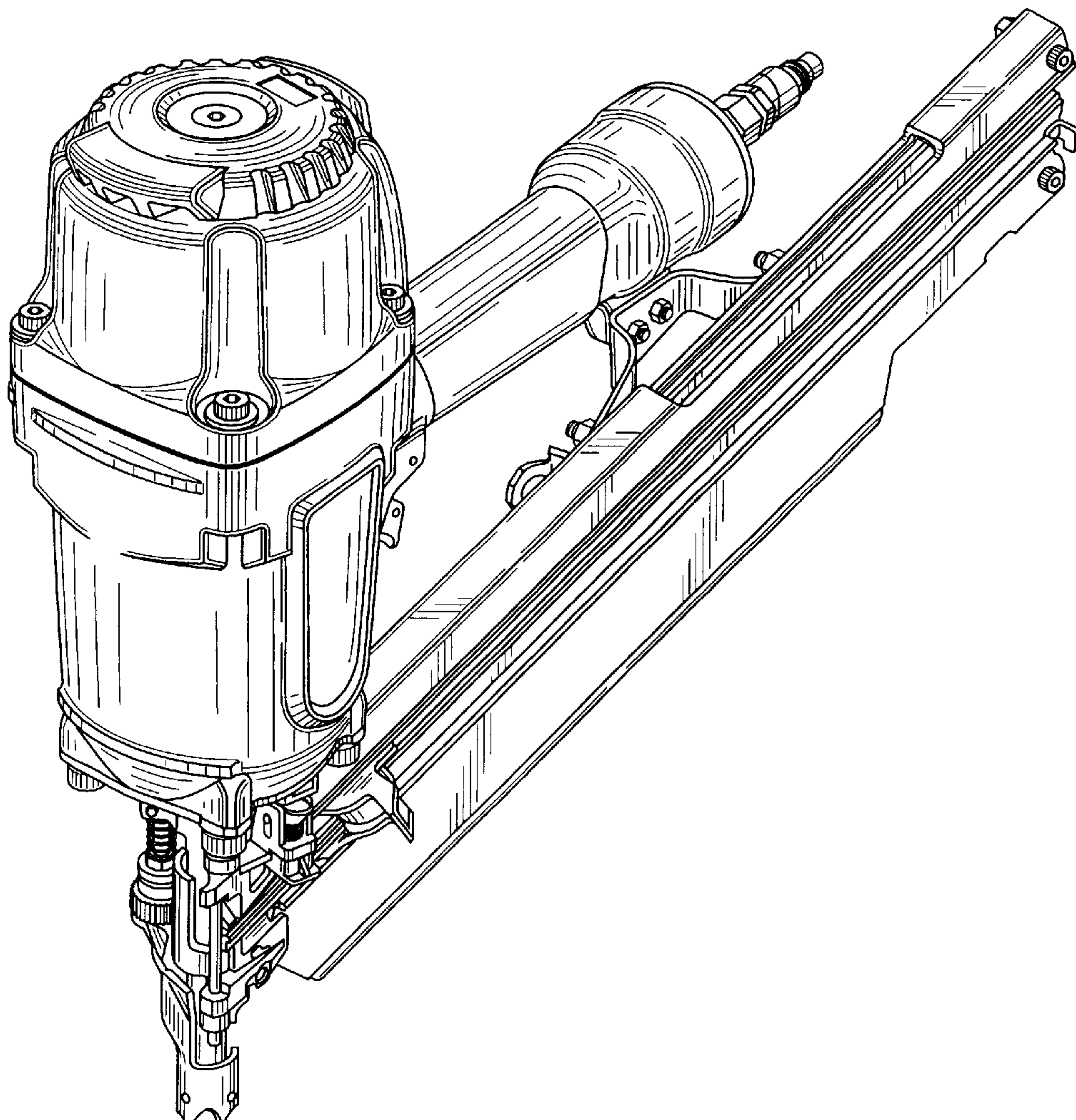


FIG. 1

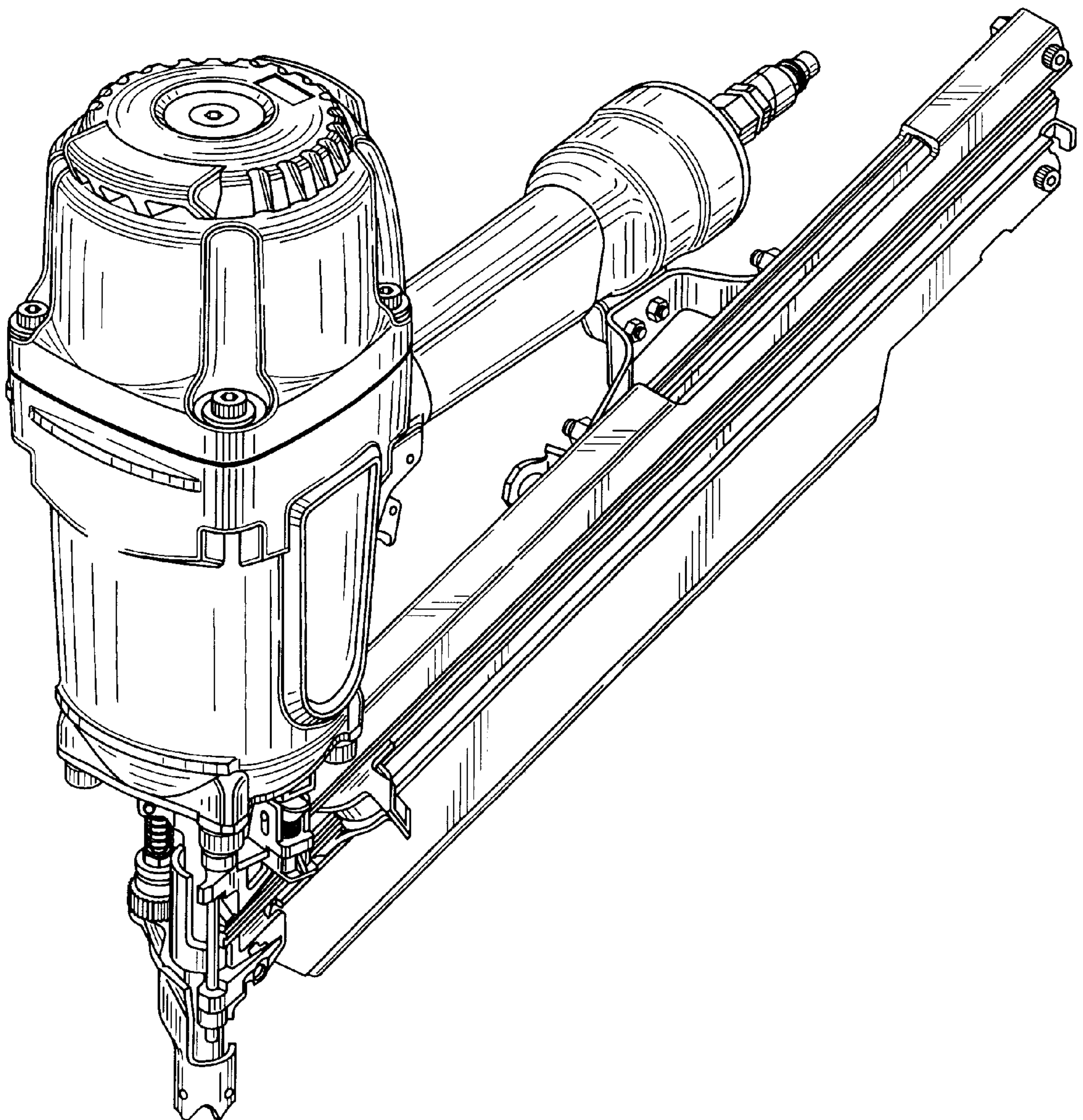


FIG. 2

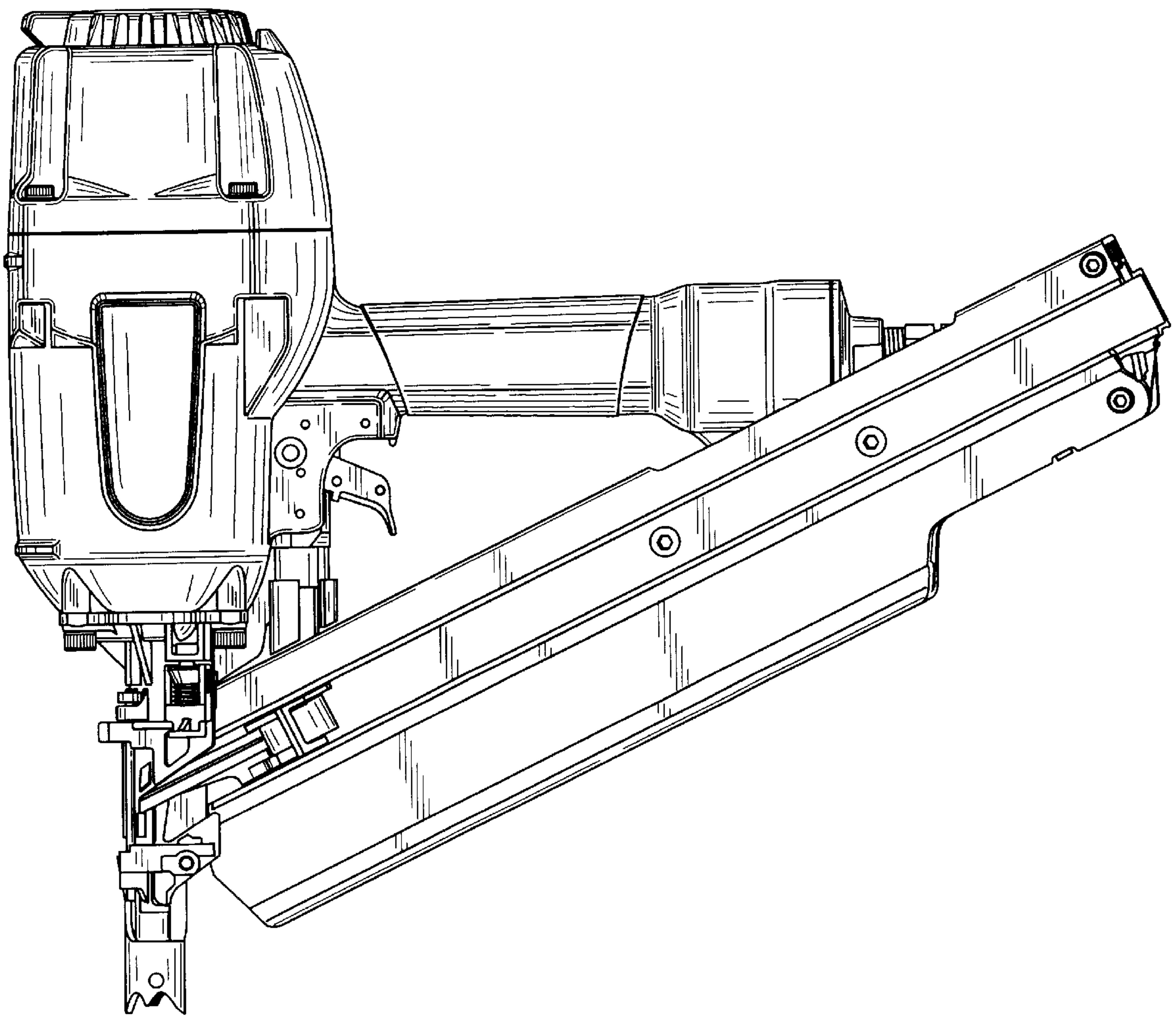


FIG. 3

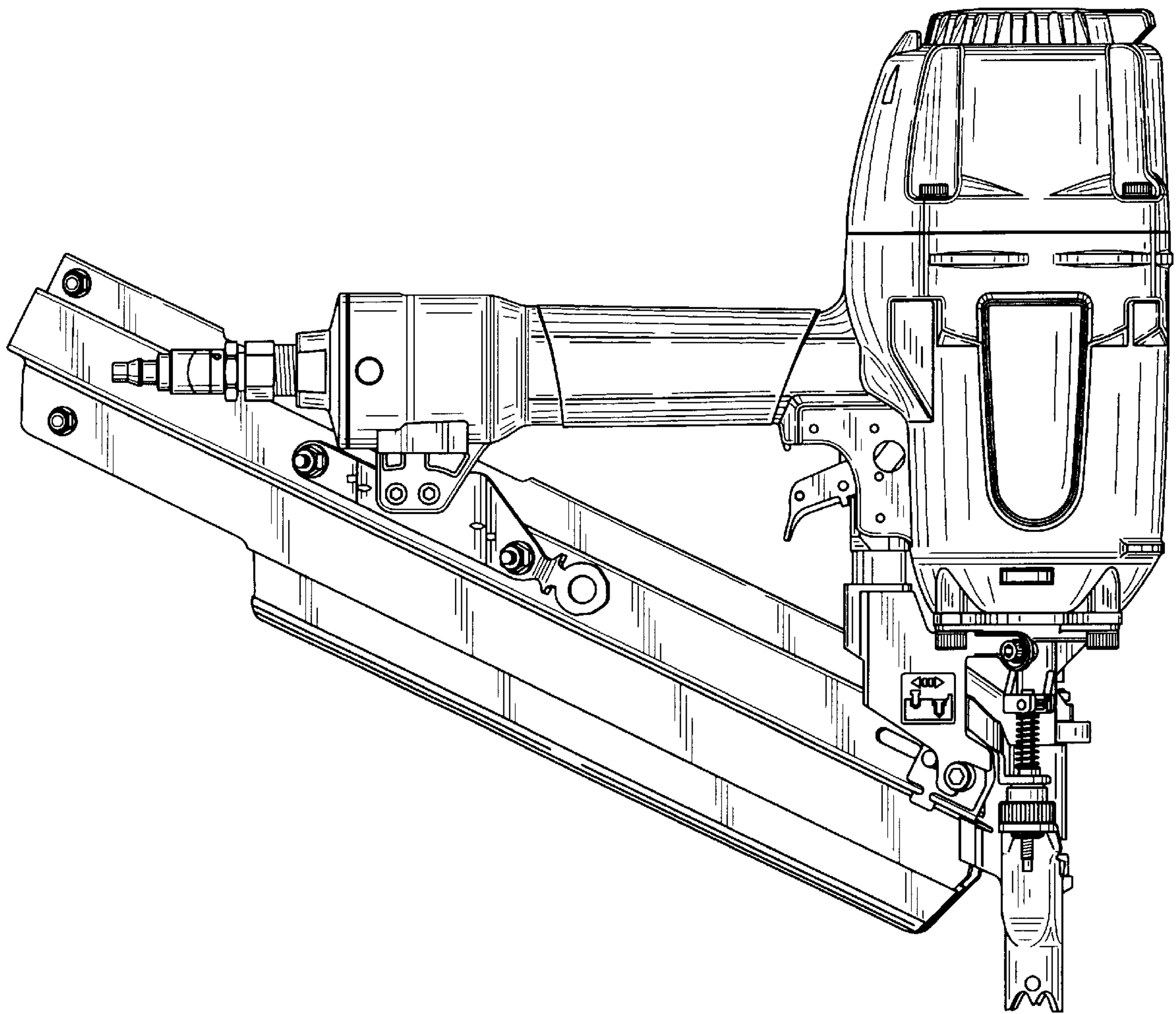


FIG. 4

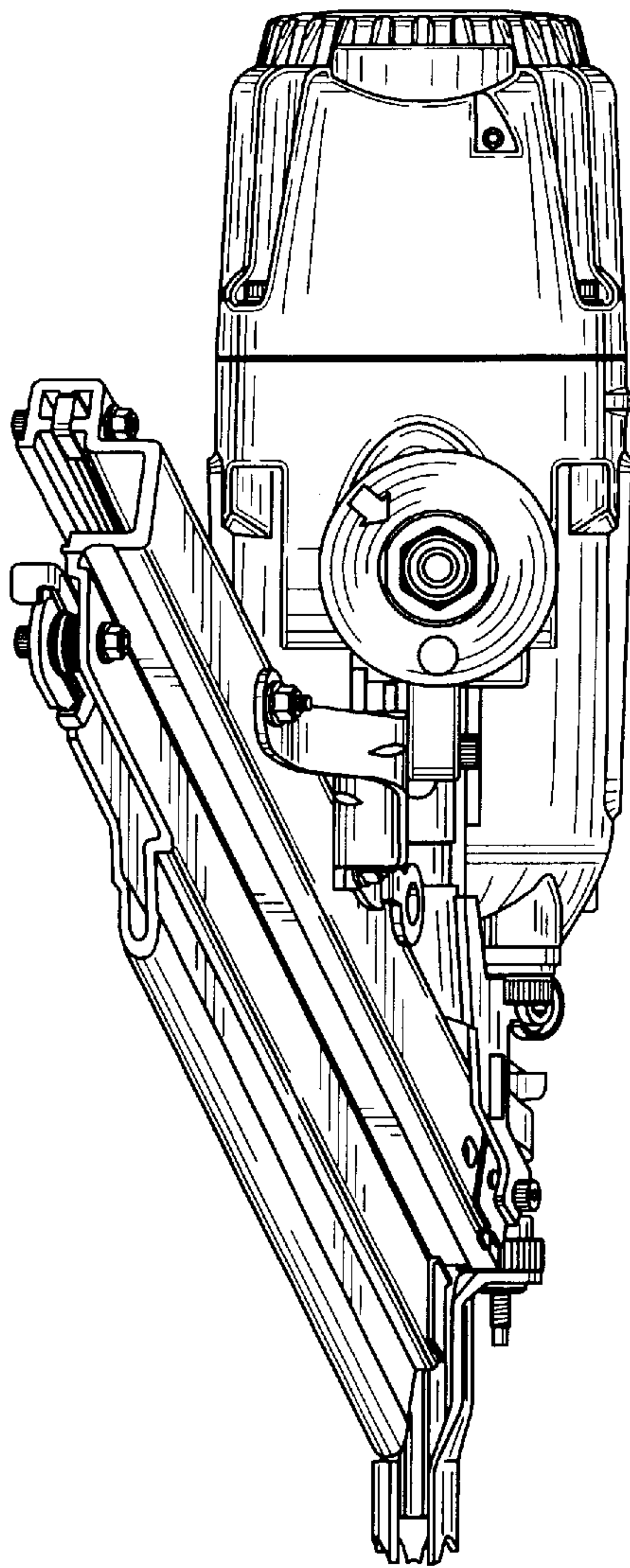


FIG. 5

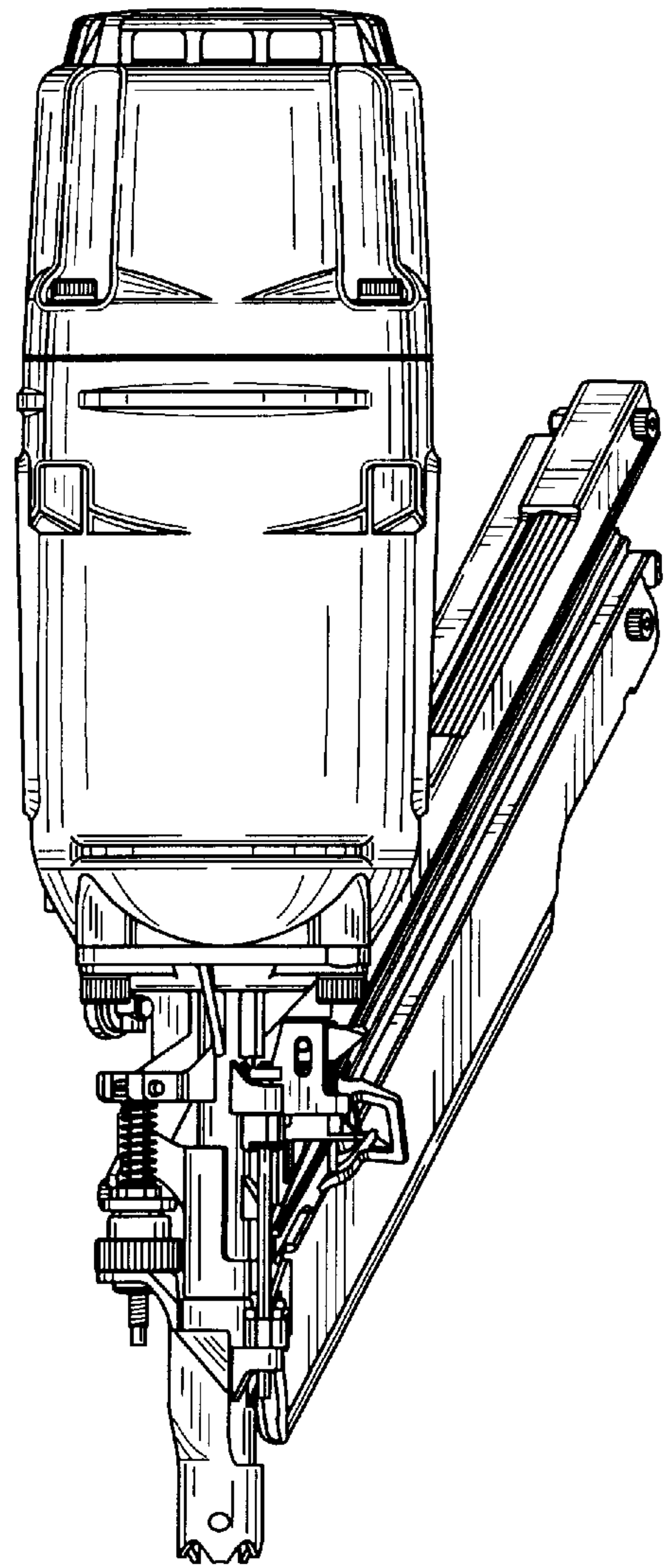


FIG. 6

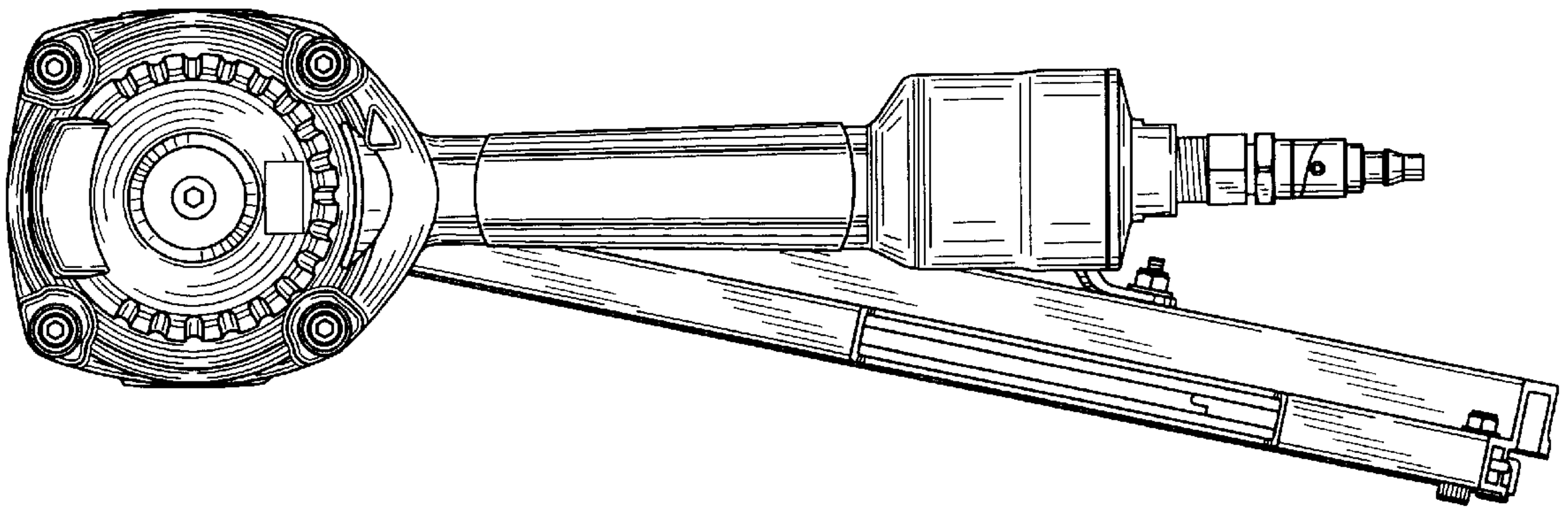


FIG. 7

